



US00D848575S

(12) **United States Design Patent**
Garland

(10) **Patent No.:** **US D848,575 S**

(45) **Date of Patent:** **** May 14, 2019**

(54) **FAUCET**

(71) Applicant: **DELTA FAUCET COMPANY,**
Indianapolis, IN (US)

(72) Inventor: **Celine Kwok Garland,** Zionsville, IN
(US)

(73) Assignee: **DELTA FAUCET COMPANY,**
Indianapolis, IN (US)

(**) Term: **15 Years**

(21) Appl. No.: **29/638,455**

(22) Filed: **Feb. 27, 2018**

(51) **LOC (11) Cl.** **23-01**

(52) **U.S. Cl.**
USPC **D23/242**

(58) **Field of Classification Search**
USPC D23/238–243, 249, 250, 252, 254;
D8/307–308
CPC Y10T 137/9464
See application file for complete search history.

(56) **References Cited**

U.S. PATENT DOCUMENTS

D517,655 S * 3/2006 Ogata D23/241
D601,227 S * 9/2009 Sieger D23/242

D659,803 S * 5/2012 Flowers D23/255
D664,238 S * 7/2012 Tang D23/238
D721,165 S * 1/2015 Downey D23/255
D723,663 S * 3/2015 Downey D23/238
D767,727 S * 9/2016 Eads D23/242
D809,630 S * 2/2018 Schoenherr D23/242

* cited by examiner

Primary Examiner — Robert A Delehanty

(74) *Attorney, Agent, or Firm* — Edgar A. Zarins; Nirav
D. Parikh

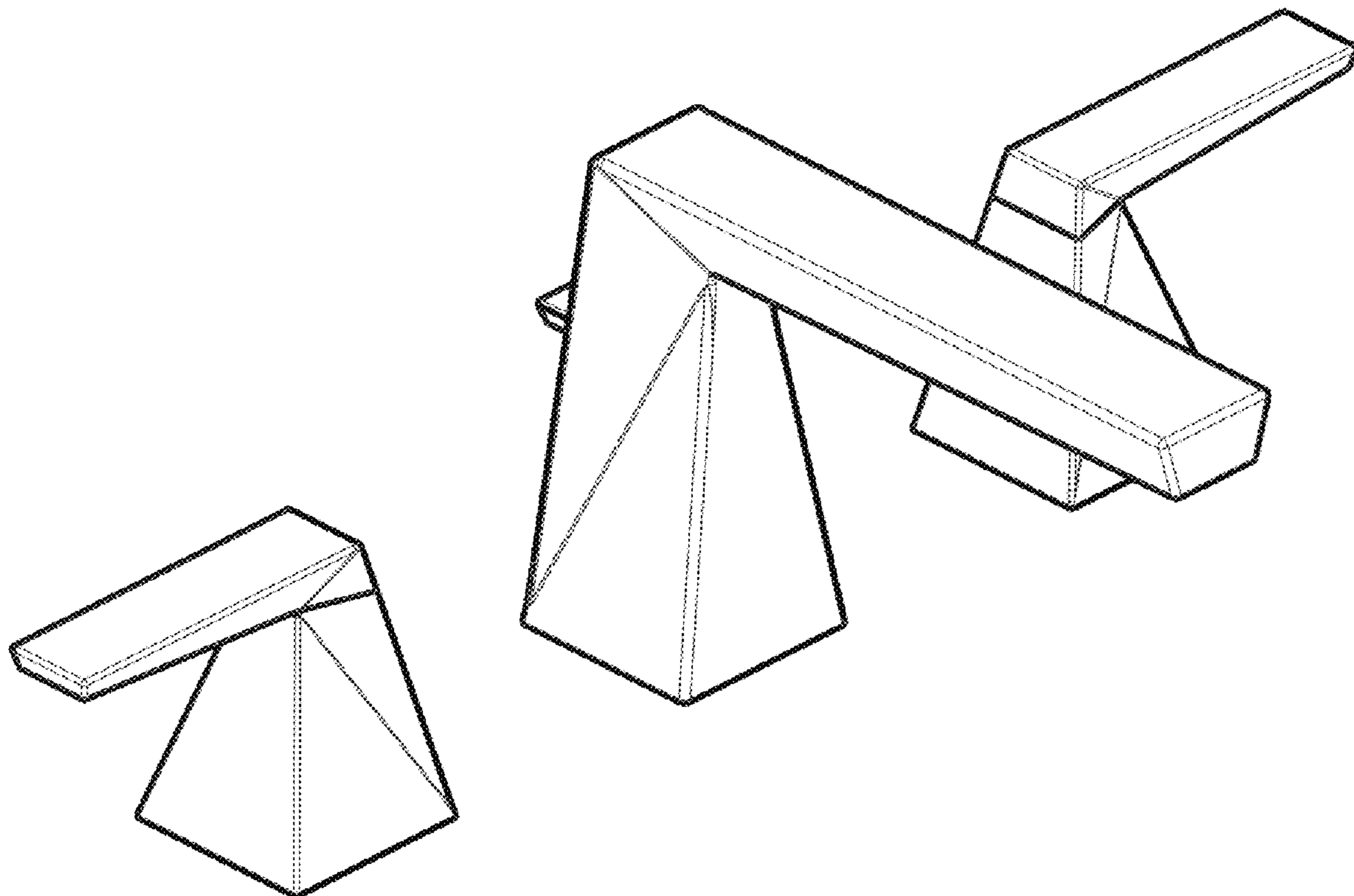
(57) **CLAIM**

The ornamental design for a faucet, as shown and described.

DESCRIPTION

FIG. 1 is a first perspective view of a faucet showing my new design;
FIG. 2 is a second perspective view thereof;
FIG. 3 is a front elevational view thereof;
FIG. 4 is a left side view thereof;
FIG. 5 is a rear view thereof;
FIG. 6 is a right side view thereof;
FIG. 7 is a top plan view thereof; and,
FIG. 8 is a bottom view thereof.

1 Claim, 4 Drawing Sheets



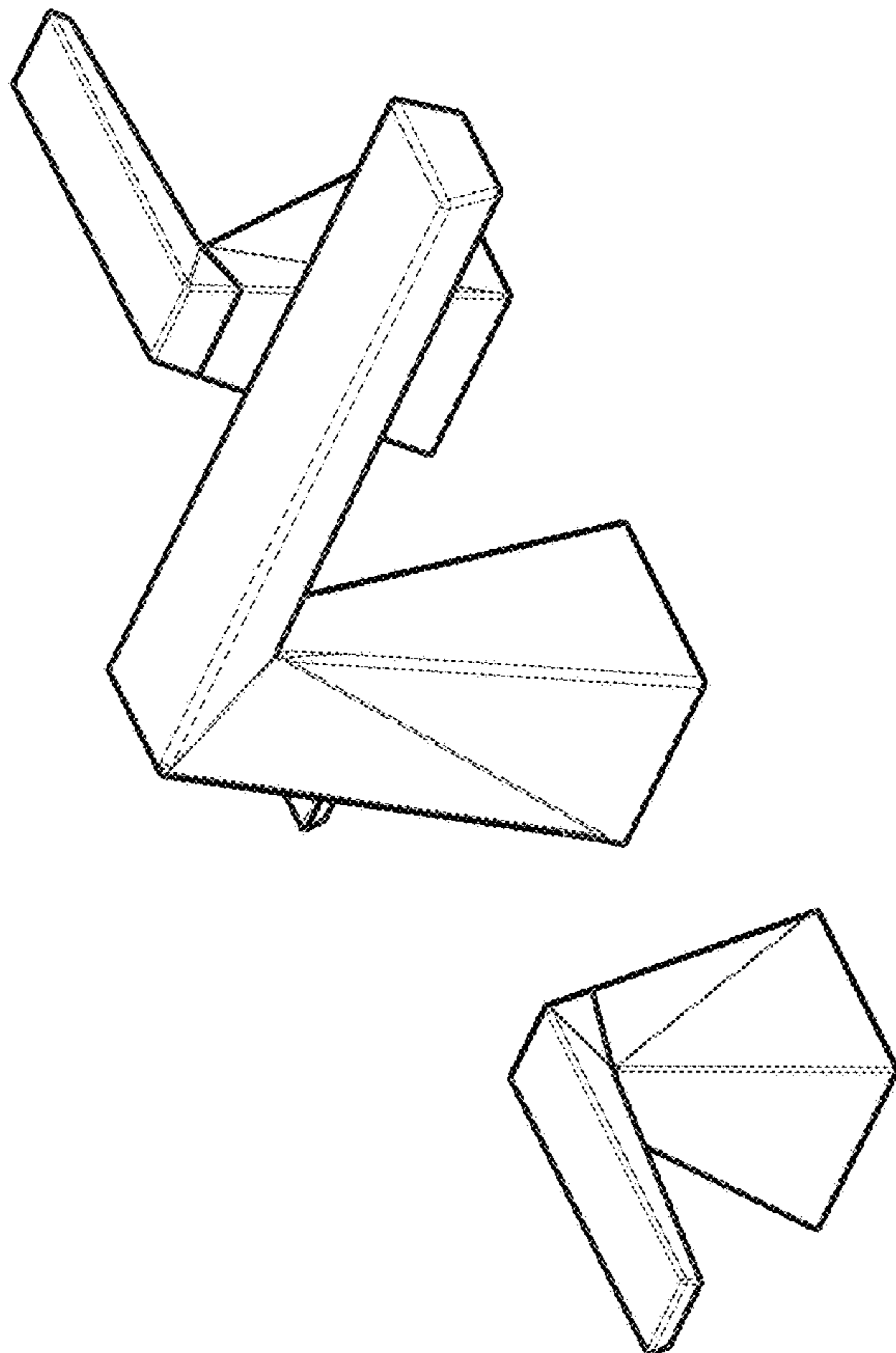
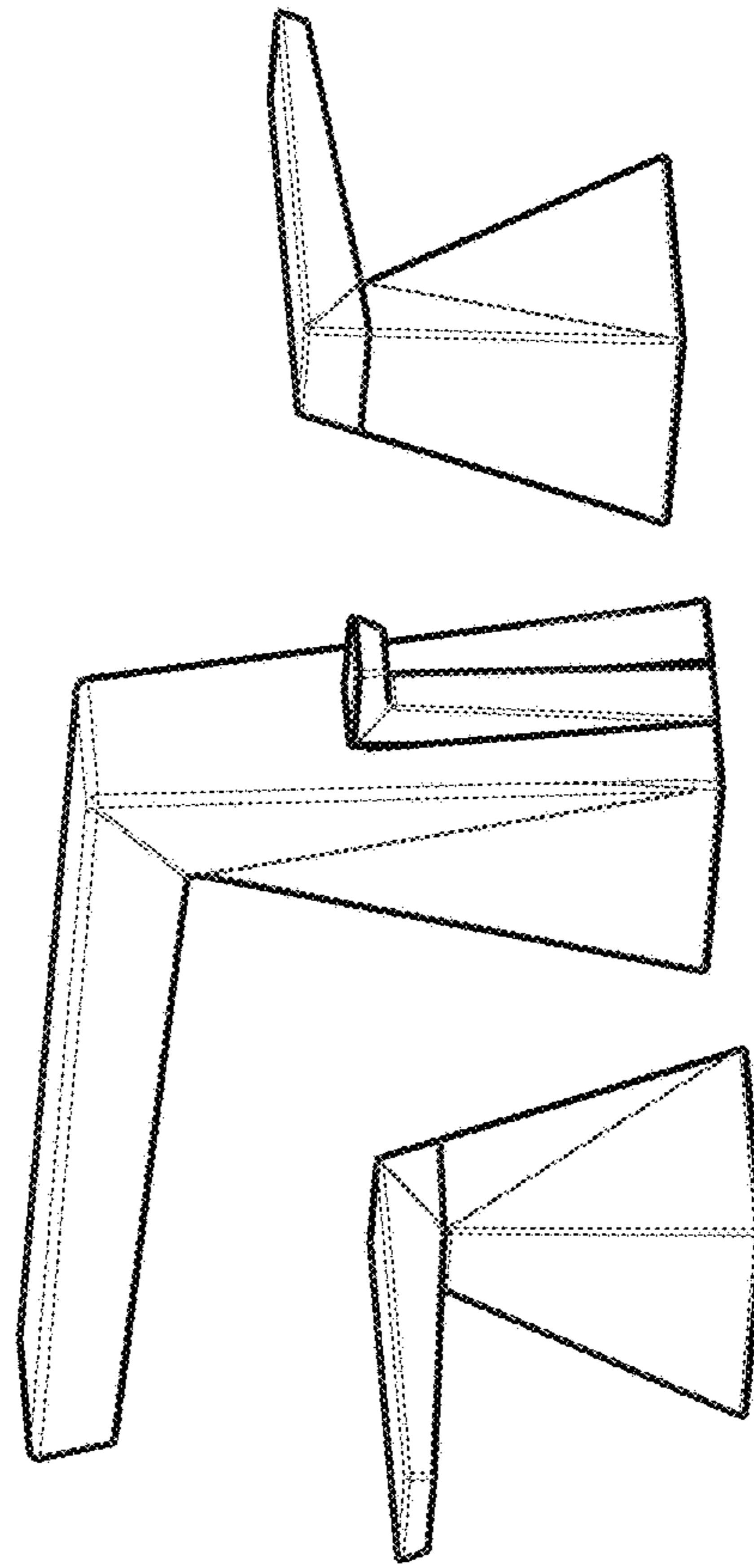


Fig. 1

Fig. 2



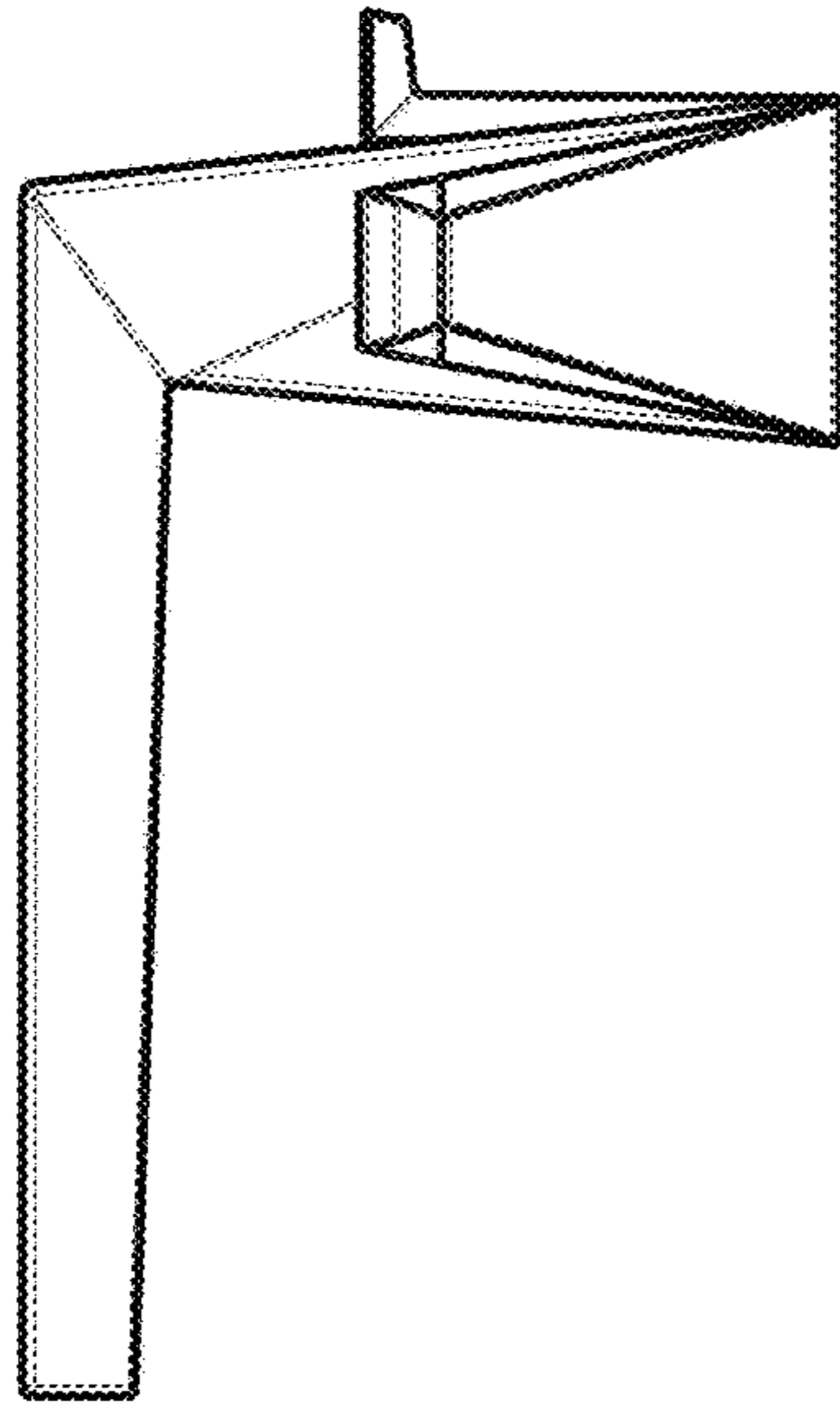


Fig. 4

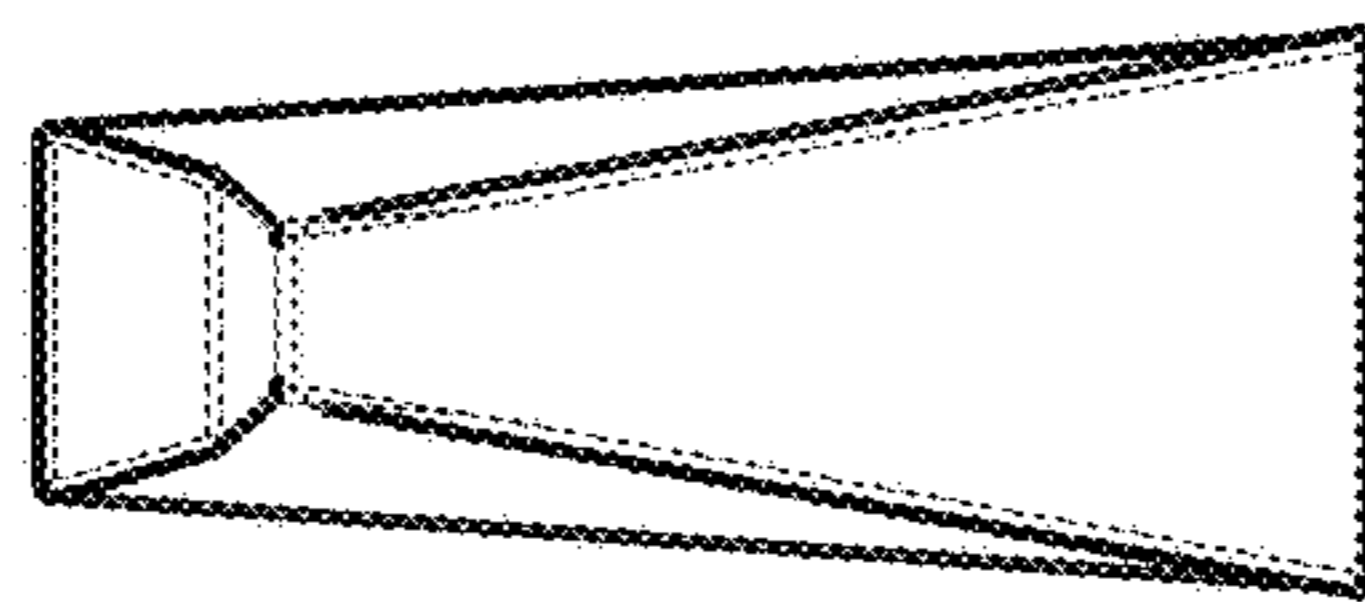
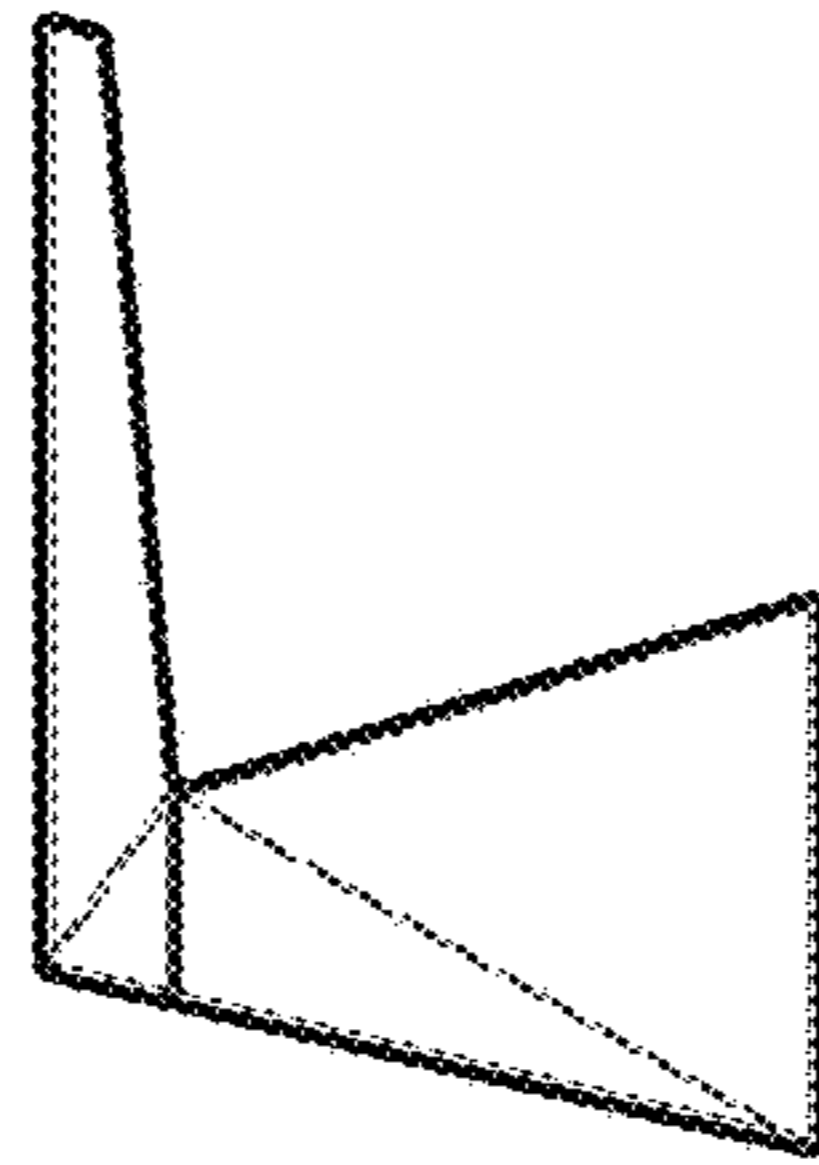
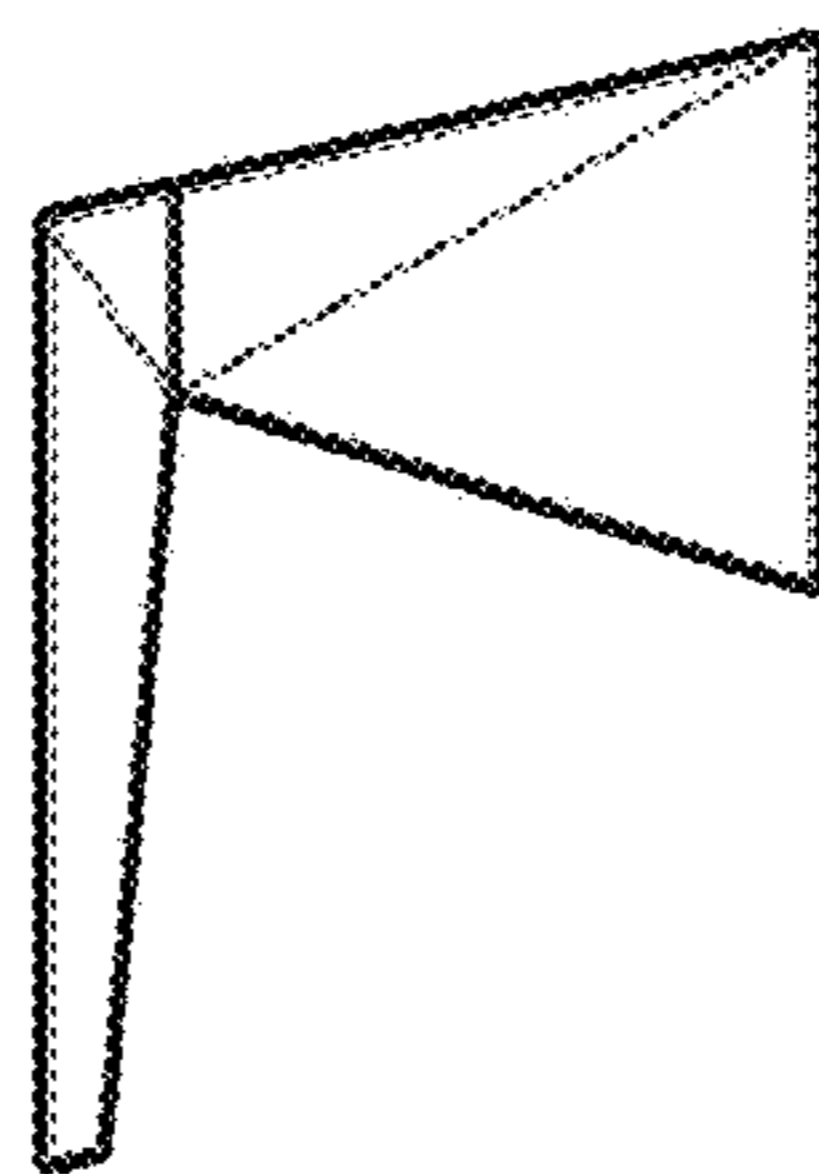


Fig. 3



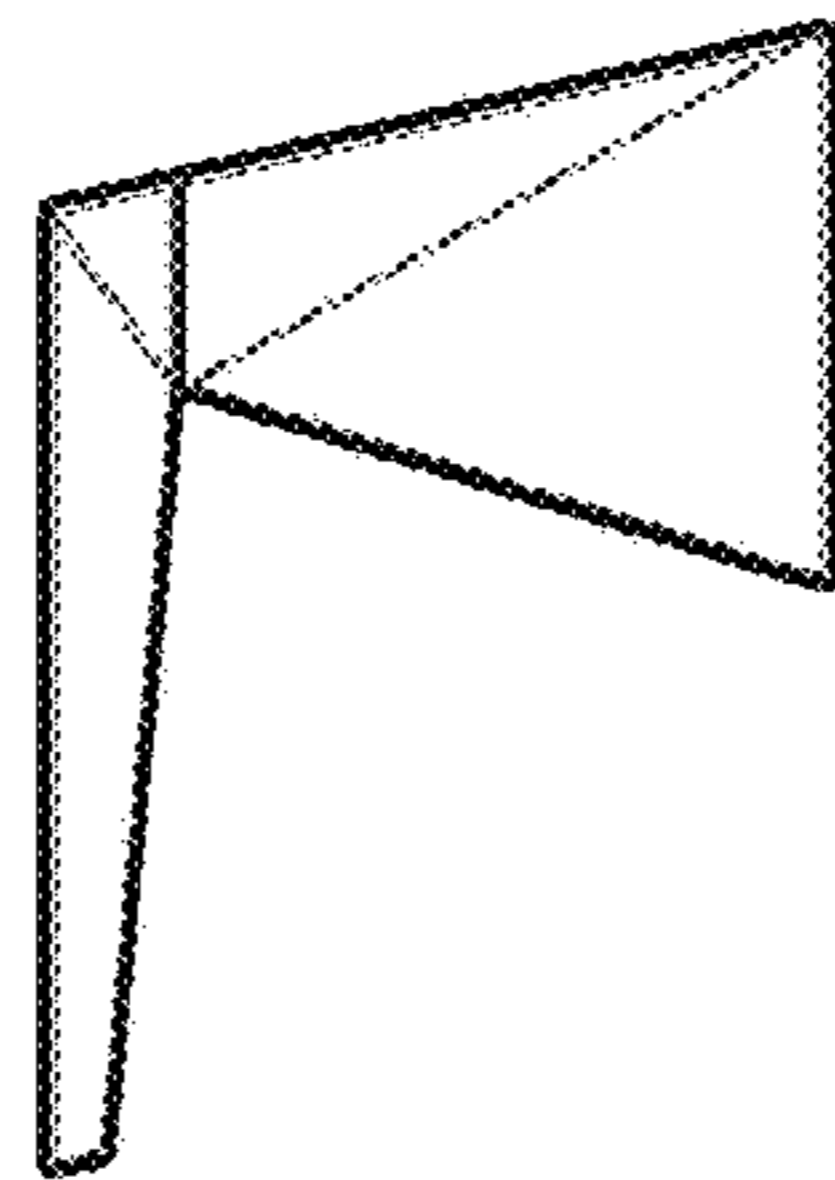
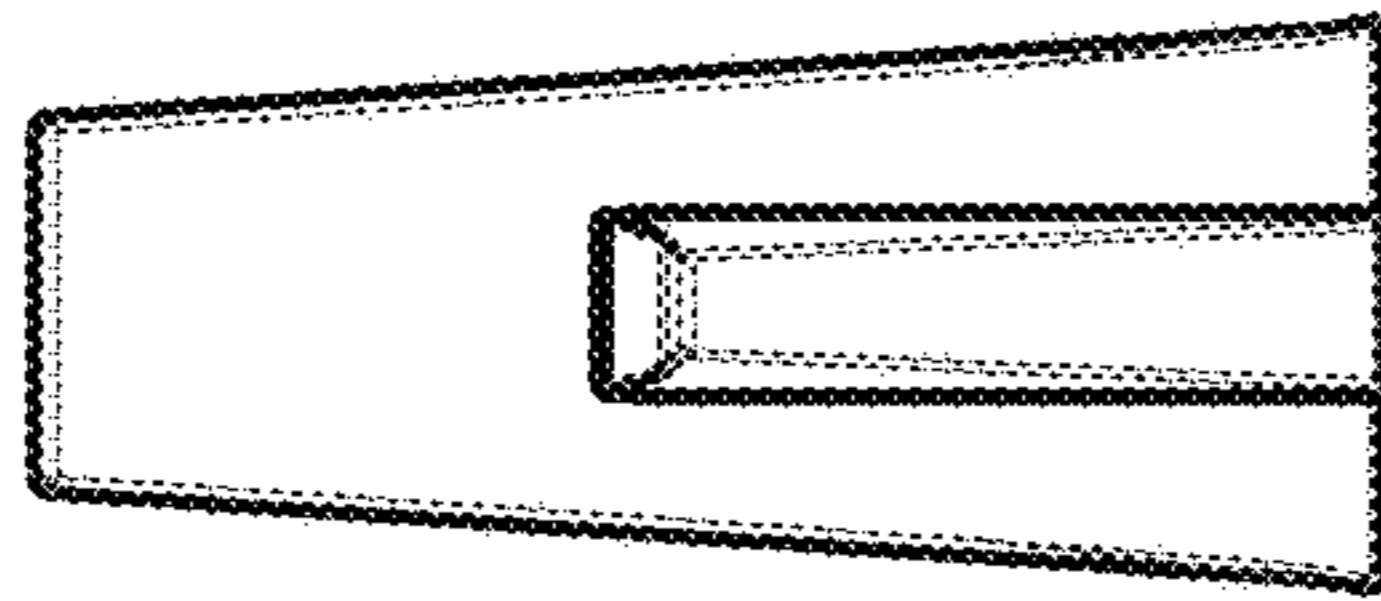
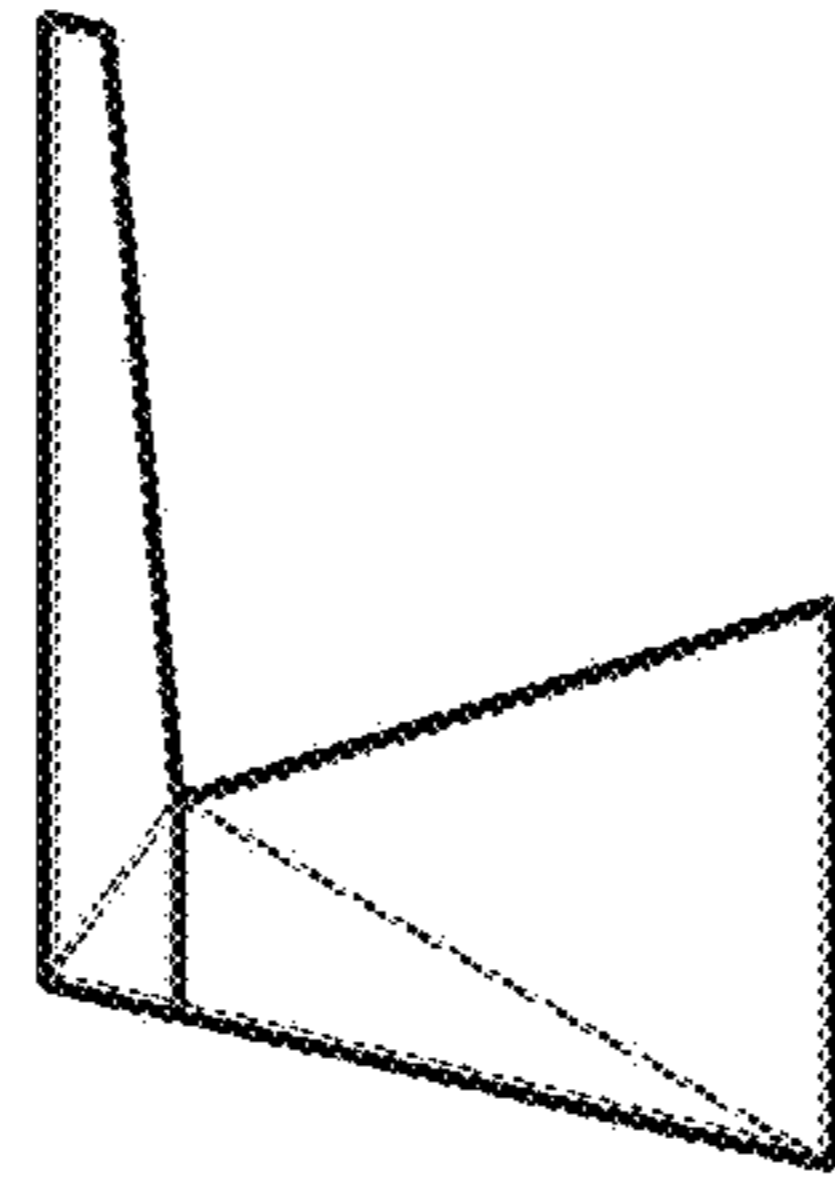
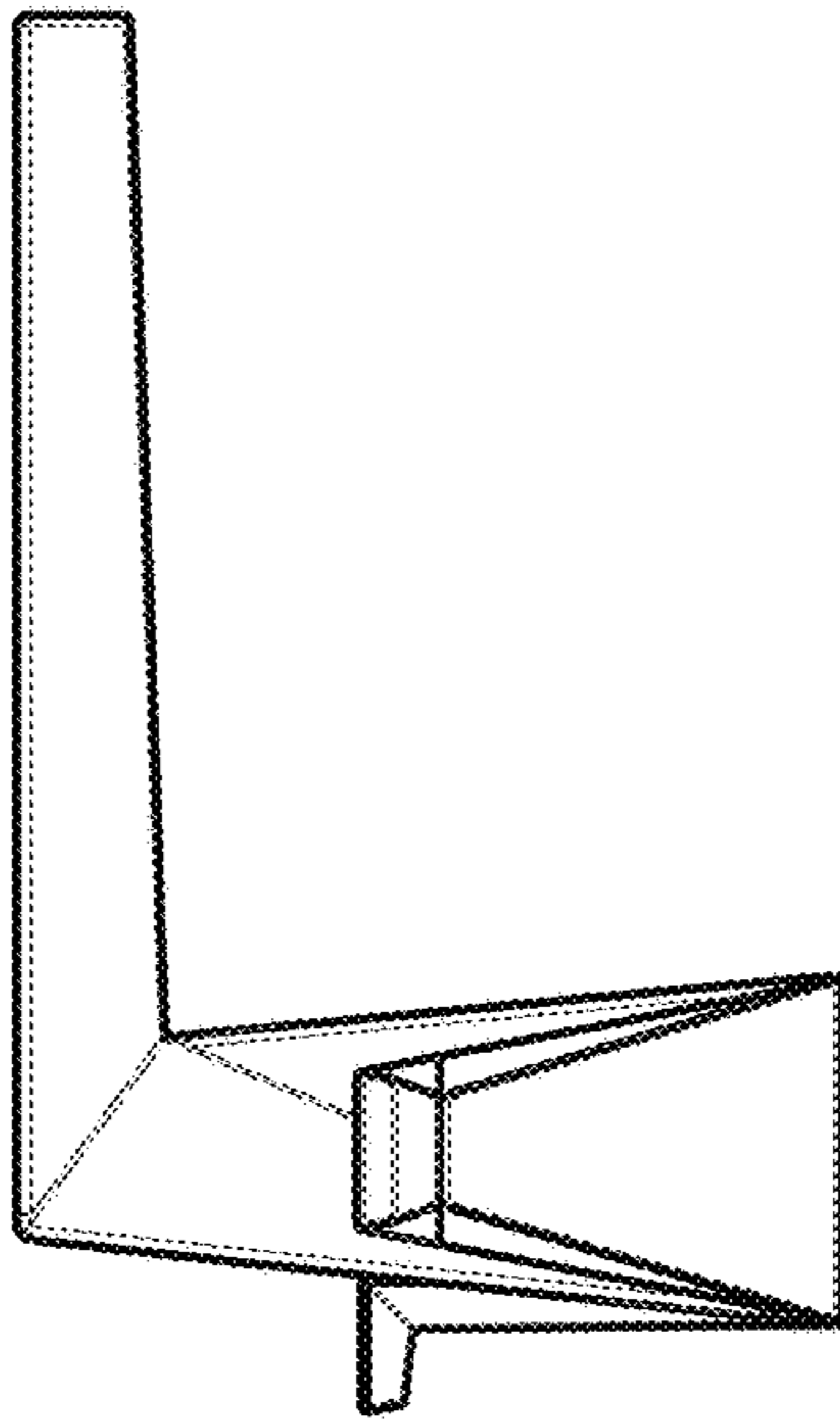


Fig. 6

Fig. 5

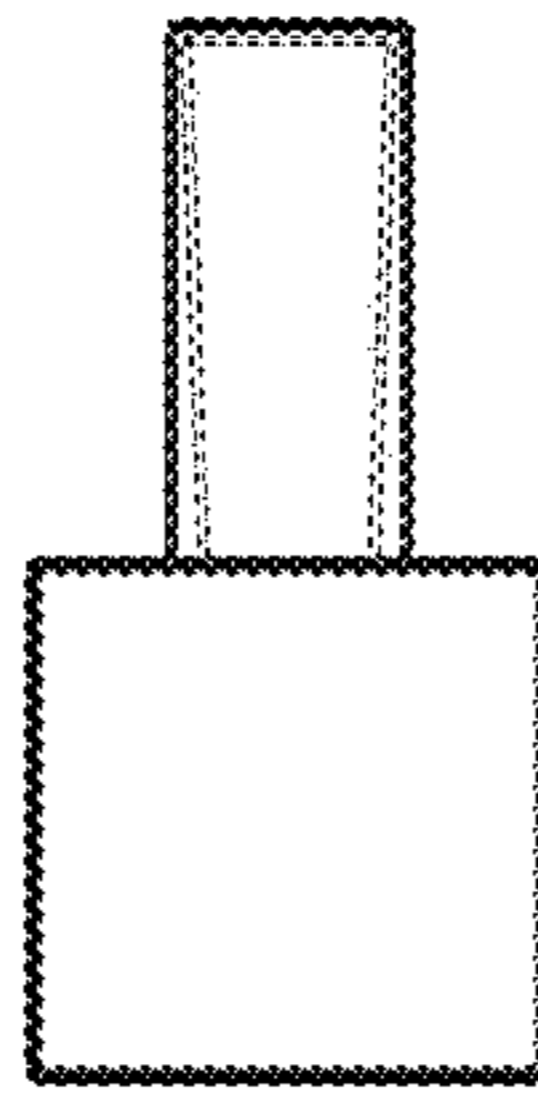


Fig. 8

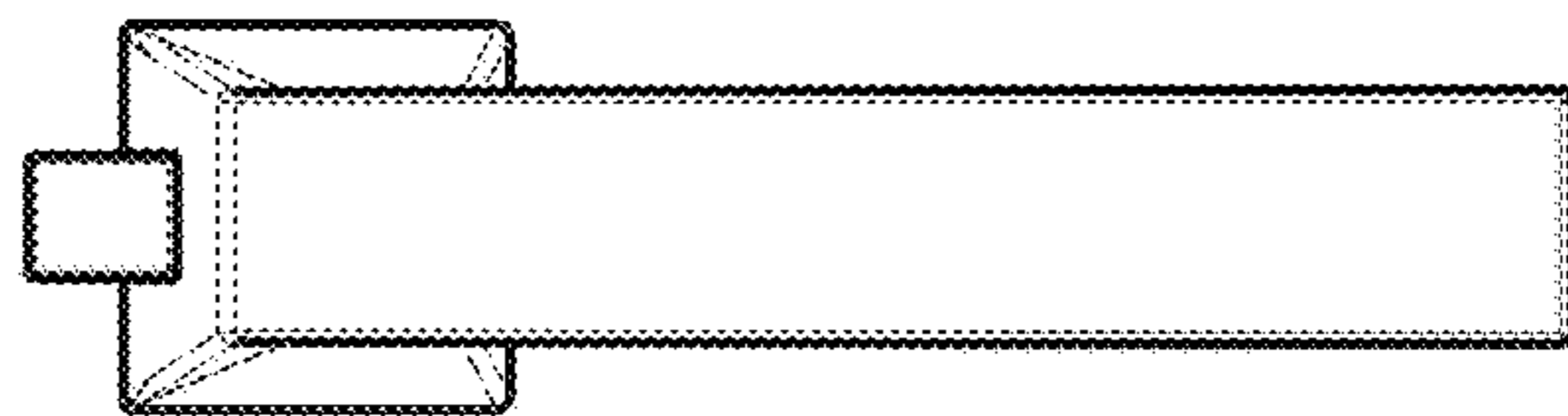
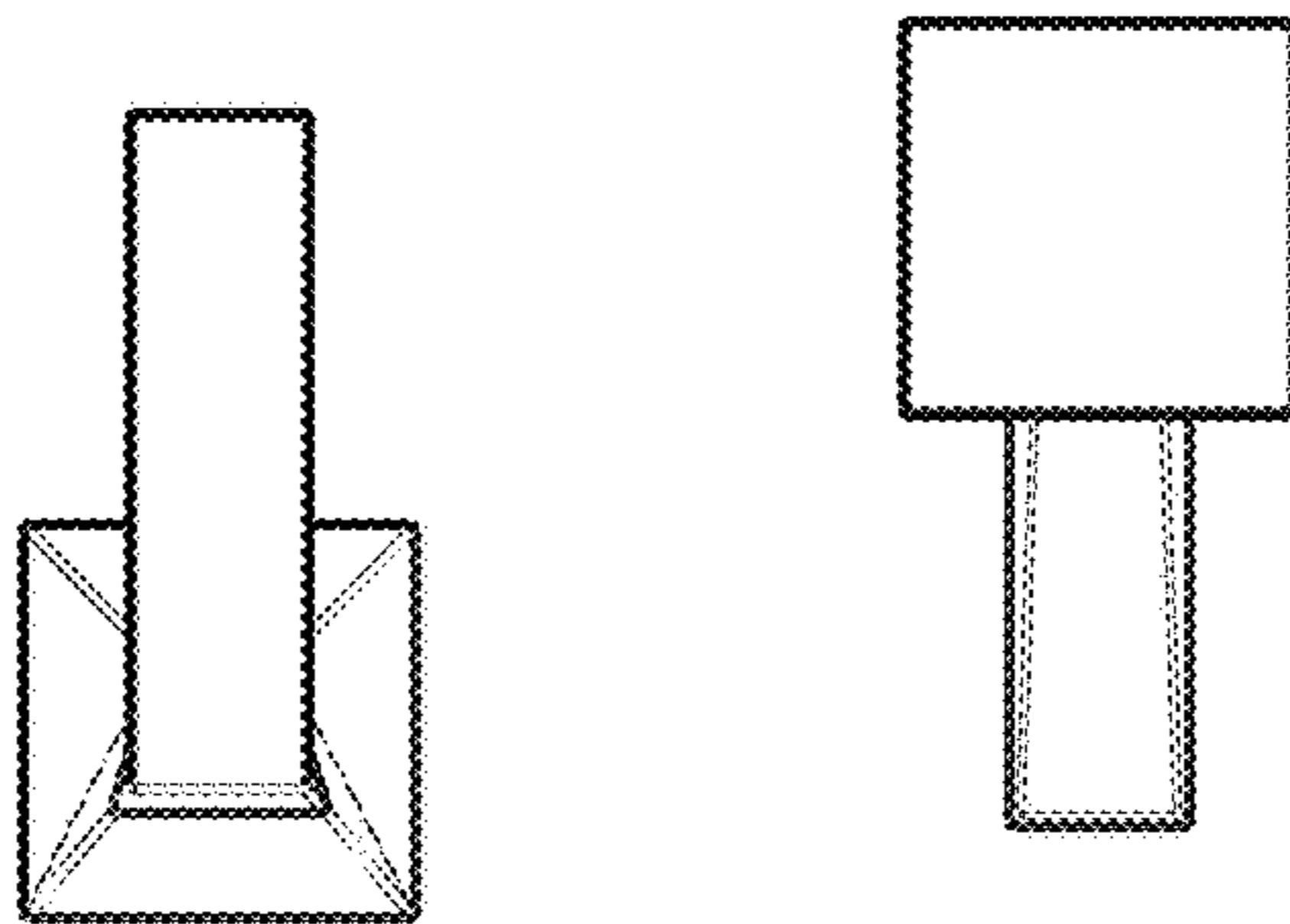
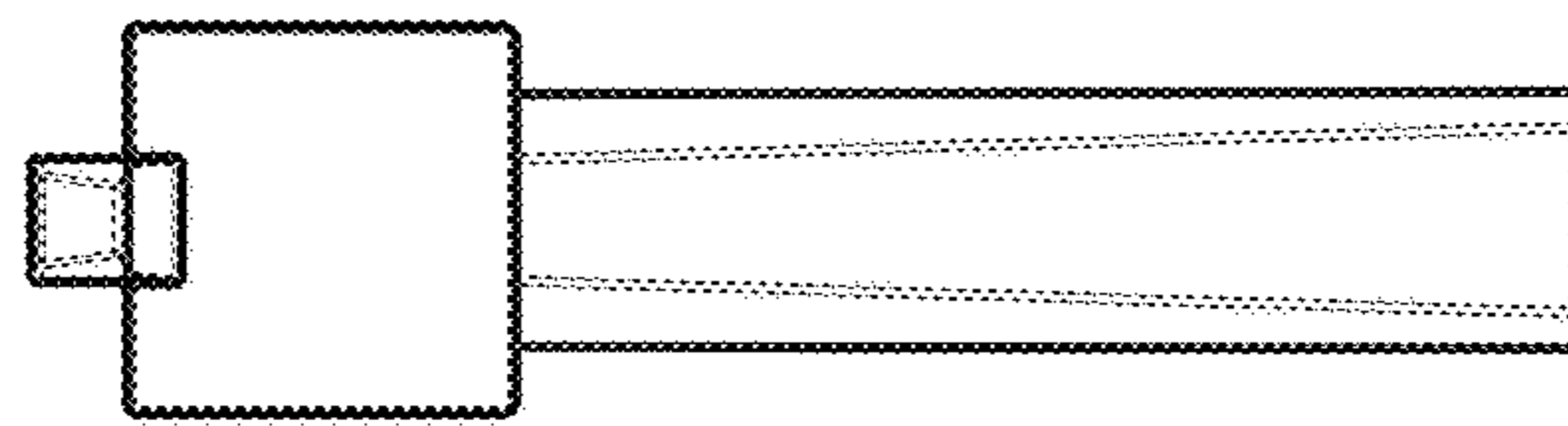


Fig. 7

