



US00D848573S

(12) **United States Design Patent**
Eads

(10) **Patent No.:** **US D848,573 S**

(45) **Date of Patent:** **** May 14, 2019**

(54) **FAUCET**

D318,518 S * 7/1991 Schmidt D23/238
D759,205 S * 6/2016 Eads D23/238
D828,514 S * 9/2018 Ryu D23/238

(71) Applicant: **DELTA FAUCET COMPANY,**
Indianapolis, IN (US)

* cited by examiner

(72) Inventor: **Thad Eads,** Urbana, IN (US)

Primary Examiner — Robert A Delehanty

(73) Assignee: **DELTA FAUCET COMPANY,**
Indianapolis, IN (US)

(74) *Attorney, Agent, or Firm* — Edgar A. Zarins; Nirav
D. Parikh

(**) Term: **15 Years**

(21) Appl. No.: **29/617,643**

(57) **CLAIM**

The ornamental design for a faucet, as shown and described.

(22) Filed: **Sep. 15, 2017**

(51) **LOC (11) Cl.** **23-01**

(52) **U.S. Cl.**
USPC **D23/238**

DESCRIPTION

(58) **Field of Classification Search**
USPC D23/238–243, 249, 255, 257, 250
CPC Y10T 137/9464
See application file for complete search history.

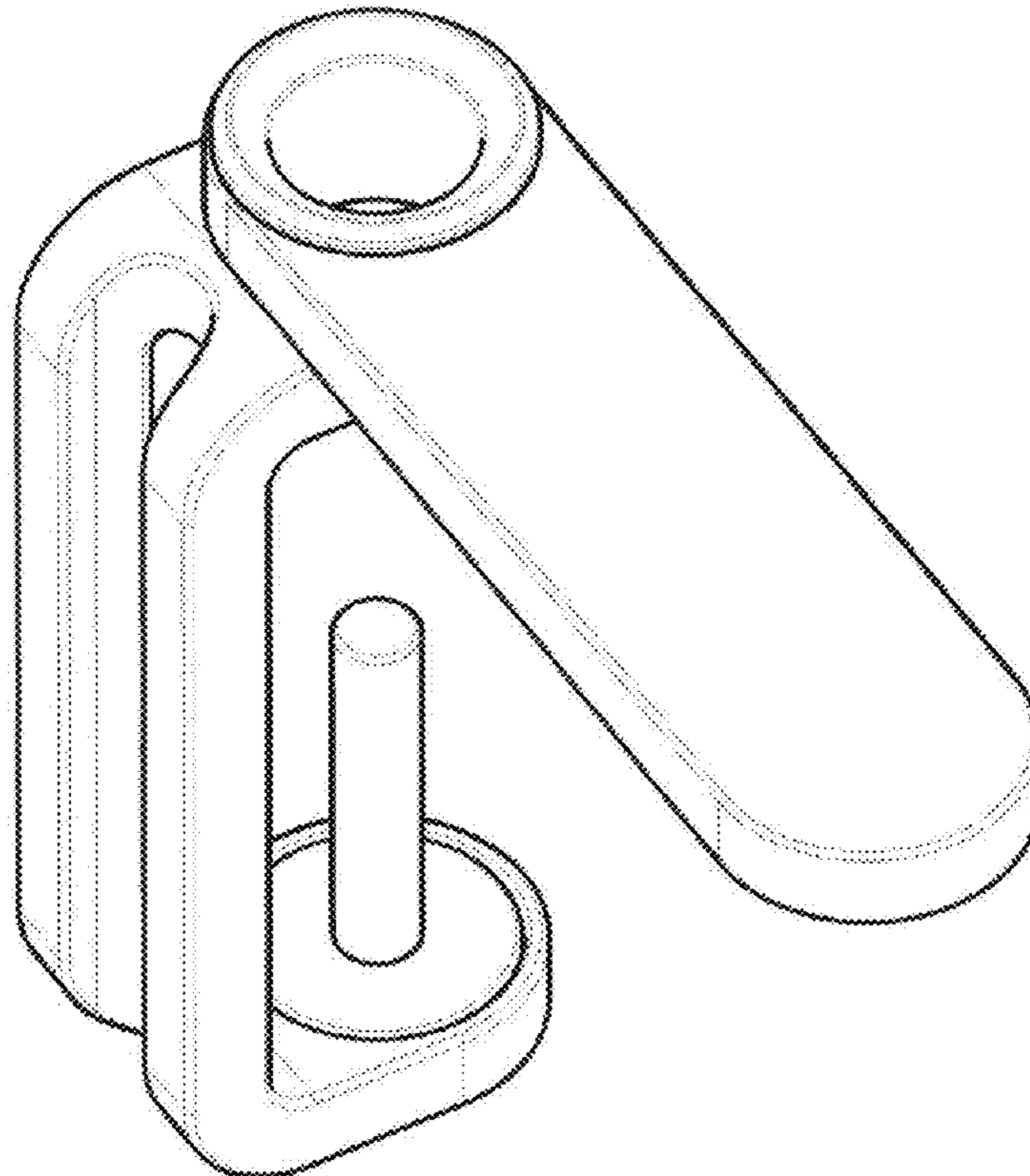
FIG. 1 is a front perspective view of a faucet showing my new design;
FIG. 2 is a rear perspective view thereof;
FIG. 3 is a front elevational view thereof, the opposite end being a mirror image of the end shown;
FIG. 4 is a left side view thereof;
FIG. 5 is a bottom view thereof; and,
FIG. 6 is a top view thereof.

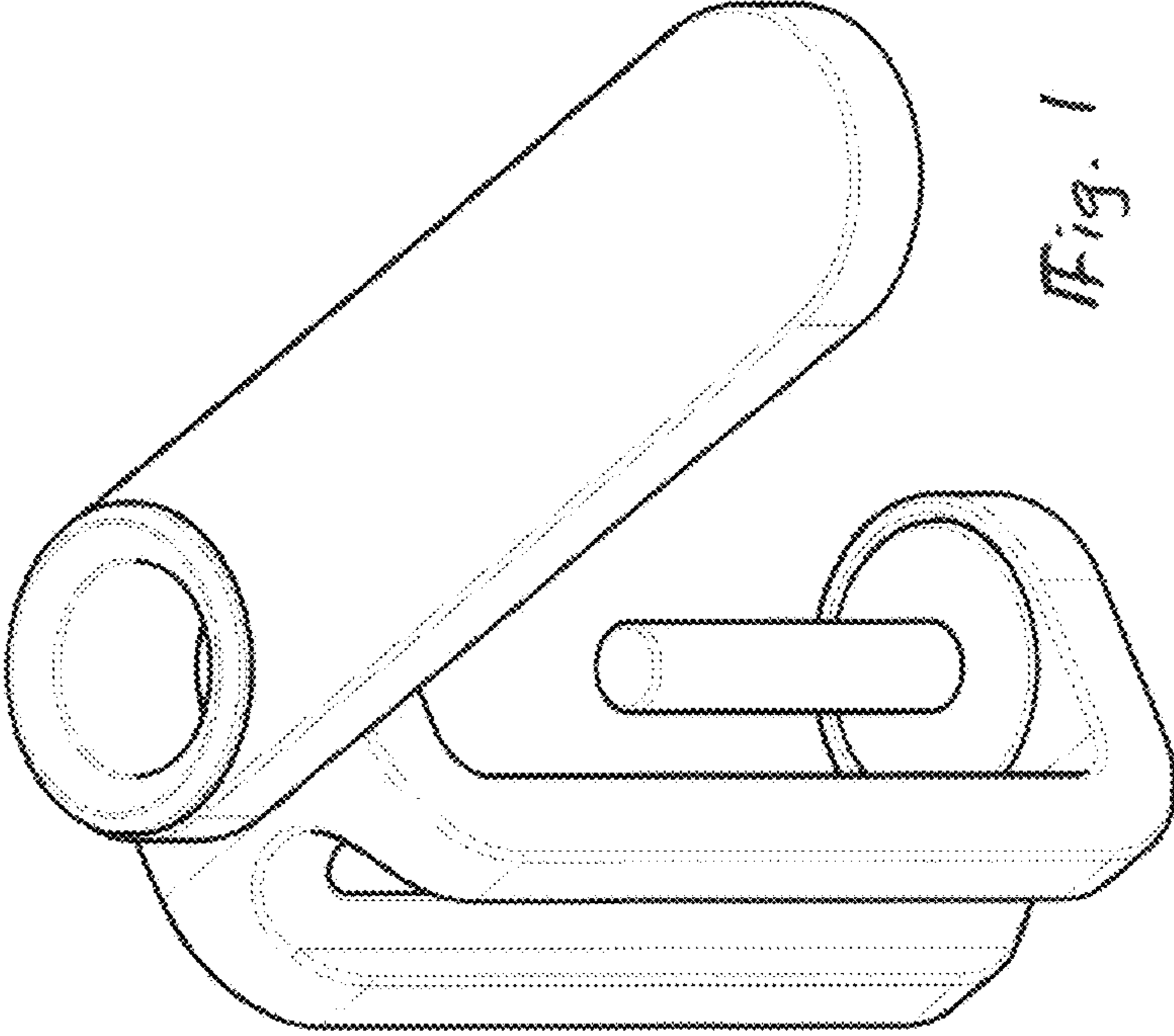
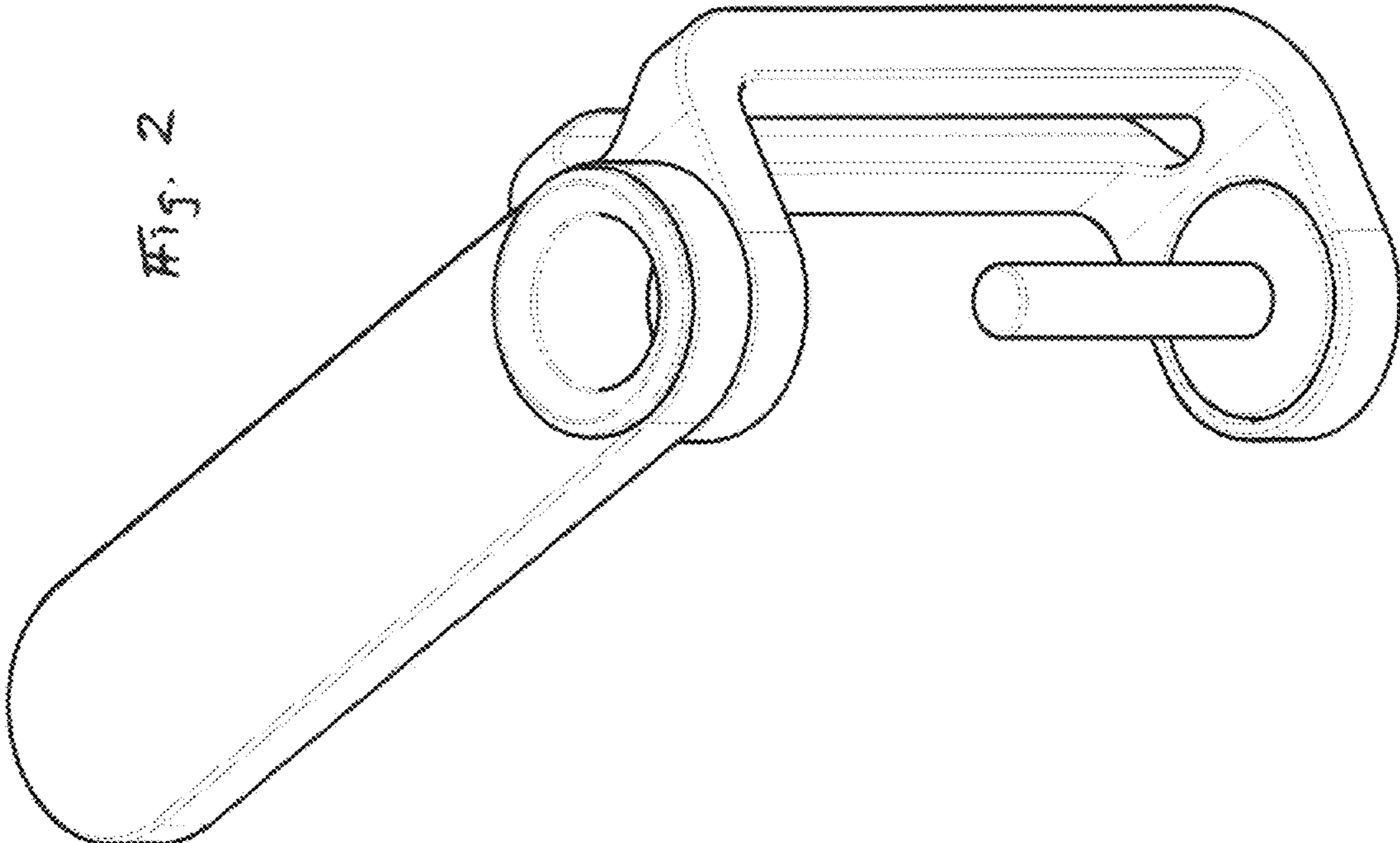
(56) **References Cited**

U.S. PATENT DOCUMENTS

D290,645 S * 6/1987 Paul D23/255
D311,241 S * 10/1990 Strignano D23/241

1 Claim, 3 Drawing Sheets





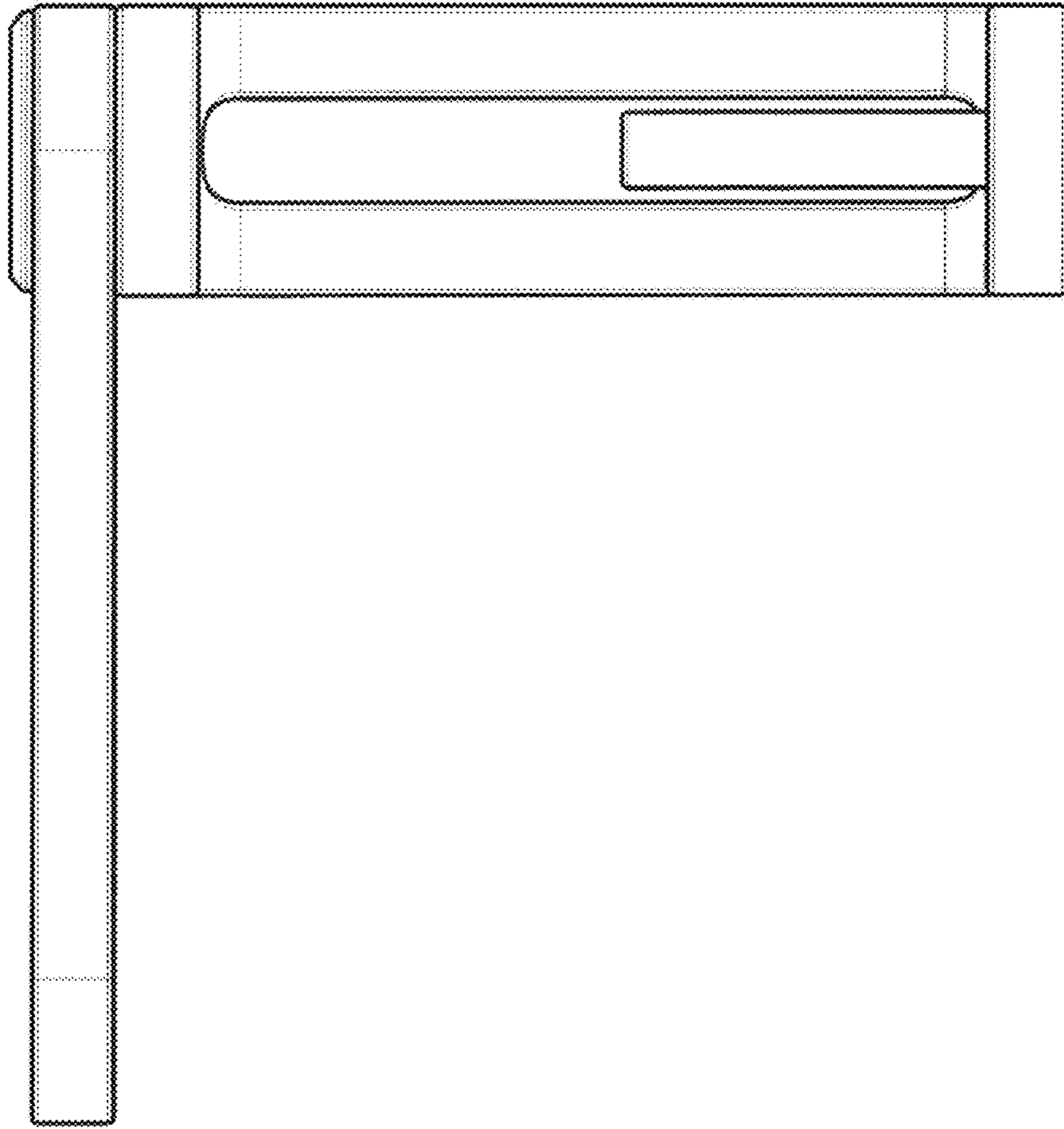


Fig. 4

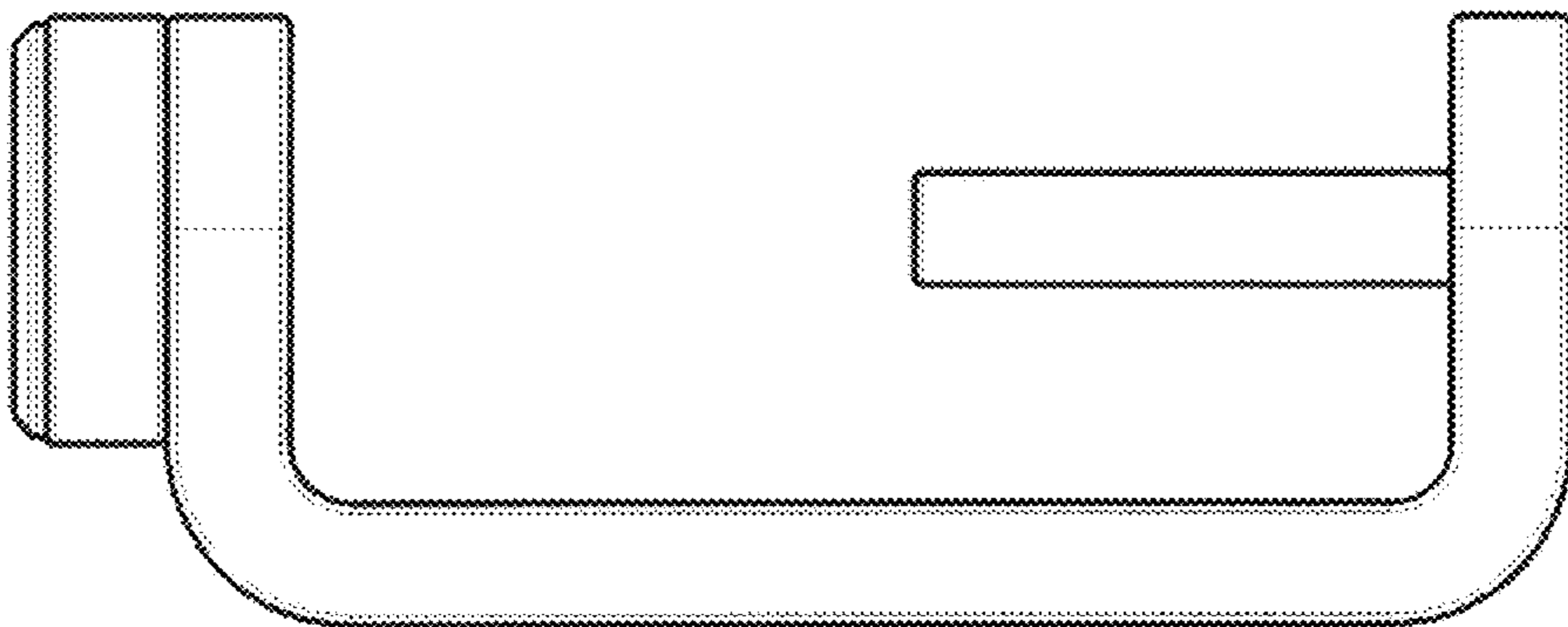


Fig. 3

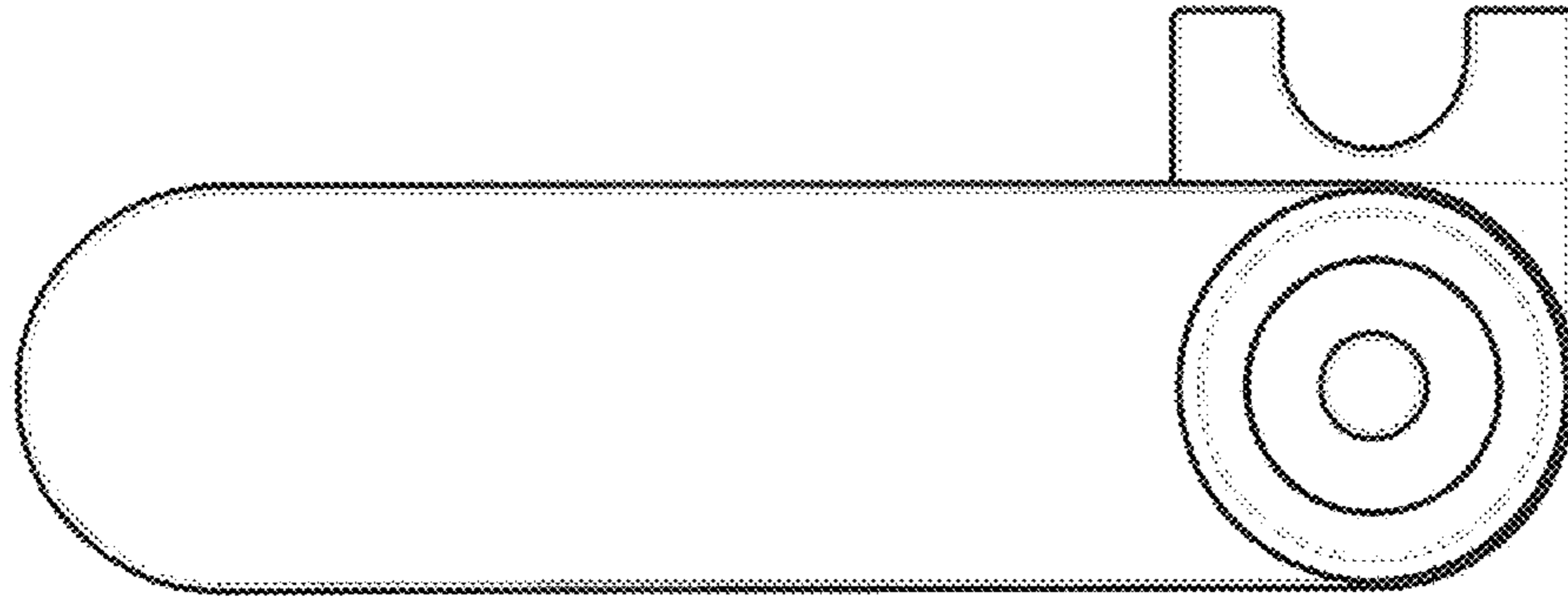


Fig. 6

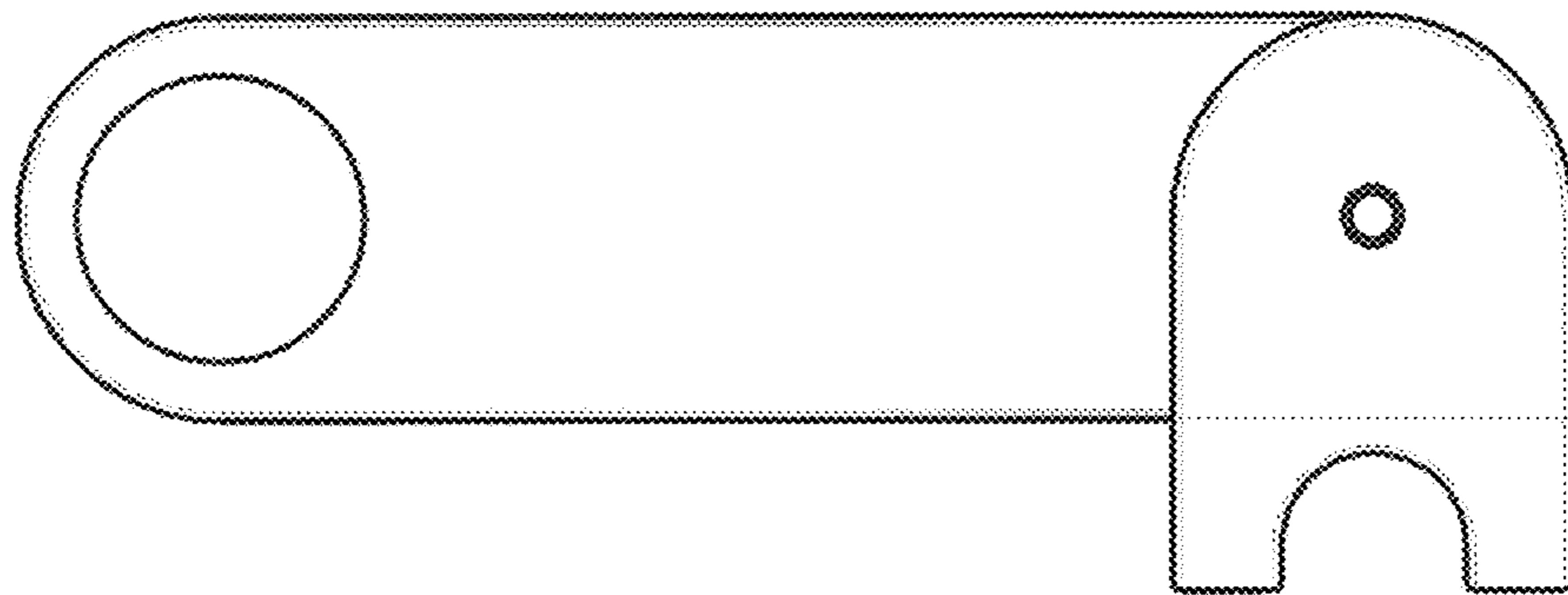


Fig. 5