



US00D848572S

(12) **United States Design Patent**
Yasuoka et al.

(10) **Patent No.:** **US D848,572 S**

(45) **Date of Patent:** **** May 14, 2019**

(54) **IONIZER**

(71) Applicant: **SMC CORPORATION**, Chiyoda-ku
(JP)

(72) Inventors: **Takashi Yasuoka**, Moriya (JP); **Suguru Konno**, Tsukubamirai (JP)

(73) Assignee: **SMC CORPORATION**, Chiyoda-ku
(JP)

(**) Term: **15 Years**

(21) Appl. No.: **29/621,768**

(22) Filed: **Oct. 11, 2017**

(30) **Foreign Application Priority Data**

Apr. 25, 2017 (JP) 2017-008795

(51) **LOC (11) Cl.** **23-01**

(52) **U.S. Cl.**
USPC **D23/207**

(58) **Field of Classification Search**
USPC D23/200, 207, 209; 361/230
CPC B01D 35/30; B01D 35/153; B01D 35/306;
B01D 2201/30; B01D 2201/29; B01D
24/10; B01D 36/02; C02F 1/002; C02F
1/003; H01T 23/00
See application file for complete search history.

(56) **References Cited**

U.S. PATENT DOCUMENTS

7,636,229 B2 * 12/2009 Kato H01T 23/00
361/230
D652,480 S * 1/2012 Okajima D23/207

8,355,237 B2 * 1/2013 Kotsuji H01T 23/00
361/230
8,809,802 B2 * 8/2014 Sung H01T 23/00
250/423 R
D806,828 S * 1/2018 Toshida H01T 23/00
D23/207

* cited by examiner

Primary Examiner — Robin V Webster
(74) *Attorney, Agent, or Firm* — Oblon, McClelland,
Maier & Neustadt, L.L.P.

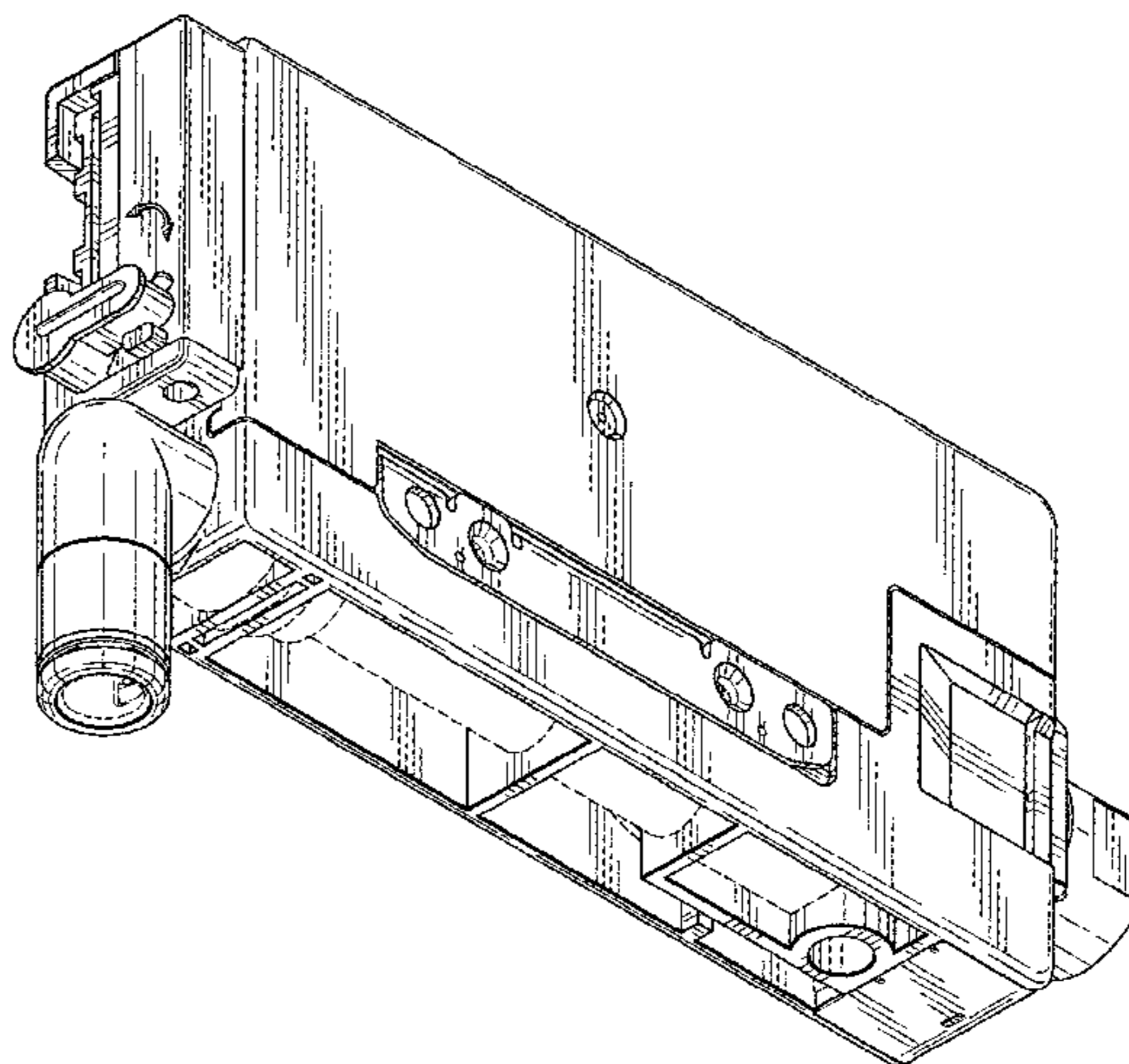
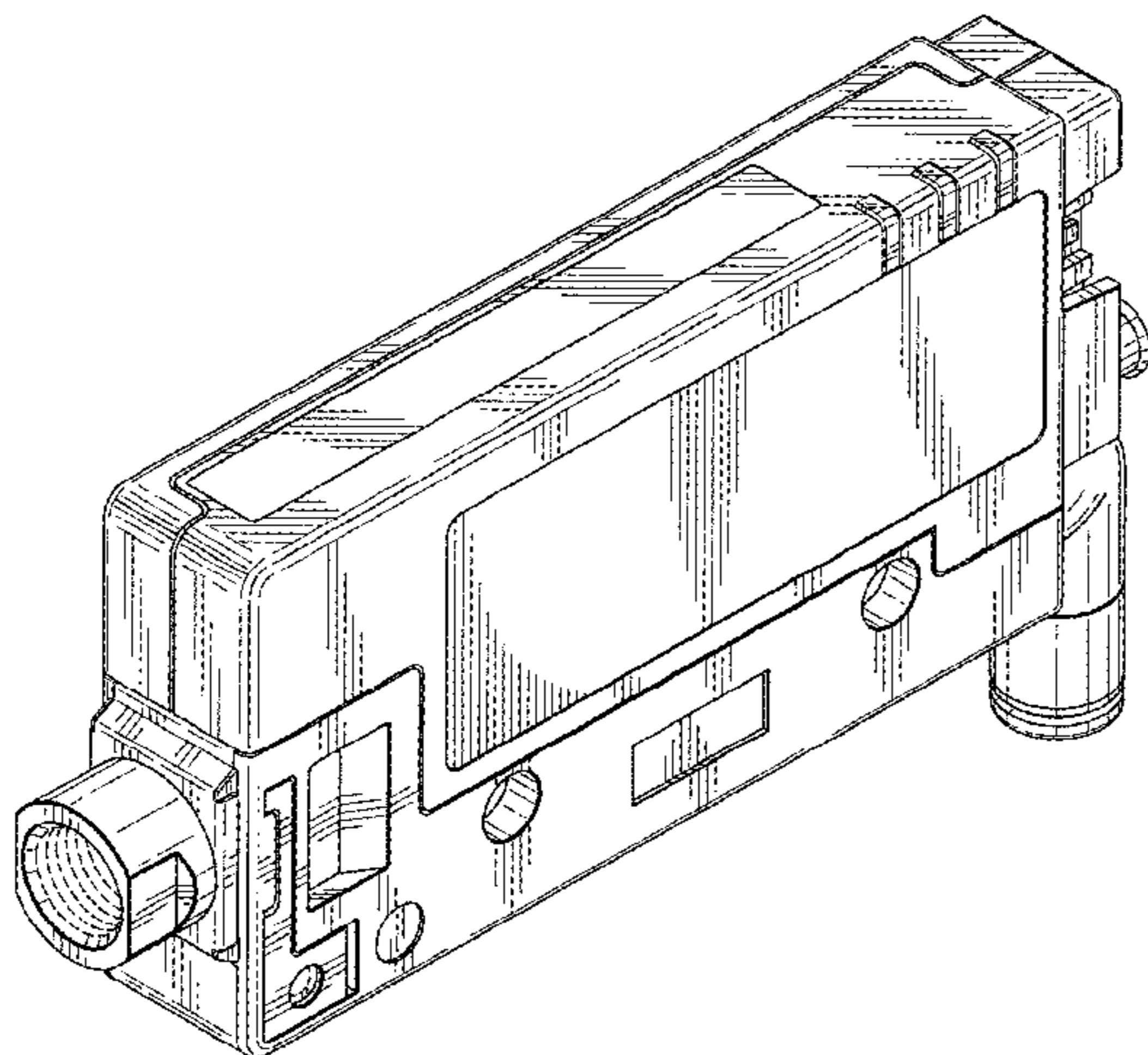
(57) **CLAIM**

The ornamental design for an ionizer, as shown and described.

DESCRIPTION

FIG. 1 is a front, top, and left side perspective view of an ionizer;
FIG. 2 is a rear, bottom, and right side perspective view thereof;
FIG. 3 is a front elevational view thereof;
FIG. 4 is a rear elevational view thereof;
FIG. 5 is a top plan view thereof;
FIG. 6 is a bottom plan view thereof
FIG. 7 is a left side elevational view thereof; and,
FIG. 8 is a right side elevational view thereof.
The broken lines in the drawings illustrate subject matter that forms no part of the claimed design.

1 Claim, 7 Drawing Sheets



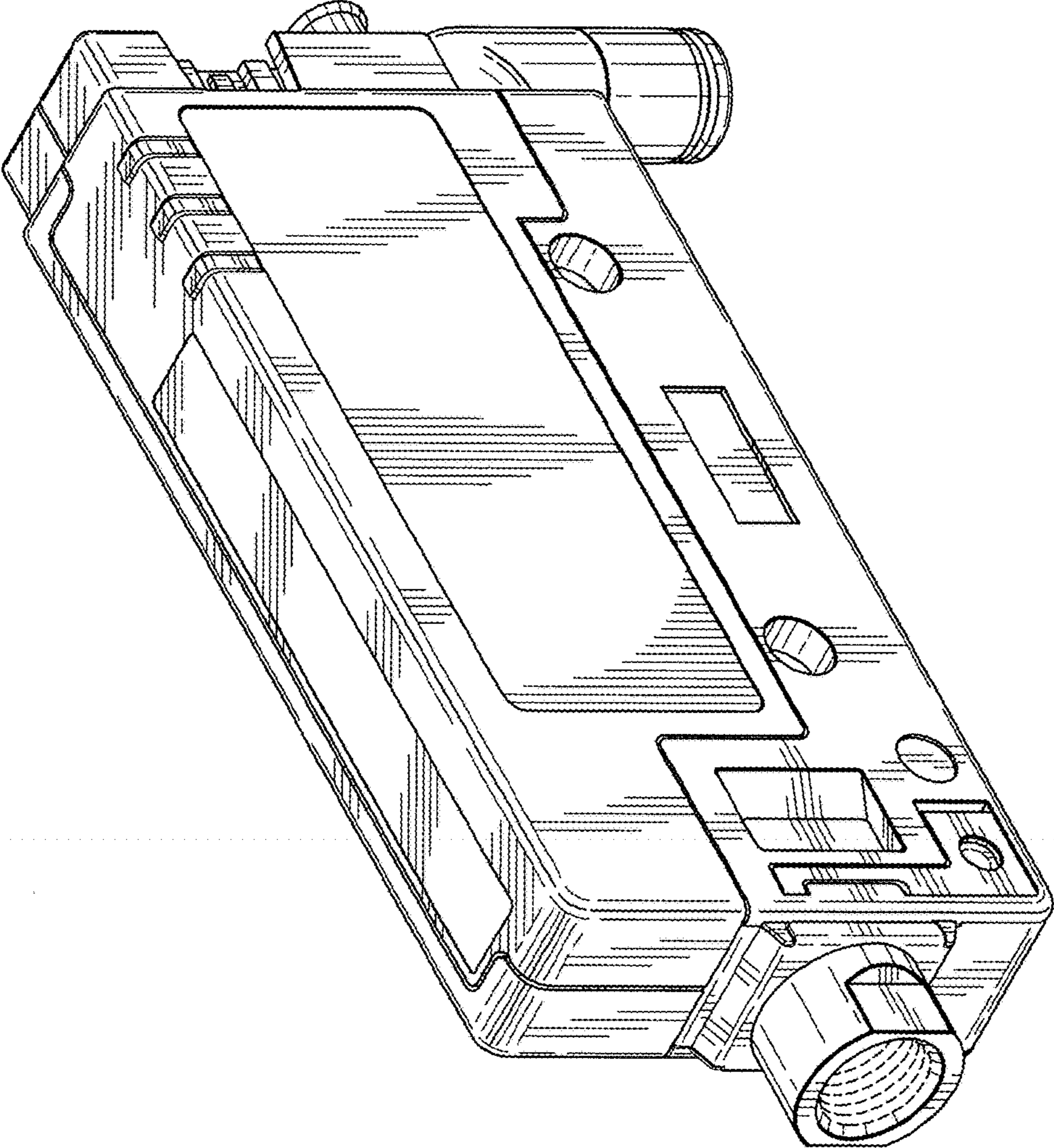


FIG. 1

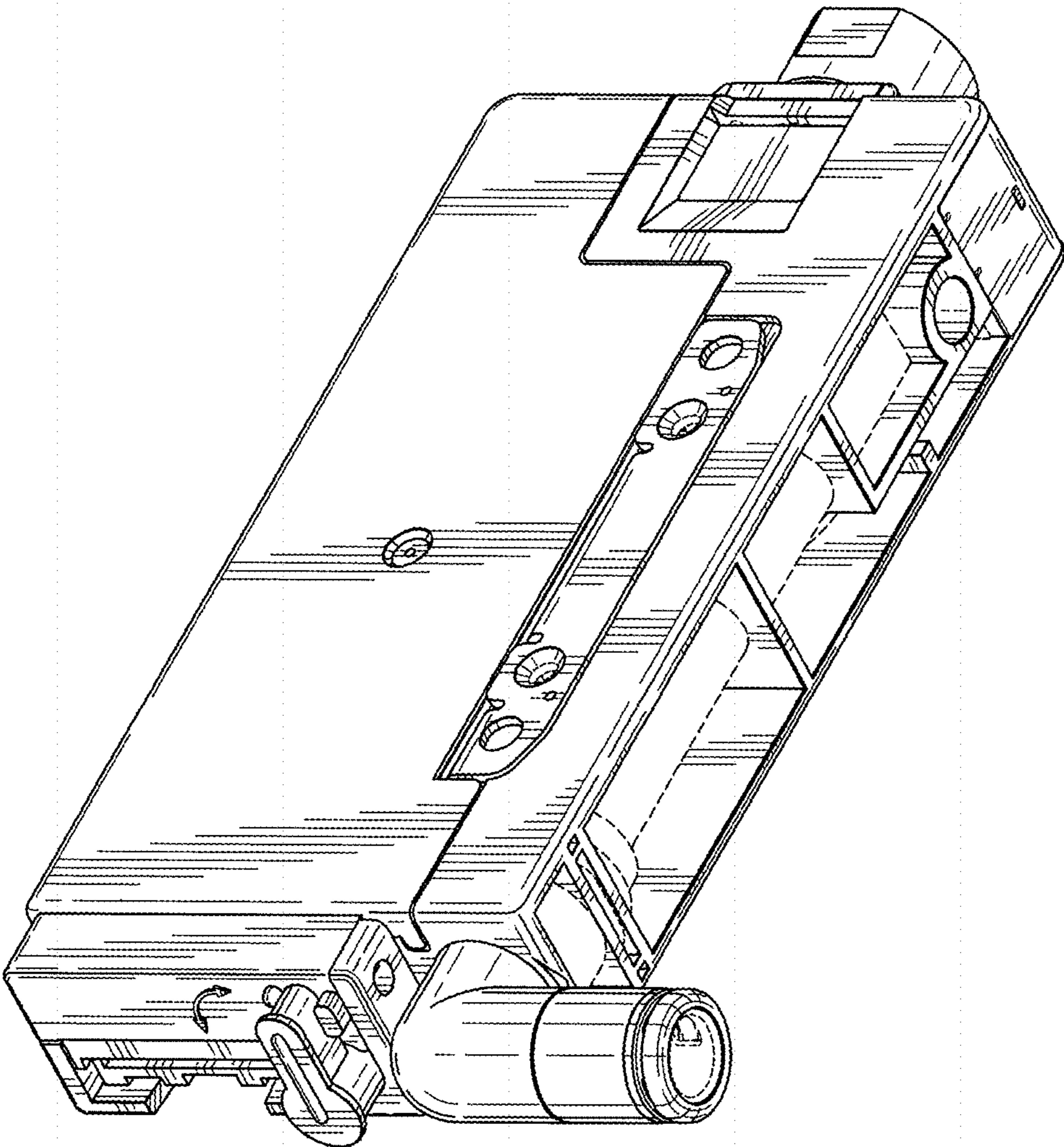


FIG. 2

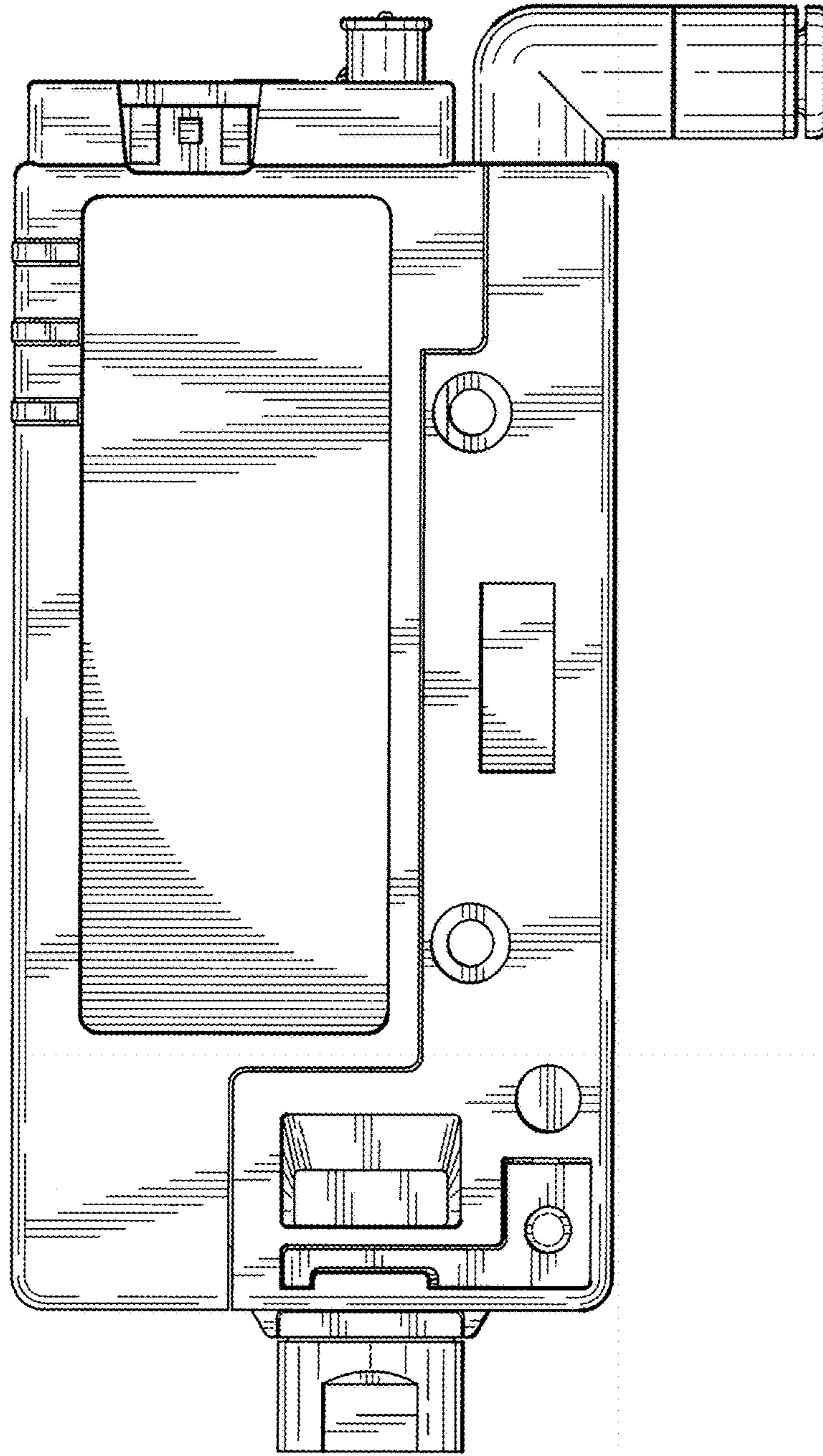


FIG. 3

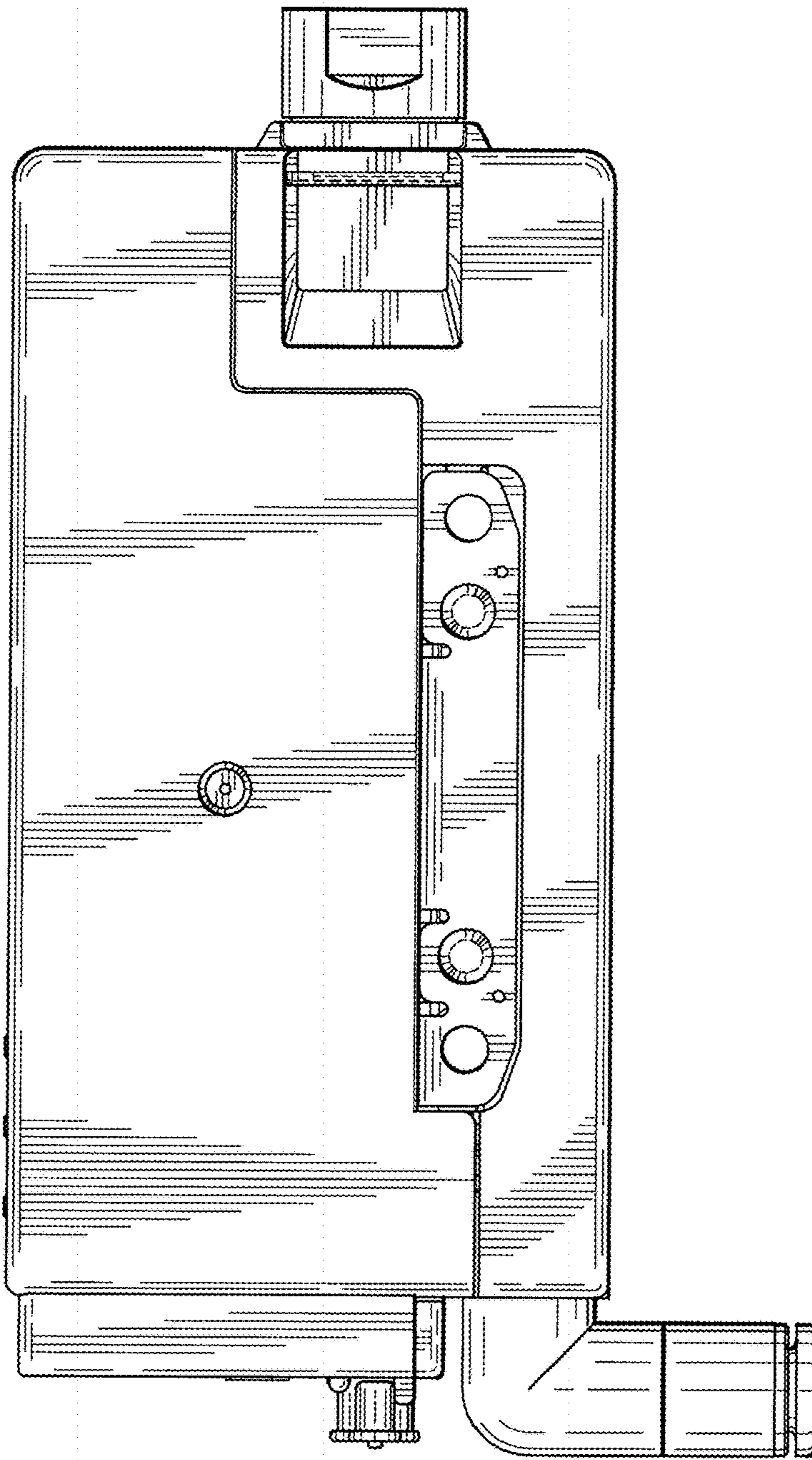


FIG. 4

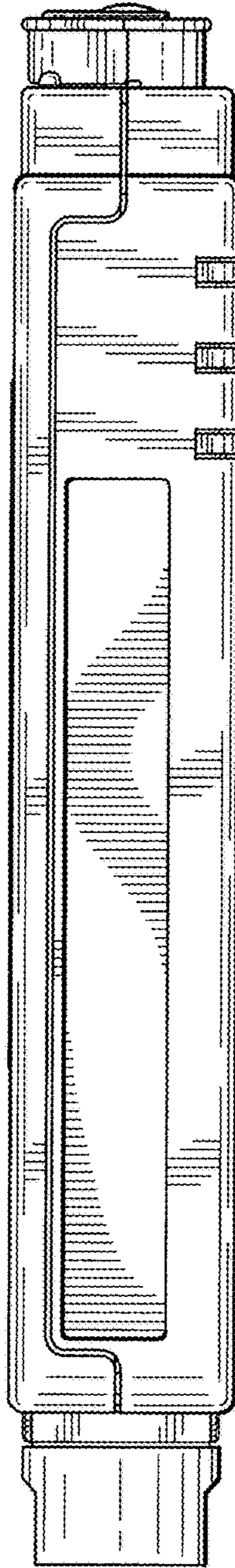


FIG. 5

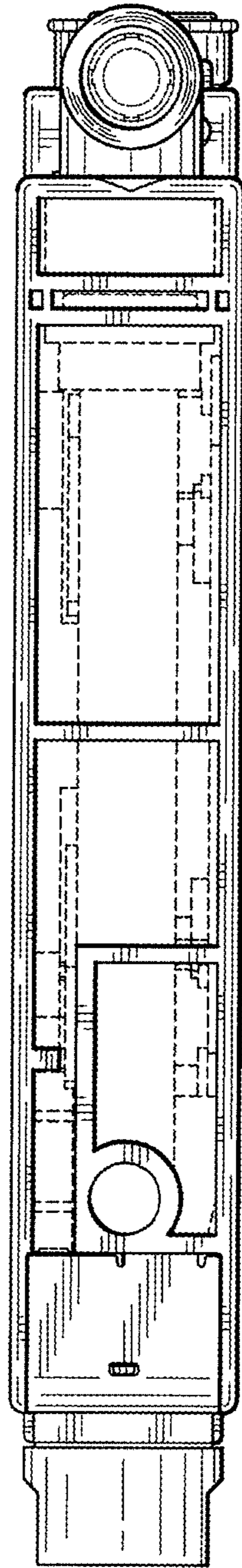


FIG. 6

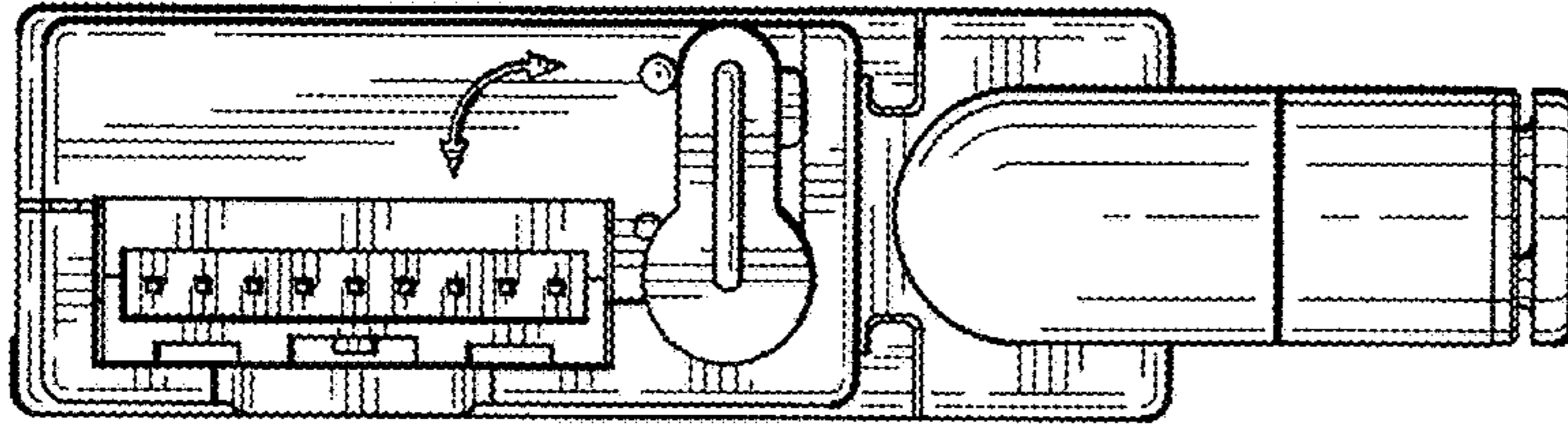


FIG. 8

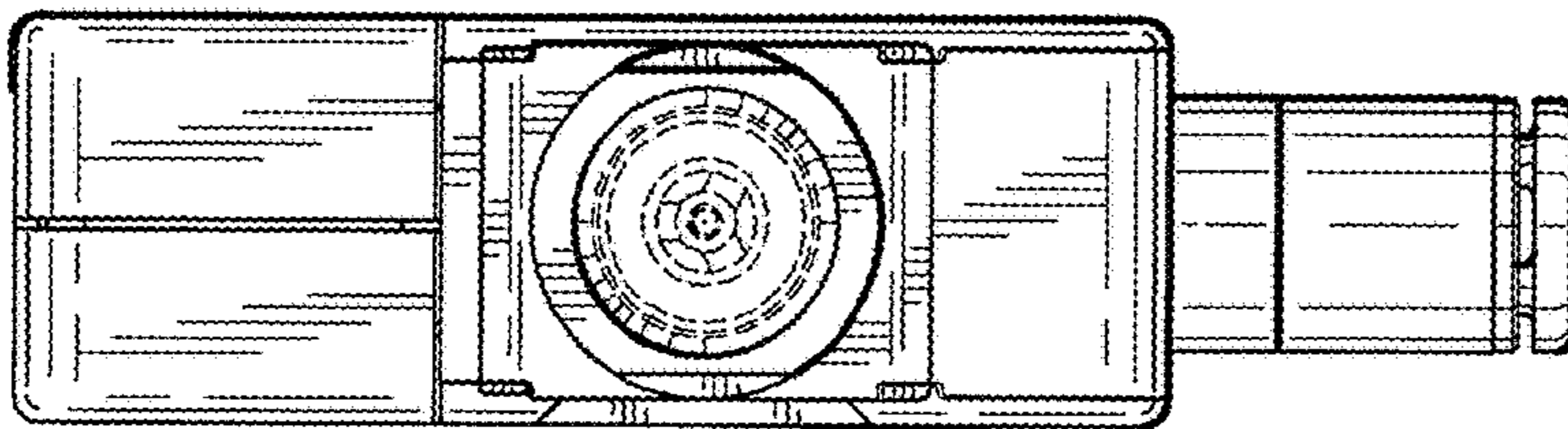


FIG. 7