



US00D848571S

(12) **United States Design Patent**  
**Blight**

(10) **Patent No.:** **US D848,571 S**

(45) **Date of Patent:** **\*\* May 14, 2019**

(54) **FISHING ROD HOLDER**

(71) Applicant: **Scott Blight**, London (CA)

(72) Inventor: **Scott Blight**, London (CA)

(\*\*) Term: **15 Years**

(21) Appl. No.: **29/615,402**

(22) Filed: **Aug. 29, 2017**

(30) **Foreign Application Priority Data**

Jul. 20, 2017 (CA) ..... 175979

(51) **LOC (11) Cl.** ..... **22-05**

(52) **U.S. Cl.**  
USPC ..... **D22/147**

(58) **Field of Classification Search**  
USPC ..... D22/147; D6/552-553, 567, 396;  
211/13.1, 64, 70.8, 60.1, 117, 70.2, 70.6;  
43/21.2; 248/512, 520, 538  
CPC ..... A01K 97/10; A47B 81/005  
See application file for complete search history.

(56) **References Cited**

**U.S. PATENT DOCUMENTS**

3,113,363	A	12/1963	Fyvie	
D272,787	S *	2/1984	Rumbaugh	D6/552
4,696,122	A	9/1987	Van Der Zyl	
4,707,892	A	11/1987	Nelson	
D303,192	S *	9/1989	Bogar, III	D6/552
5,094,351	A *	3/1992	Barney	A47B 81/005
				211/117
D359,793	S *	6/1995	Medlin, Jr.	D22/147
5,450,688	A	9/1995	Hall	
D378,482	S *	3/1997	Hall, Sr.	D6/552
5,715,952	A	2/1998	Chichetti	
6,267,425	B1	7/2001	Dorsey	
6,471,103	B1	10/2002	Frese et al.	

D535,351	S *	1/2007	Glover	D22/147
D582,508	S	12/2008	Alley	
D586,425	S	2/2009	Alley et al.	
D614,256	S	4/2010	Alley et al.	
7,909,378	B2	3/2011	Alley	
8,393,111	B1	3/2013	Johnson	
D699,477	S *	2/2014	Allen	D6/552
8,757,399	B2	6/2014	Wolfbauer	
8,783,748	B1	7/2014	Quinn	
2010/0089849	A1	4/2010	Sheppard et al.	

\* cited by examiner

*Primary Examiner* — Catherine R Oliver-Garcia  
(74) *Attorney, Agent, or Firm* — Hartman Global IP Law;  
Gary M. Hartman; Domenica N. S. Hartman

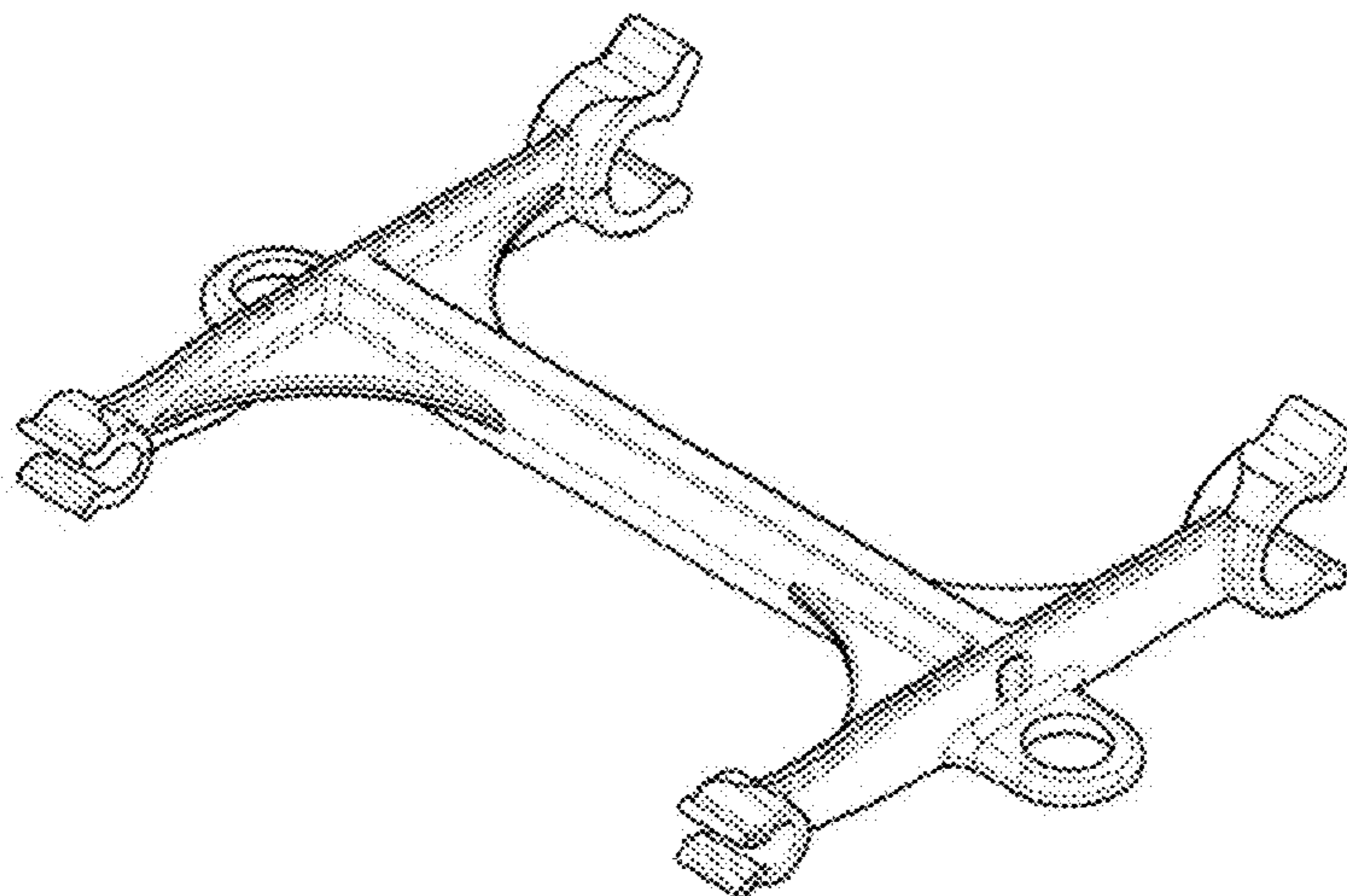
(57) **CLAIM**

The ornamental design for a fishing rod holder, as shown and described.

**DESCRIPTION**

FIG. 1 is a top, front, right perspective view of a fishing rod holder in accordance with this invention.  
FIG. 2 is a top, front, left perspective view of the fishing rod holder of FIG. 1.  
FIG. 3 is a bottom, rear, right perspective view of the fishing rod holder of FIG. 1.  
FIG. 4 is a bottom, front, right perspective view of the fishing rod holder of FIG. 1.  
FIG. 5 is a top view of the fishing rod holder of FIG. 1.  
FIG. 6 is a bottom view of the fishing rod holder of FIG. 1.  
FIG. 7 is a front view of the fishing rod holder of FIG. 1.  
FIG. 8 is a rear view of the fishing rod holder of FIG. 1.  
FIG. 9 is a right side view of the fishing rod holder of FIG. 1; and,  
FIG. 10 is a left side view of the fishing rod holder of FIG. 1.

**1 Claim, 10 Drawing Sheets**



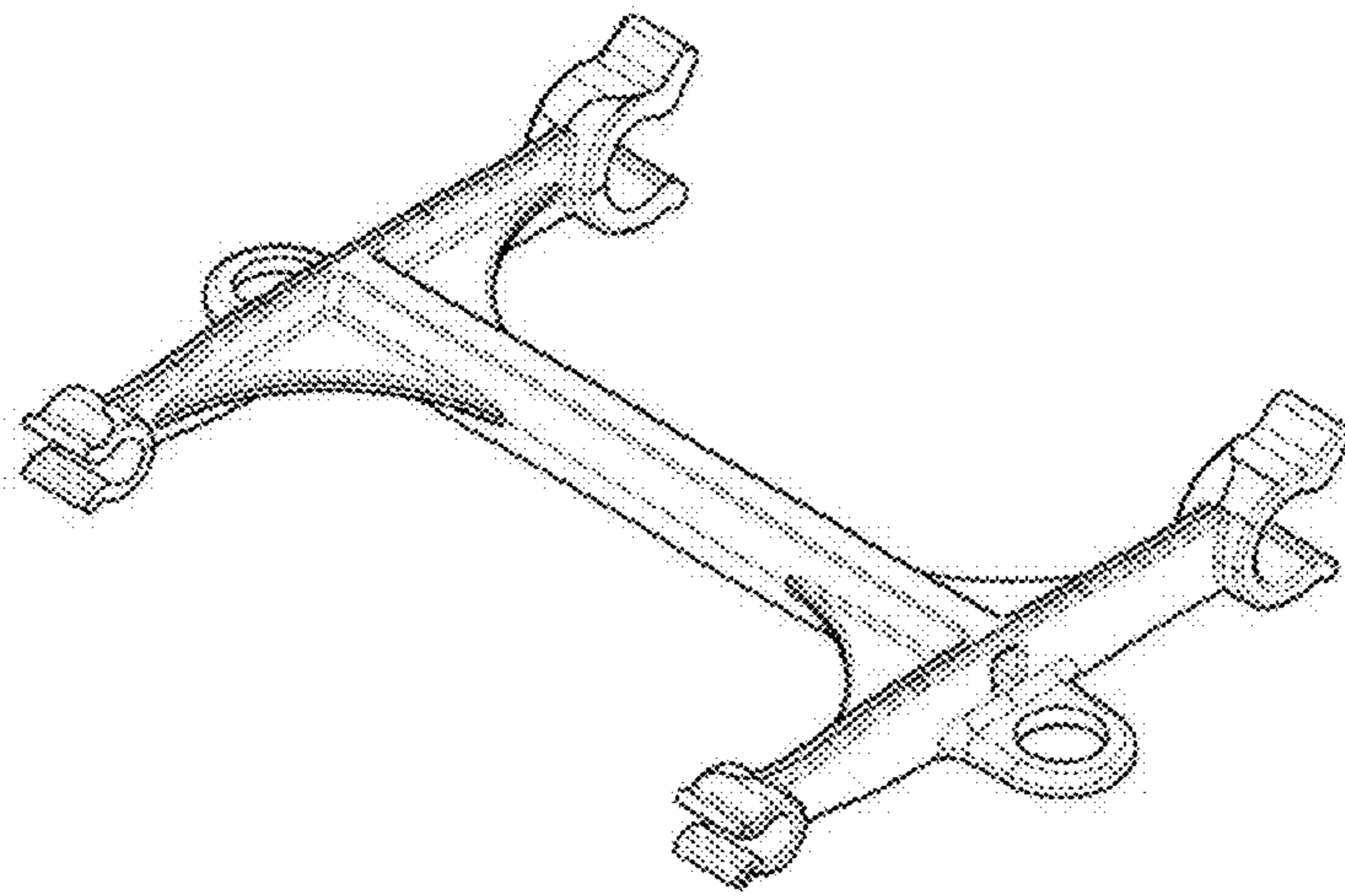


FIG. 1

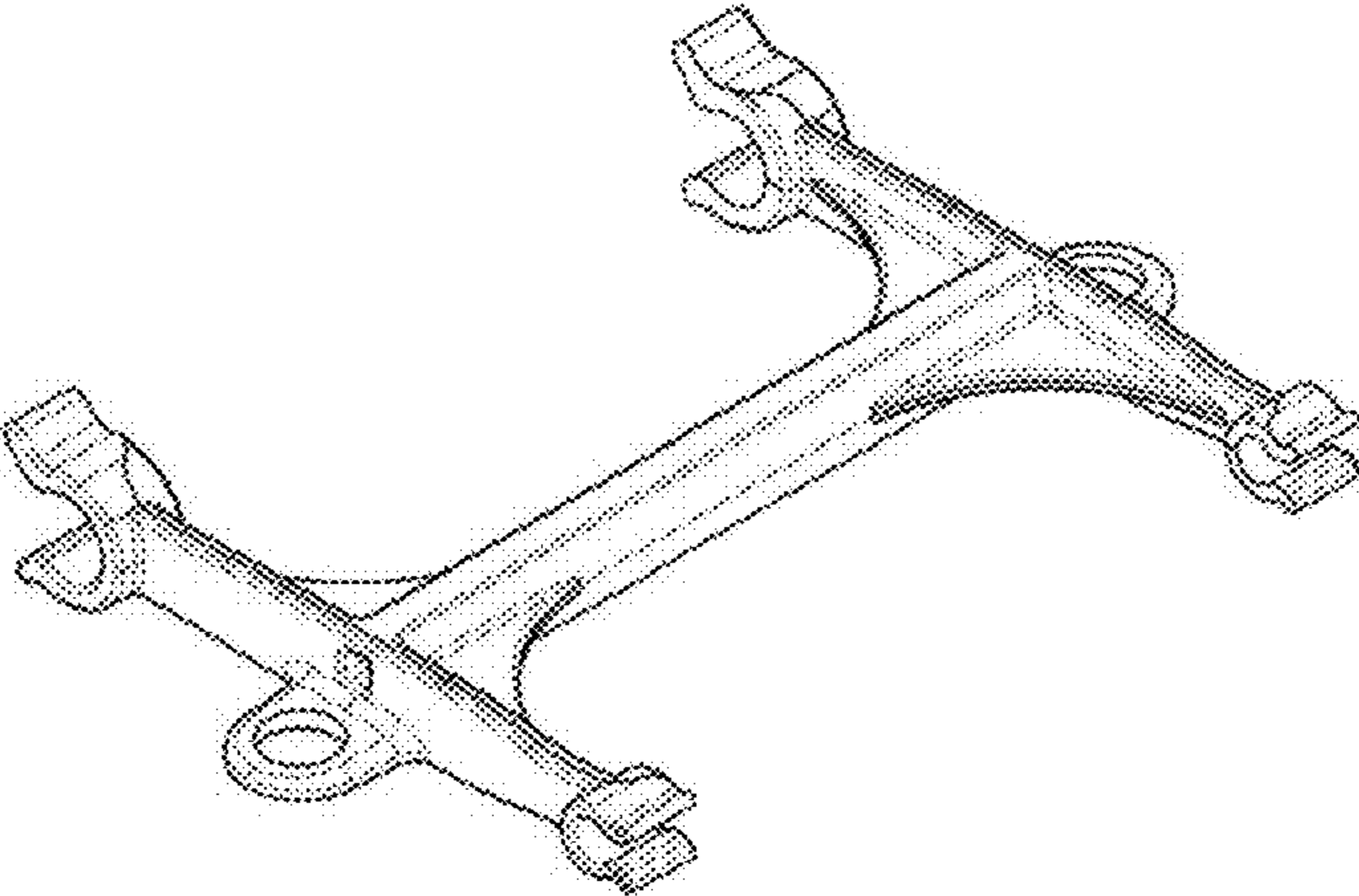


FIG. 2

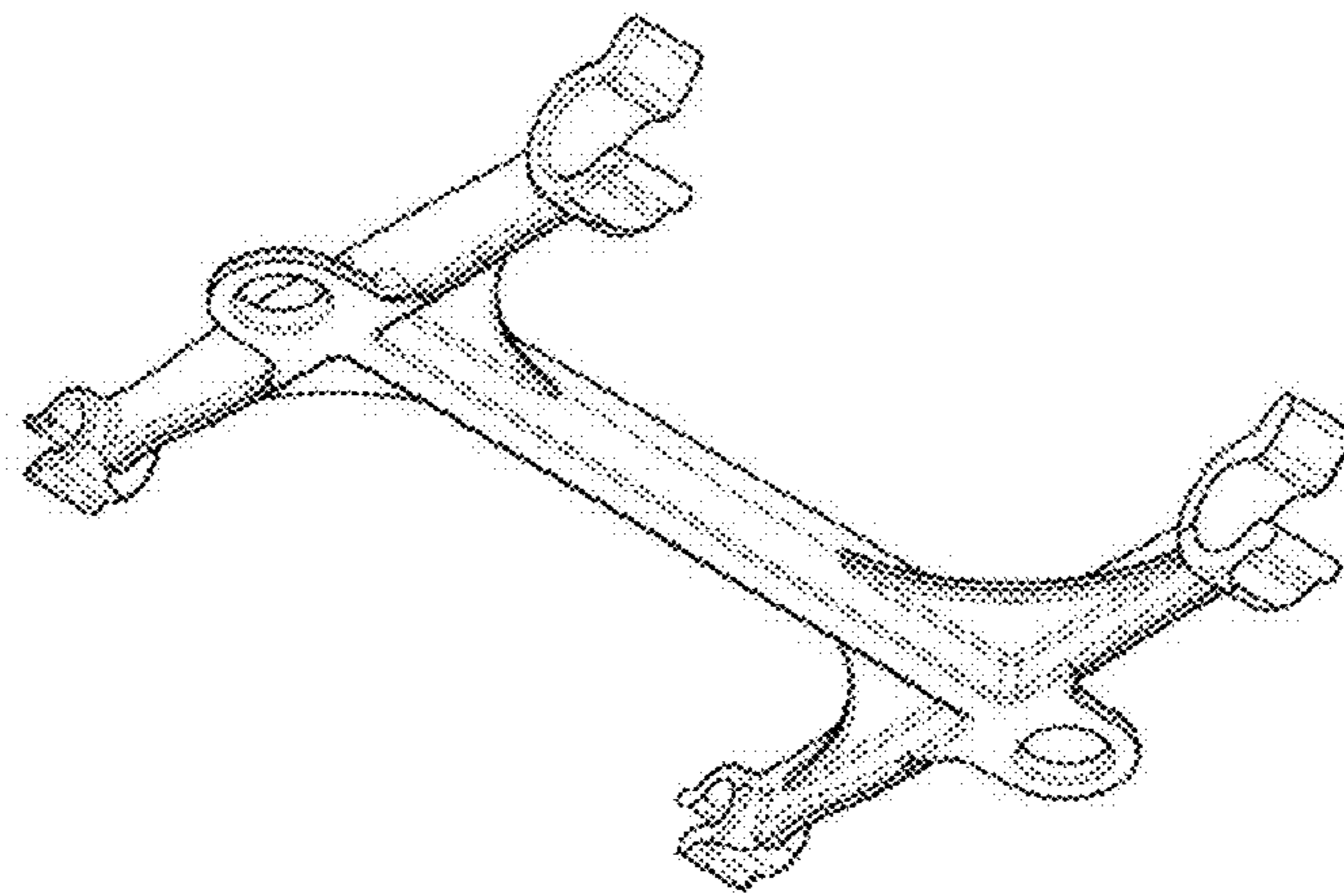


FIG. 3

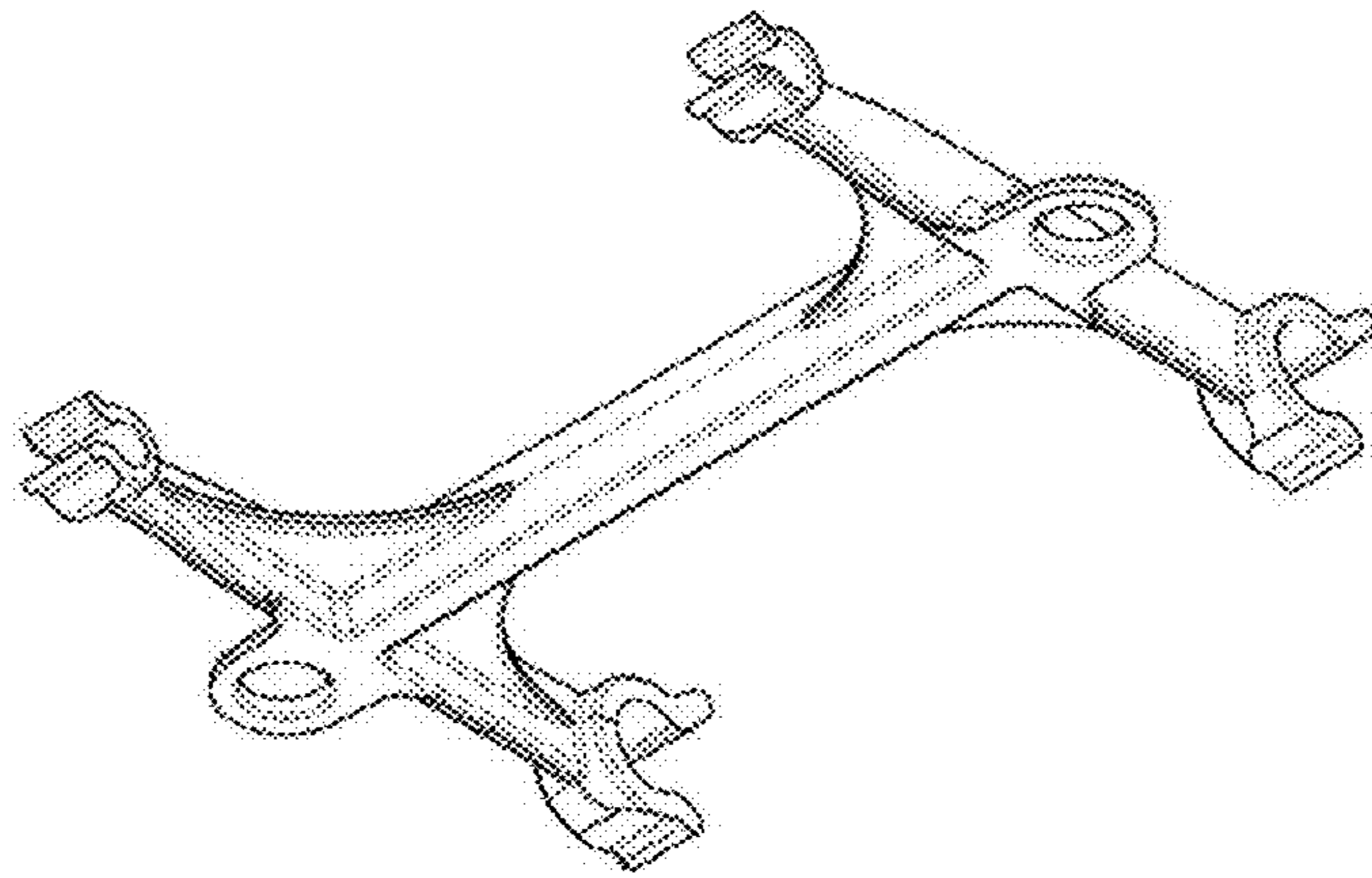


FIG. 4

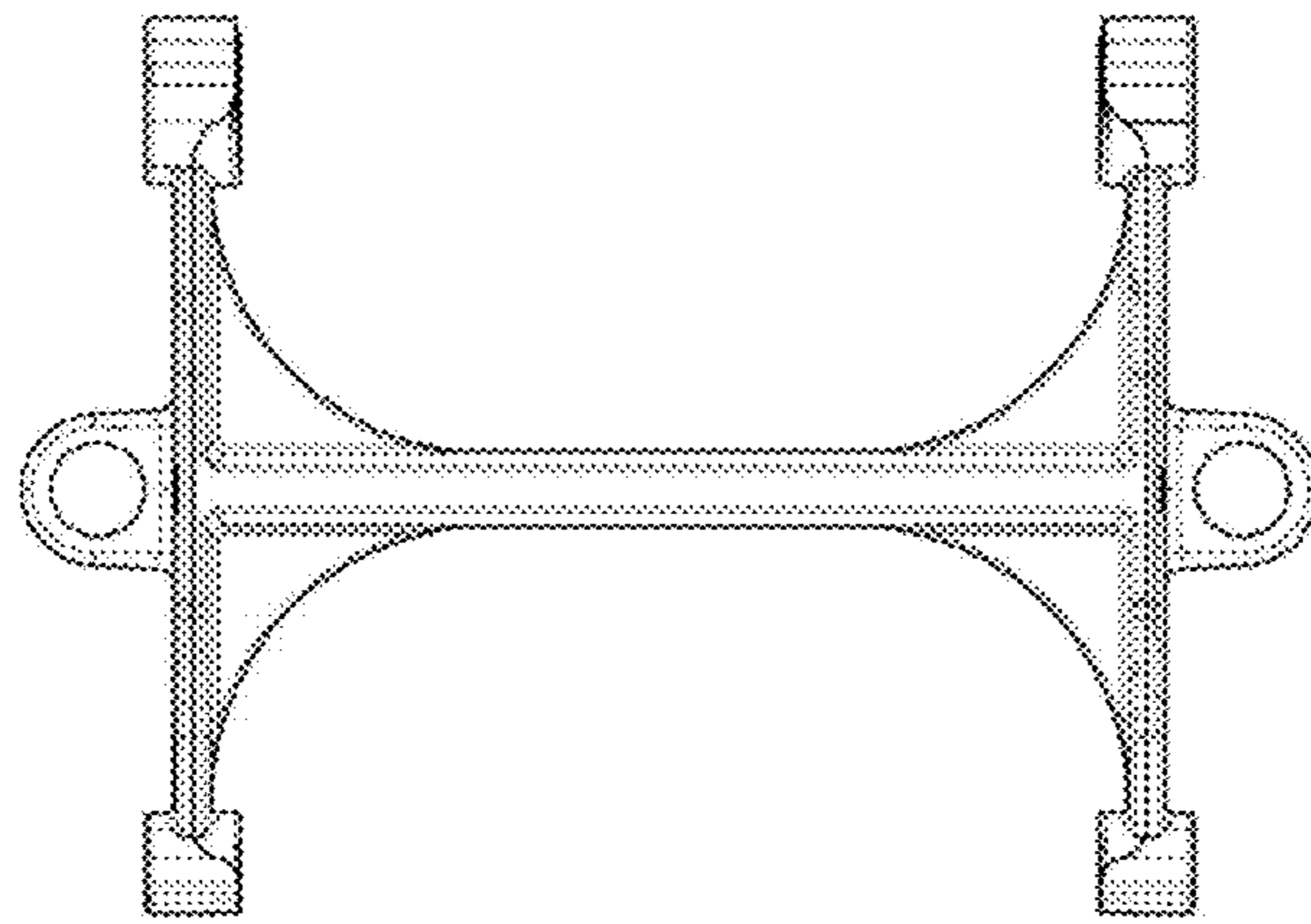


FIG. 5

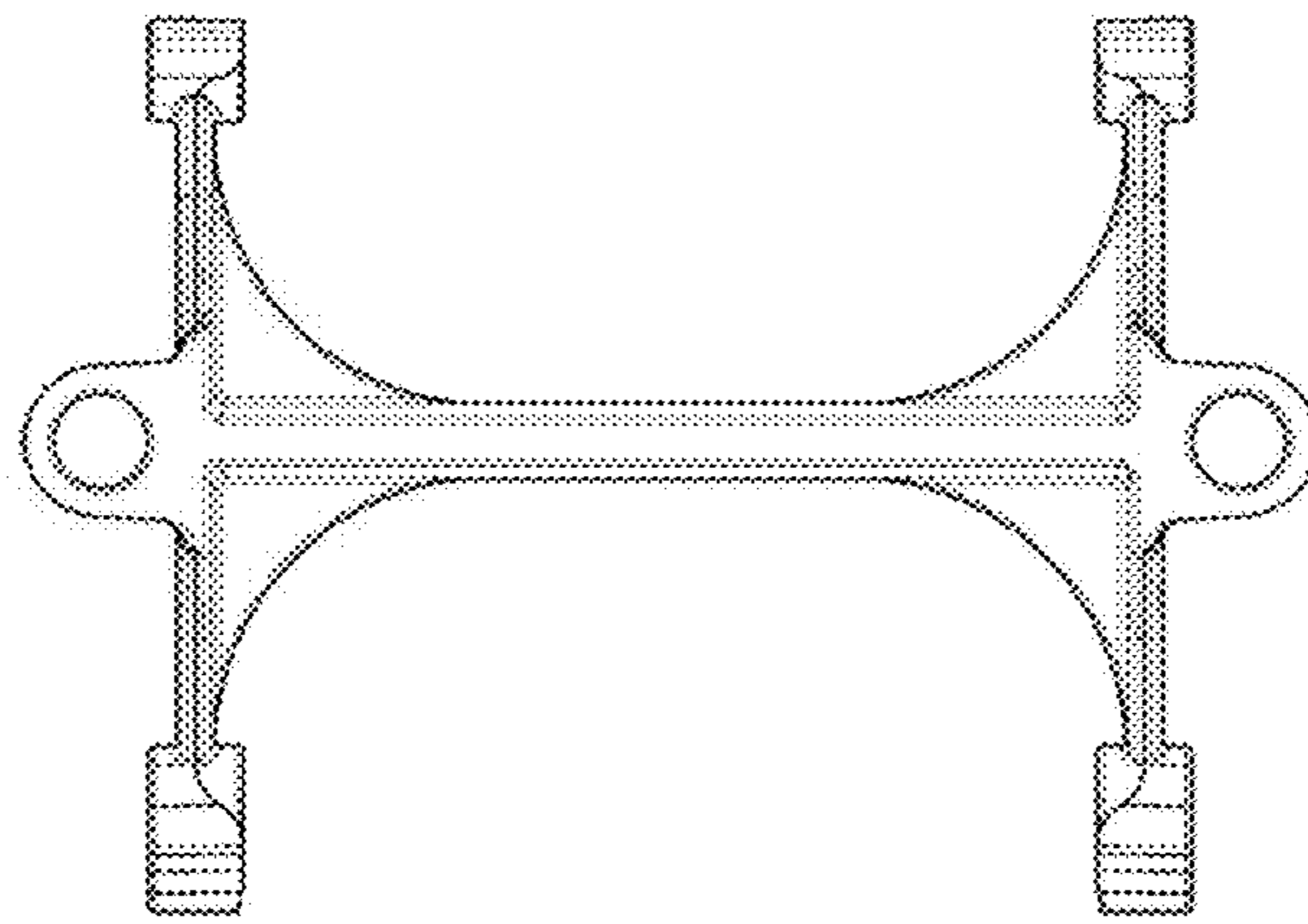


FIG. 6

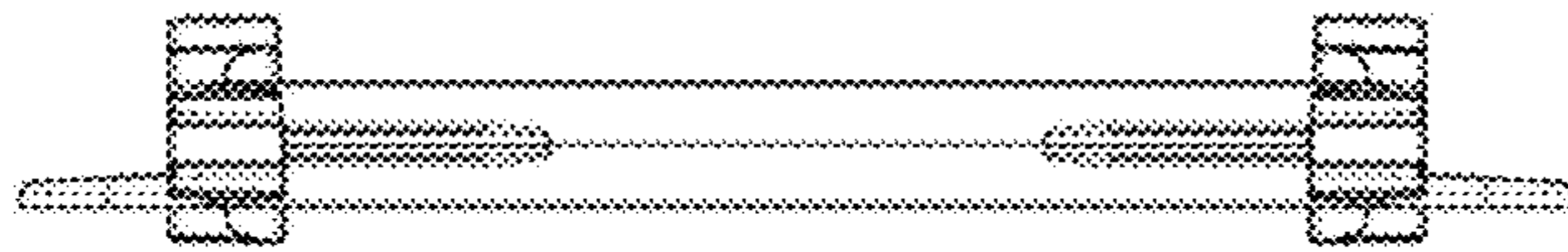


FIG. 7



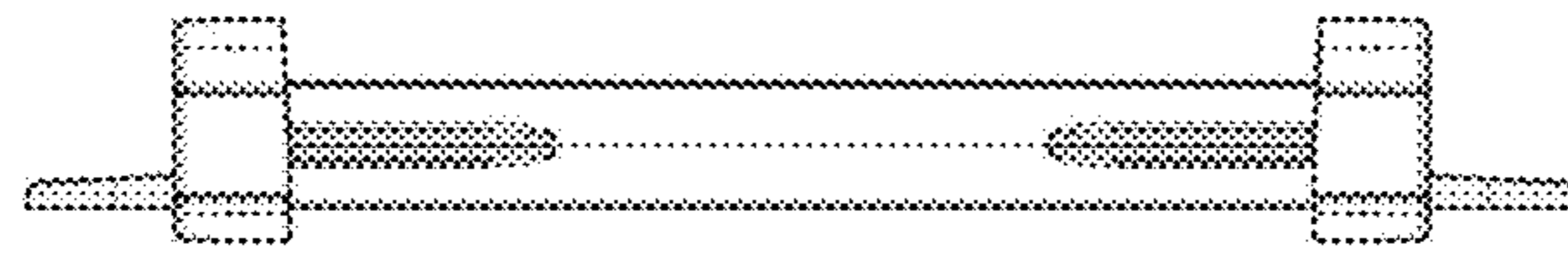


FIG. 8



FIG. 9

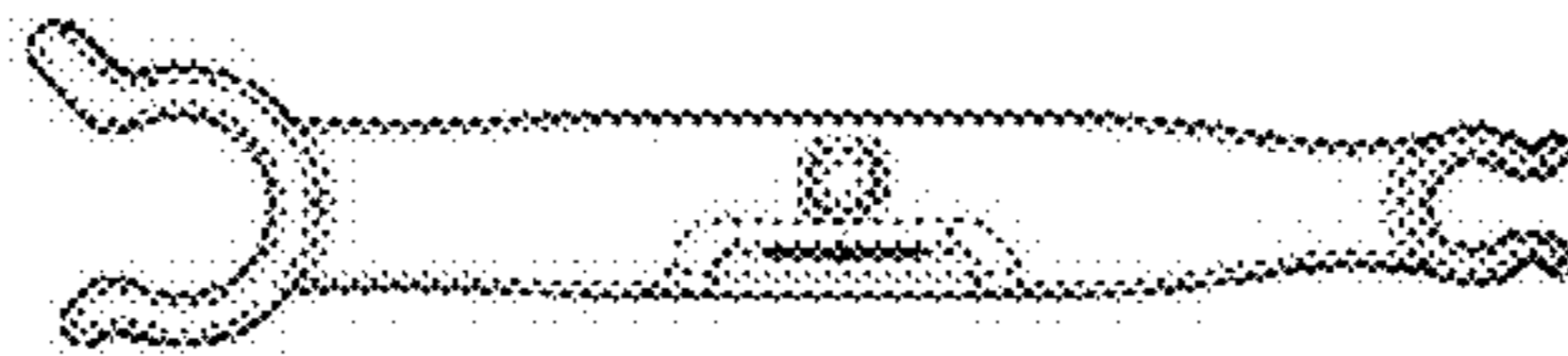


FIG. 10