



US00D848568S

(12) **United States Design Patent** (10) **Patent No.:** **US D848,568 S**  
**Wynalda, Jr.** (45) **Date of Patent:** **\*\* May 14, 2019**

(54) **VAPOR DISTRIBUTOR**  
(71) Applicant: **Fourth Arrow, LLC**, Comstock Park, MI (US)  
(72) Inventor: **Robert M. Wynalda, Jr.**, Comstock Park, MI (US)  
(73) Assignee: **Wyndscents, LLC**, Belmont, MI (US)  
(\*\*) Term: **15 Years**

D616,718 S \* 6/2010 van der Lande ..... D3/210  
D660,177 S \* 5/2012 Ferenc ..... D22/112  
D662,425 S \* 6/2012 Barratt ..... D22/112  
D675,537 S \* 2/2013 Nikolayev ..... D9/680  
D683,235 S \* 5/2013 Albert ..... D22/112  
D685,543 S \* 7/2013 Lohmann ..... D22/112  
D722,888 S \* 2/2015 Newcomer ..... D9/680  
D726,843 S \* 4/2015 Barton ..... D21/682  
D752,989 S \* 4/2016 Shawishian ..... D9/680  
D767,407 S \* 9/2016 Newcomer ..... D9/680  
D806,218 S \* 12/2017 Wynalda, Jr. .... D23/366

(Continued)

(21) Appl. No.: **29/605,076**  
(22) Filed: **May 23, 2017**

**OTHER PUBLICATIONS**

“Wyndset Grenade”, posted Oct. 13, 2016 [online], [retrieved Oct. 16, 2018]. Retrieved from internet, [https://www.youtube.com/watch?v=V\\_JtqtpoC\\_s](https://www.youtube.com/watch?v=V_JtqtpoC_s).\*

(Continued)

**Related U.S. Application Data**

(62) Division of application No. 29/565,582, filed on May 23, 2016, now Pat. No. Des. 806,218.  
(51) **LOC (11) Cl.** ..... **22-03**  
(52) **U.S. Cl.**  
USPC ..... **D22/112**; D29/128; D23/367  
(58) **Field of Classification Search**  
USPC ..... D22/112-115; D23/360, 366; D27/133, D27/162-165; D21/682; D8/85, 90; D10/52, 119.2  
CPC ..... F42B 12/00; F42B 27/00; F42B 12/50; F42C 14/02; A63H 5/04  
See application file for complete search history.

*Primary Examiner* — Barbara Fox  
*Assistant Examiner* — Mehri F Bajoul  
(74) *Attorney, Agent, or Firm* — Zollinger & Burleson Ltd.

(57) **CLAIM**

The ornamental design for a vapor distributor, as shown and described.

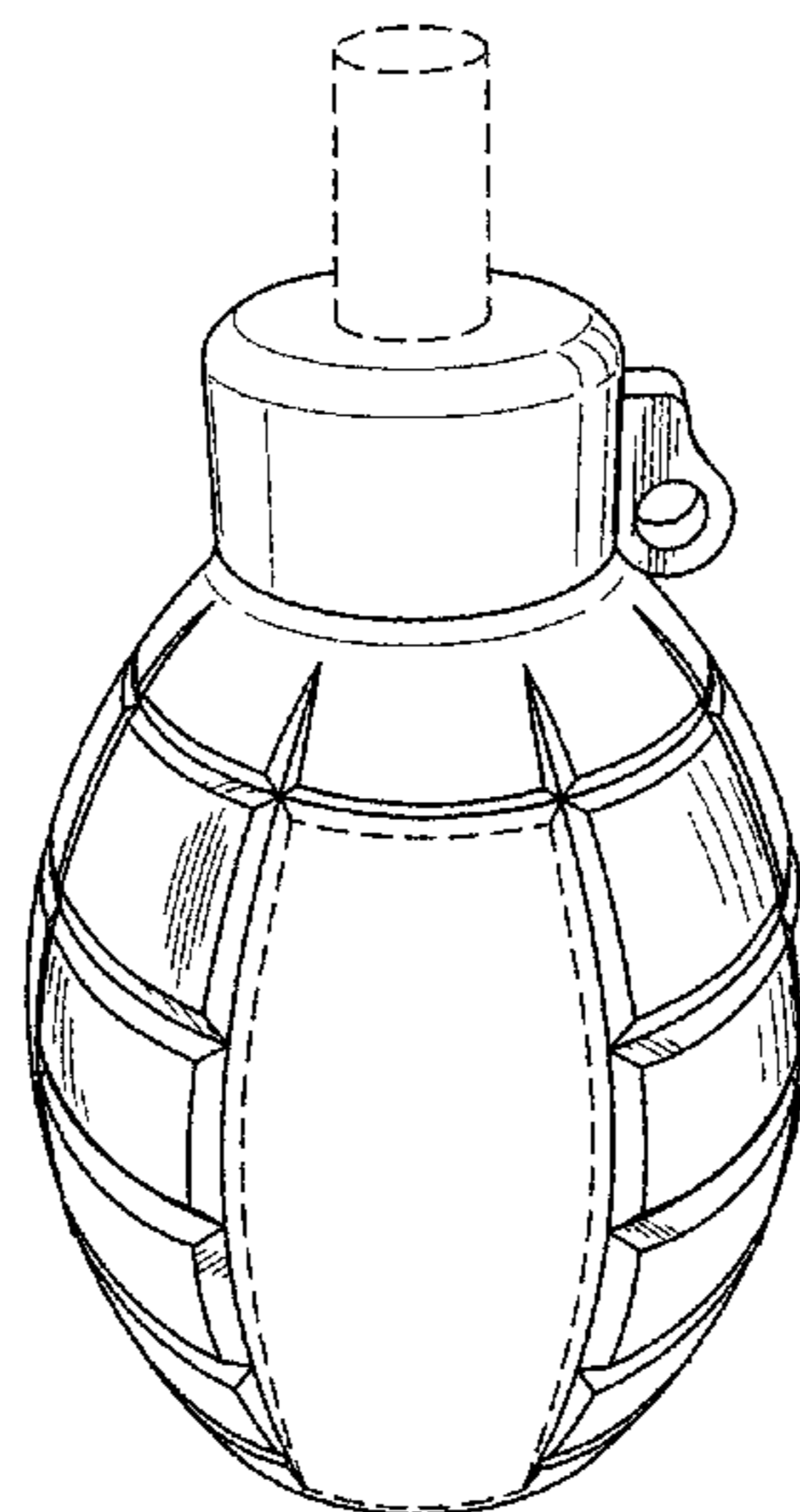
**DESCRIPTION**

FIG. 1 is a perspective view of a vapor distributor showing my new design.  
FIG. 2 is a front elevation view thereof.  
FIG. 3 is a top plan view thereof.  
FIG. 4 is a rear elevation view thereof.  
FIG. 5 is a right side elevation view thereof.  
FIG. 6 is a left side elevation view thereof; and,  
FIG. 7 is a bottom view thereof.  
The broken lines shown in the figures depict portions of the vapor distributor that form no part of the claimed design.

(56) **References Cited**  
U.S. PATENT DOCUMENTS

1,375,440 A \* 4/1921 Anthony ..... F42C 14/02  
102/261  
5,886,288 A \* 3/1999 Brunn ..... F42B 27/00  
102/482  
D434,332 S \* 11/2000 Sir ..... D9/520  
D472,800 S \* 4/2003 Levanen ..... D22/112  
7,338,343 B2 \* 3/2008 Siu ..... A63H 5/00  
102/498

**1 Claim, 4 Drawing Sheets**



(56)

**References Cited**

U.S. PATENT DOCUMENTS

2007/0249262 A1\* 10/2007 Siu ..... A63H 5/00  
446/473

OTHER PUBLICATIONS

“Wyndset Grenade”, posted d [online], [retrieved Oct. 16, 2018].  
Retrieved from internet, <http://shop2.gzanders.com/scentcrusher-grenade-blower-wind-checker-vapor-system.html>.\*

“Wyndset Grenade”, posted Oct. 12, 2017 [Online], [retrieved Oct. 16, 2018]. Retrieved from internet, [https://www.amazon.com/Wyndscnt-Grenade-Estrus-Archery-EqEquipment/dp/B01LZ1QH8D/ref=pdEqbs\\_200\\_1\\_encoding=UTF8&pd\\_rd\\_i=B01LZ1QH8D&pd\\_rd\\_r=eda12957-b762-11e8-b0f9-c7ae12119d6e&pd\\_rd\\_w=dRGP2&pd\\_rd\\_wg=qnjsX&pf\\_rd\\_i=desktop-dp](https://www.amazon.com/Wyndscnt-Grenade-Estrus-Archery-EqEquipment/dp/B01LZ1QH8D/ref=pdEqbs_200_1_encoding=UTF8&pd_rd_i=B01LZ1QH8D&pd_rd_r=eda12957-b762-11e8-b0f9-c7ae12119d6e&pd_rd_w=dRGP2&pd_rd_wg=qnjsX&pf_rd_i=desktop-dp).\*

\* cited by examiner

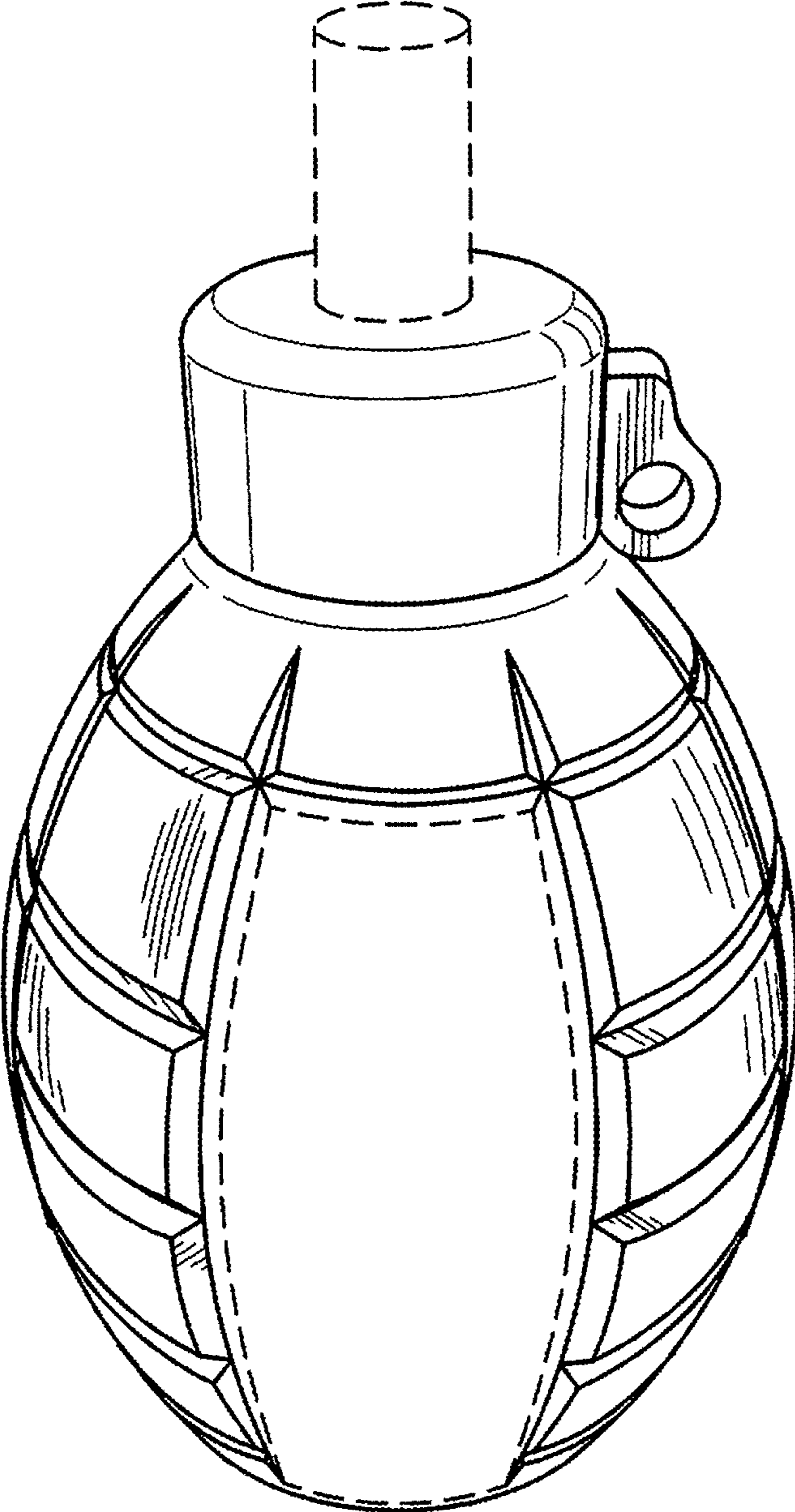


FIG. 1

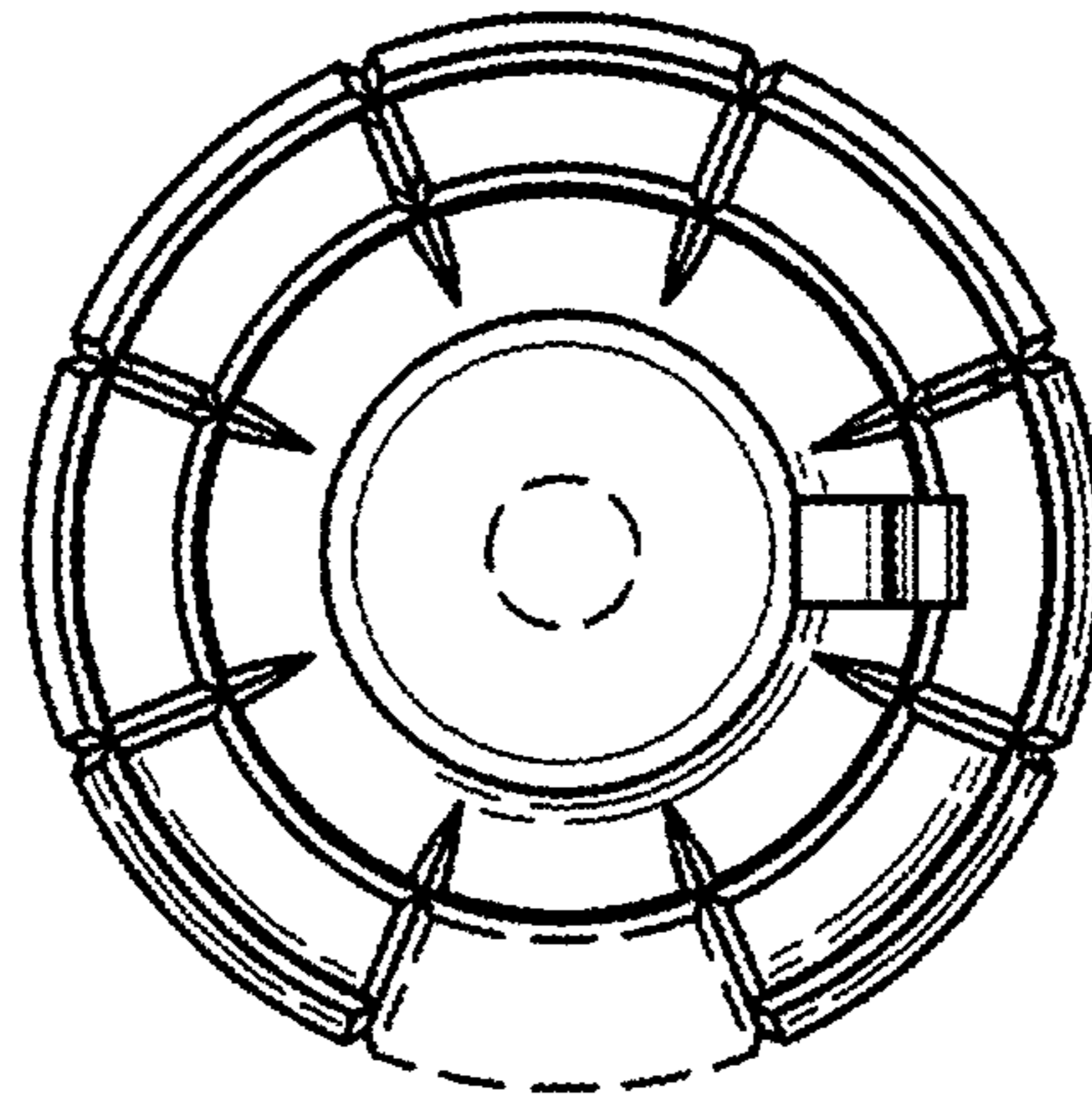


FIG. 3

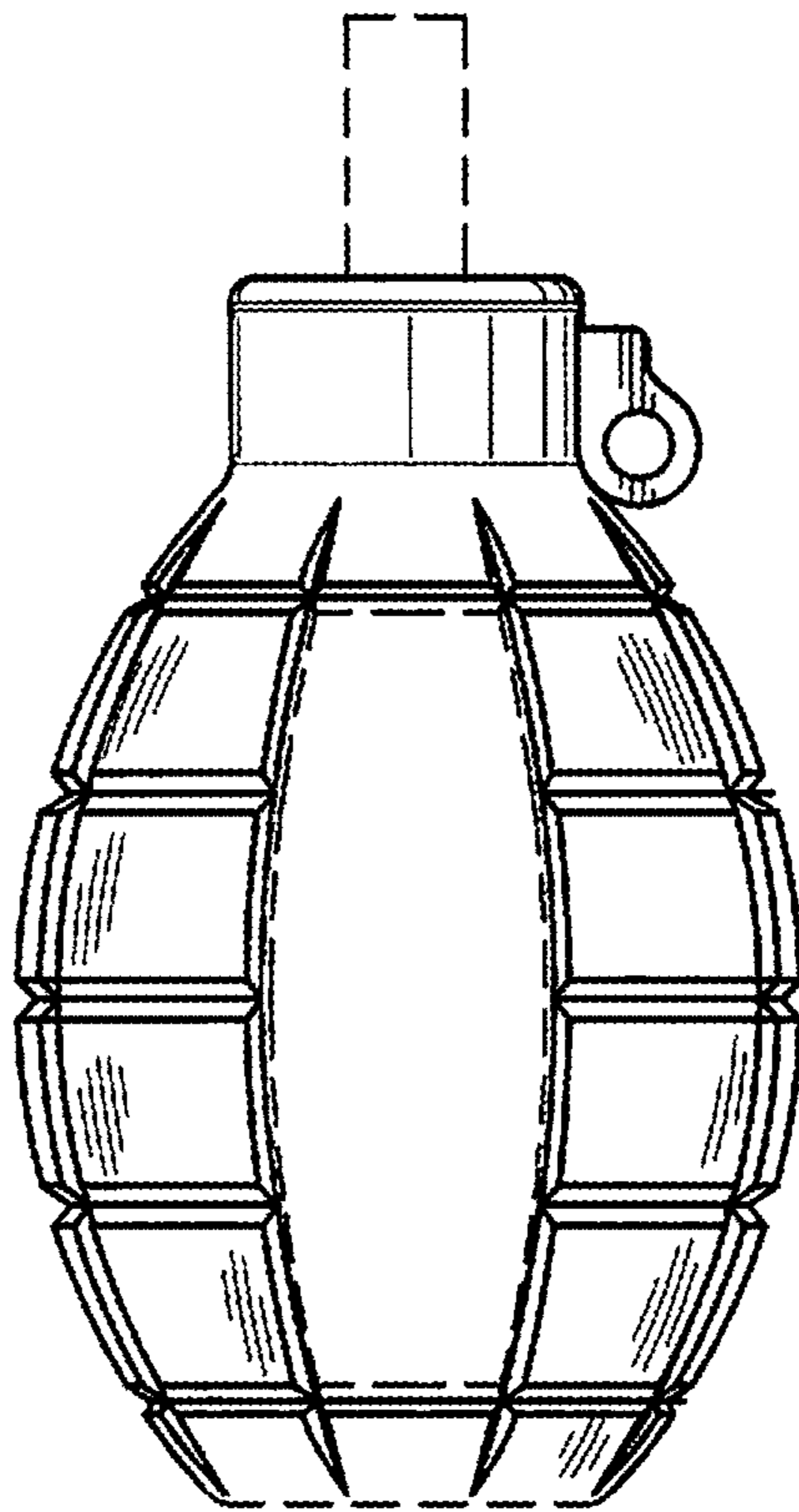


FIG. 2

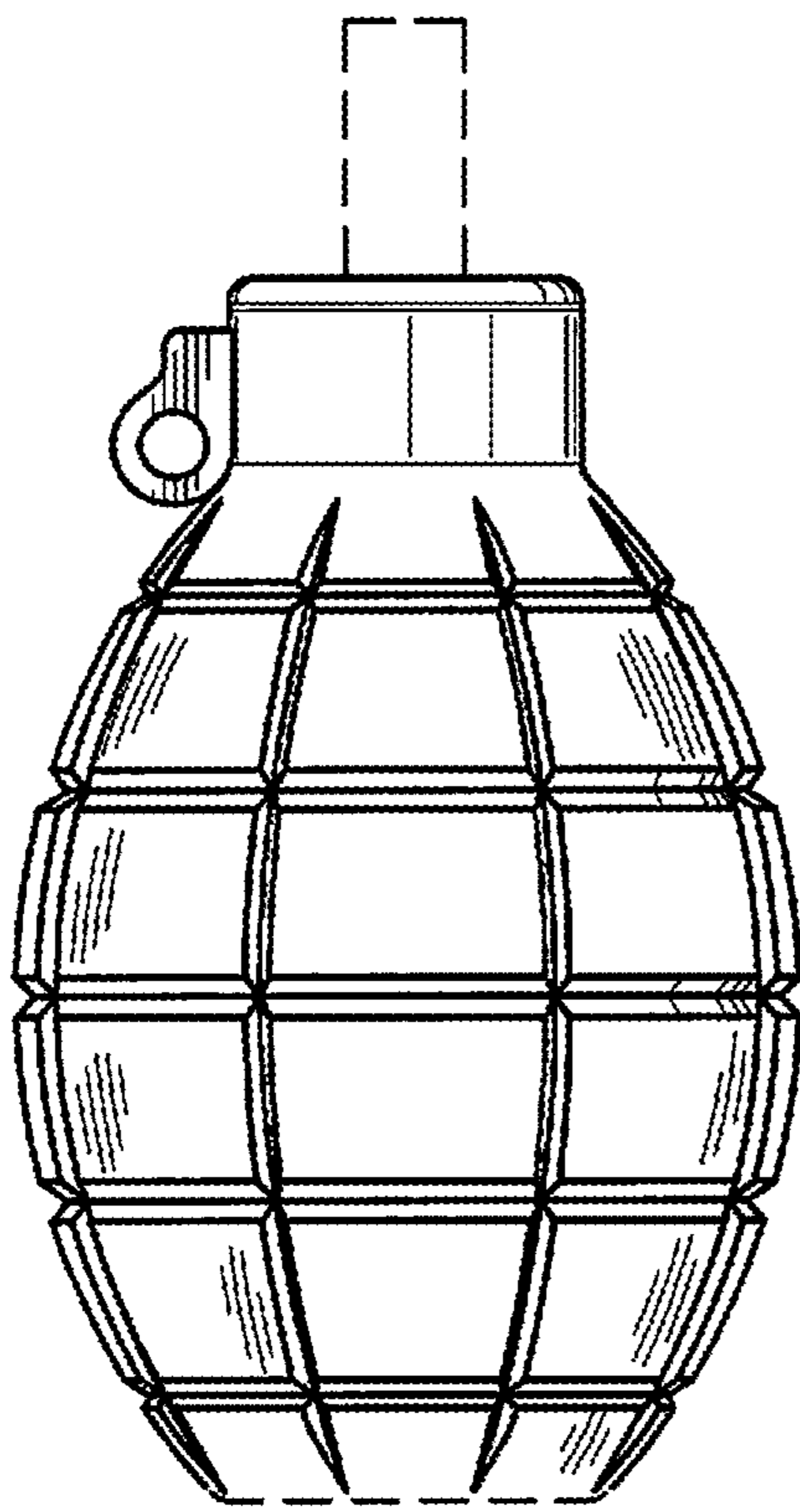


FIG. 4

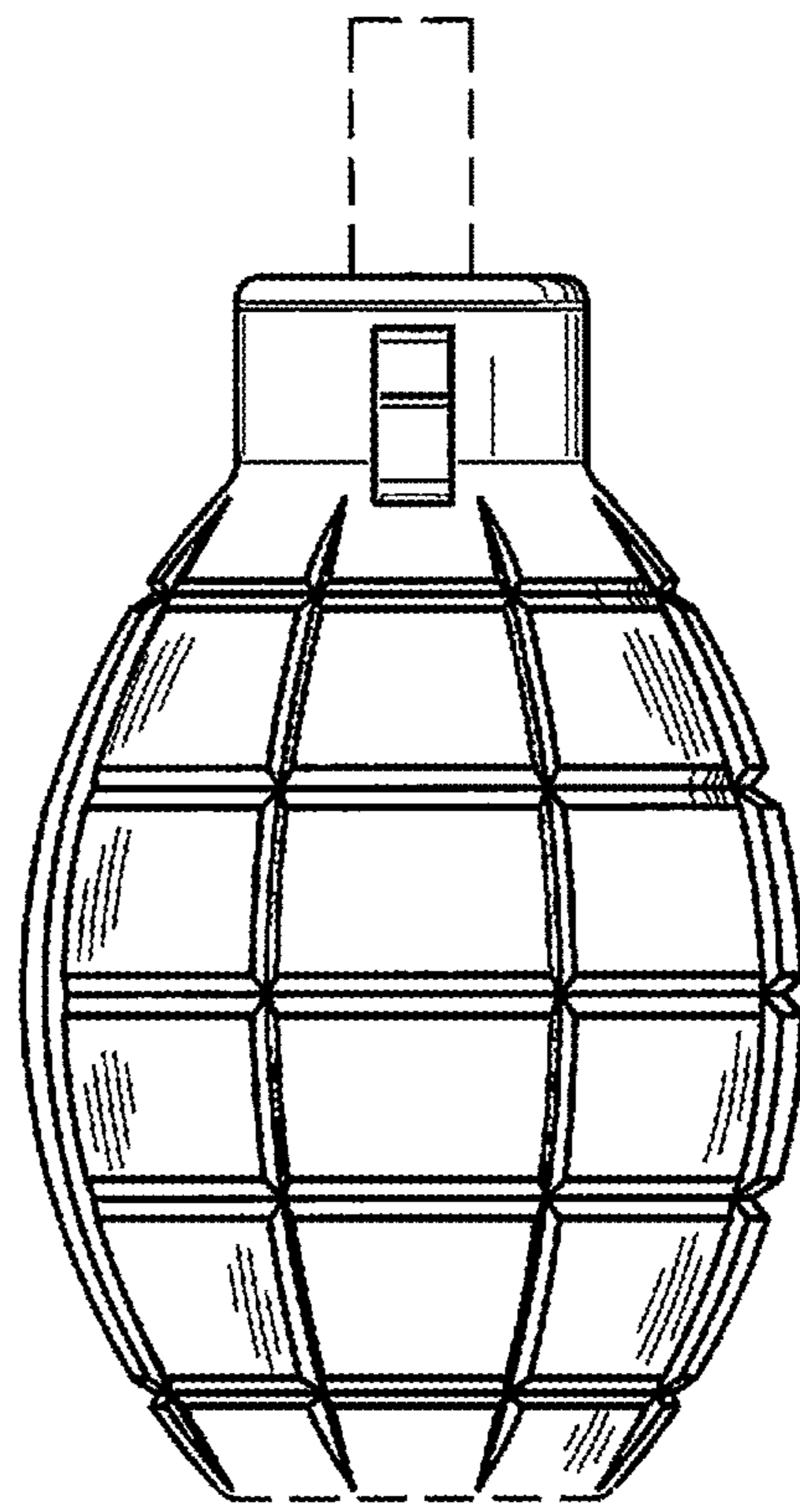


FIG. 5

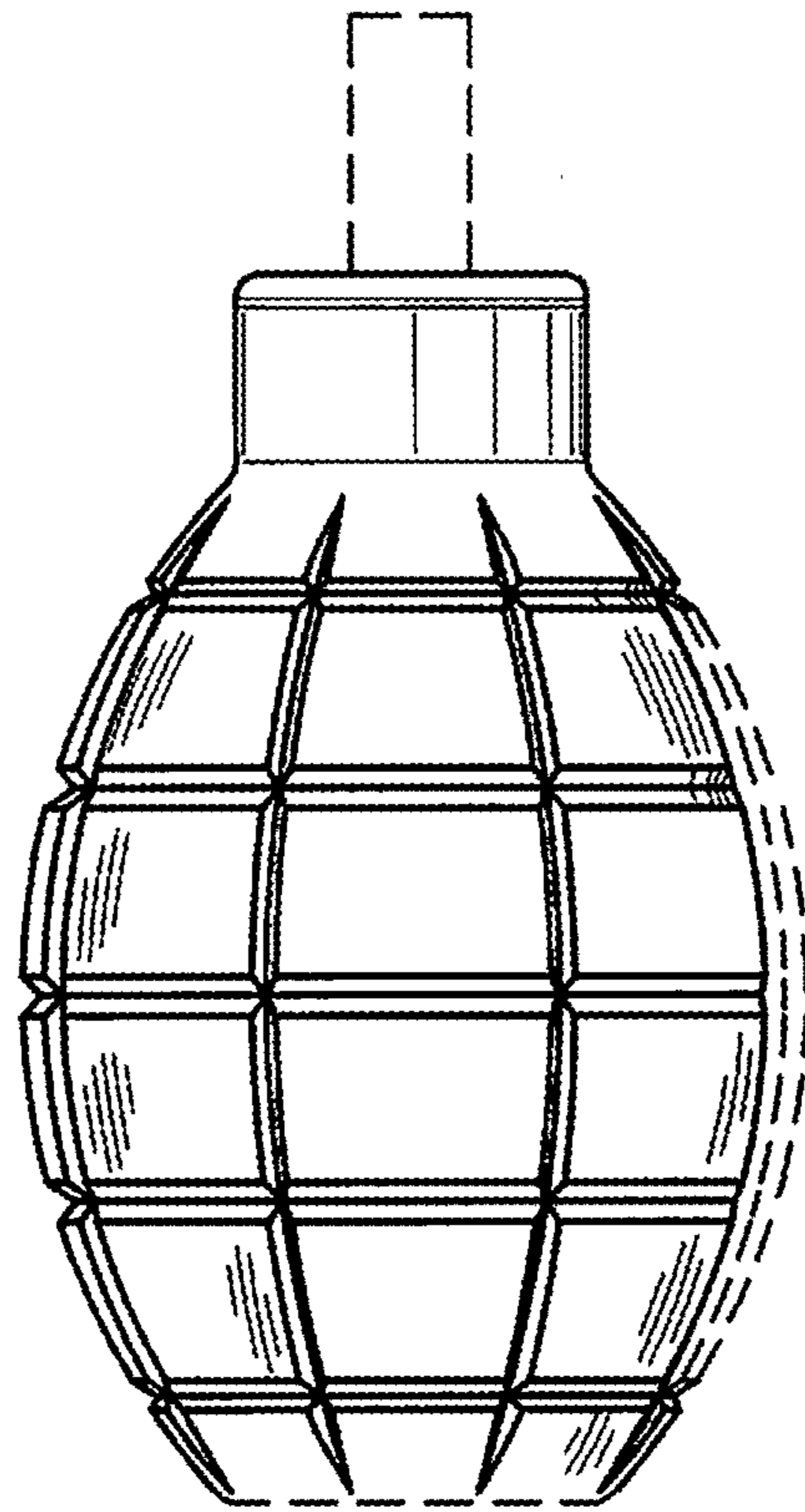


FIG. 6

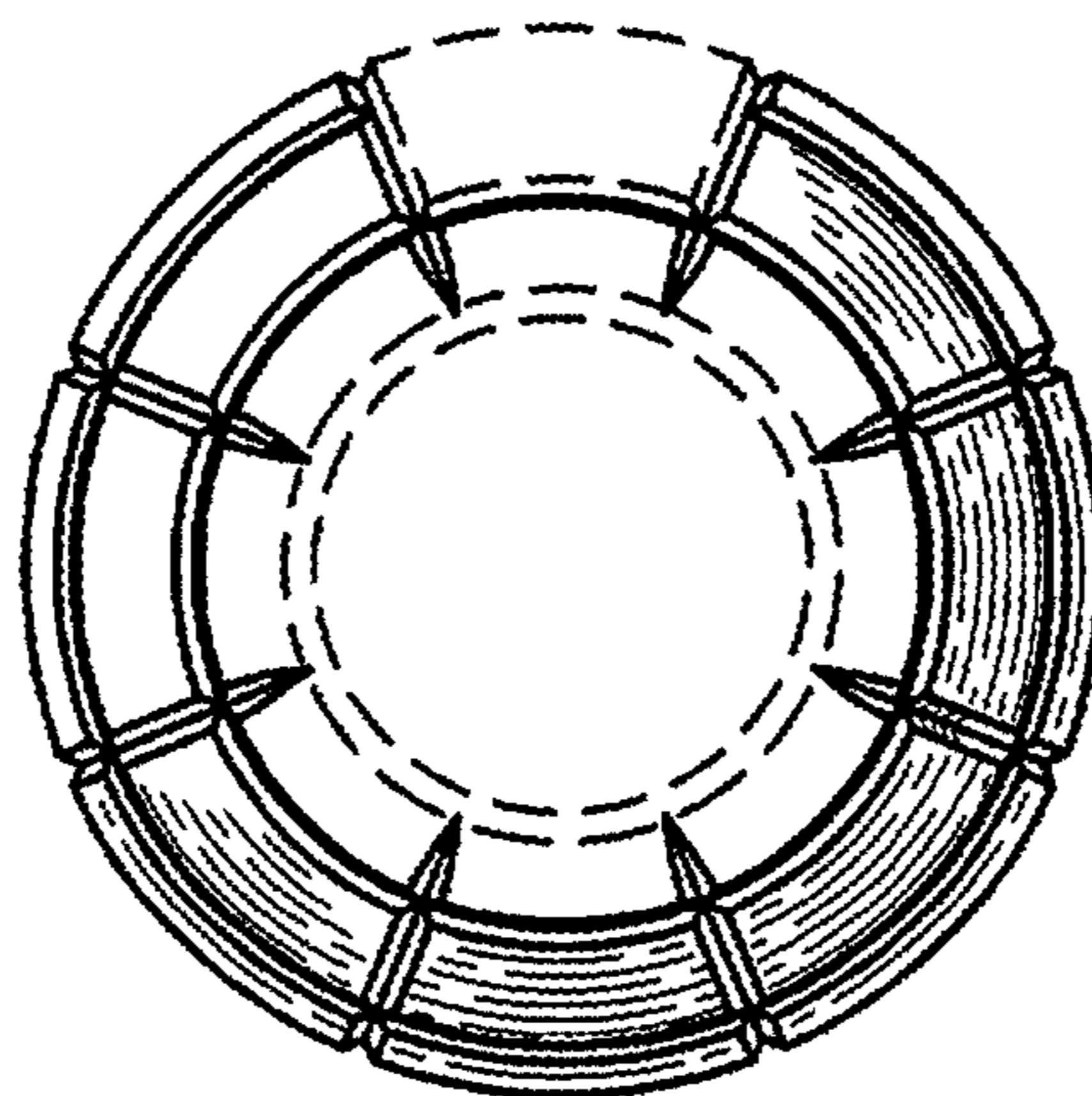


FIG. 7