



US00D848567S

(12) **United States Design Patent**
Soejima

(10) **Patent No.:** **US D848,567 S**

(45) **Date of Patent:** **** May 14, 2019**

(54) **SIGHTING DEVICE**

(71) Applicant: **Nikon Vision Co., Ltd.**, Tokyo (JP)

(72) Inventor: **Kenichi Soejima**, Tokyo (JP)

(73) Assignee: **Nikon Vision Co., Ltd.**, Tokyo (JP)

(**) Term: **15 Years**

(21) Appl. No.: **29/624,027**

(22) Filed: **Oct. 30, 2017**

(51) **LOC (11) Cl.** **22-01**

(52) **U.S. Cl.**

USPC **D22/109**

(58) **Field of Classification Search**

USPC D16/200, 202-205, 208, 218, 219, 235,
D16/242; D22/108-110; 250/214 VT,
250/574; 348/164, 360; 359/358, 819,
359/826-828; 396/529-532; 42/90, 99,
42/111-114, 146

CPC G03B 17/02; G03B 19/04; G03B 17/56;
G03B 17/04; G03B 15/03; G03B 17/14;
H04N 5/2251; H04N 5/2252; H04N
5/2253; H04N 5/2254; F41G 1/35; F41G
11/003; F41G 1/00; F41G 1/36; F41G
1/34; F41G 3/26

See application file for complete search history.

(56) **References Cited**

U.S. PATENT DOCUMENTS

D612,006 S *	3/2010	Kohler	D22/109
8,087,196 B2 *	1/2012	Jung	F41G 1/30 42/113
D662,566 S *	6/2012	Estes	D22/109
D676,096 S *	2/2013	Gambino	D22/109
D704,296 S *	5/2014	Cheng	D22/109
D730,477 S *	5/2015	Huynh	D22/109
D747,431 S *	1/2016	Cheng	D22/109
9,500,442 B2 *	11/2016	Collin	G03H 1/0005
RE46,226 E *	12/2016	Gambino	D22/109

D784,480 S *	4/2017	Oz	D22/109
10,060,702 B2 *	8/2018	Crispin	G02B 23/105
2008/0216379 A1 *	9/2008	Javorsky	F41G 1/12 42/115
2016/0102943 A1 *	4/2016	Teetzel	F41G 1/35 42/113

OTHER PUBLICATIONS

[No Author Listed] Tactical Reflex Sight with Rear-Facing Brightness. Cabella's. <http://www.cabelas.com/product/CABELAS-TACTICAL-REFLEX-SIGHT-W-BUTTON/1981906.uts?slotled=8> [last accessed Jan. 30, 2017].

* cited by examiner

Primary Examiner — Ramzi S Almatrahi

(74) *Attorney, Agent, or Firm* — Wolf, Greenfield & Sacks, P.C.

(57) **CLAIM**

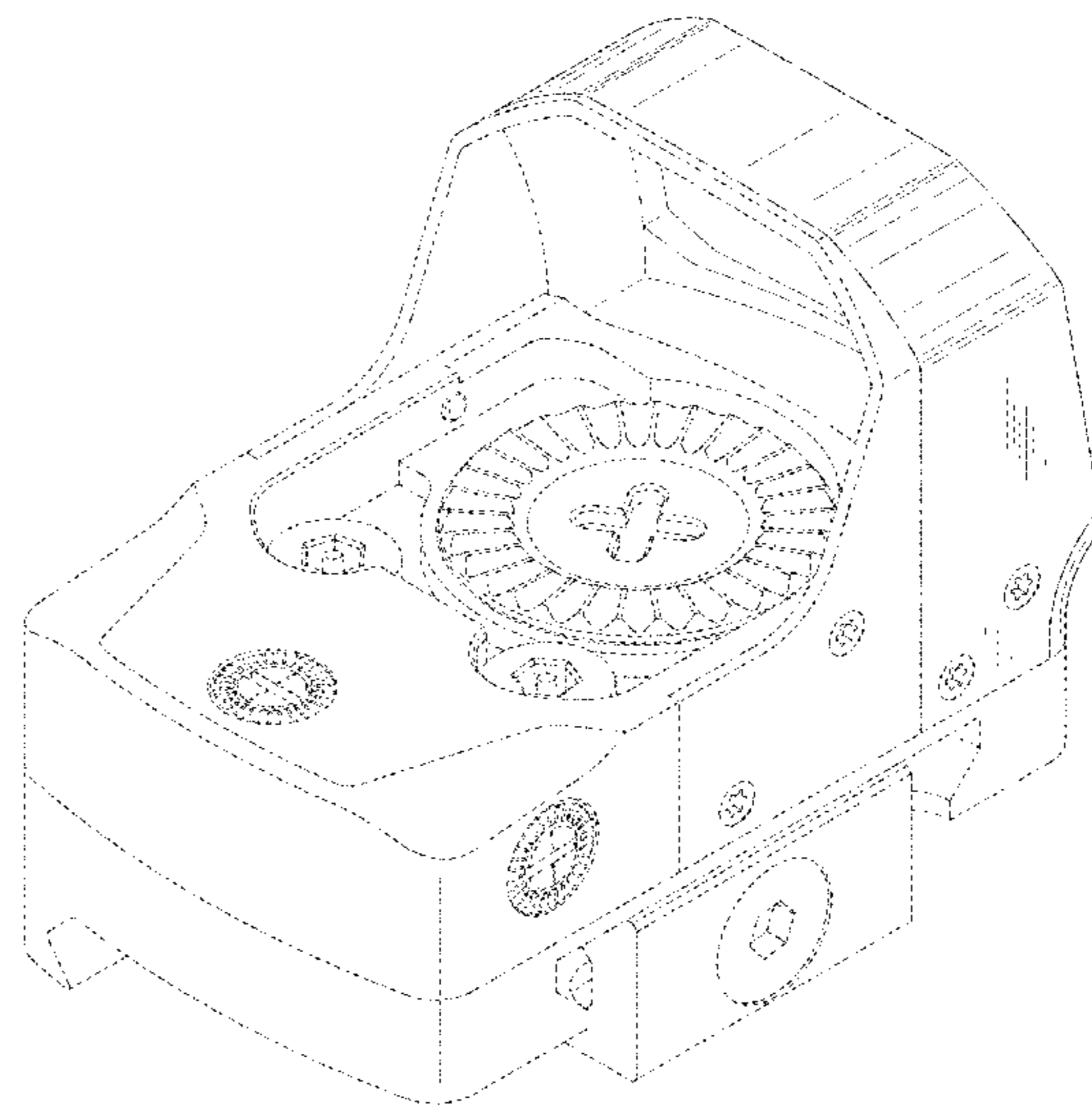
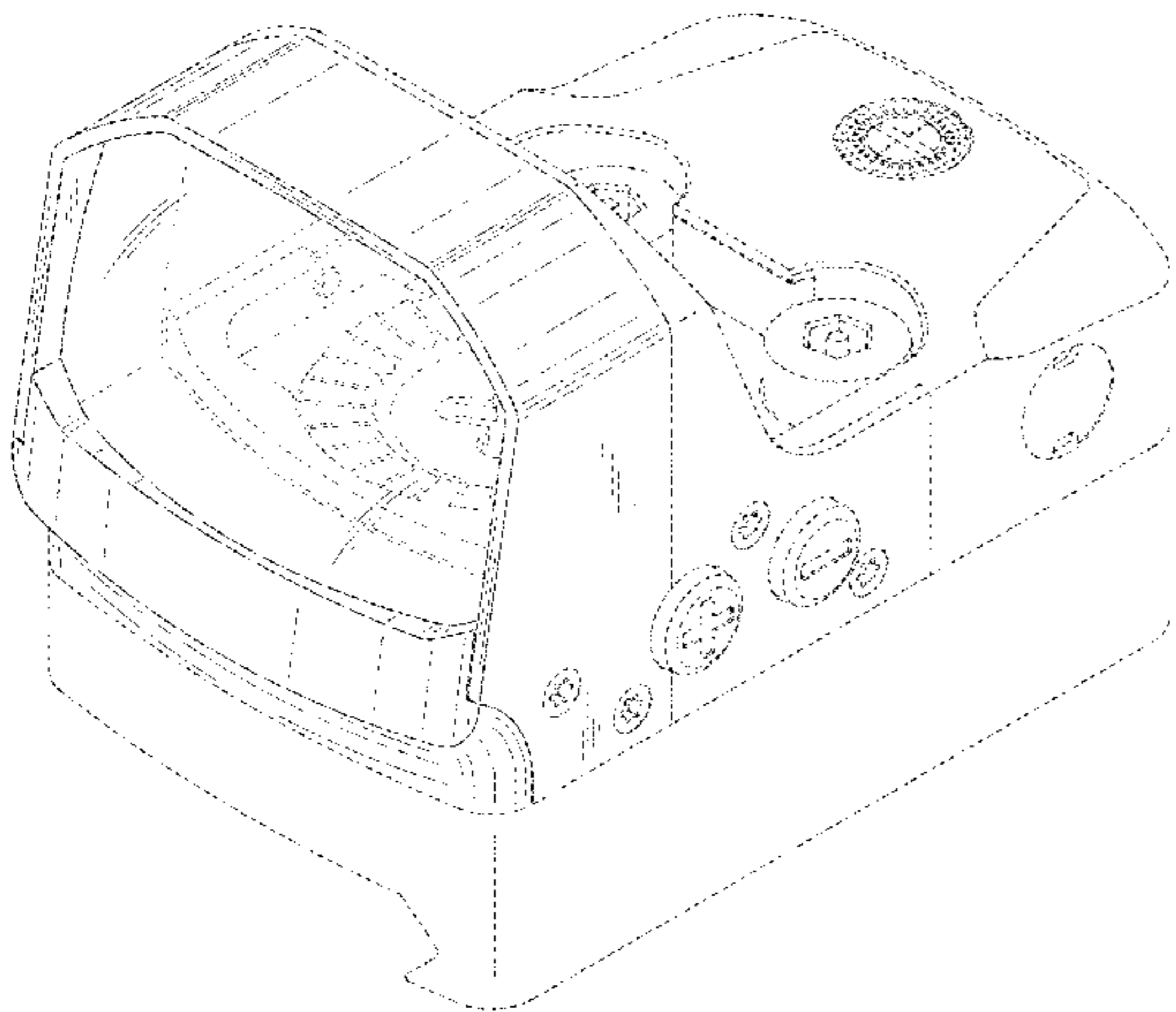
The ornamental design for a sighting device, as shown and described.

DESCRIPTION

FIG. 1 is a front, top and left side perspective view of a sighting device showing my new design;
FIG. 2 is a rear, top and right side perspective view thereof;
FIG. 3 is a front view thereof;
FIG. 4 is a rear view thereof;
FIG. 5 is a top plan view thereof;
FIG. 6 is a bottom plan view thereof;
FIG. 7 is a right side view thereof; and,
FIG. 8 is a left side view thereof.

The broken lines illustrate portions of the sighting device and form no part of the claimed design. The dash-dotted lines in FIG. 1, FIG. 2, FIG. 3, FIG. 4, and FIG. 5 denote the boundary of the claim and form no part of the claimed design.

1 Claim, 8 Drawing Sheets



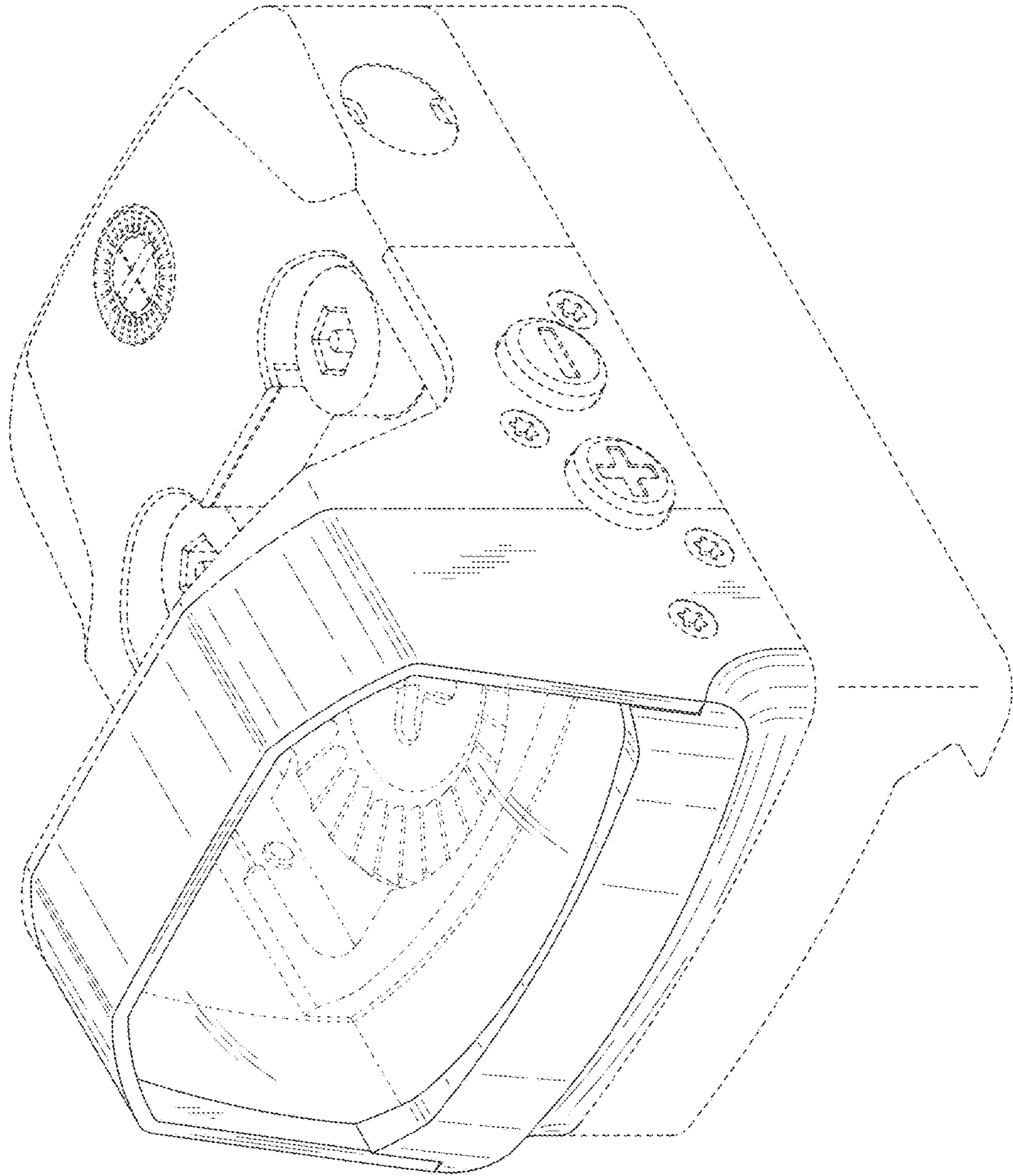


Fig.1

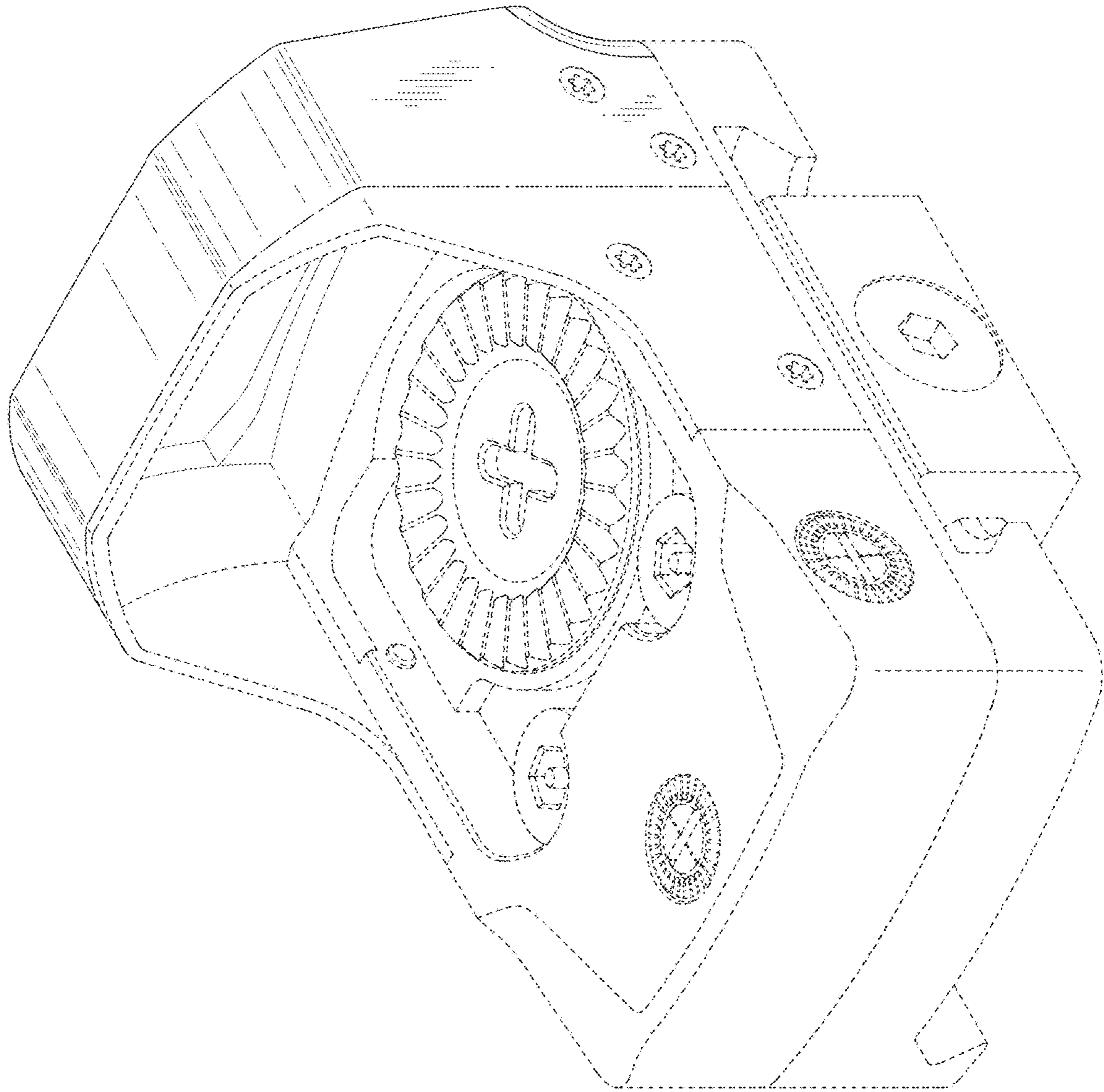


Fig.2

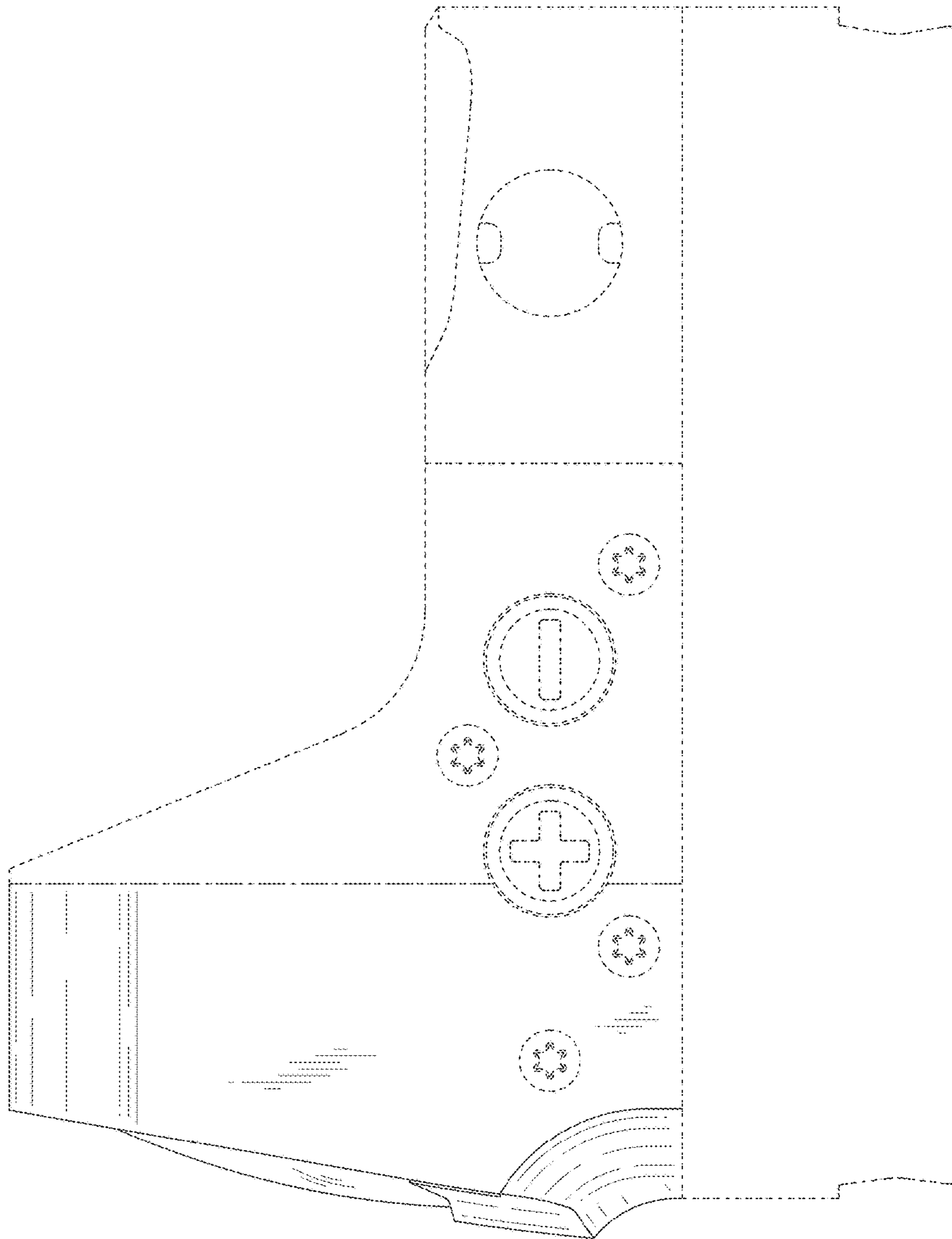
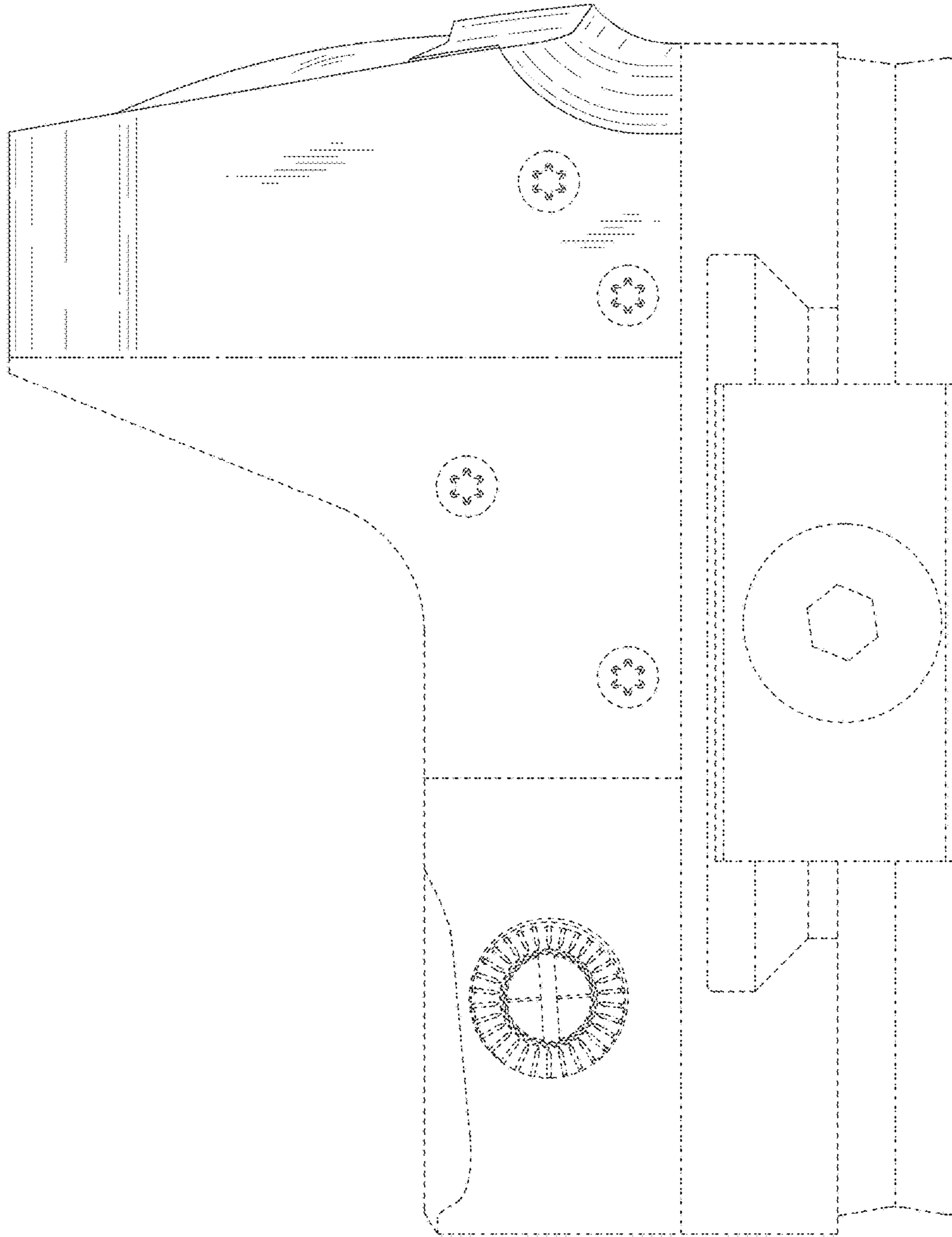


Fig. 3

Fig.4



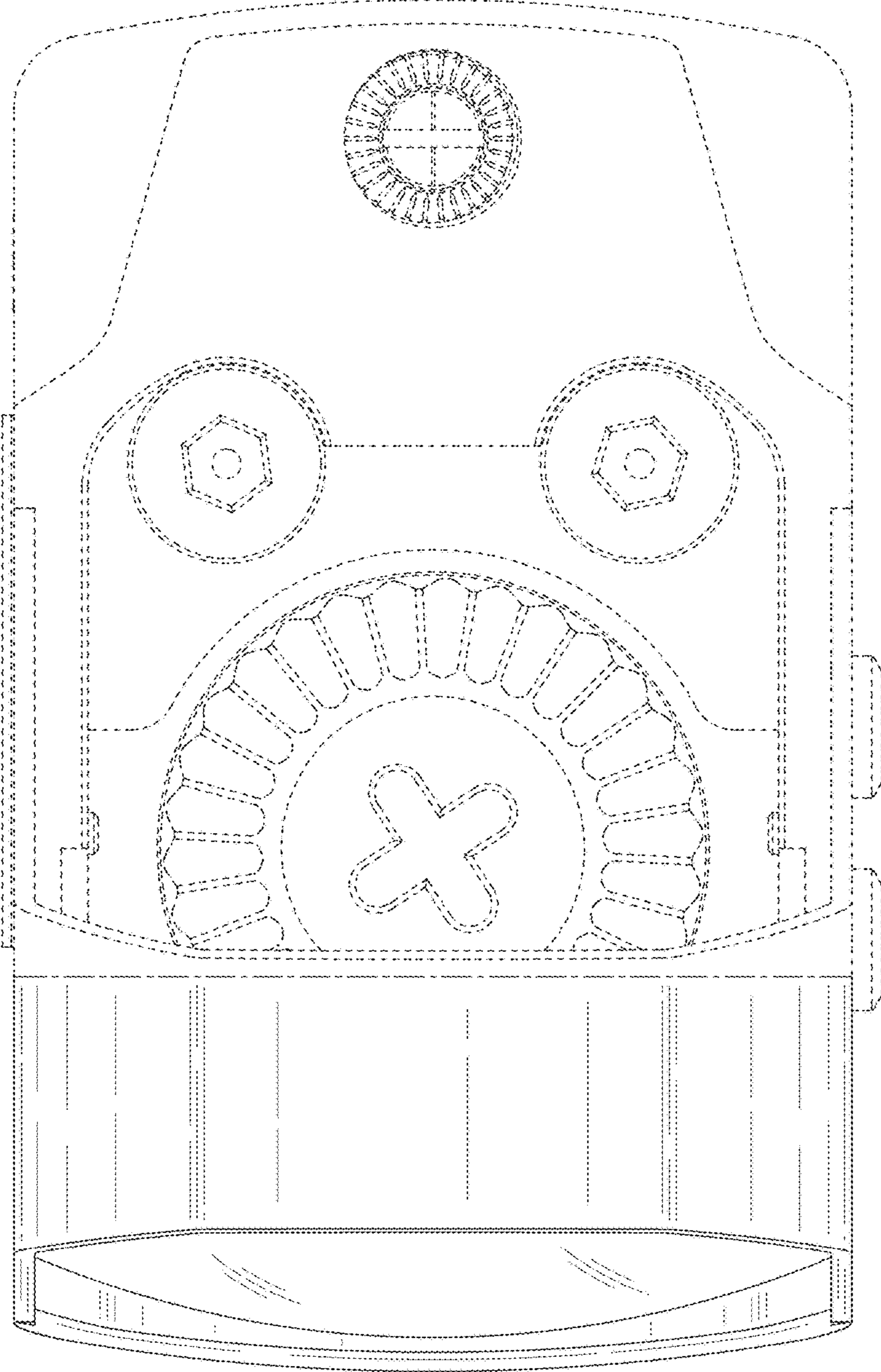


Fig.5

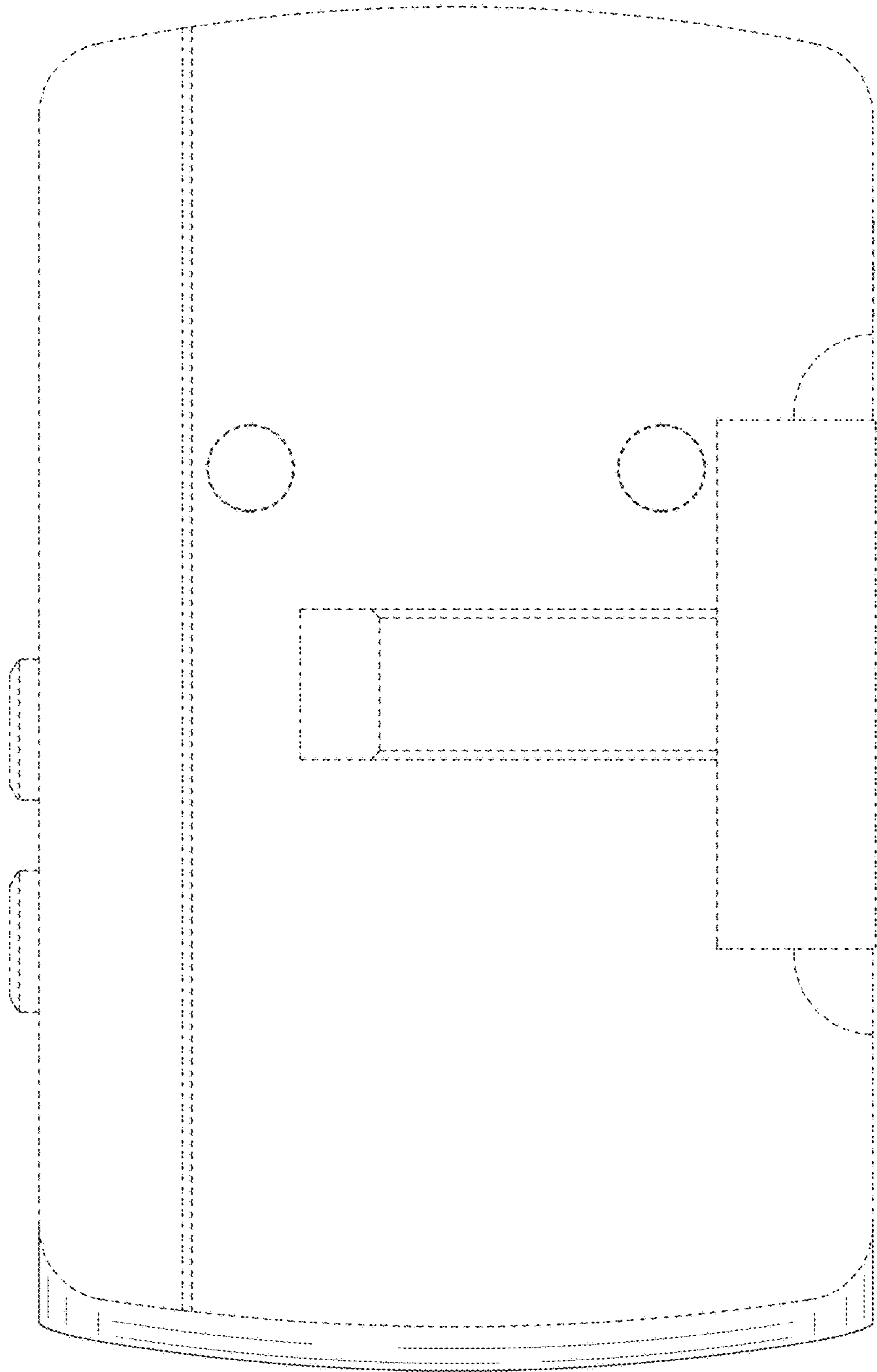


Fig.6

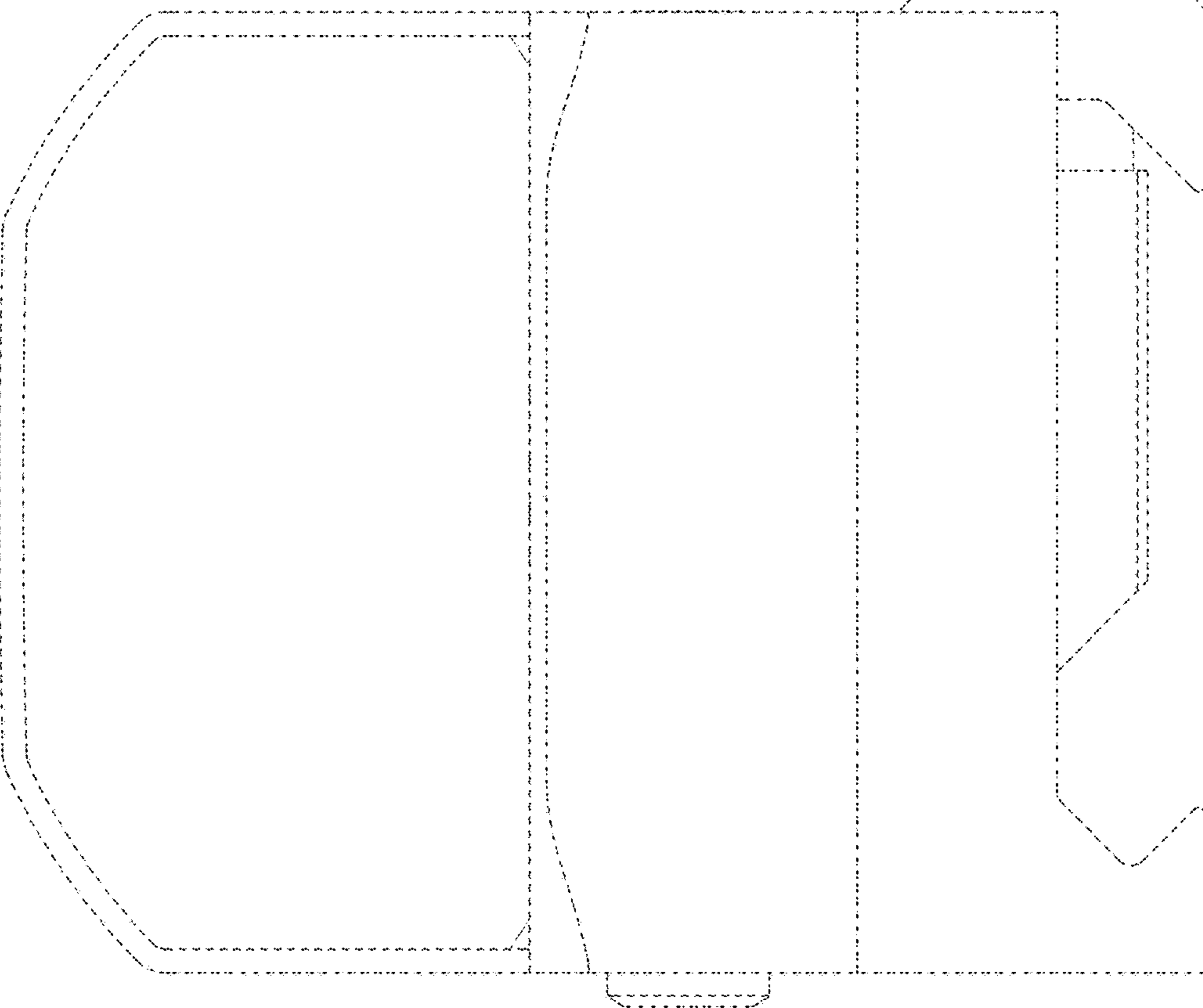


Fig.7

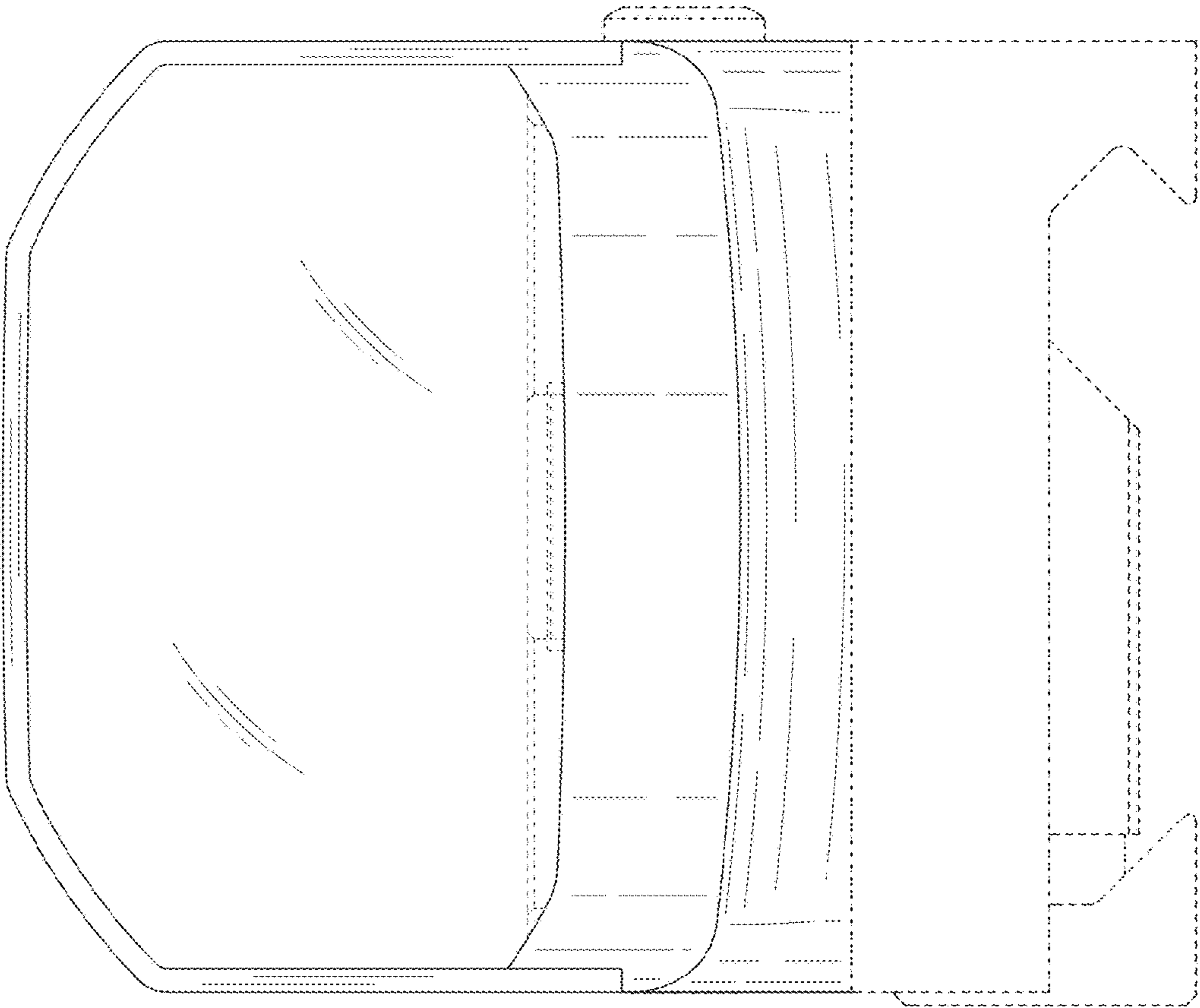


Fig. 8