



US00D848565S

(12) **United States Design Patent** (10) **Patent No.:** **US D848,565 S**  
**Lavin et al.** (45) **Date of Patent:** **\*\* May 14, 2019**

(54) **CARTRIDGE**

(71) Applicant: **Axon Enterprise, Inc.**, Scottsdale, AZ (US)

(72) Inventors: **Albert K. Lavin**, Scottsdale, AZ (US);  
**Milan Cerovic**, Scottsdale, AZ (US);  
**Luke A. Salisbury**, Scottsdale, AZ (US)

(73) Assignee: **Axon Enterprise, Inc.**, Scottsdale, AZ (US)

(\*\*) Term: **15 Years**

(21) Appl. No.: **29/600,995**

(22) Filed: **Apr. 18, 2017**

(51) **LOC (11) Cl.** ..... **22-01**

(52) **U.S. Cl.**  
USPC ..... **D22/108**

(58) **Field of Classification Search**  
USPC ..... D22/108, 117  
CPC ..... F41B 11/55; F41B 11/51; F41B 11/62  
See application file for complete search history.

(56) **References Cited**

**U.S. PATENT DOCUMENTS**

D323,870 S *	2/1992	Kaufman	.....	D22/117
D371,417 S *	7/1996	Franks	.....	D14/191
D451,165 S *	11/2001	Fleischhauer	.....	D22/117
D470,212 S *	2/2003	Cardwell, III	.....	D22/117
D539,376 S *	3/2007	Rhee	.....	D22/117
D539,866 S *	4/2007	Rhee	.....	D22/117
D552,207 S *	10/2007	Rhee	.....	D22/117
D570,948 S *	6/2008	Cerovic	.....	D22/108
D573,223 S *	7/2008	Kostal	.....	D22/117
D602,109 S *	10/2009	Cerovic	.....	D22/108
D611,115 S *	3/2010	Pennington	.....	D22/117
D651,679 S *	1/2012	Klug	.....	D22/108
D661,771 S *	6/2012	Nawaz	.....	D22/117
D702,312 S *	4/2014	Ying	.....	D22/117
D731,612 S *	6/2015	Ying	.....	D22/117

D736,885 S *	8/2015	Swan	.....	D22/108
D747,522 S *	1/2016	Sheikh	.....	D22/117
D784,484 S *	4/2017	Nawaz	.....	D22/117
D791,901 S *	7/2017	Swan	.....	D22/108
D806,824 S *	1/2018	Fan	.....	D22/117

\* cited by examiner

*Primary Examiner* — Michael A. Pratt

(74) *Attorney, Agent, or Firm* — Letham Law Firm

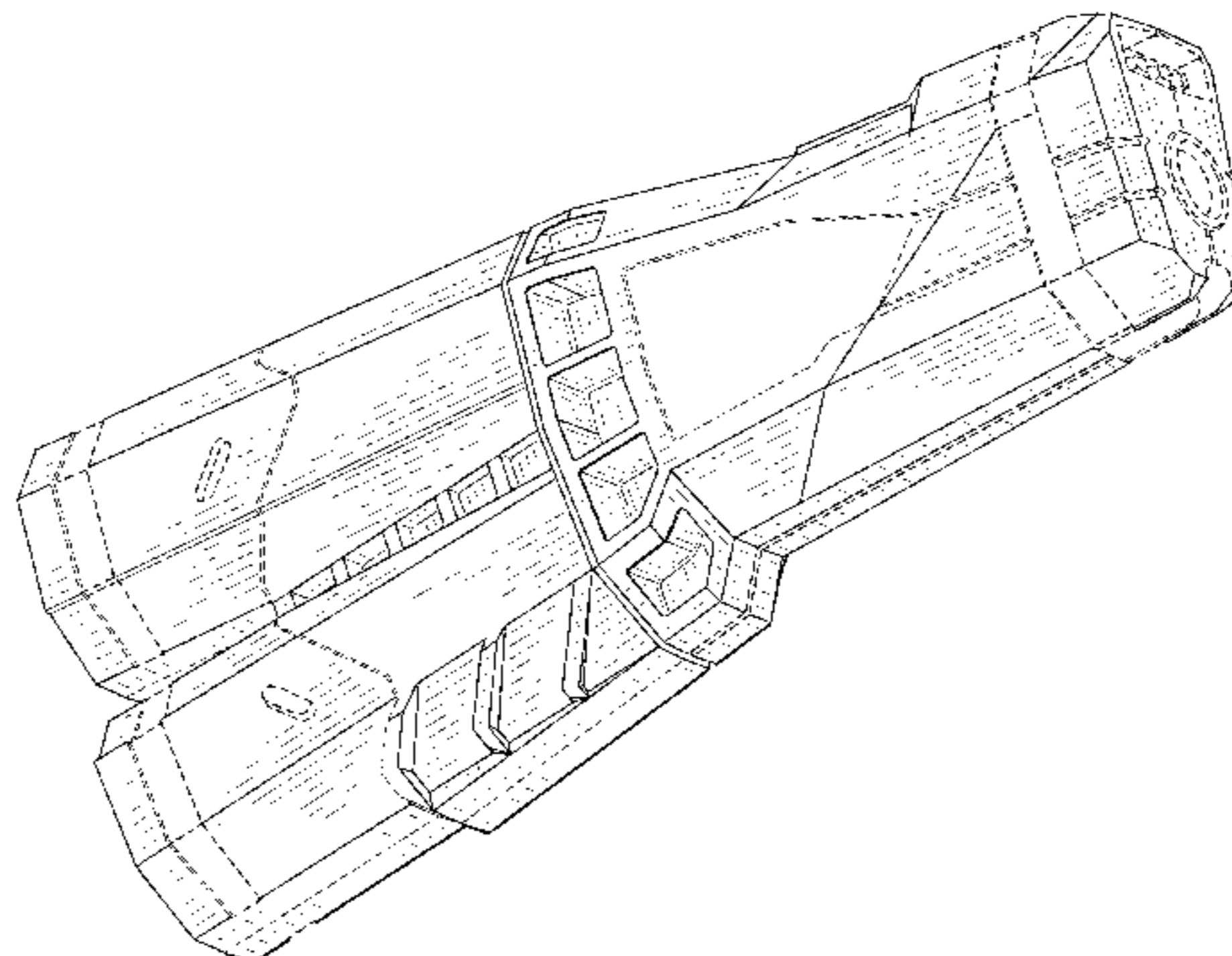
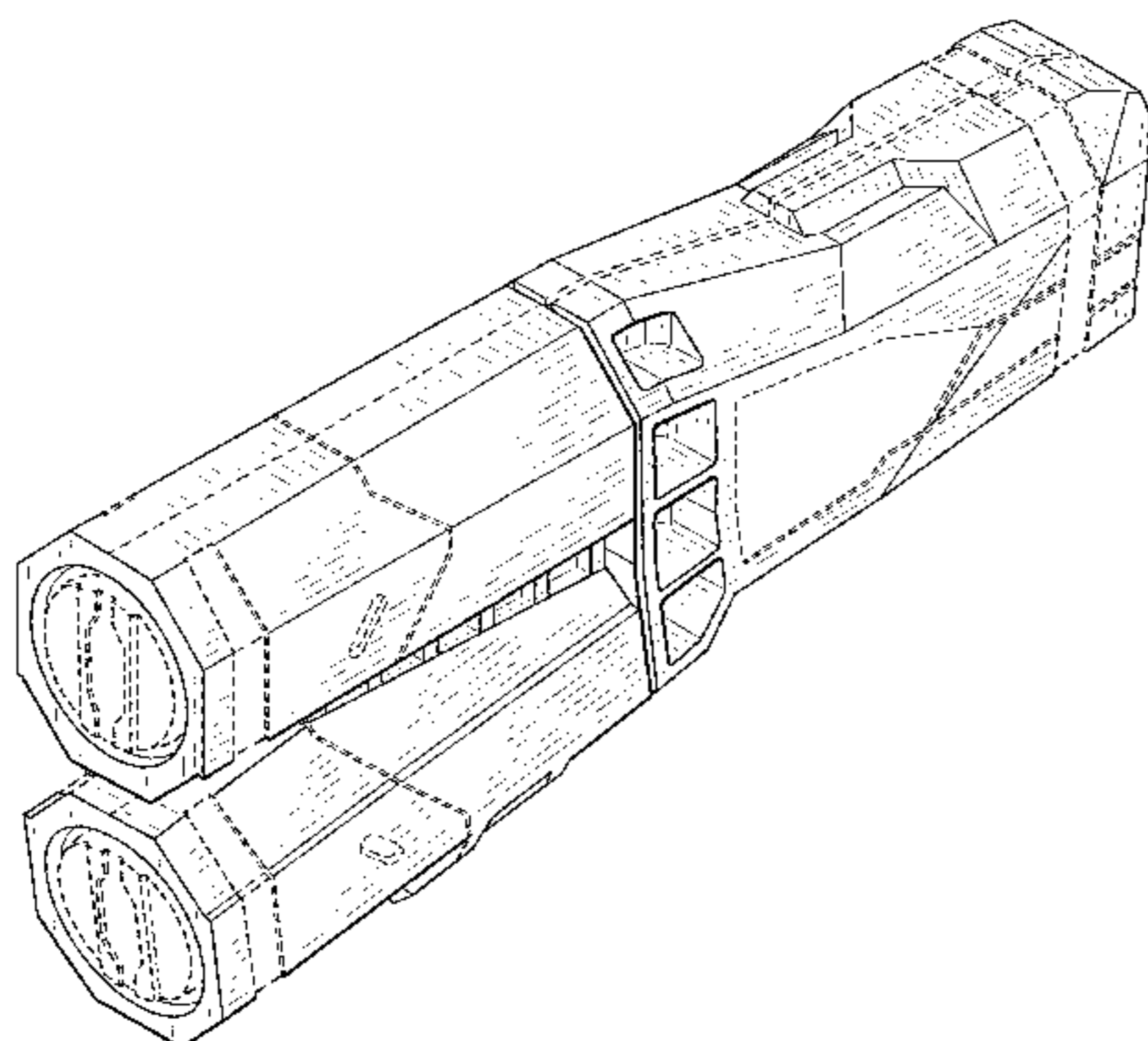
(57) **CLAIM**

The ornamental design for a cartridge, as shown and described.

**DESCRIPTION**

FIG. 1 is a perspective view of the cartridge with the left, front, and top of the cartridge visible;  
 FIG. 2 is a perspective view of the cartridge with the left, rear, and bottom of the cartridge visible;  
 FIG. 3 is a front view of the cartridge with the bottom of the cartridge oriented downward with respect to the page;  
 FIG. 4 is a rear view of the cartridge with the bottom of the cartridge oriented downward with respect to the page;  
 FIG. 5 is a view of the right side of the cartridge with the front of the cartridge oriented toward the right with respect to the figure number;  
 FIG. 6 is a view of the left side of the cartridge with the front of the cartridge oriented toward the left with respect to the figure number;  
 FIG. 7 is a view of the top side of the cartridge with the front of the cartridge oriented toward the right with respect to the figure number; and,  
 FIG. 8 is a view of the bottom side of the cartridge with the front of the cartridge oriented toward the right with respect to the figure number.  
 The dashed lines in the drawing show environment structure and form no part of the claimed design. Shading is not a part of the claimed design, but is used to illustrate surface contour.

**1 Claim, 7 Drawing Sheets**



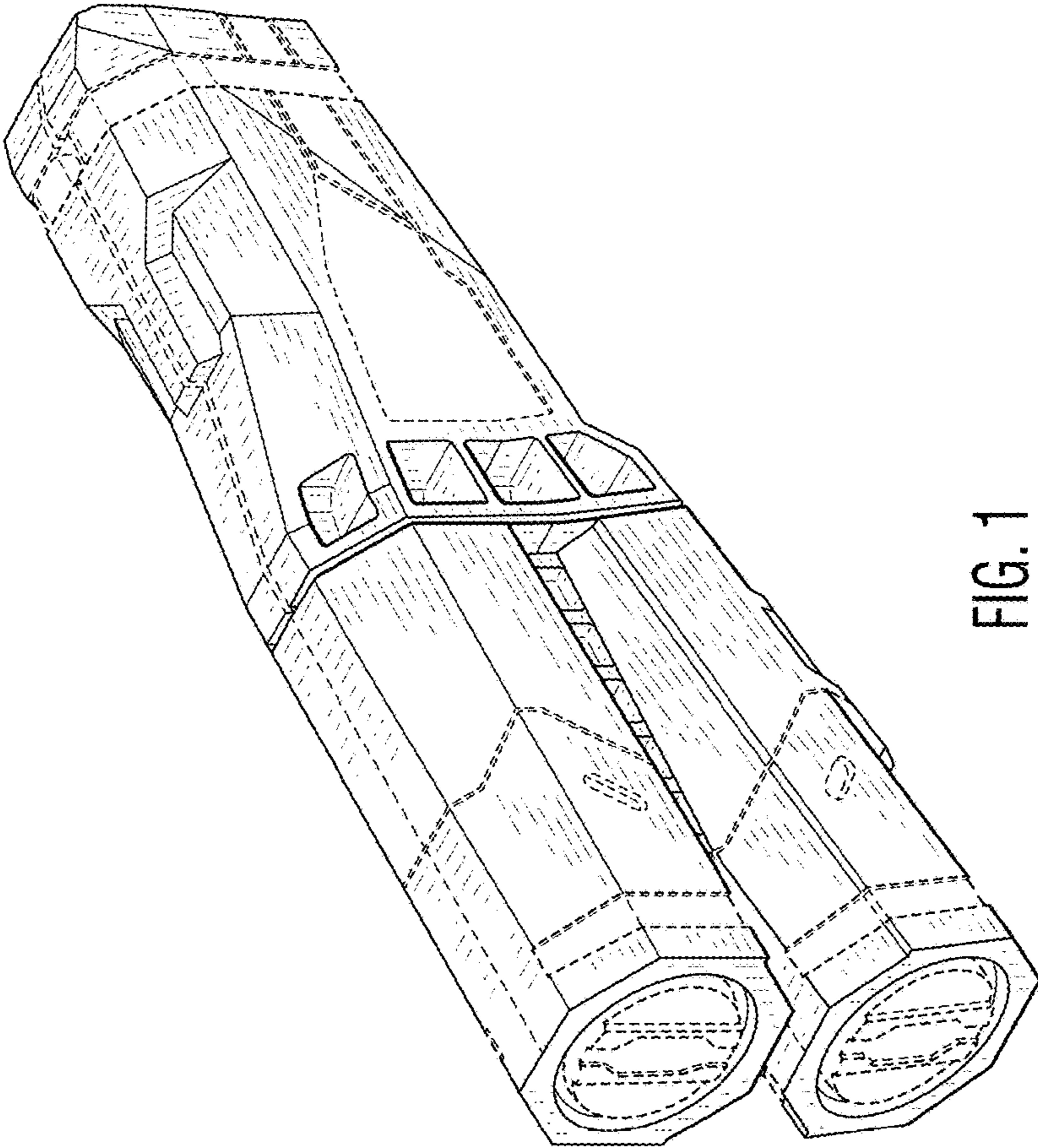


FIG. 1

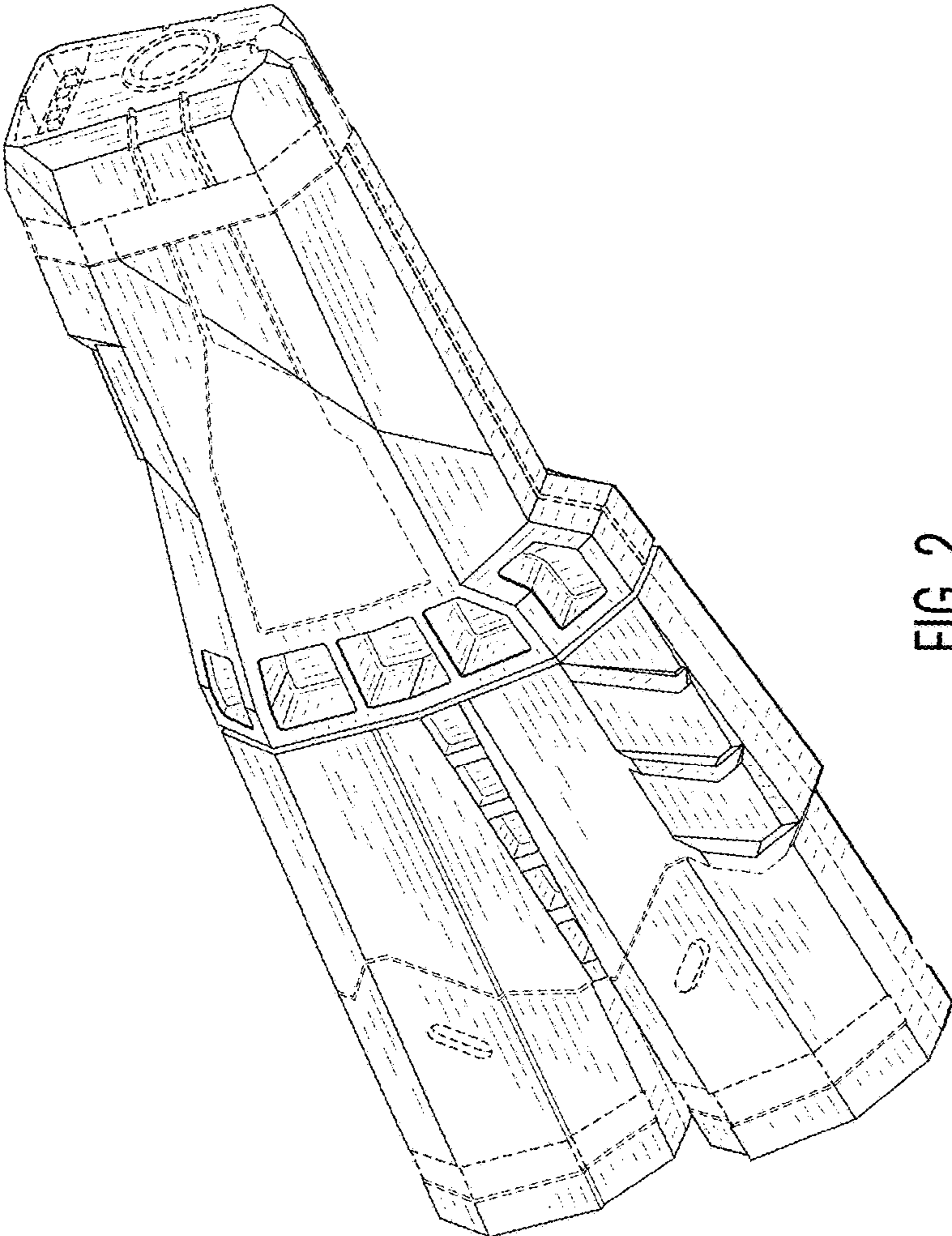


FIG. 2

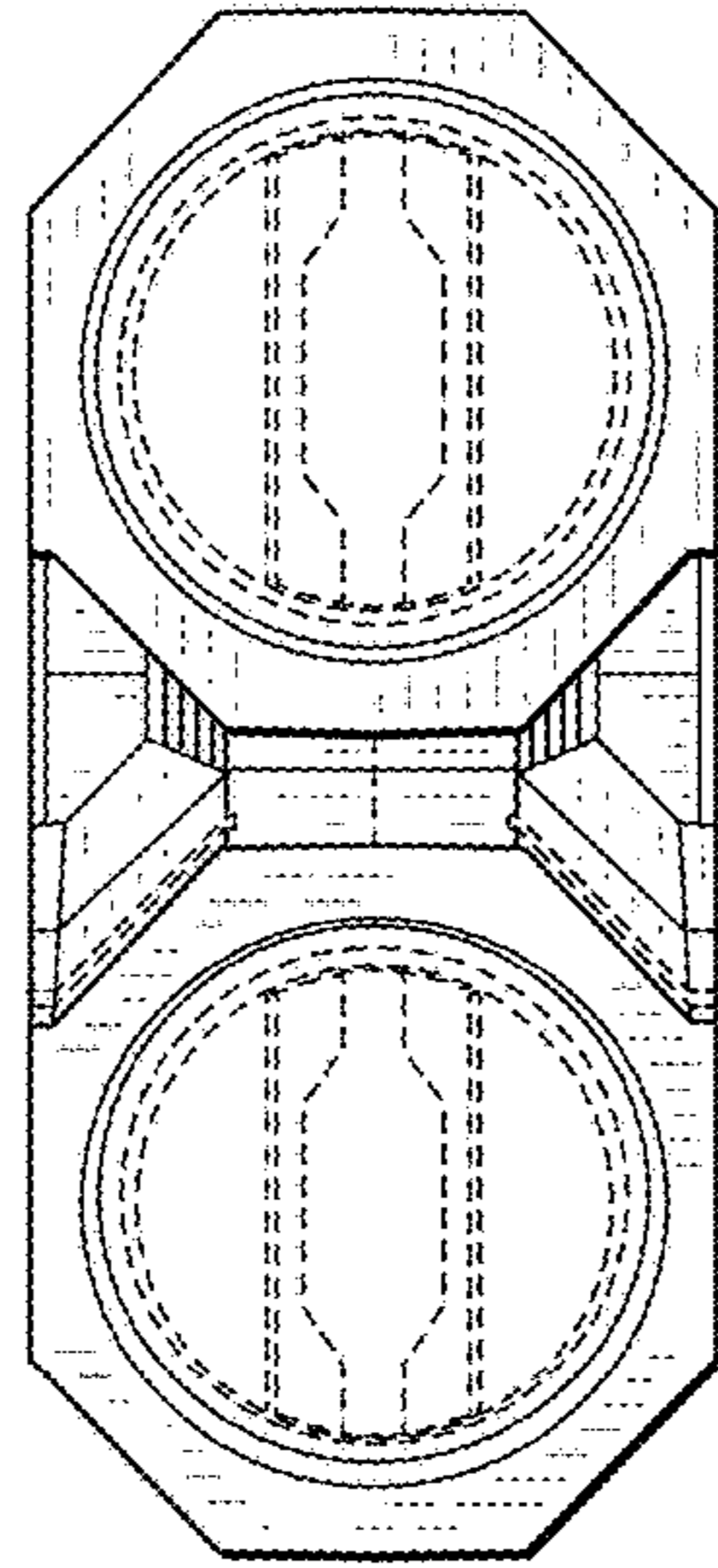


FIG. 3

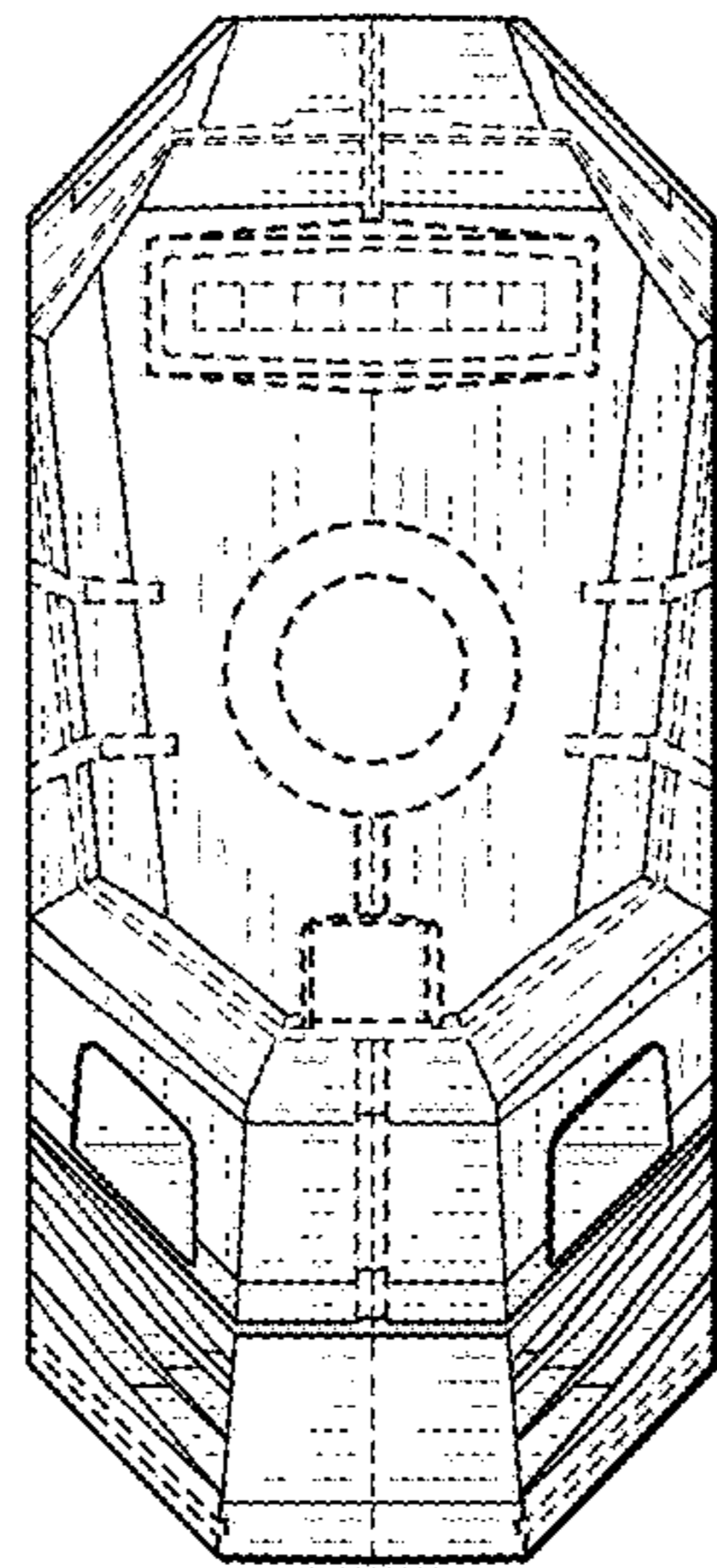


FIG. 4

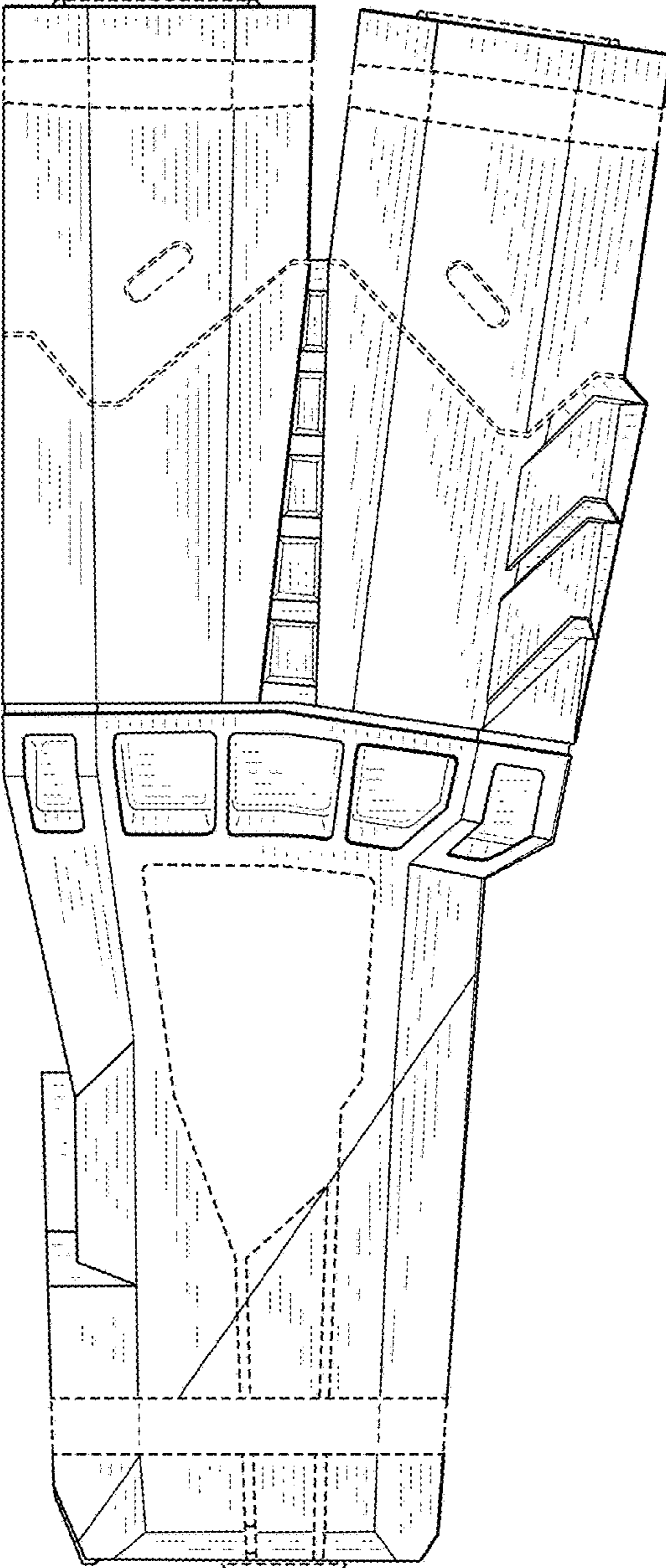


FIG. 5

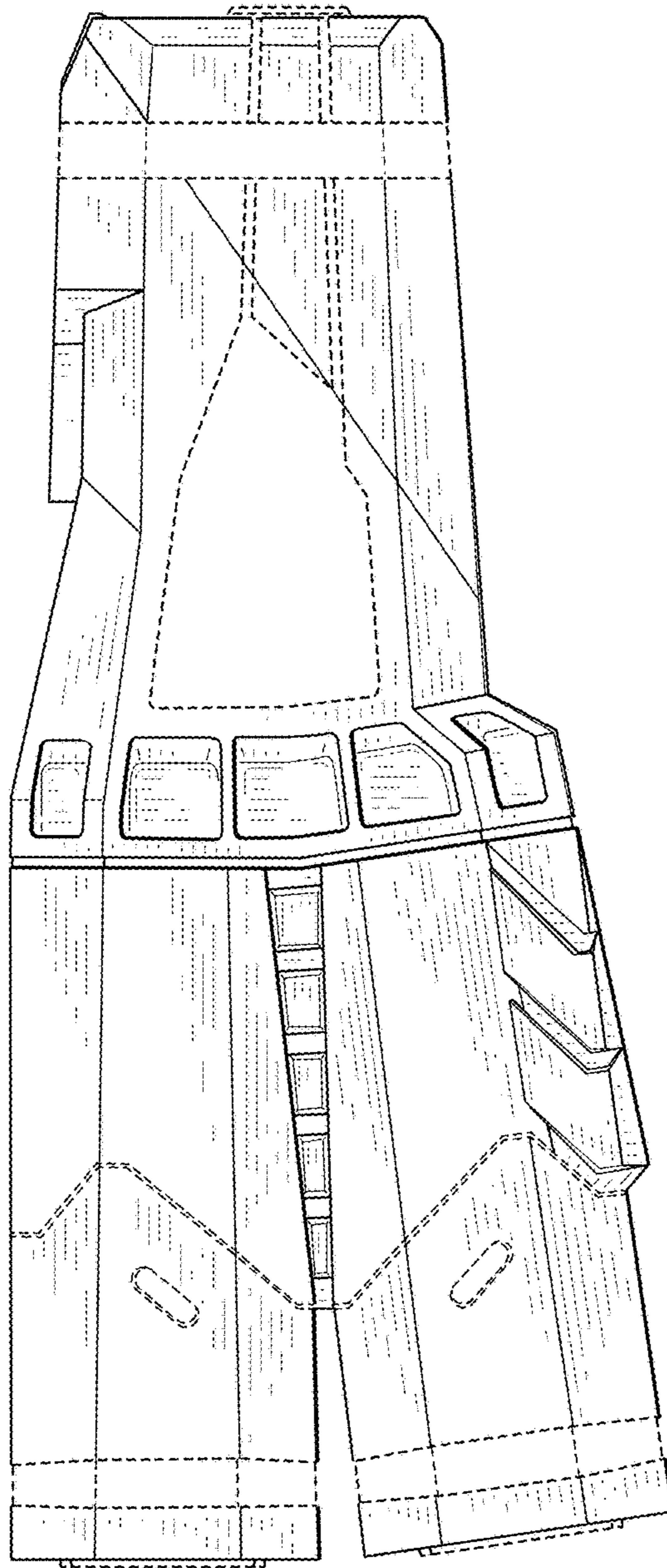


FIG. 6

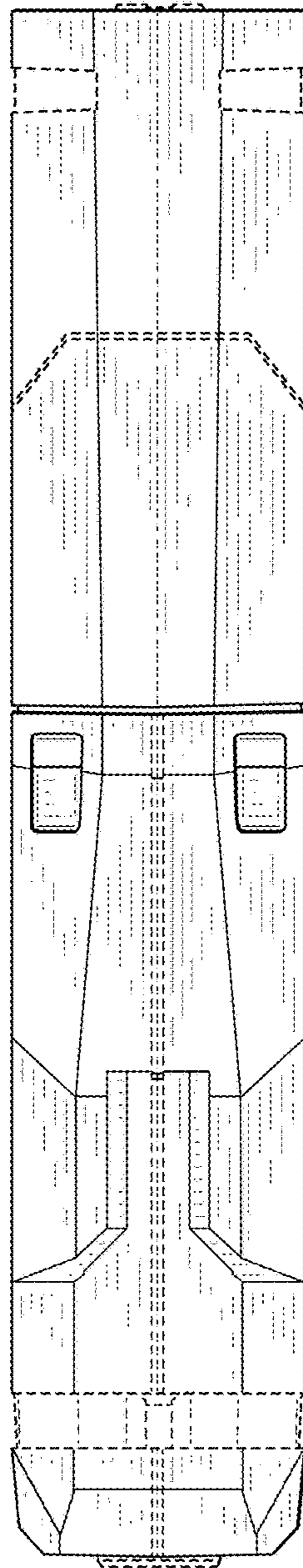


FIG. 7

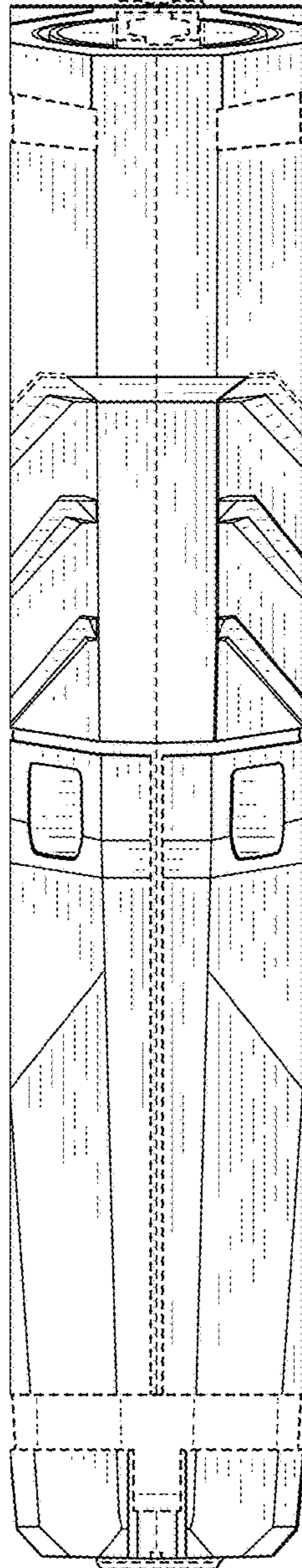


FIG. 8