



US00D848564S

(12) **United States Design Patent** (10) **Patent No.:** **US D848,564 S**  
**Fabbris et al.** (45) **Date of Patent:** **\*\* May 14, 2019**

(54) **BAND FOR GYMNASTIC EXERCISES**  
(71) Applicant: **SATOFIT S.R.L.**, Turin (IT)  
(72) Inventors: **Michaela Fabbris**, Turin (IT); **Vito Cucco**, Turin (IT)  
(73) Assignee: **SATOFIT S.R.L.**, Turin (IT)  
(\*\*) Term: **15 Years**  
(21) Appl. No.: **35/504,332**  
(22) Filed: **Sep. 8, 2017**  
(80) **Hague Agreement Data**  
Int. Filing Date: **Sep. 8, 2017**  
Int. Reg. No.: **DM/099180**  
Int. Reg. Date: **Sep. 8, 2017**  
Int. Reg. Pub. Date: **Jan. 19, 2018**  
(51) **LOC (11) Cl.** ..... **21-02**  
(52) **U.S. Cl.**  
USPC ..... **D21/797**  
(58) **Field of Classification Search**  
USPC ..... D21/662, 692, 694, 797; D2/624, 627, D2/635, 637, 638  
CPC ..... A63B 21/00; A63B 21/02; A63B 21/05; A63B 21/055; A63B 21/0552; A63B 7/00; A63B 7/02; A63B 7/04; A63B 7/045; A63B 7/08; A63B 7/085  
See application file for complete search history.

(56) **References Cited**  
U.S. PATENT DOCUMENTS  
69,956 A \* 10/1867 Bacon ..... A63B 7/02 482/24  
1,885,473 A \* 11/1932 Louis ..... A63B 21/0004 482/129  
D281,005 S \* 10/1985 Larsen ..... A63B 21/08 D21/694

D616,951 S \* 6/2010 Imamura ..... A63B 23/0355 D21/692  
D664,611 S \* 7/2012 Pinskiy ..... D21/662  
D669,144 S \* 10/2012 Calvin ..... D21/662  
D670,345 S \* 11/2012 Guarrasi ..... D21/662  
D761,924 S \* 7/2016 Sato ..... D21/662  
D788,859 S \* 6/2017 Virtusio ..... D21/662  
D828,467 S \* 9/2018 Karvandi ..... D21/662  
2012/0035031 A1\* 2/2012 Silverman ..... A63B 7/00 482/139  
2012/0270706 A1\* 10/2012 Wu ..... A63B 7/02 482/91  
2012/0295776 A1\* 11/2012 Chen ..... A63B 21/0442 482/121  
2013/0190148 A1\* 7/2013 Allison ..... A63B 21/0442 482/129  
2014/0256514 A1\* 9/2014 Garner ..... A63B 69/187 482/91  
2014/0274602 A1\* 9/2014 Autogue ..... A63B 23/0355 482/121

(Continued)

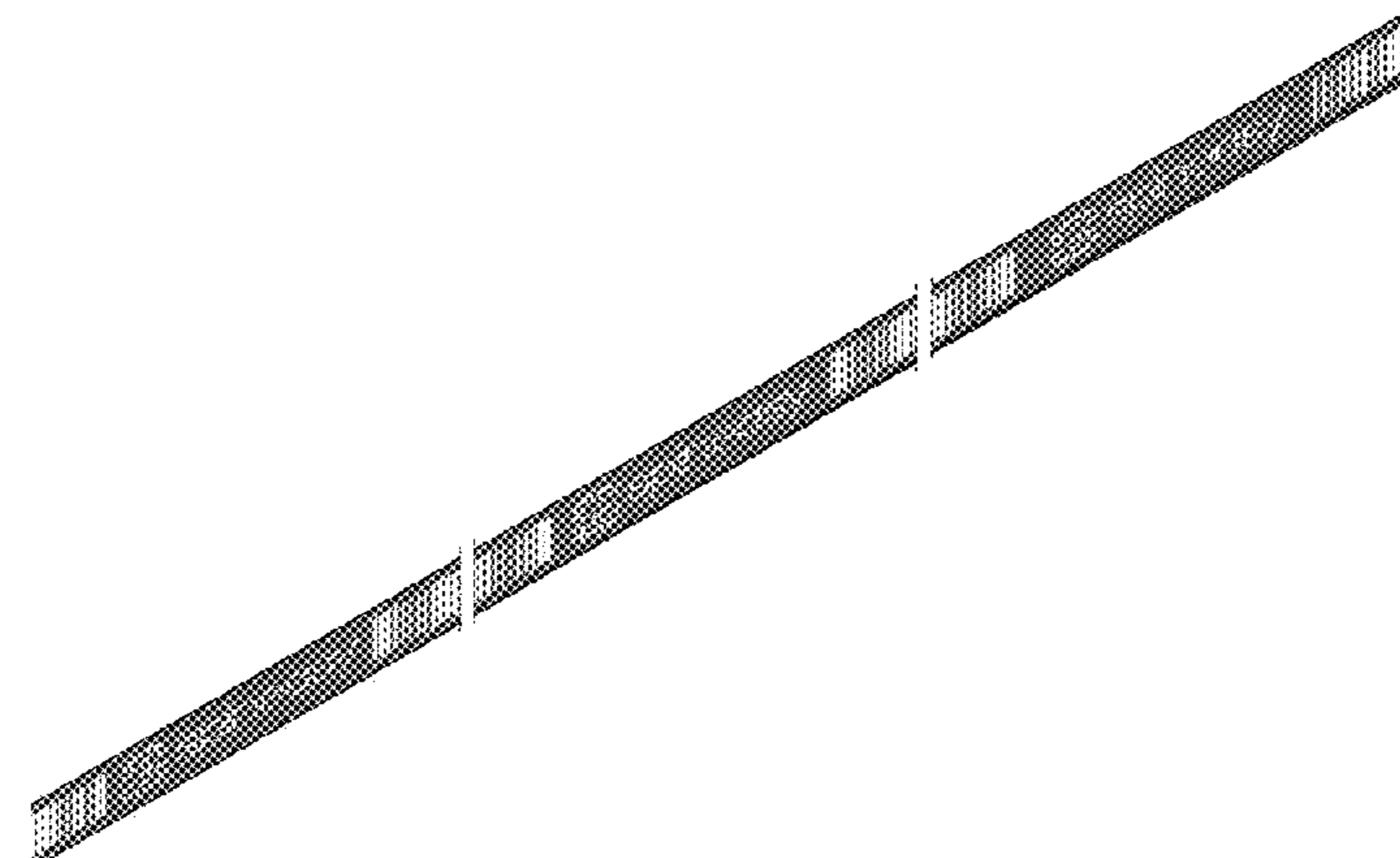
*Primary Examiner* — George D. Kirschbaum  
*Assistant Examiner* — Joseph J Kukella  
(74) *Attorney, Agent, or Firm* — Dorsey & Whitney LLP

(57) **CLAIM**  
The ornamental design for a band for gymnastic exercises, as shown and described.

**DESCRIPTION**

1. Band for gymnastic exercises  
1.1 : Perspective  
1.2 : Bottom  
1.3 : Right  
1.4 : Top  
1.5 : Left  
1.6 : Front  
1.7 : Back  
In the reproductions, the broken lines are used to indicate a symbolic break in length. The broken lines, and the appearance of any portion of the article between the break lines, form no part of the claimed design.

**1 Claim, 7 Drawing Sheets**



(56)

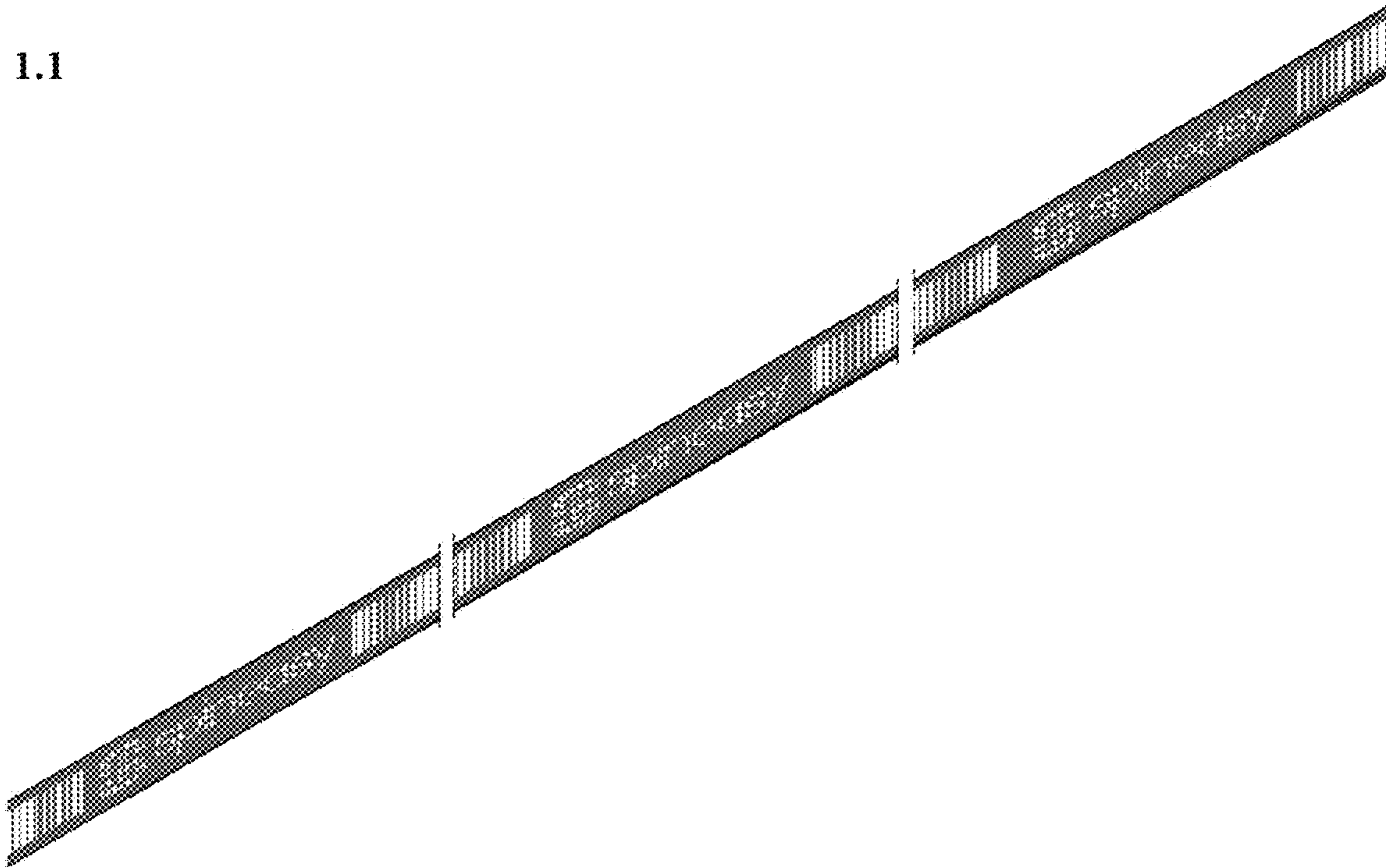
**References Cited**

U.S. PATENT DOCUMENTS

2014/0309088 A1\* 10/2014 Buikema ..... A63B 21/08  
482/93  
2016/0317864 A1\* 11/2016 Sato ..... A63B 23/00  
2017/0225024 A1\* 8/2017 Thrasher-Rudd .....  
A63B 21/0552

\* cited by examiner

1.1





1.3



1.4



1.5



**1.6**





**1.7**

