



US00D848563S

(12) **United States Design Patent**
Cao et al.

(10) **Patent No.:** **US D848,563 S**

(45) **Date of Patent:** **** May 14, 2019**

- (54) **THREE WHEELED ELECTRIC SCOOTER**
- (71) Applicants: **Zhifeng Cao**, Guangdong (CN); **Keshi Wang**, Guangdong (CN)
- (72) Inventors: **Zhifeng Cao**, Guangdong (CN); **Keshi Wang**, Guangdong (CN)
- (73) Assignees: **Shenzhen Tomoloo Technology Industrial Co., Ltd**, Shenzhen, Guangdong (CN); **Shenzhen Knight Electronics Co., Ltd**, Shenzhen, Guangdong (CN)

D558,290 S *	12/2007	Findling	D21/765
D608,851 S *	1/2010	Hillman	D21/765
D629,859 S *	12/2010	Buksa	D21/765
D633,584 S *	3/2011	Hong	A63C 17/12
				D21/765
7,976,034 B1 *	7/2011	Hong	A63C 17/01
				280/87.042
8,317,206 B1 *	11/2012	Novitzky	A63C 17/008
				280/87.042
8,523,205 B2 *	9/2013	Hsu	A63C 17/014
				280/87.041
D692,079 S *	10/2013	Mackay	D21/765
D692,080 S *	10/2013	Hamborg	D21/765
D698,881 S *	2/2014	Hamborg	D21/765
D703,780 S *	4/2014	Fox	D21/765
D705,371 S *	5/2014	Slater	D21/765
D705,372 S *	5/2014	Harris	D21/765
8,746,715 B2 *	6/2014	Woncik	A63C 17/0006
				280/87.042

(**) Term: **15 Years**

(21) Appl. No.: **29/626,830**

(22) Filed: **Nov. 20, 2017**

(51) **LOC (11) Cl.** **21-02**

(52) **U.S. Cl.**
USPC **D21/765**

(58) **Field of Classification Search**
USPC D21/419, 421, 423, 426, 662, 760, 765,
D21/766, 769, 771, 776, 803
CPC A63C 17/01; A63C 17/011; A63C 17/012;
A63C 17/014; A63C 17/015; A63C
17/02; A63C 17/26; A63C 5/003; B60Q
1/326; B62K 3/001

See application file for complete search history.

(56) **References Cited**

U.S. PATENT DOCUMENTS

D413,954 S *	9/1999	Gerlach	D21/765
D422,661 S *	4/2000	Edwards	D21/765
D422,662 S *	4/2000	Edwards	D21/765
D505,470 S *	5/2005	Hong	A63C 17/12
				D21/765
D513,425 S *	1/2006	Kohl	D21/765
7,044,486 B2 *	5/2006	Wright	A63C 17/0046
				280/87.041
D556,283 S *	11/2007	Hamborg	D21/765

(Continued)

Primary Examiner — Robin V Webster

Assistant Examiner — Keith J Wilson

(57) **CLAIM**

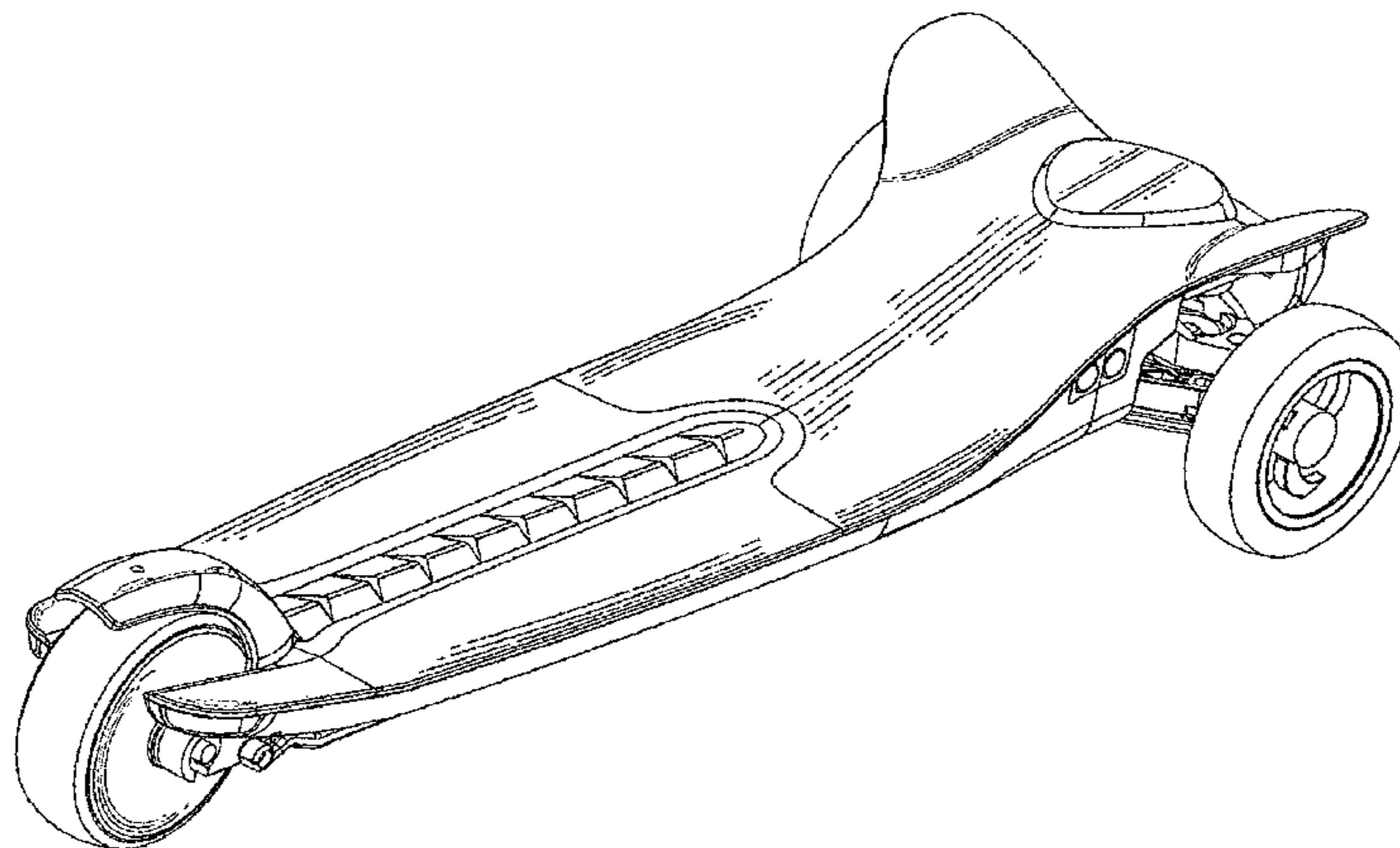
The ornamental design for a three wheeled electric scooter, as shown and described.

DESCRIPTION

FIG. 1 is a perspective view of a three wheeled electric scooter showing my new design;
FIG. 2 is a front elevational view thereof;
FIG. 3 is a rear elevational view thereof;
FIG. 4 is a left side elevational view thereof;
FIG. 5 is a right side elevational view thereof;
FIG. 6 is a top plan view thereof; and,
FIG. 7 is a bottom plan view thereof.

The broken lines in the drawings are for the purpose of illustrating portions of the three wheeled electric scooter that form no part of the claimed design.

1 Claim, 7 Drawing Sheets



(56)

References Cited

U.S. PATENT DOCUMENTS

D709,154	S	*	7/2014	Brotherson	D21/765
D720,419	S	*	12/2014	Norman	D21/765
D720,823	S	*	1/2015	Norman	D21/765
D720,824	S	*	1/2015	Norman	D21/765
D720,825	S	*	1/2015	Norman	D21/765
D722,664	S	*	2/2015	Norman	D21/765
D722,665	S	*	2/2015	Norman	D21/765
D723,123	S	*	2/2015	Norman	D21/765
D723,642	S	*	3/2015	Fissell	D21/765
D724,166	S	*	3/2015	Hamborg	D21/765
D725,733	S	*	3/2015	Norman	D21/765
D728,048	S	*	4/2015	Stover	D21/765
D733,241	S	*	6/2015	Fissell	D21/765
D745,617	S	*	12/2015	Jensen	D21/765
D751,160	S	*	3/2016	Tian	D21/765
D761,927	S	*	7/2016	Belcher	D21/765
9,403,081	B2	*	8/2016	Rawlins	A63C 17/0093
D770,585	S	*	11/2016	Desberg	D21/765
9,504,901	B1	*	11/2016	Lu	A63C 17/017
D784,470	S	*	4/2017	Kesselman	D21/765
9,675,868	B2	*	6/2017	Willis	A63C 17/017
D797,227	S	*	9/2017	Treadway	D21/765
D798,407	S	*	9/2017	Pang	D21/765
D815,226	S	*	4/2018	Treadway	D21/765
D817,427	S	*	5/2018	Pang	D21/765
D818,068	S	*	5/2018	Southard	D21/760
D818,069	S	*	5/2018	Torres	D21/765
D818,070	S	*	5/2018	Pang	D21/765
D820,157	S	*	6/2018	Chen	D12/1
D824,464	S	*	7/2018	Garner	D21/765
D825,014	S	*	8/2018	Giang	D21/765

* cited by examiner

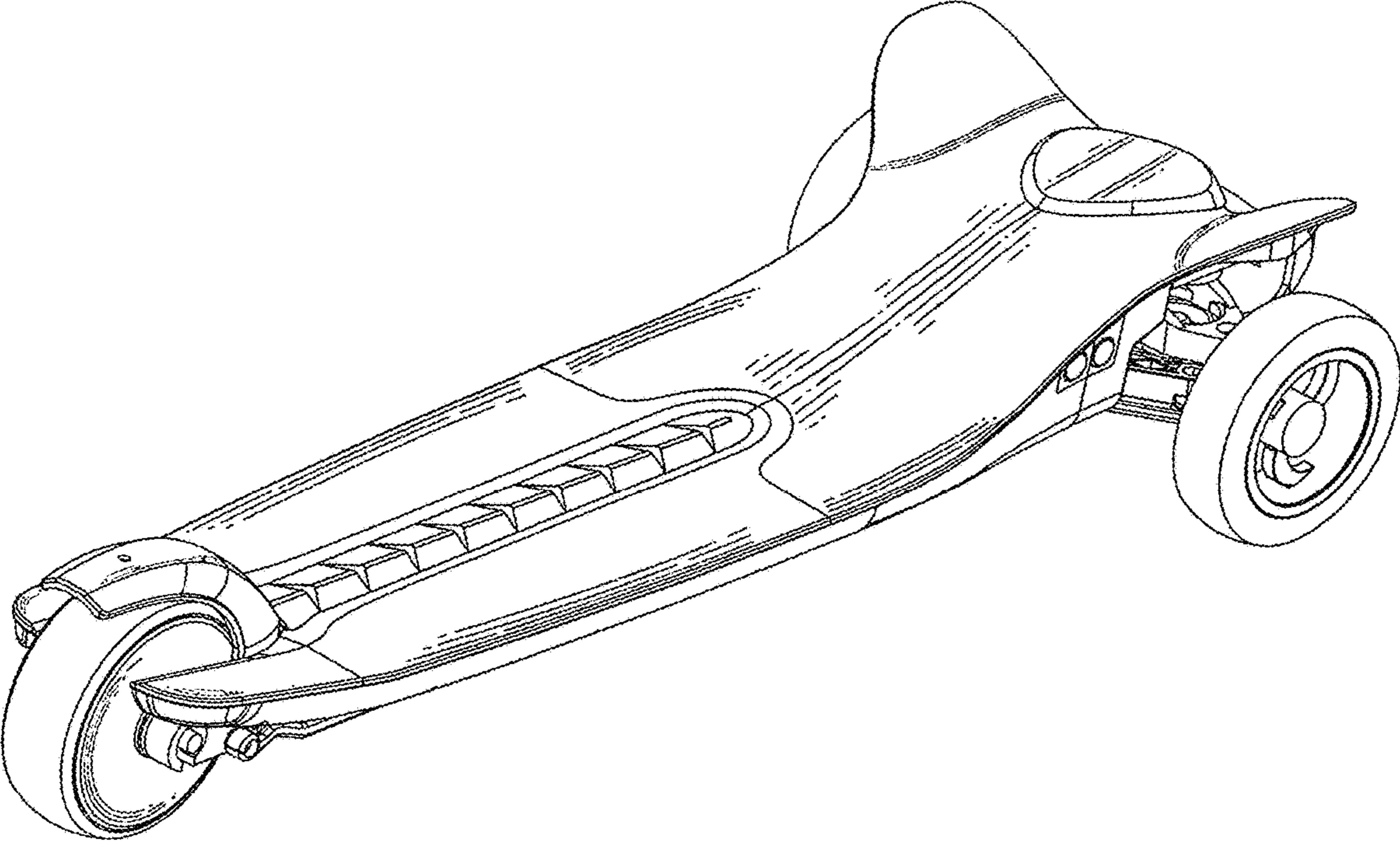


FIG. 1

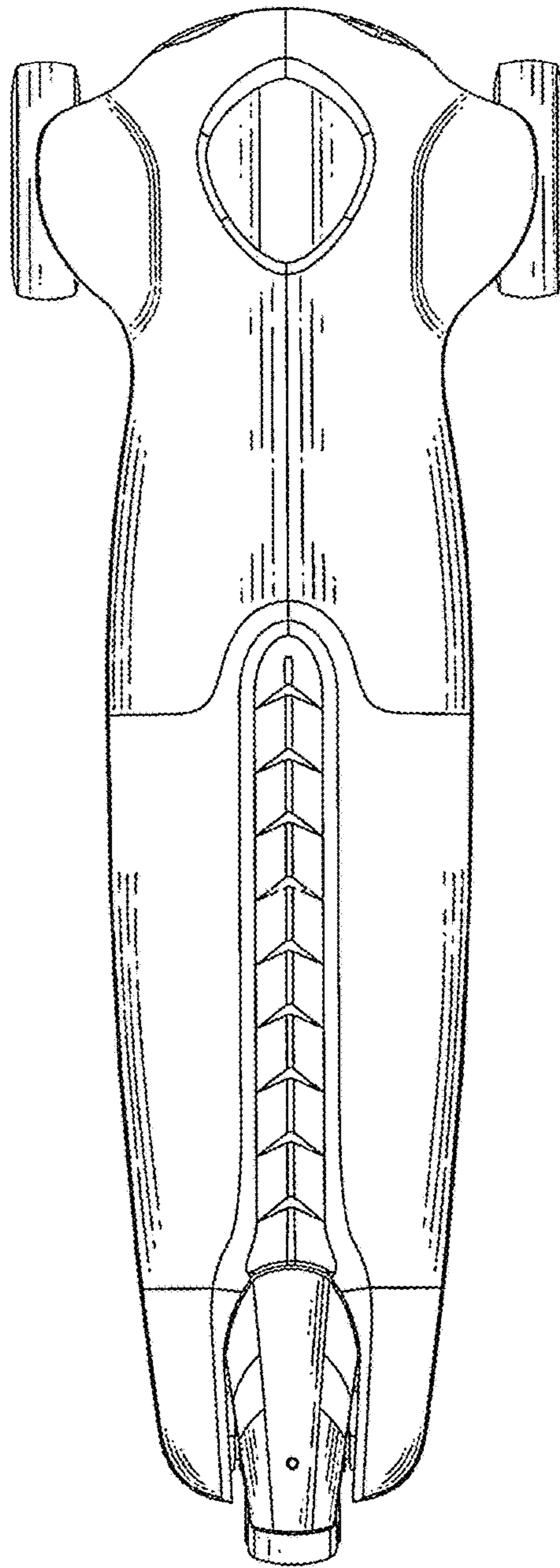


FIG.2

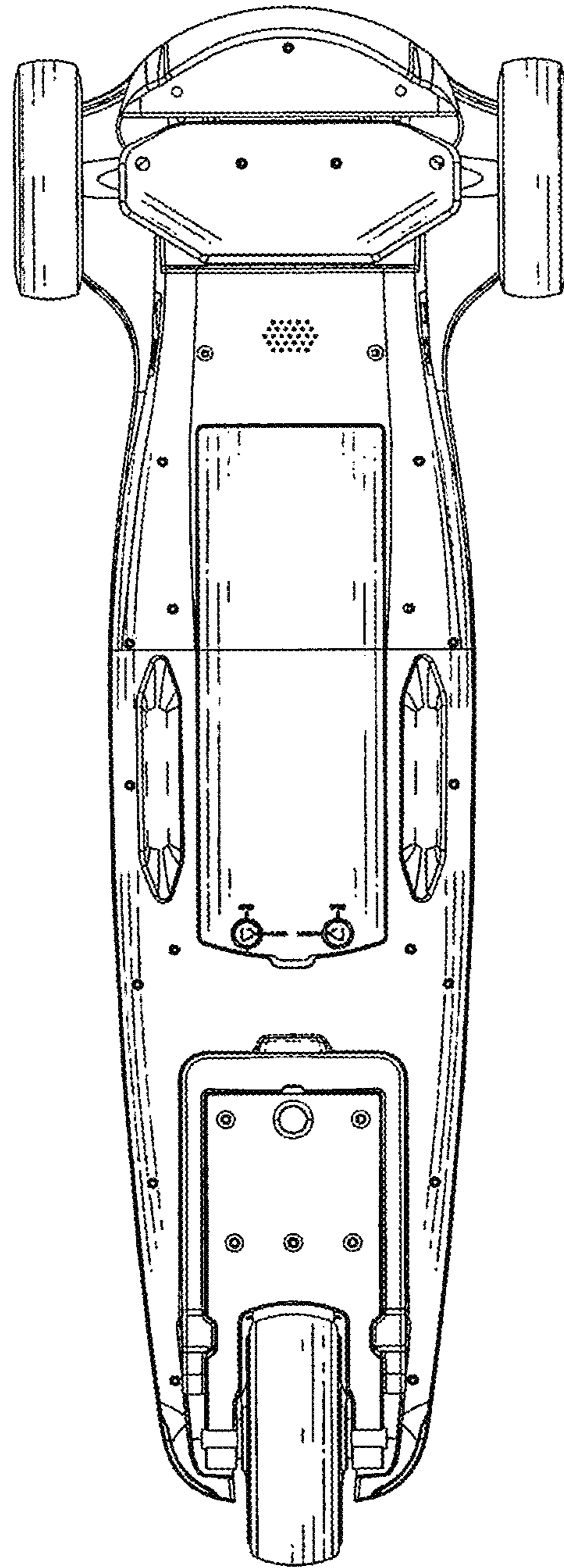


FIG.3

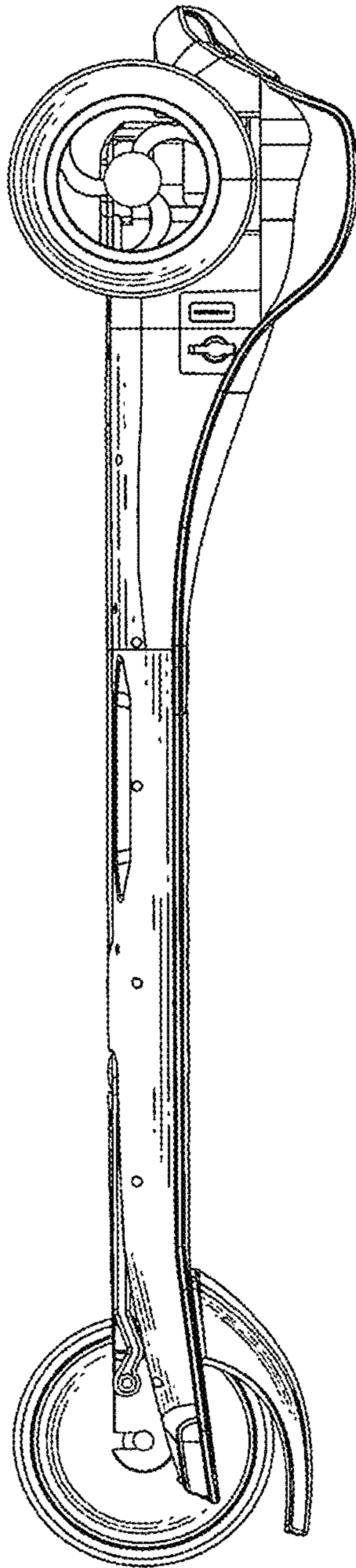


FIG.4

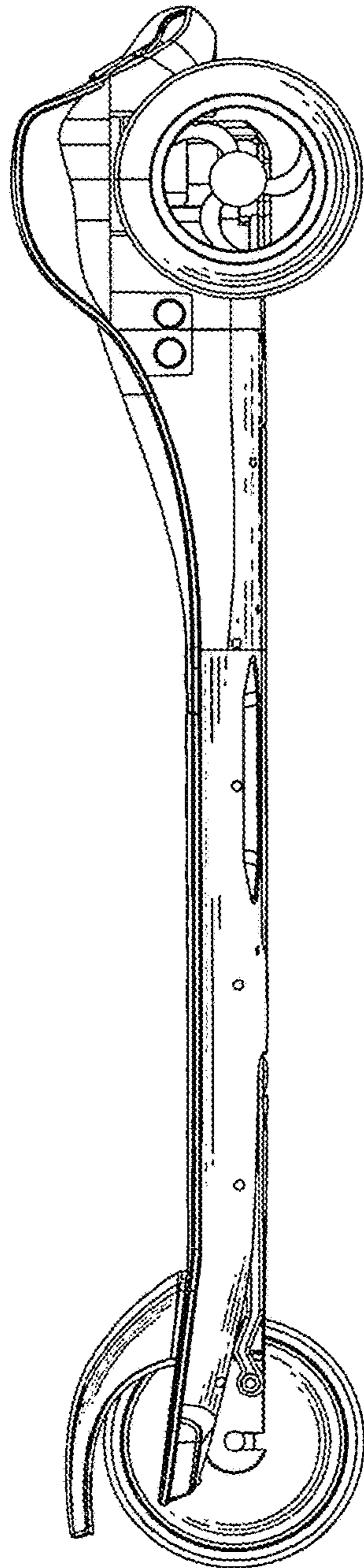


FIG.5

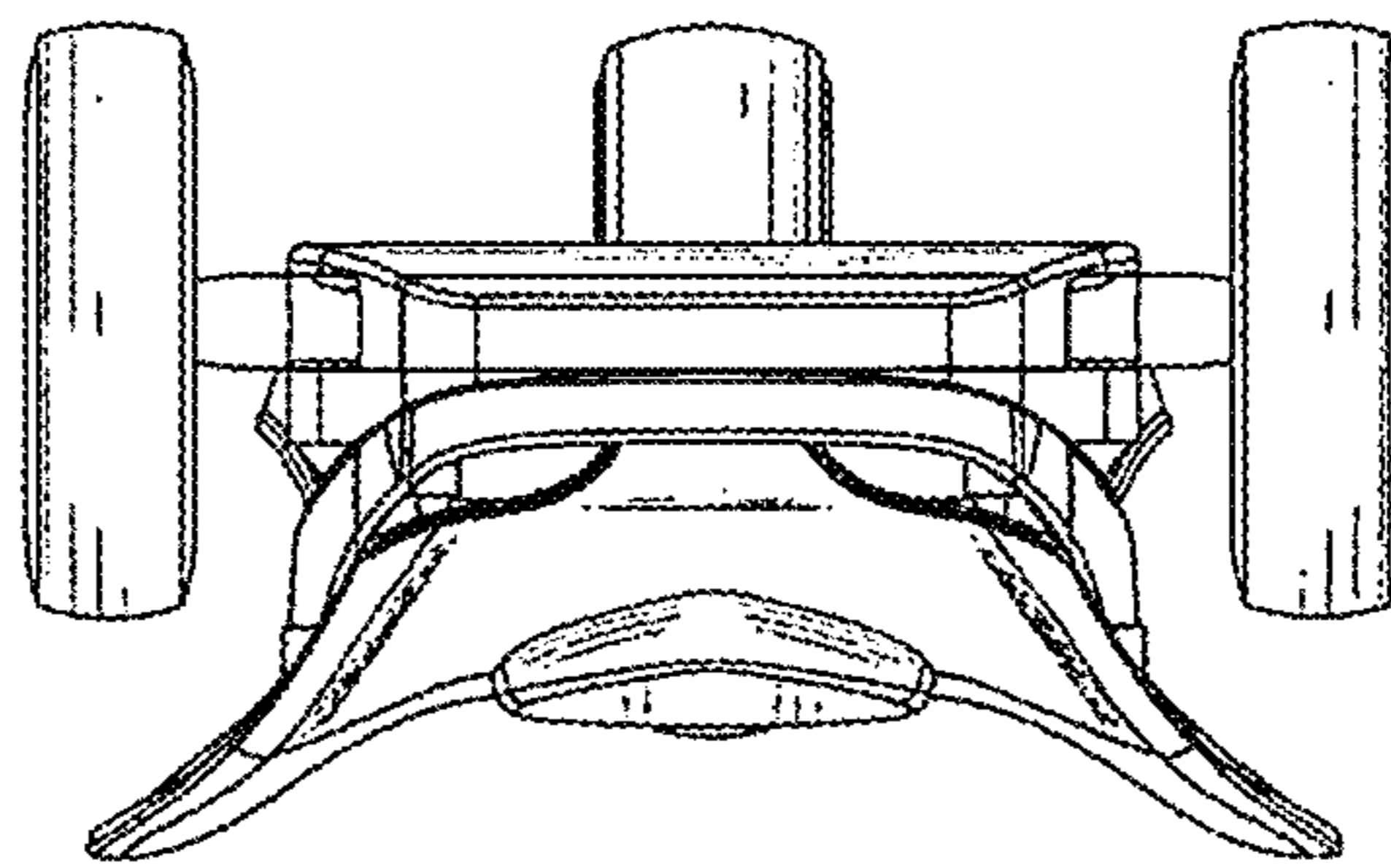


FIG.6

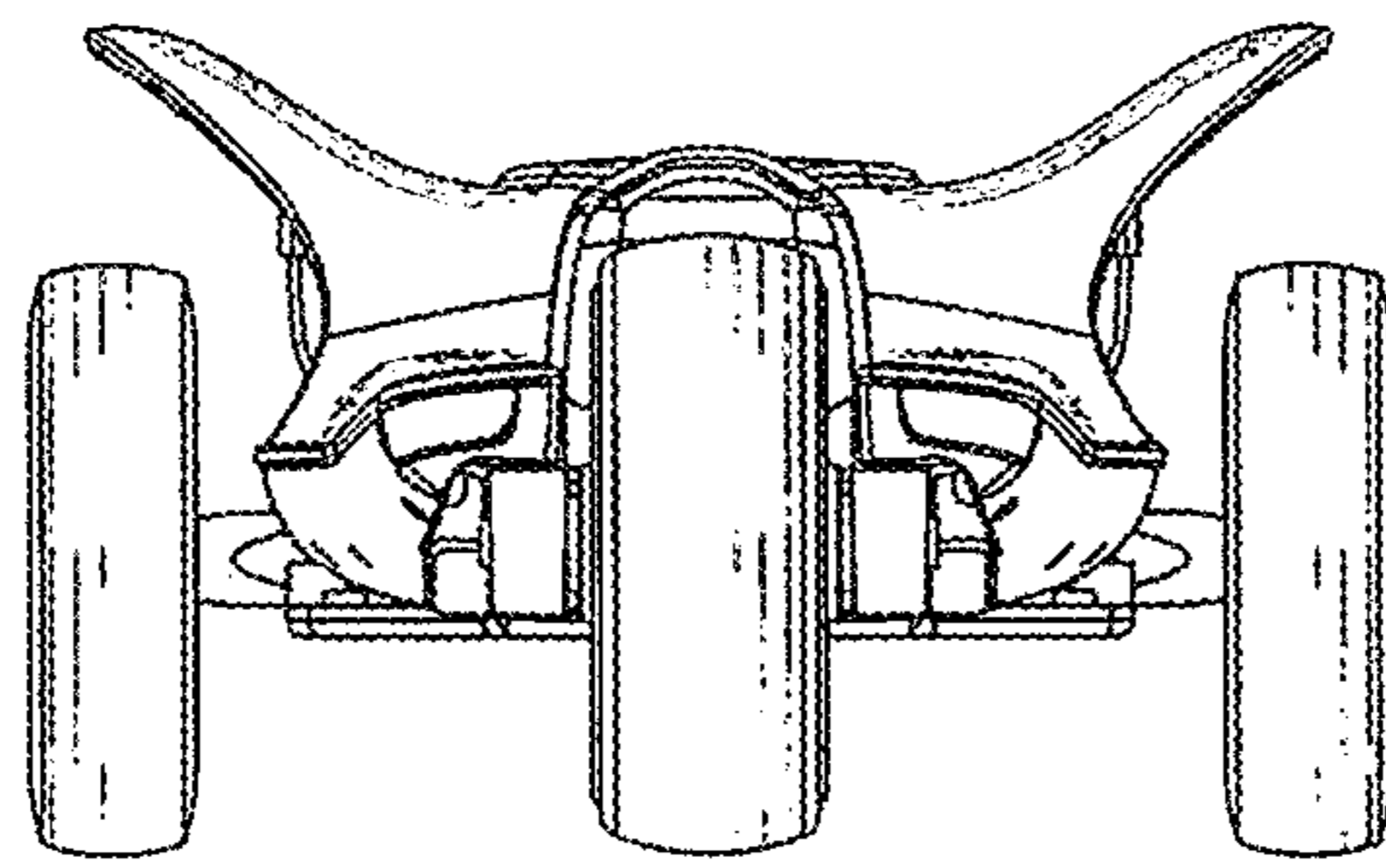


FIG. 7