



US00D848561S

(12) **United States Design Patent**
Reid et al.

(10) **Patent No.:** **US D848,561 S**

(45) **Date of Patent:** **** May 14, 2019**

(54) **GOLF TEE**

(71) Applicants: **Mary Catherine Reid**, Pewee Valley, KY (US); **Thomas Brutscher**, Georgetown, IN (US)

(72) Inventors: **Mary Catherine Reid**, Pewee Valley, KY (US); **Thomas Brutscher**, Georgetown, IN (US)

(**) Term: **15 Years**

(21) Appl. No.: **29/635,174**

(22) Filed: **Jan. 29, 2018**

(51) **LOC (11) Cl.** **21-02**

(52) **U.S. Cl.**
USPC **D21/718**

(58) **Field of Classification Search**
USPC D21/715-721, 789-796; 473/387-403
CPC A63B 57/10; A63B 57/12; A63B 57/13;
A63B 57/15; A63B 57/16; A63B 57/18;
A63B 57/19; A63B 57/20; A63B 57/203
See application file for complete search history.

(56) **References Cited**

U.S. PATENT DOCUMENTS

1,623,119	A *	4/1927	Kearney	A63B 57/13 473/391
1,641,155	A *	9/1927	Clausing	A63B 57/10 473/402
4,418,909	A *	12/1983	Messana	A63B 57/10 473/396
D304,607	S *	11/1989	Bagg	D21/718
D306,194	S *	2/1990	Sadowski	D21/718

D338,510	S *	8/1993	Fellows	D21/718
D348,296	S *	6/1994	Salonica	D21/718
D392,704	S *	3/1998	Bowman	D21/718
D413,640	S *	9/1999	Fearer, III	D21/718
D415,806	S *	10/1999	Wang	D21/718
D432,605	S *	10/2000	Dennis	D21/718
6,341,752	B1 *	1/2002	Green	A63B 57/10 248/156
D621,456	S *	8/2010	Cathro	D21/718

FOREIGN PATENT DOCUMENTS

CA	2263700	A1 *	10/1999	A63B 57/10
DE	9414698	U1 *	1/1996	A63B 57/10

* cited by examiner

Primary Examiner — Catherine A Tuttle

(74) *Attorney, Agent, or Firm* — Stites & Harbison, PLLC; Terry L. Wright

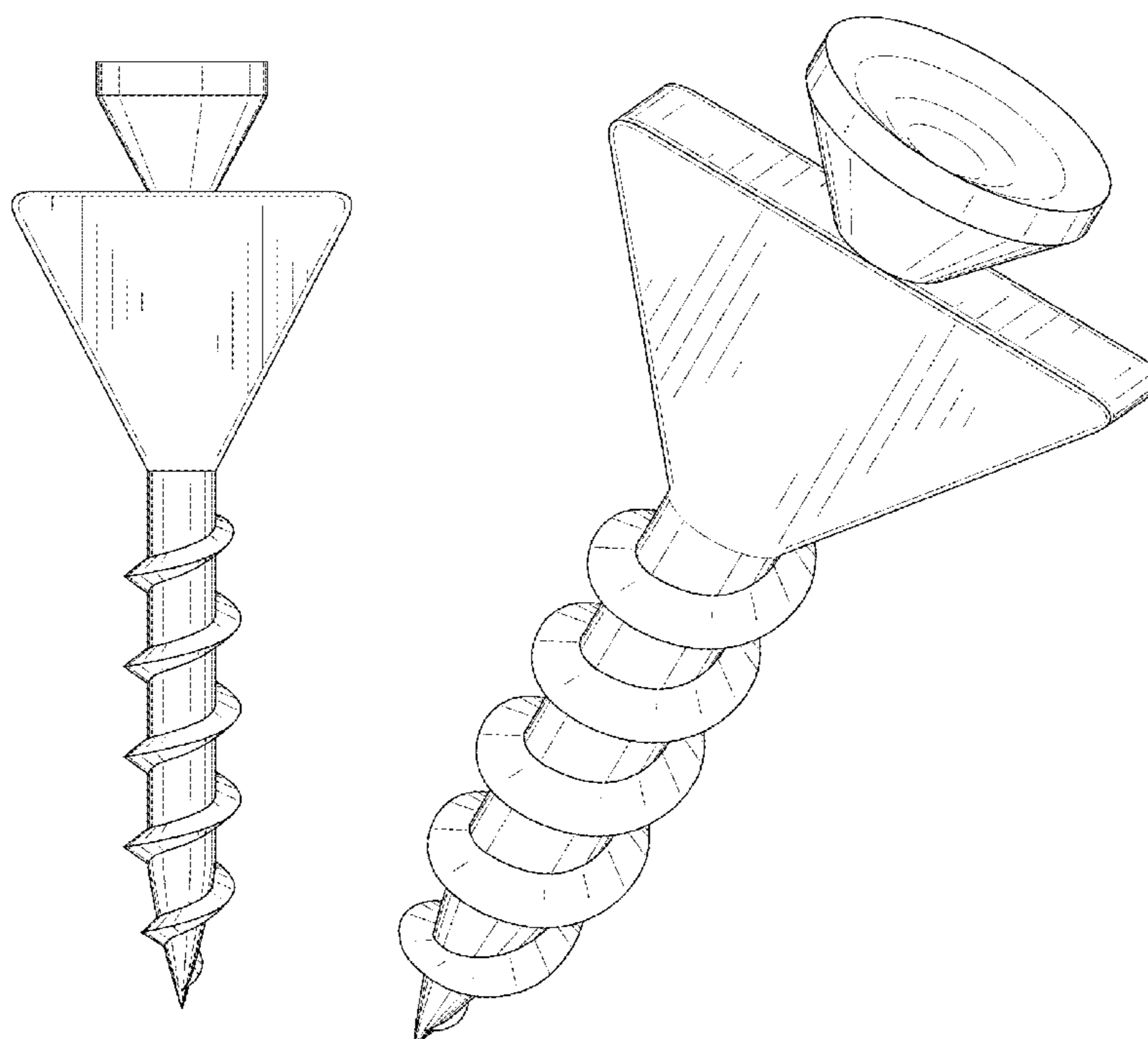
(57) **CLAIM**

The ornamental design for a golf tee, as shown and described.

DESCRIPTION

FIG. 1 is a front elevational view of the golf tee of the present invention;
FIG. 2 is a rear elevational view of the golf tee of FIG. 1;
FIG. 3 is a left side elevational view of the golf tee of FIG. 1;
FIG. 4 is a right side elevational view of the golf tee of FIG. 1;
FIG. 5 is a top view of the golf tee of FIG. 1;
FIG. 6 is a bottom view of the golf tee of FIG. 1; and,
FIG. 7 is a perspective view of the golf tee of FIG. 1.

1 Claim, 4 Drawing Sheets



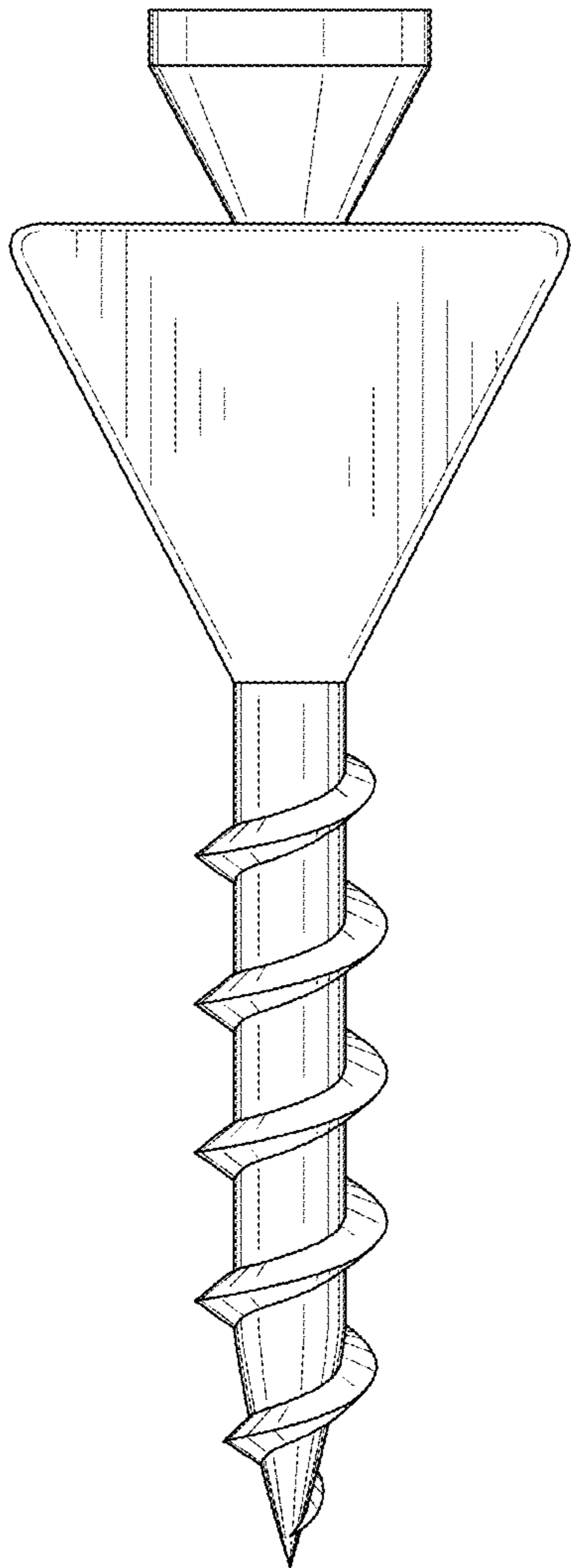


FIG. 1

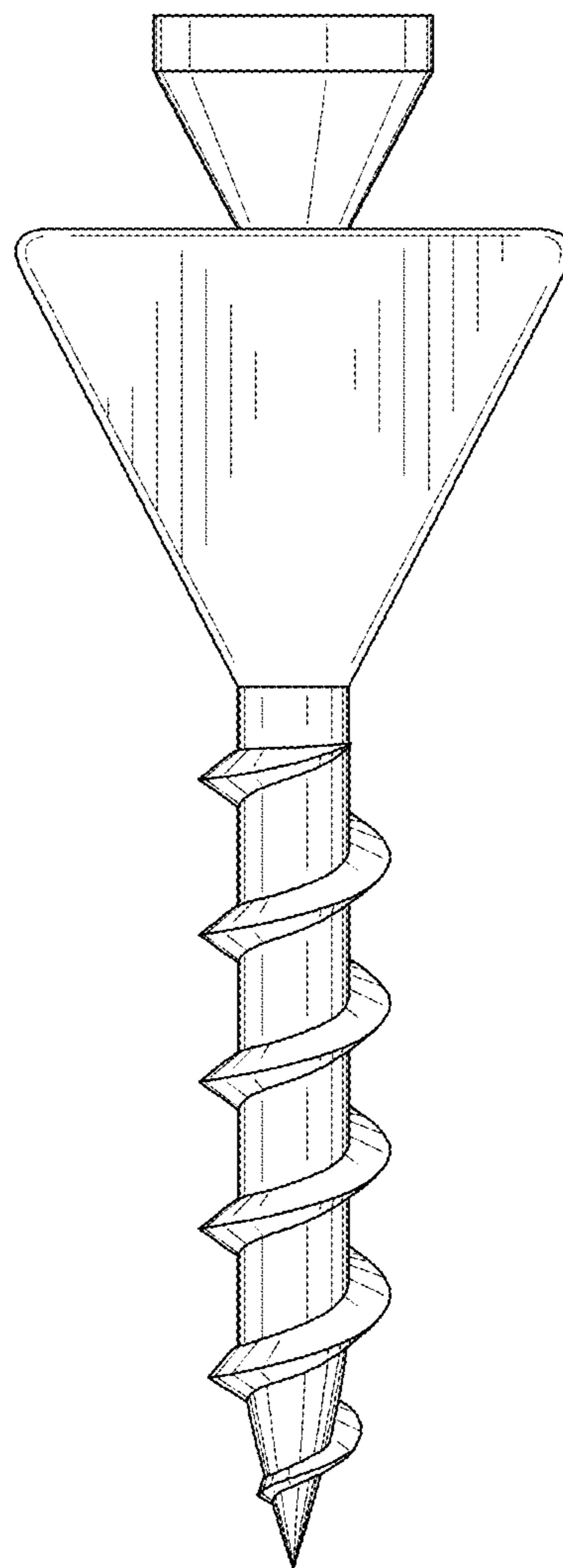


FIG. 2

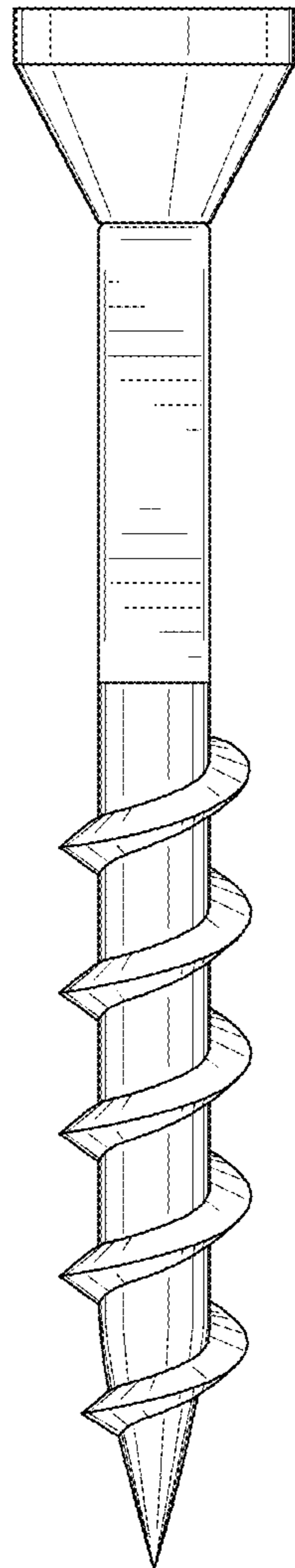


FIG. 3

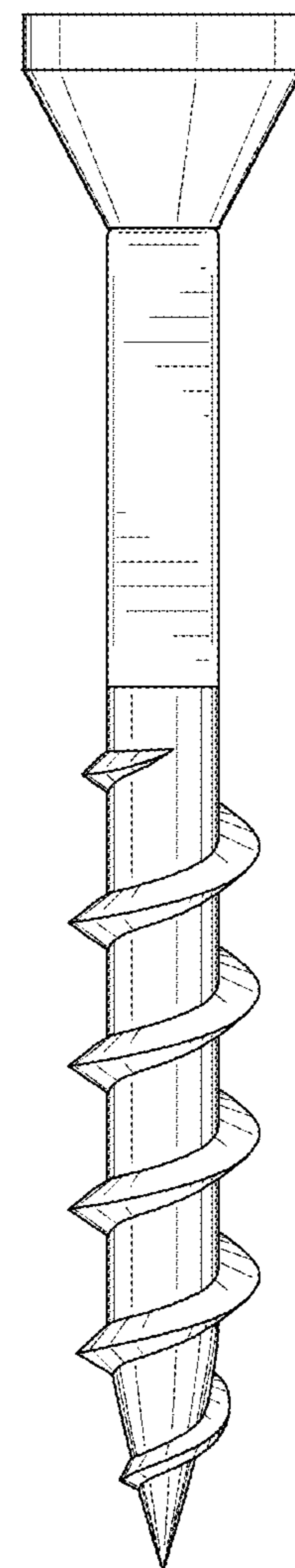


FIG. 4

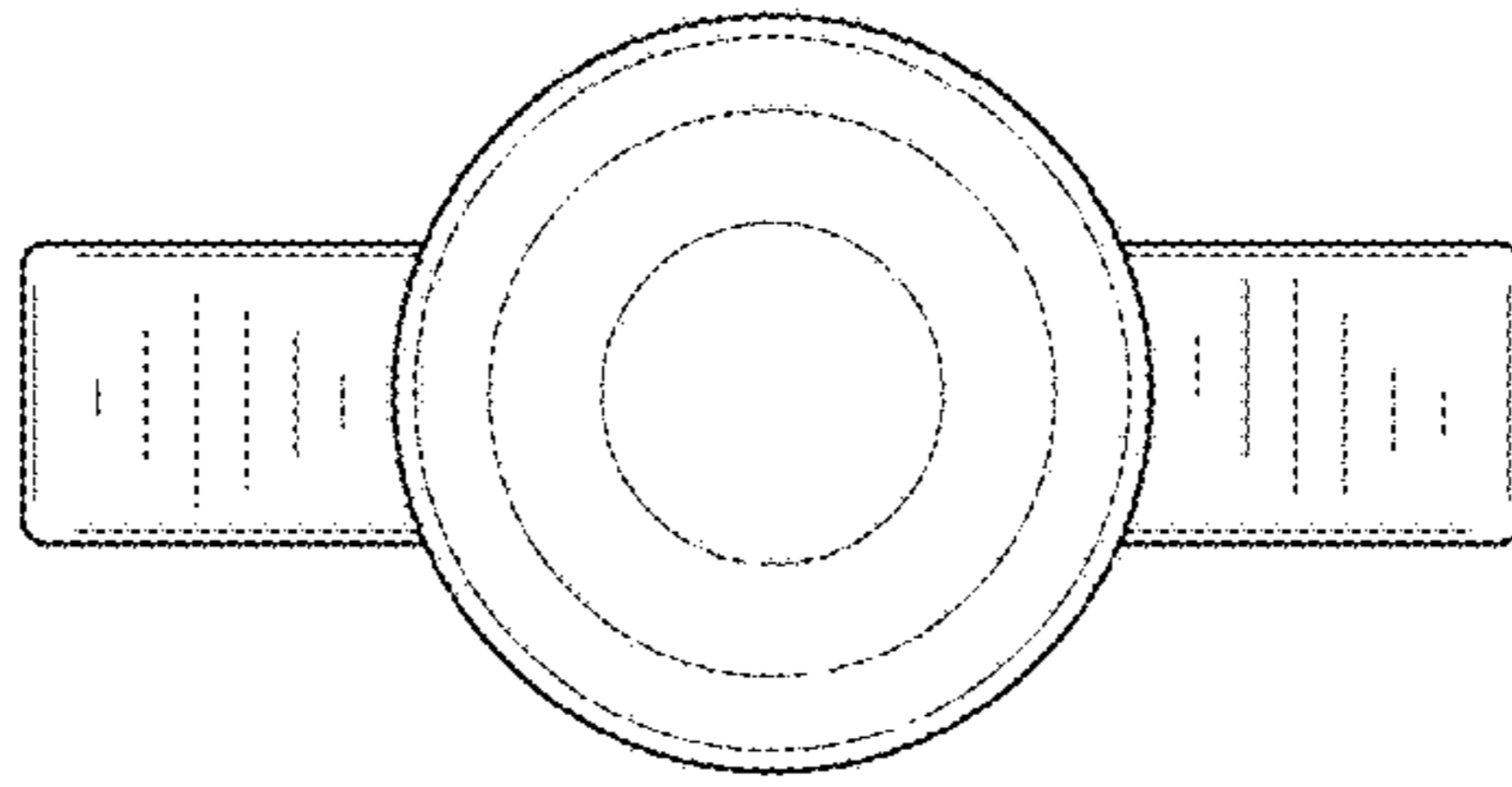


FIG. 5

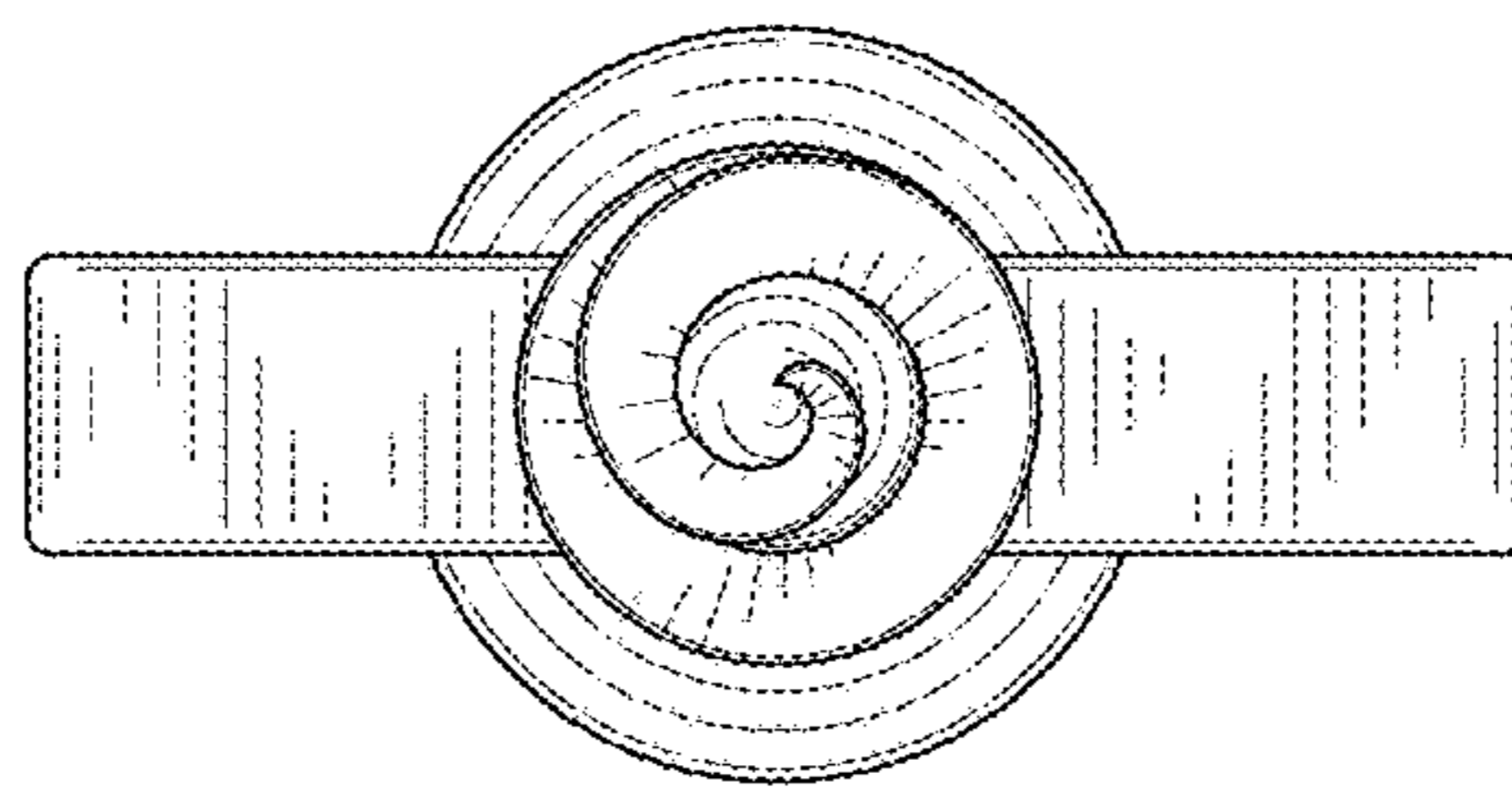


FIG. 6

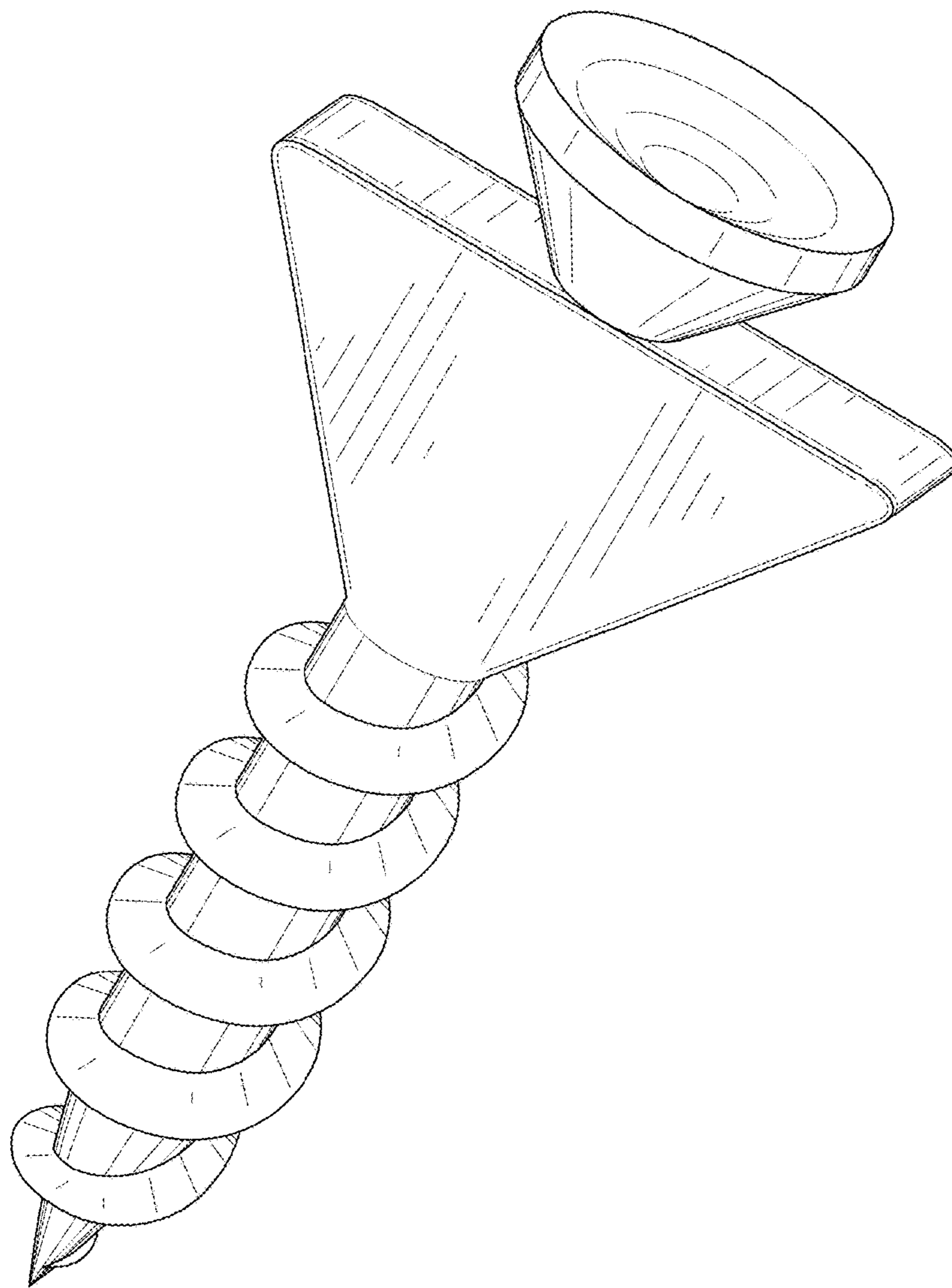


FIG. 7