



US00D848557S

(12) **United States Design Patent** (10) **Patent No.:** **US D848,557 S**  
**Lim** (45) **Date of Patent:** **\*\* May 14, 2019**

(54) **SET OF JUMP ROPE HANDLES**  
(71) Applicant: **Heung-ki Lim**, Uijeongbu-si (KR)  
(72) Inventor: **Heung-ki Lim**, Uijeongbu-si (KR)  
(\*\*) Term: **15 Years**

8,684,892 B1 \* 4/2014 Ihli ..... A63B 5/20  
482/81  
D704,779 S \* 5/2014 Boatwright ..... D21/686  
8,821,355 B2 \* 9/2014 Daniels ..... A63B 5/20  
482/82

(Continued)

(21) Appl. No.: **29/622,683**  
(22) Filed: **Oct. 18, 2017**

(30) **Foreign Application Priority Data**

Jun. 8, 2017 (KR) ..... 30-2017-0025902  
Sep. 7, 2017 (KR) ..... 30-2017-0041928

(51) **LOC (11) Cl.** ..... **21-02**  
(52) **U.S. Cl.**  
USPC ..... **D21/694**

(58) **Field of Classification Search**  
USPC ..... 482/44, 45, 46, 49, 81, 82, 121;  
D12/114, 178; D8/107, 303; D24/211;  
D21/662, 672, 682, 684, 694; D7/393,  
D7/394  
CPC ..... A63B 21/018; A63B 21/0552; A63B 5/20;  
B62K 21/26  
See application file for complete search history.

(56) **References Cited**

**U.S. PATENT DOCUMENTS**

D272,974 S \* 3/1984 Ryser ..... D7/394  
D319,770 S \* 9/1991 Borromeo ..... 74/557  
D393,514 S \* 4/1998 Hadley ..... D8/107  
D418,557 S \* 1/2000 Cousins ..... D21/672  
6,263,759 B1 \* 7/2001 Hollingsworth ..... B62K 21/26  
74/551.9  
D527,776 S \* 9/2006 Willardson ..... D21/694  
D529,360 S \* 10/2006 Wimmer ..... D8/107  
D547,159 S \* 7/2007 Porth ..... D8/303  
D556,533 S \* 12/2007 Gobbi ..... D8/107  
D592,450 S \* 5/2009 Rae ..... D7/394  
D658,436 S \* 5/2012 Rae ..... D7/394  
D697,220 S \* 1/2014 Clementes ..... D24/211  
D699,543 S \* 2/2014 Haythornthwaite ..... D8/107

**OTHER PUBLICATIONS**

Amazon, "D.Rope Wearable Jump Rope . . . ", May 22, 2018.  
[https://www.amazon.com/D-Rope-Wearable-Rope%E2%94%83Patented-Rope%E2%94%8310ft-Adjustable/dp/B079MGNTDJ/ref=sr\\_1\\_49\\_sspa?ie=UTF8&qid=1535123539&sr=8-49-spons&keywords=jump+rope+handles&psc=1#customerReviews](https://www.amazon.com/D-Rope-Wearable-Rope%E2%94%83Patented-Rope%E2%94%8310ft-Adjustable/dp/B079MGNTDJ/ref=sr_1_49_sspa?ie=UTF8&qid=1535123539&sr=8-49-spons&keywords=jump+rope+handles&psc=1#customerReviews). Page 1.  
(Year: 2018).\*

*Primary Examiner* — Cynthia Ramirez  
*Assistant Examiner* — Michael A Maharajh  
(74) *Attorney, Agent, or Firm* — Maschoff Brennan

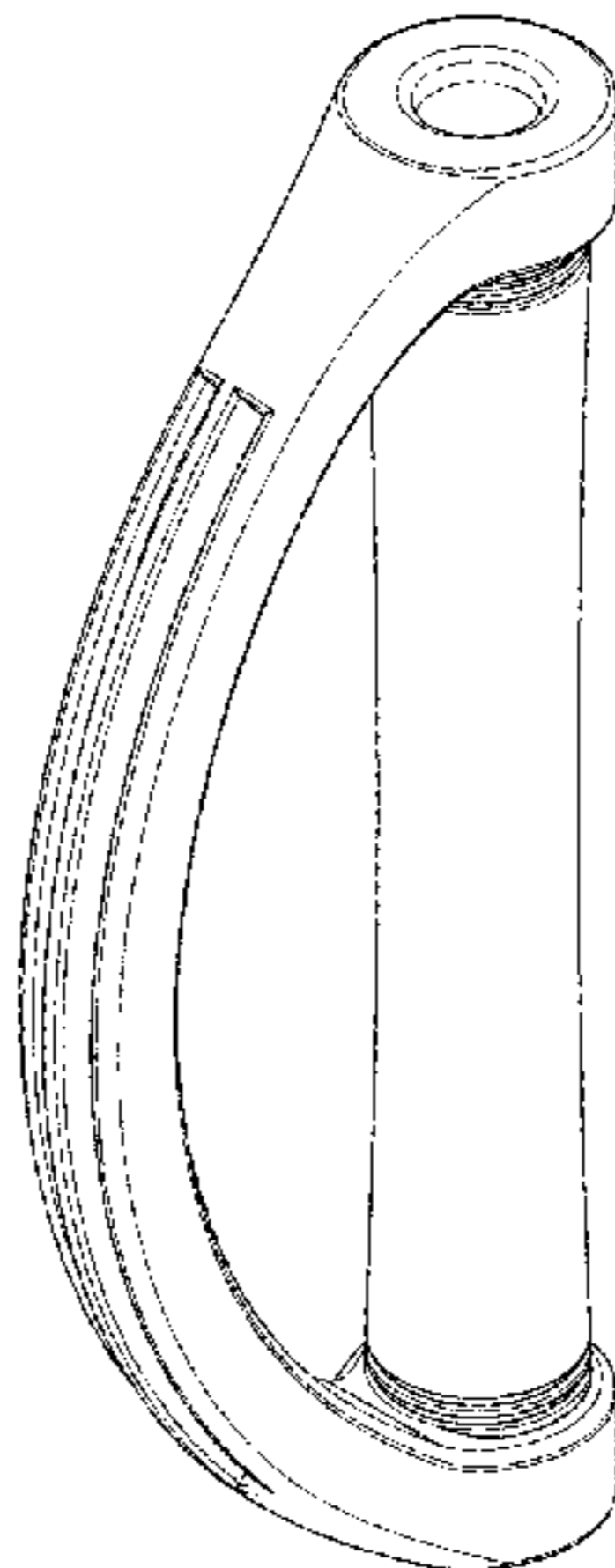
(57) **CLAIM**

The ornamental design for a set of jump rope handles, as shown and described.

**DESCRIPTION**

FIG. 1 is a perspective view of a set of jump rope handles showing my new design, showing only one of the handles for convenience of illustration;  
FIG. 2 is a front view thereof;  
FIG. 3 is a rear view thereof;  
FIG. 4 is a left view thereof;  
FIG. 5 is a right view thereof;  
FIG. 6 is a top view thereof;  
FIG. 7 is a bottom view thereof;  
FIG. 8 is a perspective view of a pair of jump rope handles thereof; and,  
FIG. 9 is another perspective view of a pair of jump rope handles thereof.  
The broken lines shown in FIGS. 8 and 9 are for the purpose of illustrating environmental structure, which form no part of the claimed design.

**1 Claim, 5 Drawing Sheets**



(56)

**References Cited**

U.S. PATENT DOCUMENTS

D768,790 S \* 10/2016 Croci ..... D21/684  
D823,405 S \* 7/2018 Roepke ..... D21/694

\* cited by examiner

FIG. 1

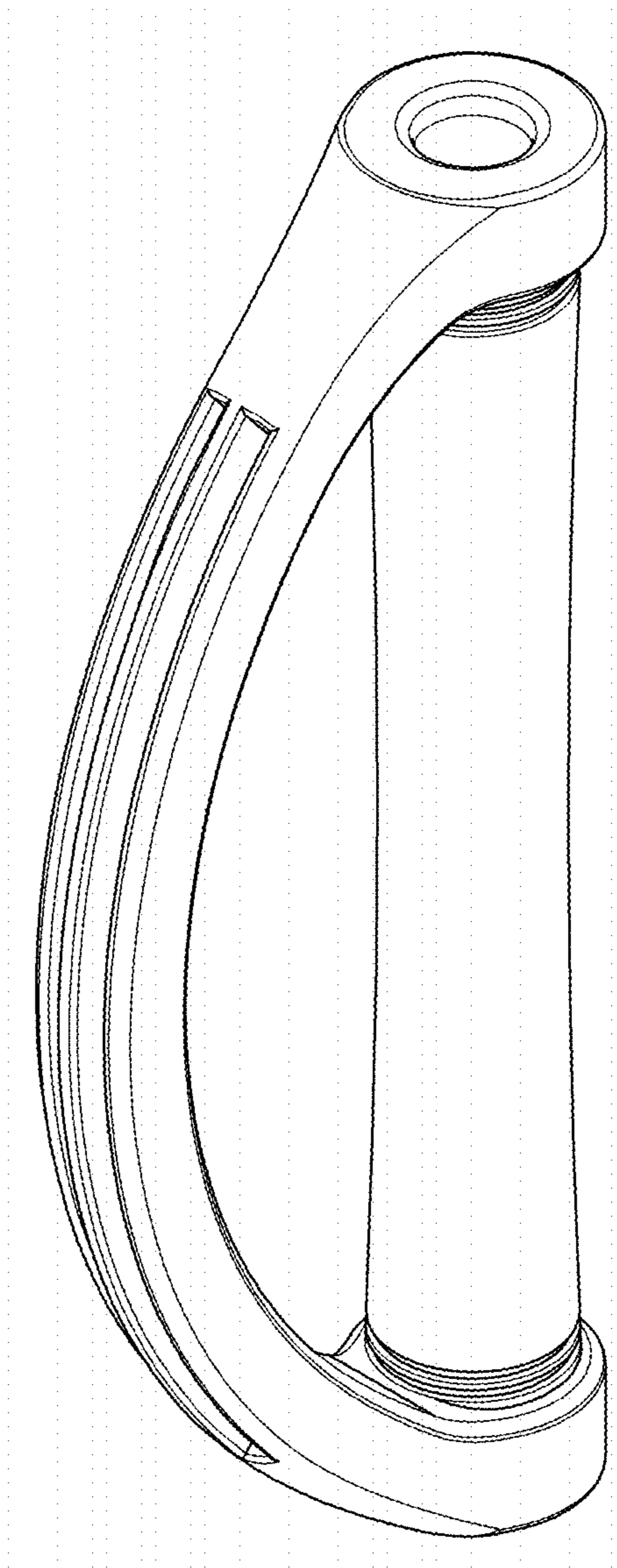


FIG. 2

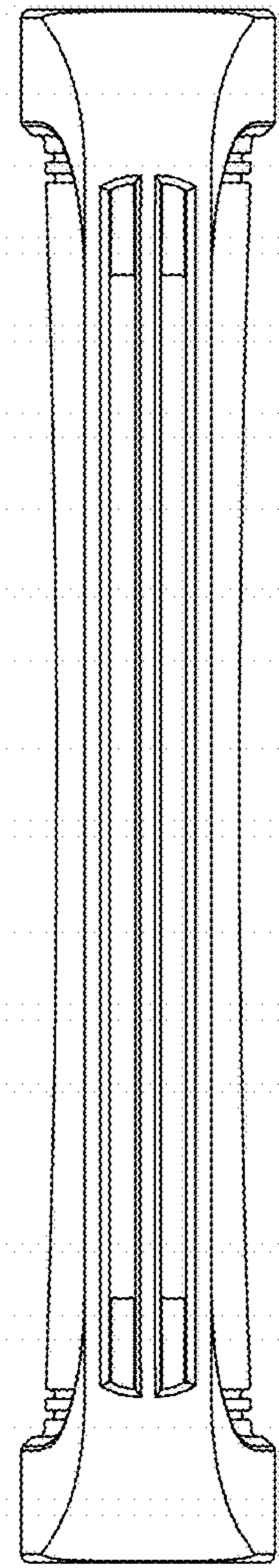


FIG. 3

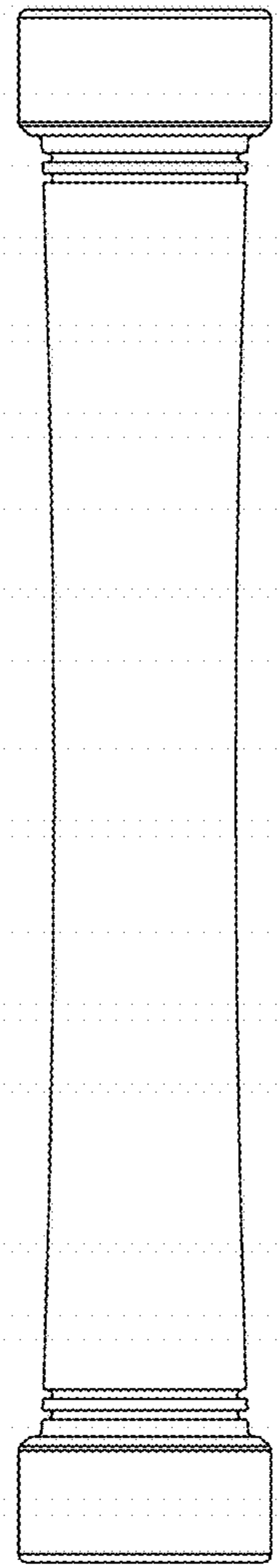


FIG. 4

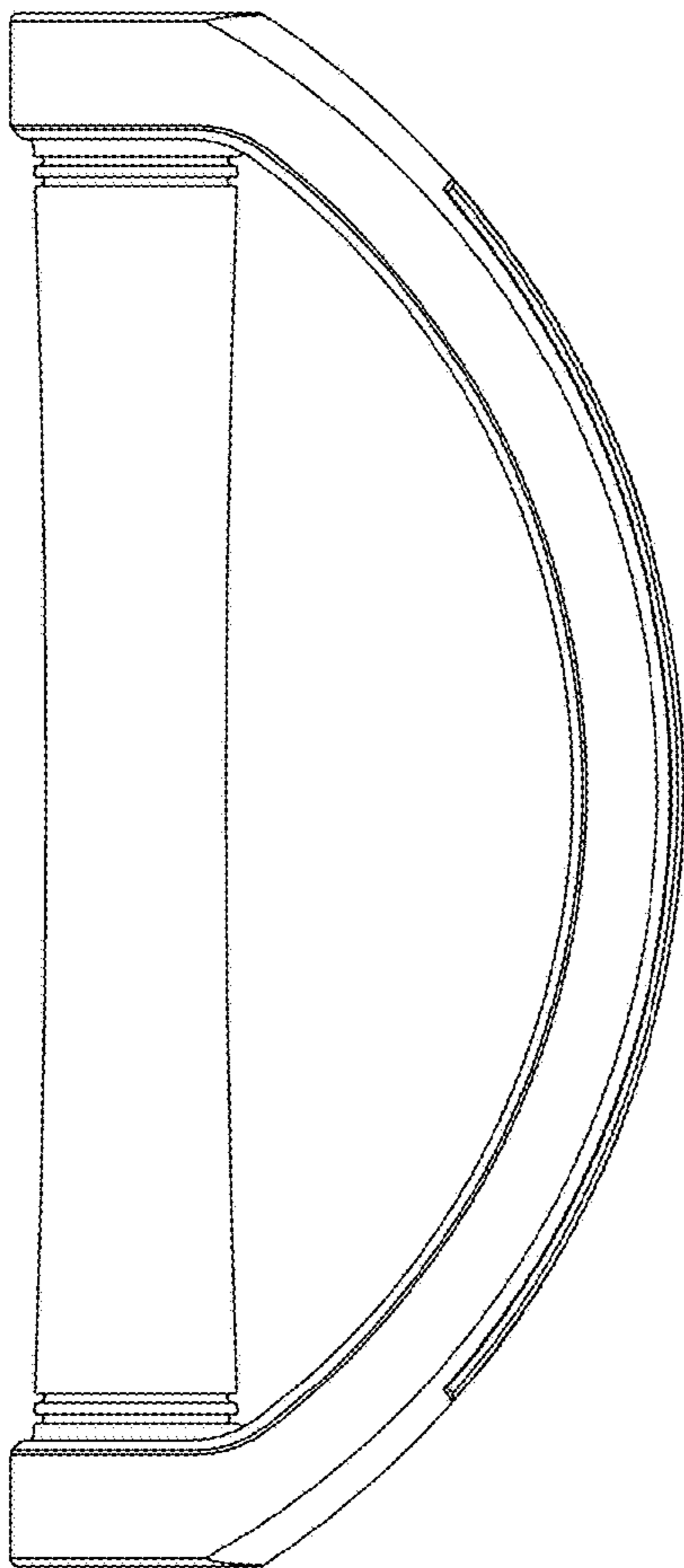


FIG. 5

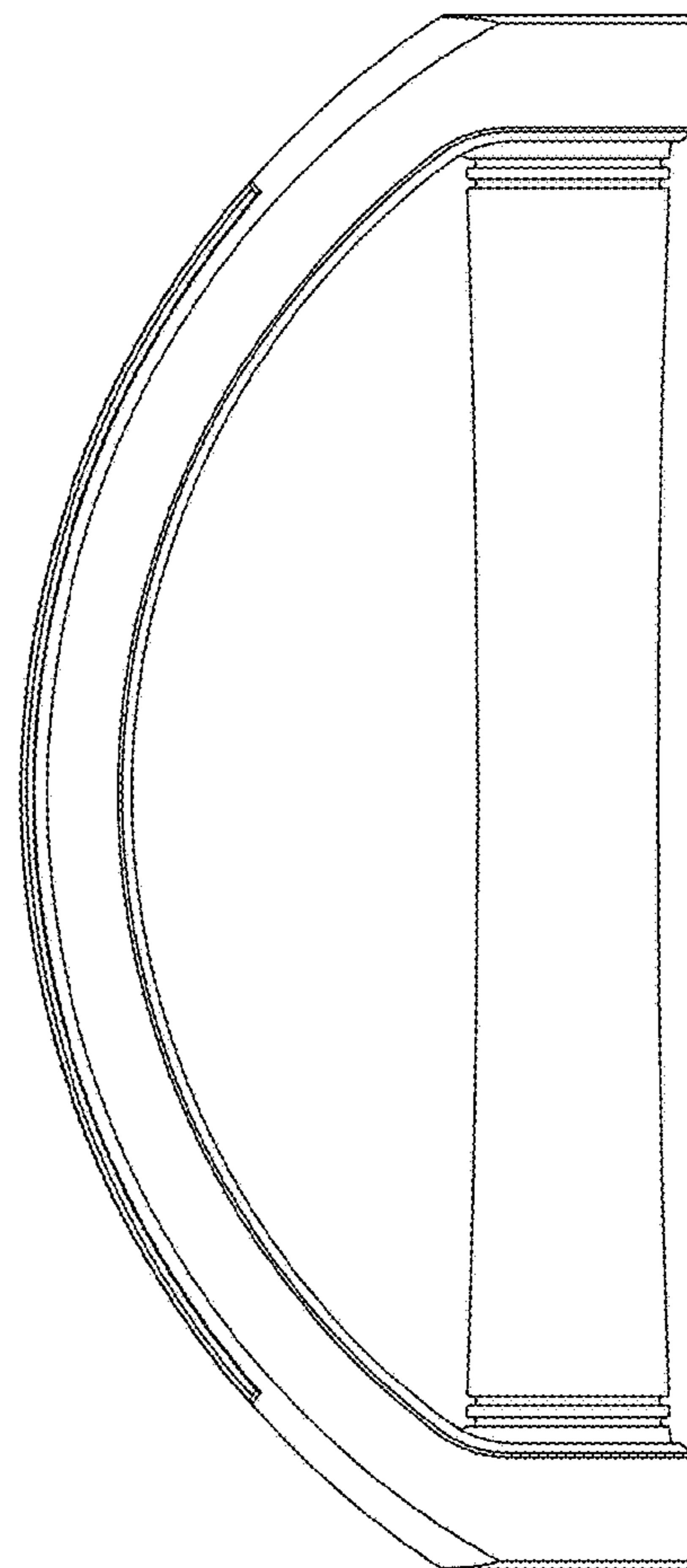




FIG. 6

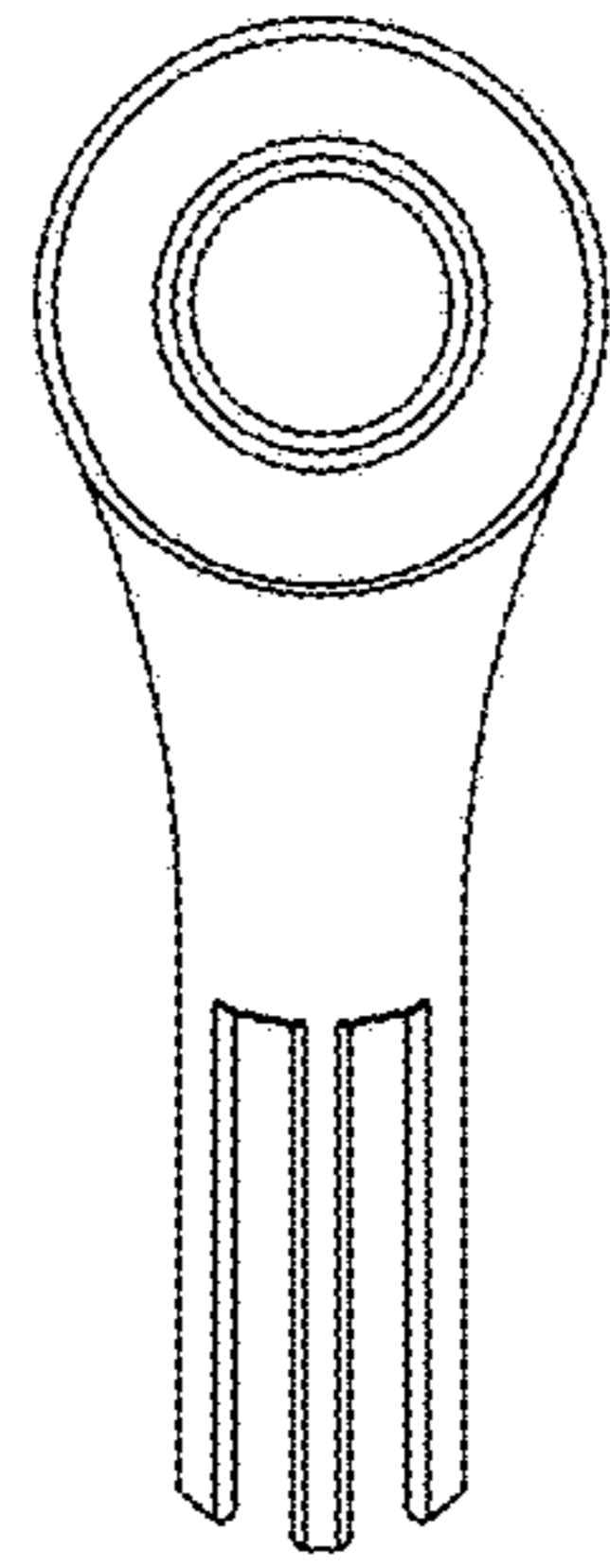


FIG. 7

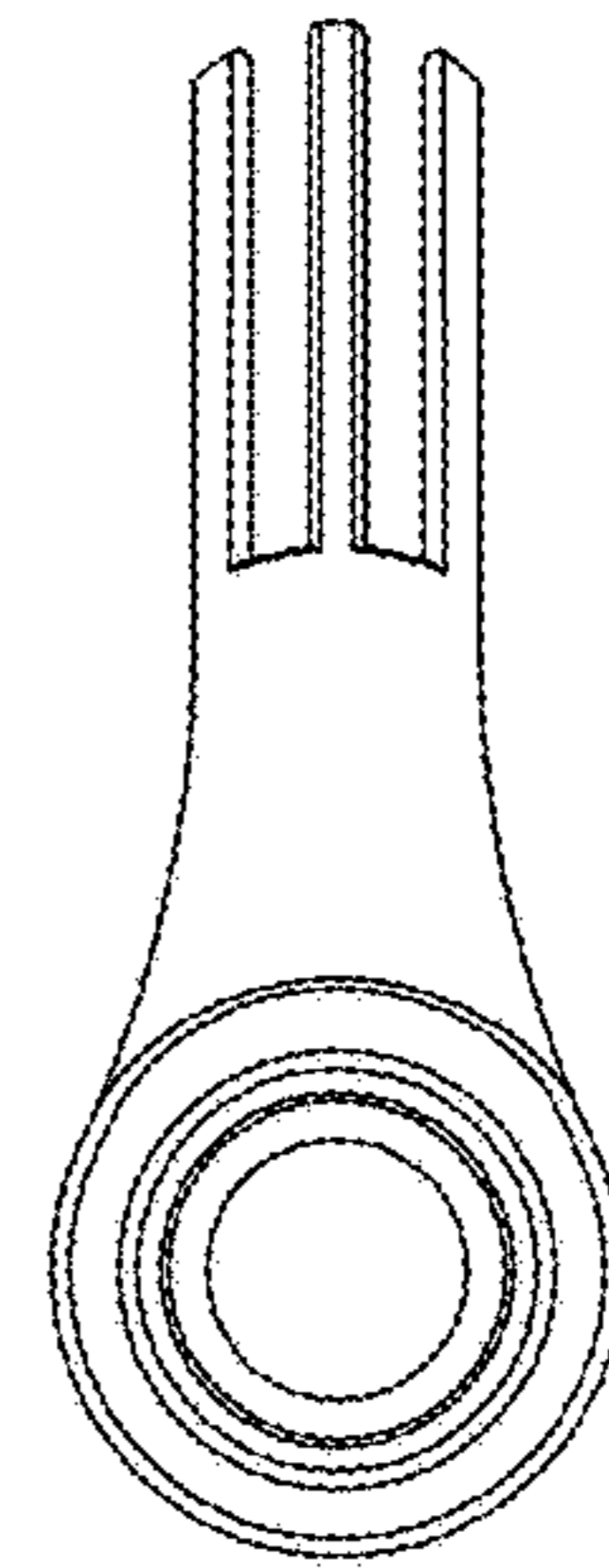


FIG. 8

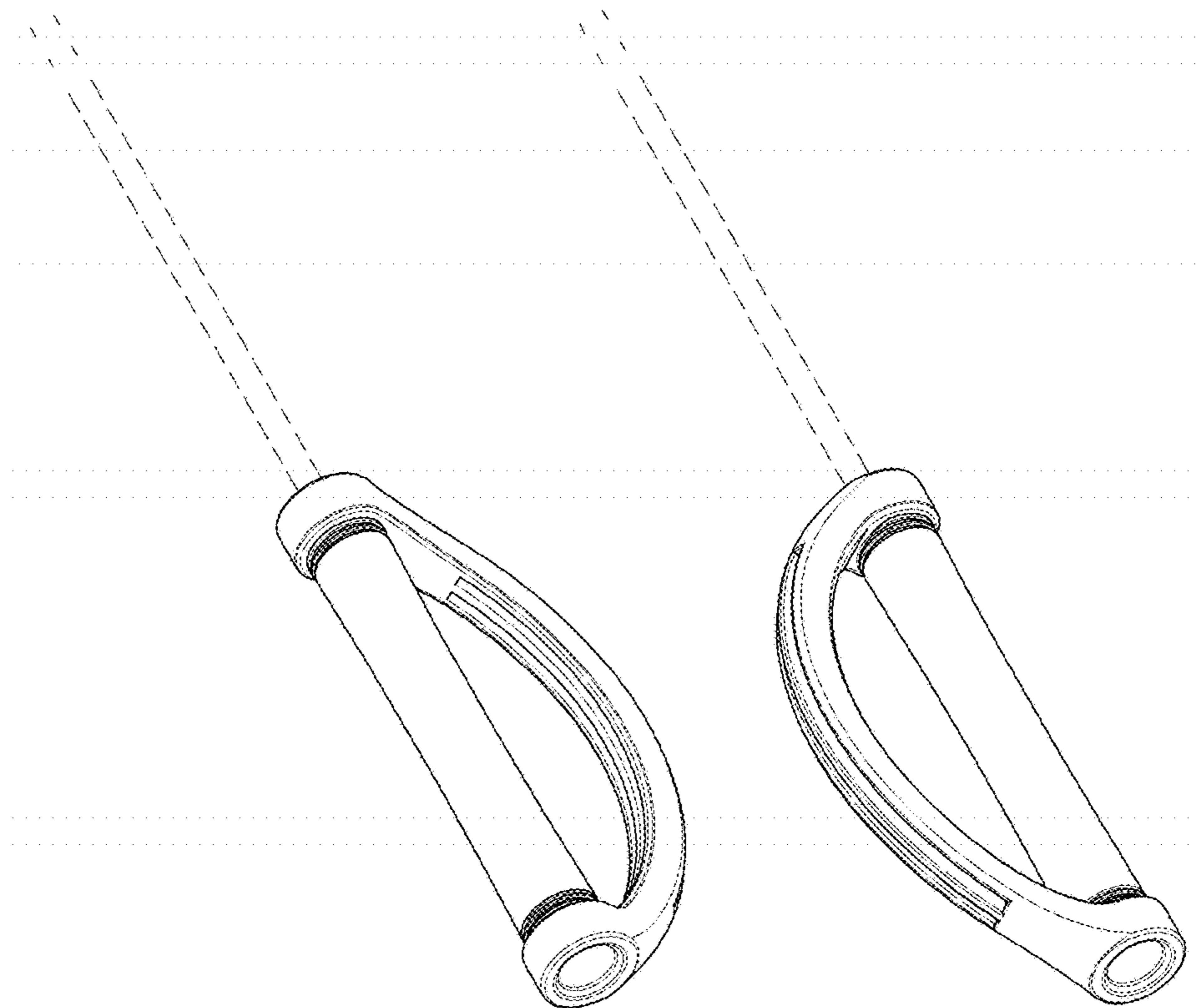


FIG. 9

