



US00D848556S

(12) **United States Design Patent** (10) **Patent No.:** **US D848,556 S**
Bolillo (45) **Date of Patent:** **** May 14, 2019**

- (54) **CIRCULAR FITNESS APPARATUS WITH PARALLEL BARS**
- (71) Applicant: **Mathieu Bolillo**, Parempuyre (FR)
- (72) Inventor: **Mathieu Bolillo**, Parempuyre (FR)
- (**) Term: **15 Years**
- (21) Appl. No.: **29/580,854**
- (22) Filed: **Oct. 13, 2016**
- (30) **Foreign Application Priority Data**
 - Apr. 19, 2016 (EM) 003074988
- (51) **LOC (11) Cl.** **21-02**
- (52) **U.S. Cl.**
USPC **D21/691**
- (58) **Field of Classification Search**
 - USPC 211/123, 182, 183, 196, 207; 482/23, 24, 482/25, 34, 37, 38, 140, 141, 142; D7/213, 387, 504; D21/662, 673, 679, D21/684, 686, 687, 691, 694, 777, 797; D32/55, 58, 65
 - CPC ... A63B 1/00; A63B 21/00047; A63B 71/023; A63B 9/00; A63B 21/4035; A63B 23/1227; A63B 21/026; A63B 21/0414

See application file for complete search history.

- (56) **References Cited**
 - U.S. PATENT DOCUMENTS
 - 2,666,640 A * 1/1954 Jennings, Sr. A63B 3/00 482/141
 - 3,016,267 A * 1/1962 Cones A47C 16/02 297/423.41
 - D210,469 S * 3/1968 Sejersen 482/40
 - D267,419 S * 12/1982 Komarnicki D21/691
 - 4,826,151 A * 5/1989 Nuredin A63B 21/0004 297/423.38
 - D309,365 S * 7/1990 Keene D1/105
 - D327,606 S * 7/1992 Oellig D6/678.4

- D387,949 S * 12/1997 Bentson 99/426
- D519,586 S * 4/2006 Schulz D21/691
- D536,753 S * 2/2007 Rongo D21/685
- D566,800 S * 4/2008 St. Jules D21/691
- D580,998 S * 11/2008 Lin D21/686
- 7,476,187 B2 * 1/2009 Corte A63B 1/00 482/141
- D593,169 S * 5/2009 Storch D21/686
- D662,997 S * 7/2012 Su D21/662
- D675,686 S * 2/2013 Maki A63B 21/0004 D21/662
- D686,287 S * 7/2013 Boatwright D21/686
- D691,220 S * 10/2013 Calvin D21/662
- D701,581 S * 3/2014 Heitzman D21/686
- D703,773 S * 4/2014 Henry D21/691
- D704,779 S * 5/2014 Boatwright D21/686
- D712,987 S * 9/2014 Salzedo D21/662
- D795,970 S * 8/2017 McMaster D21/662
- 2005/0101461 A1 * 5/2005 Johnson A63B 21/0004 482/141
- 2005/0209054 A1 * 9/2005 Thomas Lebert A63B 1/00 482/41

(Continued)

Primary Examiner — Cynthia Ramirez
Assistant Examiner — Michael A Maharajh
(74) *Attorney, Agent, or Firm* — Connie R. Masters

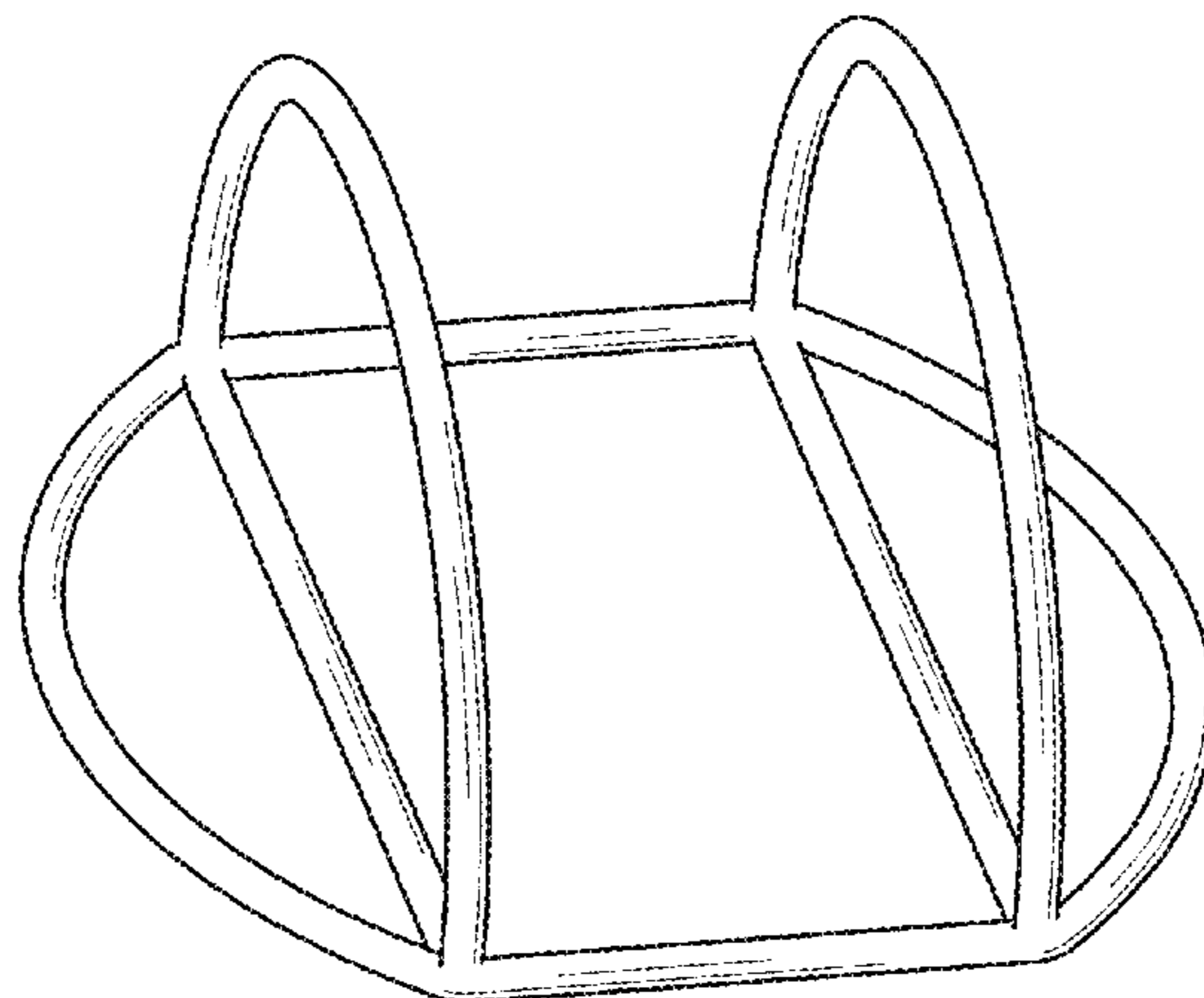
(57) **CLAIM**

The ornamental design for a circular fitness apparatus with parallel bars, as shown and described.

DESCRIPTION

FIG. 1 is a top perspective view of a circular fitness apparatus with parallel bars showing my new design; FIG. 2 is a top perspective view thereof; FIG. 3 is a right-side elevation view thereof; the left-side view being a mirror image thereof; and, FIG. 4 is a front perspective view thereof.

1 Claim, 4 Drawing Sheets



(56)

References Cited

U.S. PATENT DOCUMENTS

2009/0124471 A1* 5/2009 Storch A63B 21/00047
482/141
2012/0046150 A1* 2/2012 Stacey A63B 1/00
482/131
2014/0200123 A1* 7/2014 Placide A63B 21/068
482/139
2014/0371040 A1* 12/2014 Vasquez A63B 1/00
482/132
2016/0074693 A1* 3/2016 Henry A63B 21/068
482/141

* cited by examiner

FIG. 1

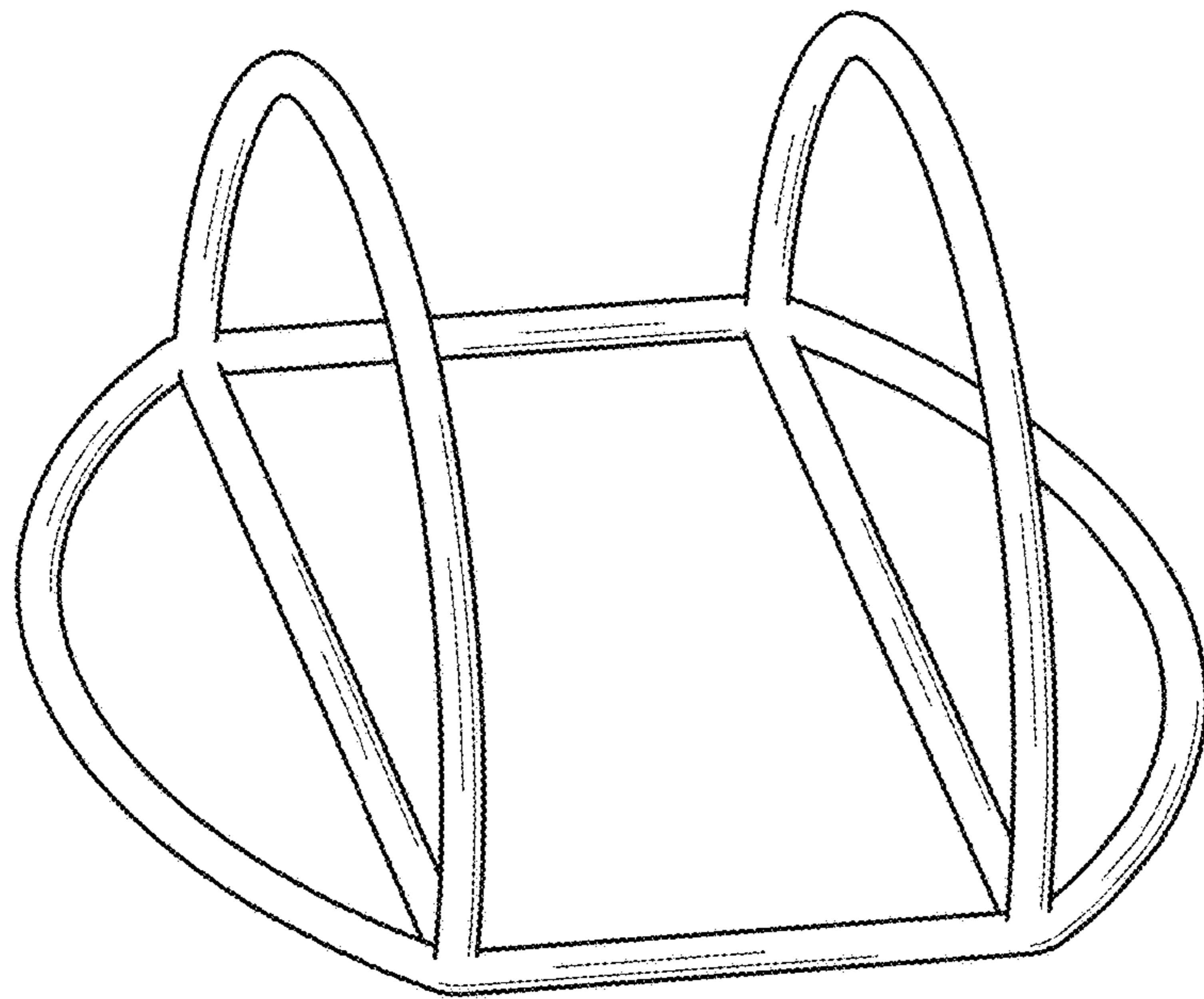


FIG. 2

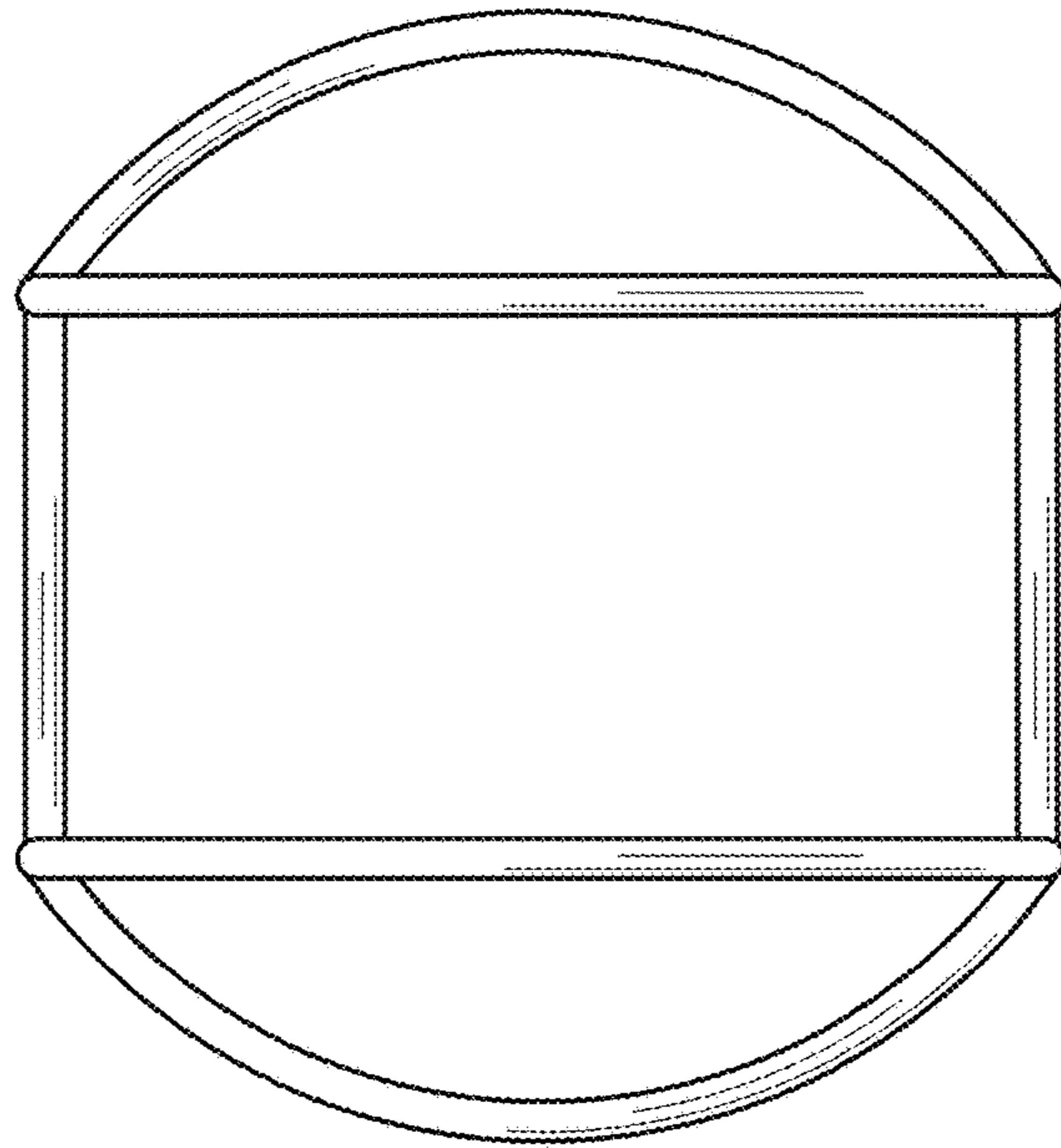


FIG. 3

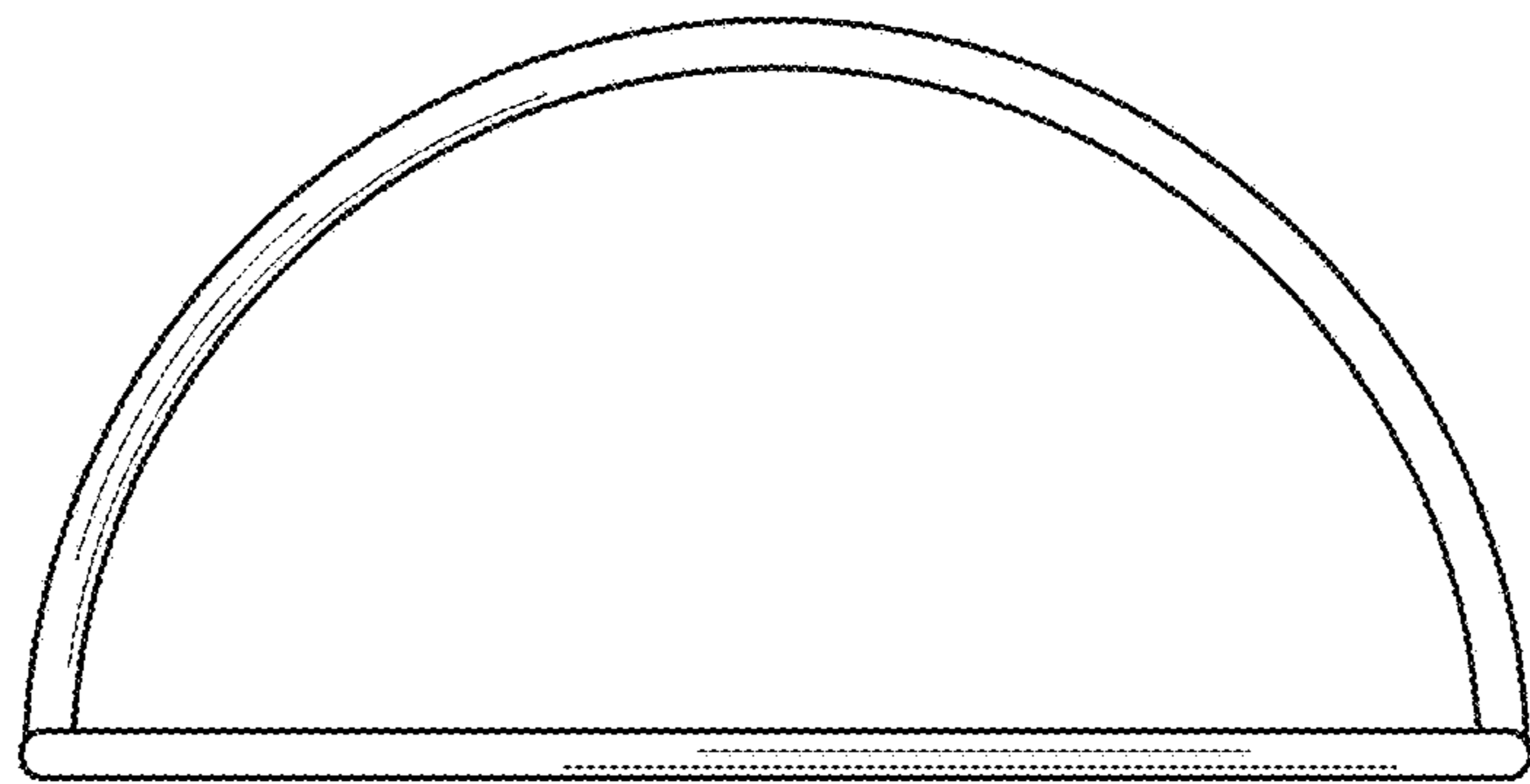


FIG. 4

