



US00D848553S

(12) **United States Design Patent**  
**Noback et al.**

(10) **Patent No.:** **US D848,553 S**

(45) **Date of Patent:** **\*\* May 14, 2019**

(54) **TORSO TRAINER**

(71) Applicant: **ALLTrand, Inc.**, Alpharetta, GA (US)

(72) Inventors: **Carl Noback**, Alpharetta, GA (US);  
**Don Gasgarth**, Alpharetta, GA (US);  
**Karl Poehls**, Alpharetta, GA (US);  
**Jeffrey Zwitter**, Alpharetta, GA (US)

(\*\*) Term: **15 Years**

(21) Appl. No.: **29/624,650**

(22) Filed: **Nov. 2, 2017**

(51) **LOC (11) Cl.** ..... **21-02**

(52) **U.S. Cl.**  
USPC ..... **D21/686**

(58) **Field of Classification Search**  
USPC .. 482/40, 93, 94, 95, 98, 99, 100, 101, 104,  
482/121, 140, 142, 143, 144, 145;  
D21/662, 673, 675, 676, 686, 690, 691,  
D21/694  
CPC ..... A63B 21/4035; A63B 22/16; A63B 22/20;  
A63B 22/203  
See application file for complete search history.

7,044,898 B2 \* 5/2006 Kuo ..... A63B 21/04  
482/121

7,147,594 B1 \* 12/2006 Vittone ..... A63B 21/078  
482/142

7,455,633 B2 \* 11/2008 Brown ..... A63B 21/068  
482/140

7,641,596 B2 \* 1/2010 Sharps ..... A63B 23/03525  
473/276

D649,205 S \* 11/2011 Zachary ..... D21/676

8,951,174 B2 \* 2/2015 Huang ..... A61H 23/0263  
482/111

9,220,939 B2 \* 12/2015 Chen ..... A63B 21/4031

9,320,935 B1 \* 4/2016 Paris ..... A63B 21/015

\* cited by examiner

*Primary Examiner* — Cynthia Ramirez  
*Assistant Examiner* — Michael A Maharajh  
(74) *Attorney, Agent, or Firm* — Clayton, McKay & Bailey, PC

(57) **CLAIM**

The ornamental design for a torso trainer, as shown and described.

**DESCRIPTION**

FIG. 1 is a perspective view of a torso trainer showing our new design.

FIG. 2 is a front view of the torso trainer.

FIG. 3 is a rear view of the torso trainer.

FIG. 4 is a left-side view of the torso trainer.

FIG. 5 is a right-side view of the torso trainer.

FIG. 6 is a top view of the torso trainer; and,

FIG. 7 is a bottom view of the torso trainer.

The broken lines in the drawings are for the purposes of illustrating portions of the torso trainer, which form no part of the claimed design.

**1 Claim, 7 Drawing Sheets**

(56) **References Cited**

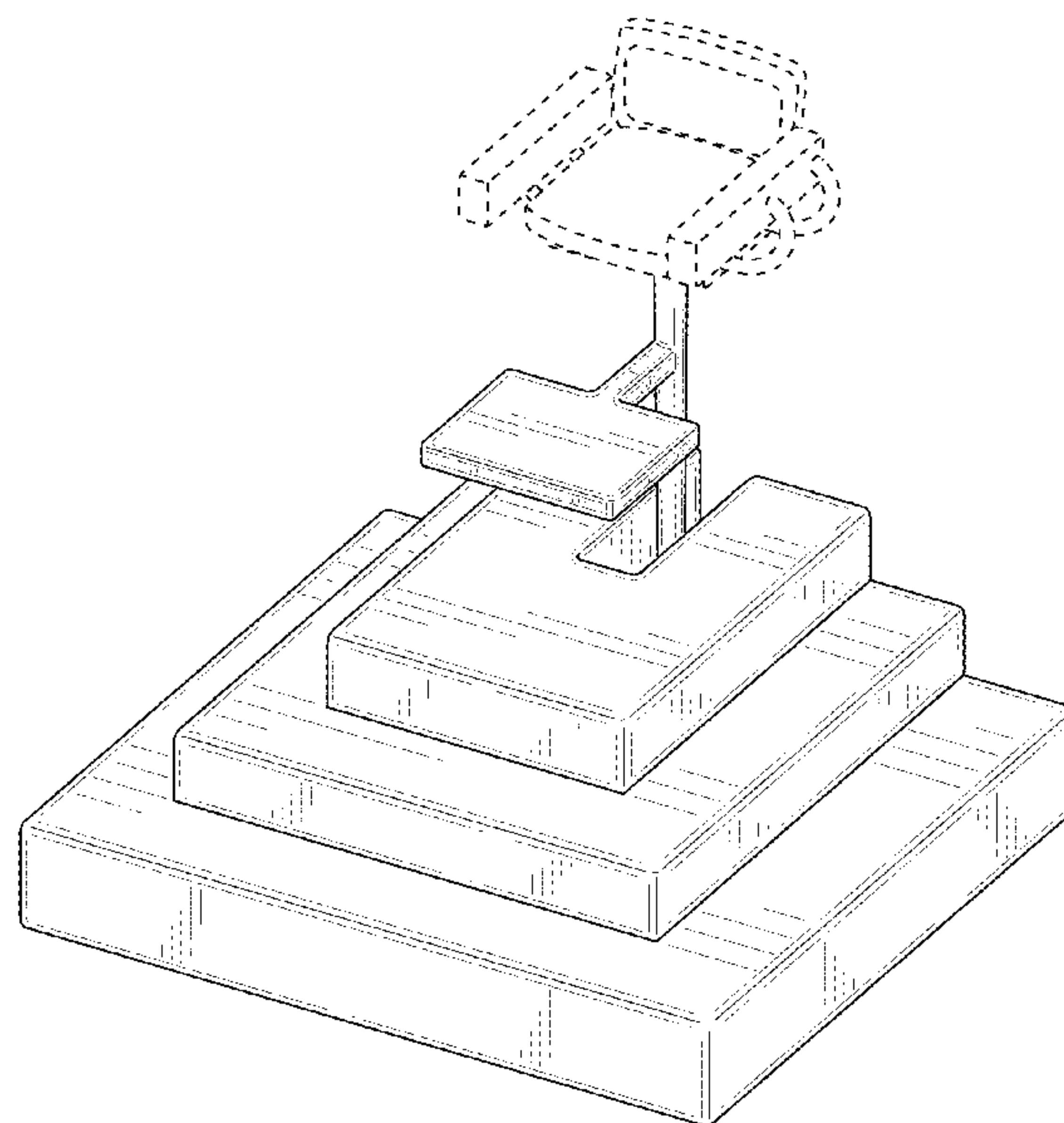
U.S. PATENT DOCUMENTS

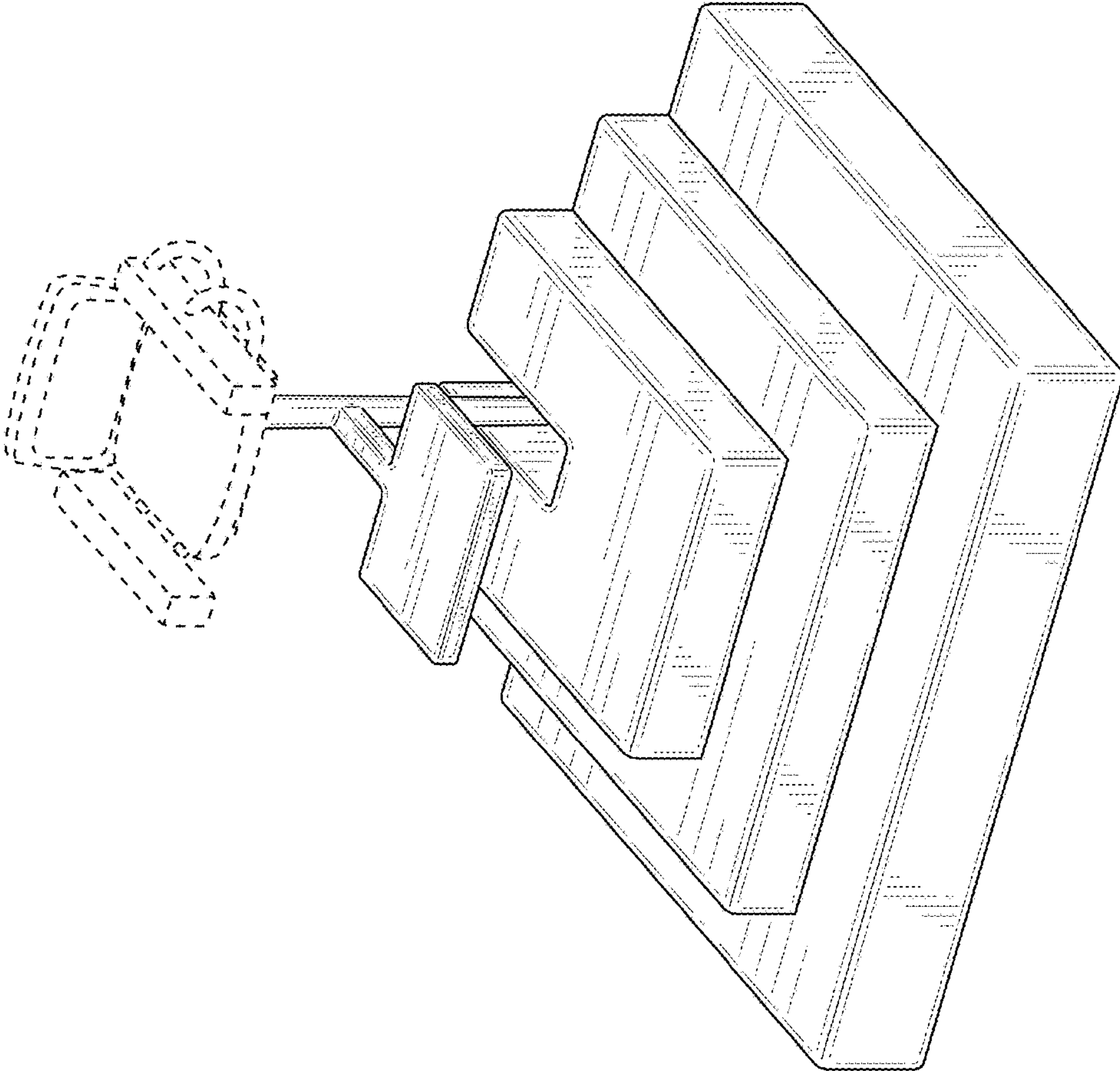
5,232,426 A \* 8/1993 Van Straaten ..... A63B 21/154  
482/123

5,702,332 A \* 12/1997 Hsieh ..... A63B 21/04  
482/130

6,244,999 B1 \* 6/2001 Alessandri ..... A63B 23/035  
482/108

6,379,289 B1 \* 4/2002 Gossie ..... A63B 21/055  
482/138





**FIG. 1**

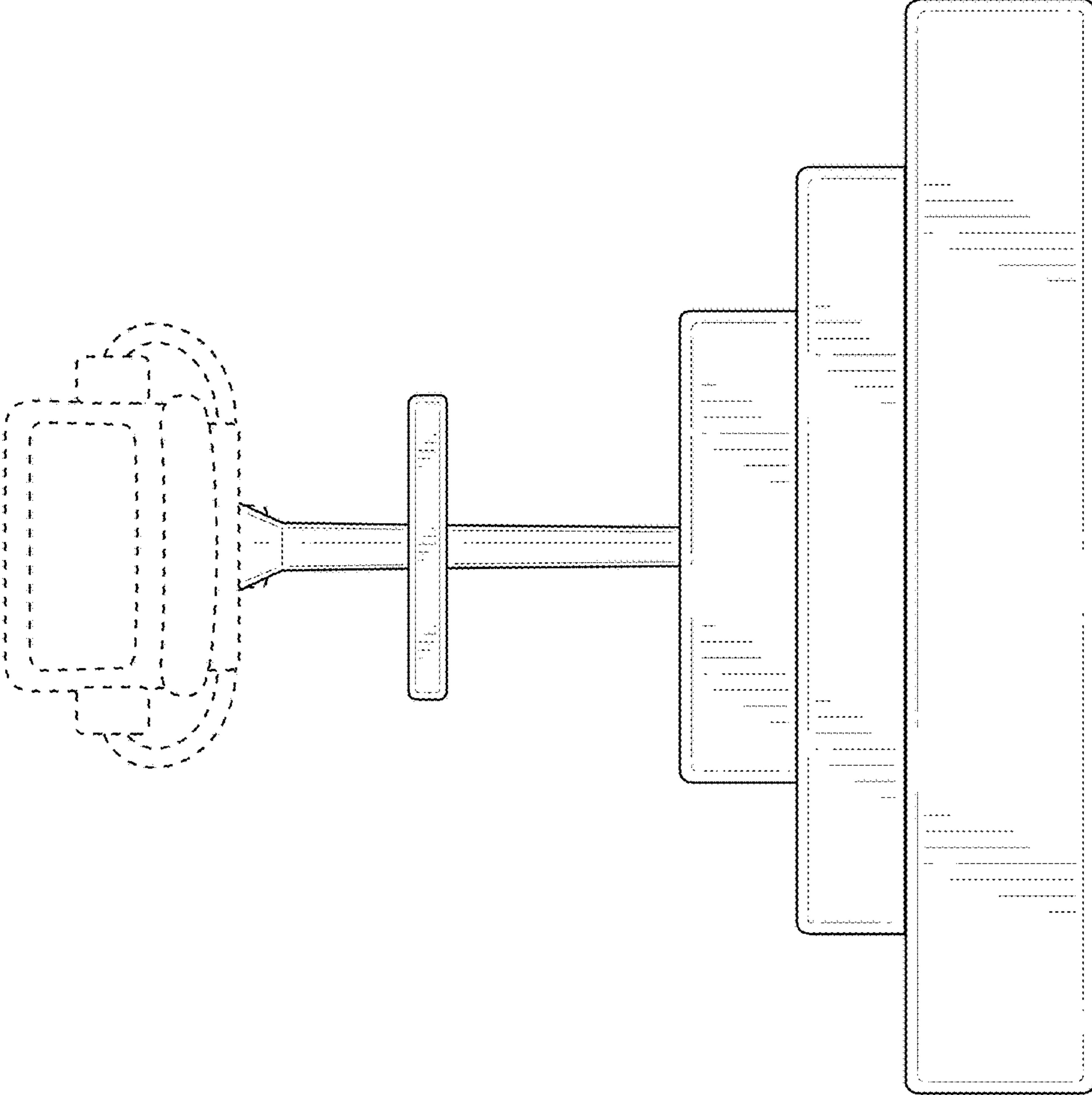
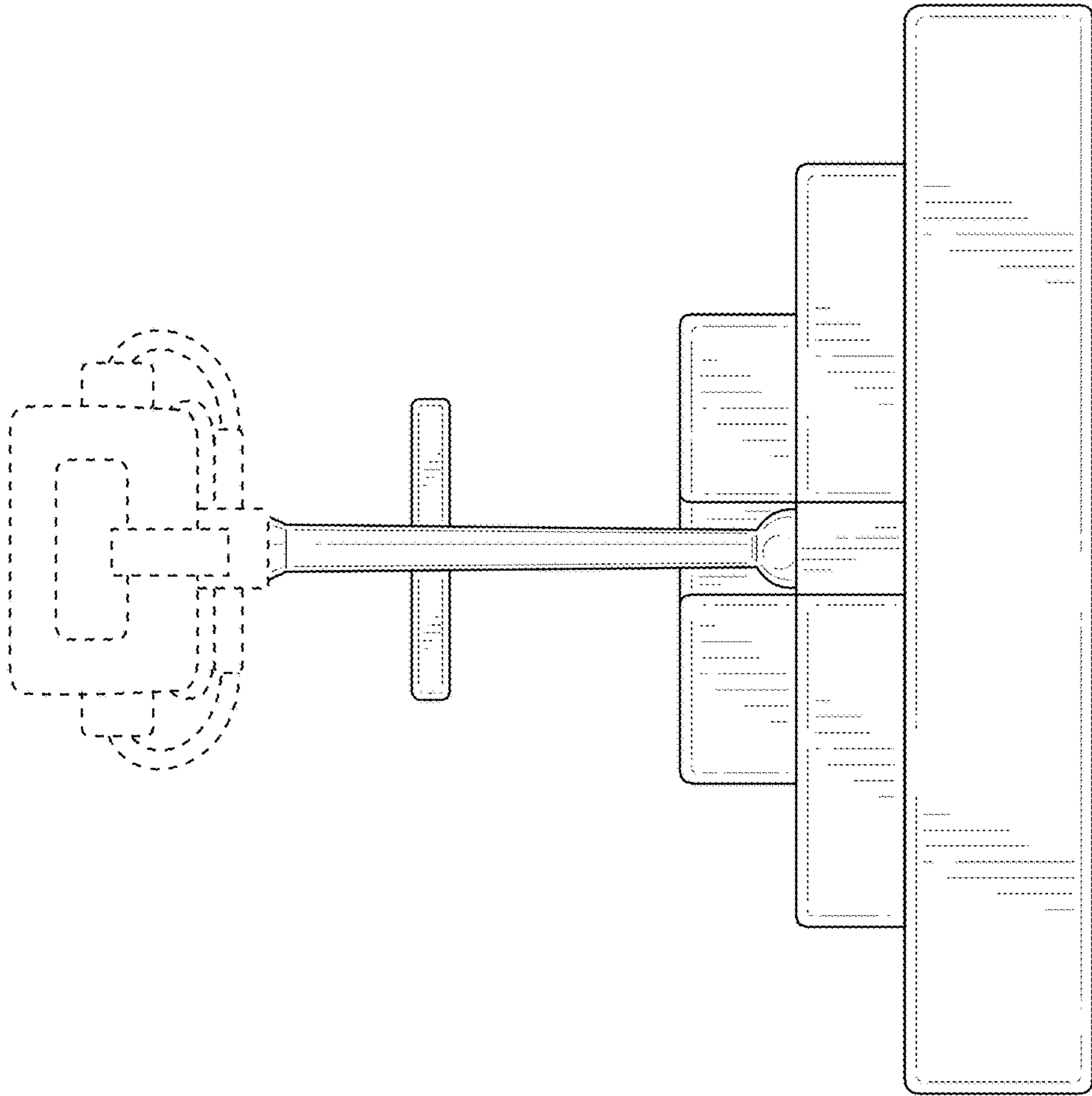
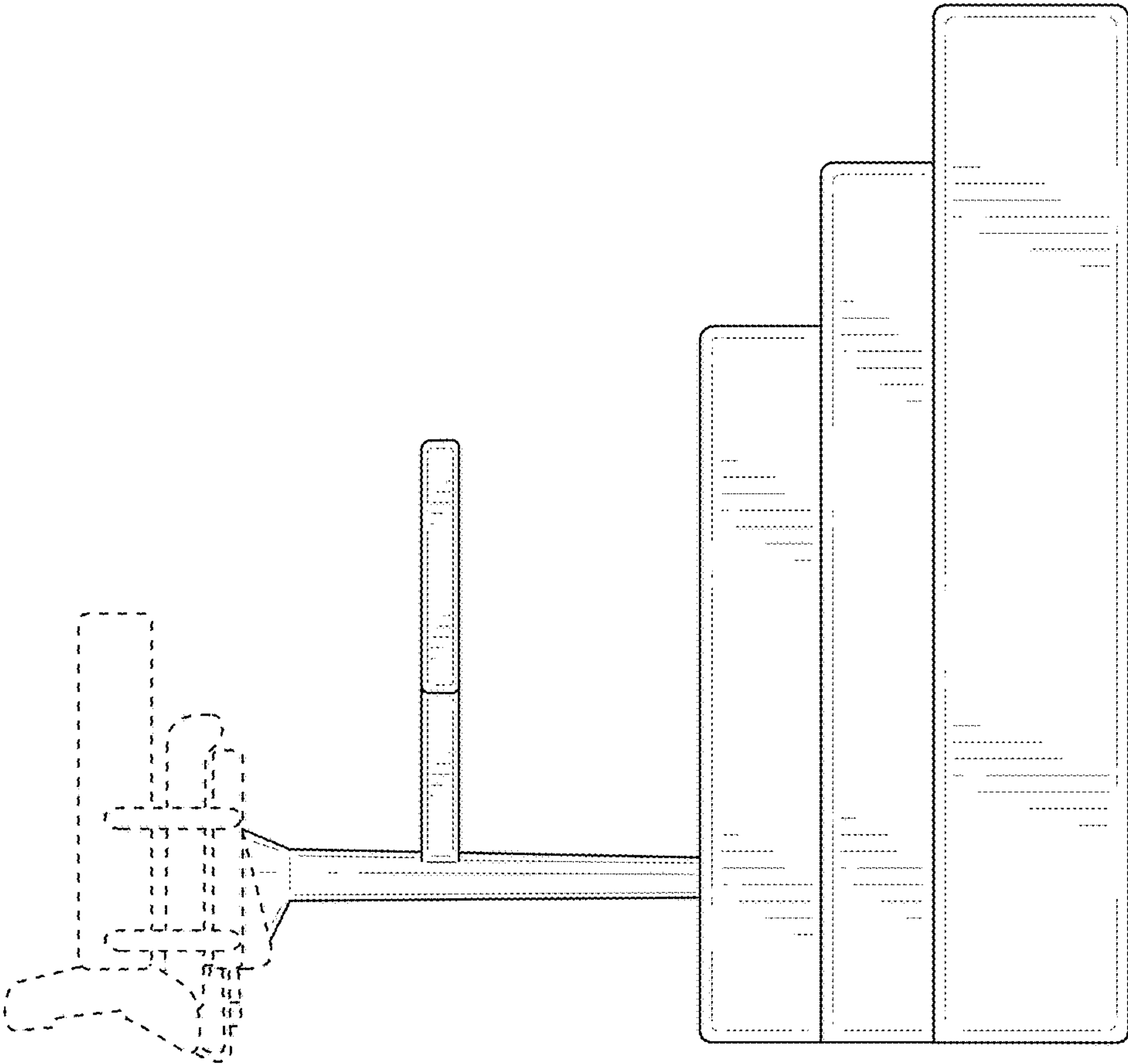


FIG. 2



**FIG. 3**



**FIG. 4**

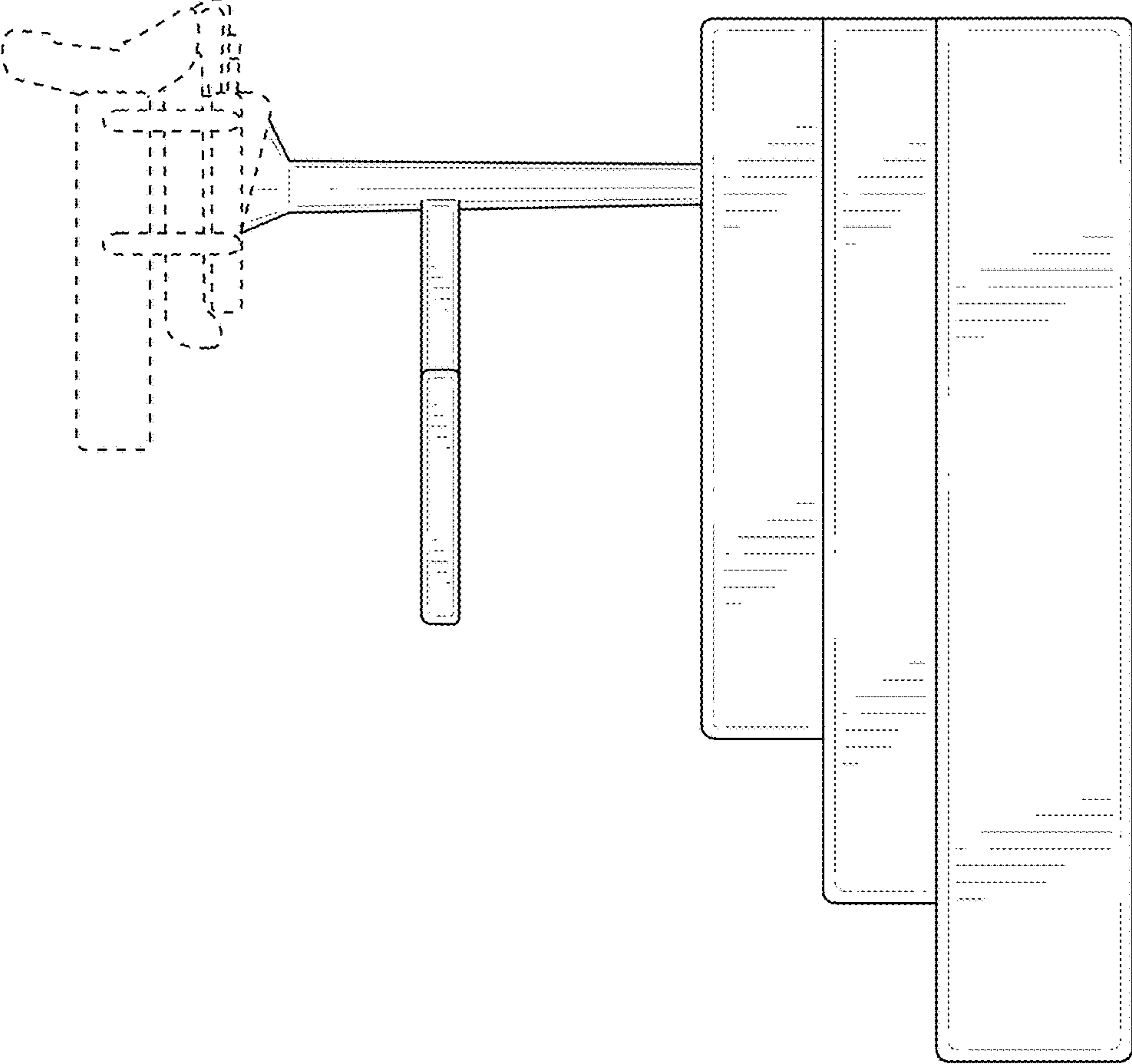
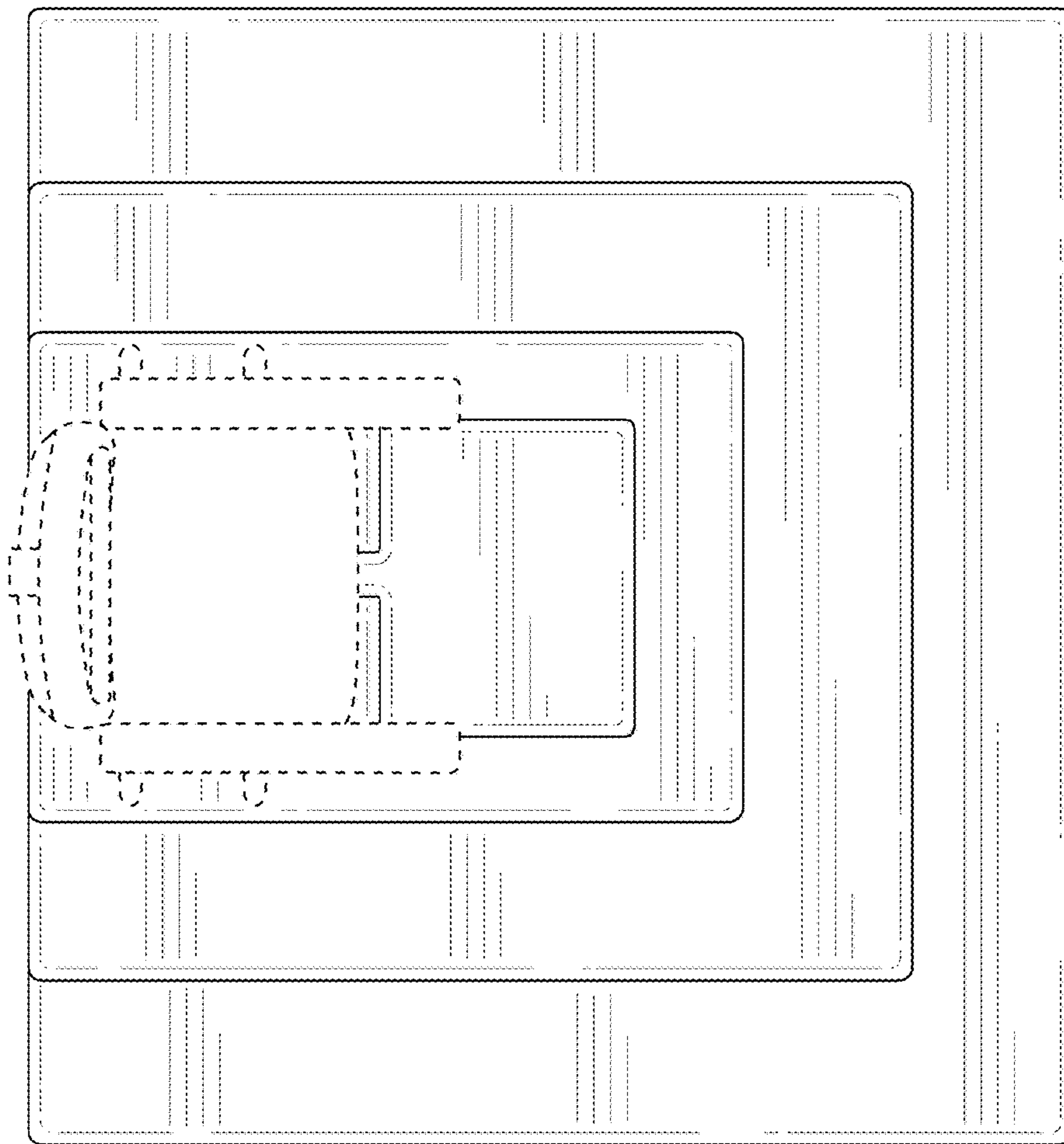
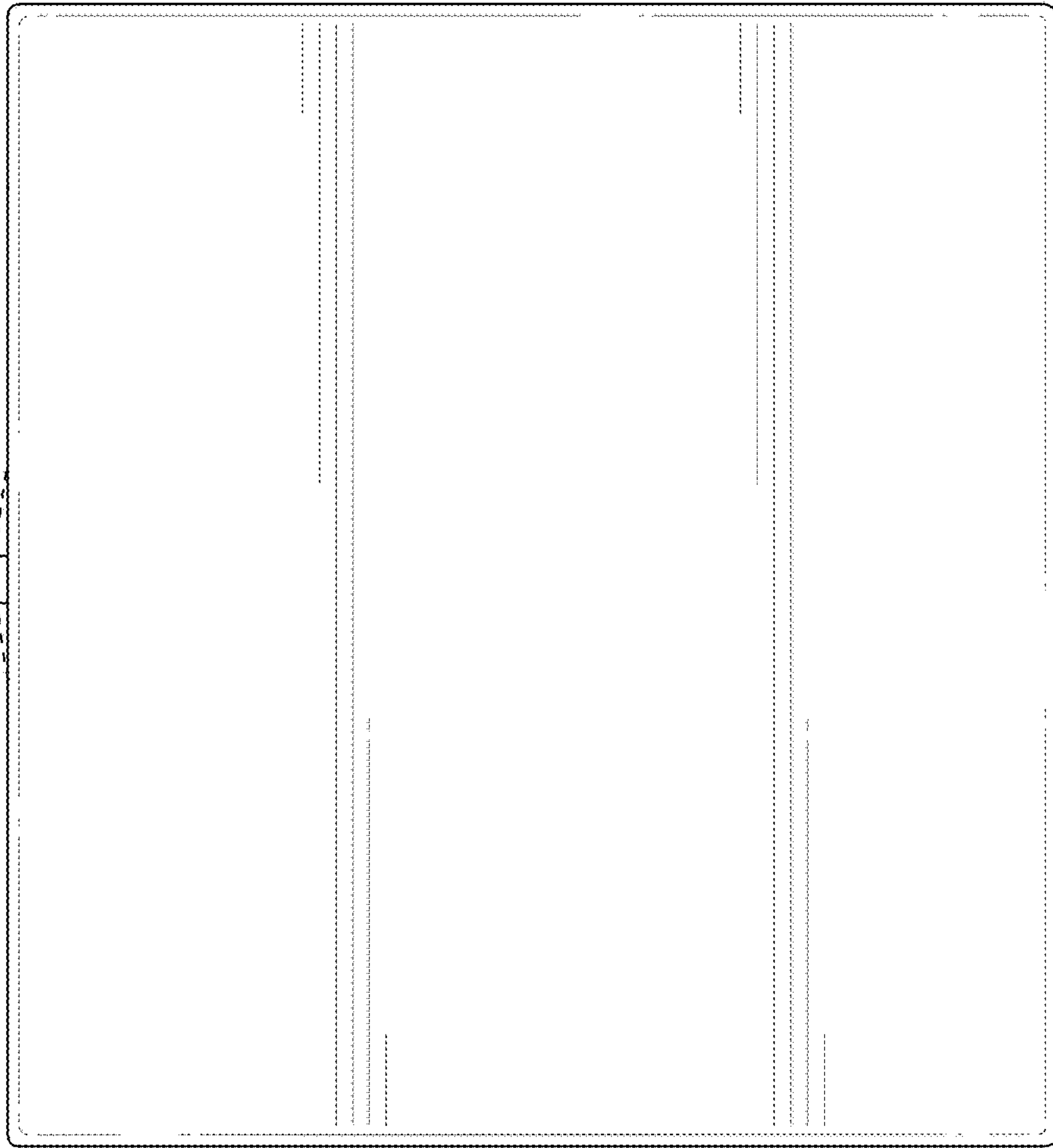


FIG. 5





**FIG. 6**



**FIG. 7**