



US00D848551S

(12) **United States Design Patent**  
**Cummings et al.**

(10) **Patent No.:** **US D848,551 S**

(45) **Date of Patent:** **\*\* May 14, 2019**

(54) **POSABLE TOY CAT**

(71) Applicant: **KMA Concepts Limited**, Tsim Sha Tsui, Kowloon (HK)

(72) Inventors: **Peter John Cummings**, Kowloon (HK); **Chun Kit Ng**, Kowloon (HK)

(73) Assignee: **KMA Concepts Limited**, North Point (HK)

(\*\*) Term: **15 Years**

(21) Appl. No.: **29/621,384**

(22) Filed: **Oct. 6, 2017**

(51) **LOC (11) Cl.** ..... **21-01**

(52) **U.S. Cl.**  
USPC ..... **D21/617; D21/578**

(58) **Field of Classification Search**

USPC ..... D6/598; D11/158, 162; D21/576-595, D21/611-613, 617-618; 446/368-369, 446/376, 428, 487; 180/8.6; D30/160  
CPC ... A63H 3/00; A63H 3/02; A63H 3/04; A63H 3/16; A63H 3/28; A63H 33/00; A63H 7/06; A63H 11/00; A63H 11/10; A63H 11/20; A63H 13/00

See application file for complete search history.

(56) **References Cited**

**U.S. PATENT DOCUMENTS**

D418,551 S \* 1/2000 Kageyama ..... D21/576  
D465,248 S \* 11/2002 Ito ..... D21/617

D467,630 S \* 12/2002 Kawakita ..... D21/617  
D532,059 S \* 11/2006 Boutin ..... D21/617  
D544,553 S \* 6/2007 Lensvelt ..... D21/617  
D657,365 S \* 4/2012 Sung ..... D21/617  
D760,851 S \* 7/2016 Cummings ..... D21/578  
D778,372 S \* 2/2017 Cummings ..... D21/578

\* cited by examiner

*Primary Examiner* — Sandra L Morris

(74) *Attorney, Agent, or Firm* — LaMorte & Associates, P.C.

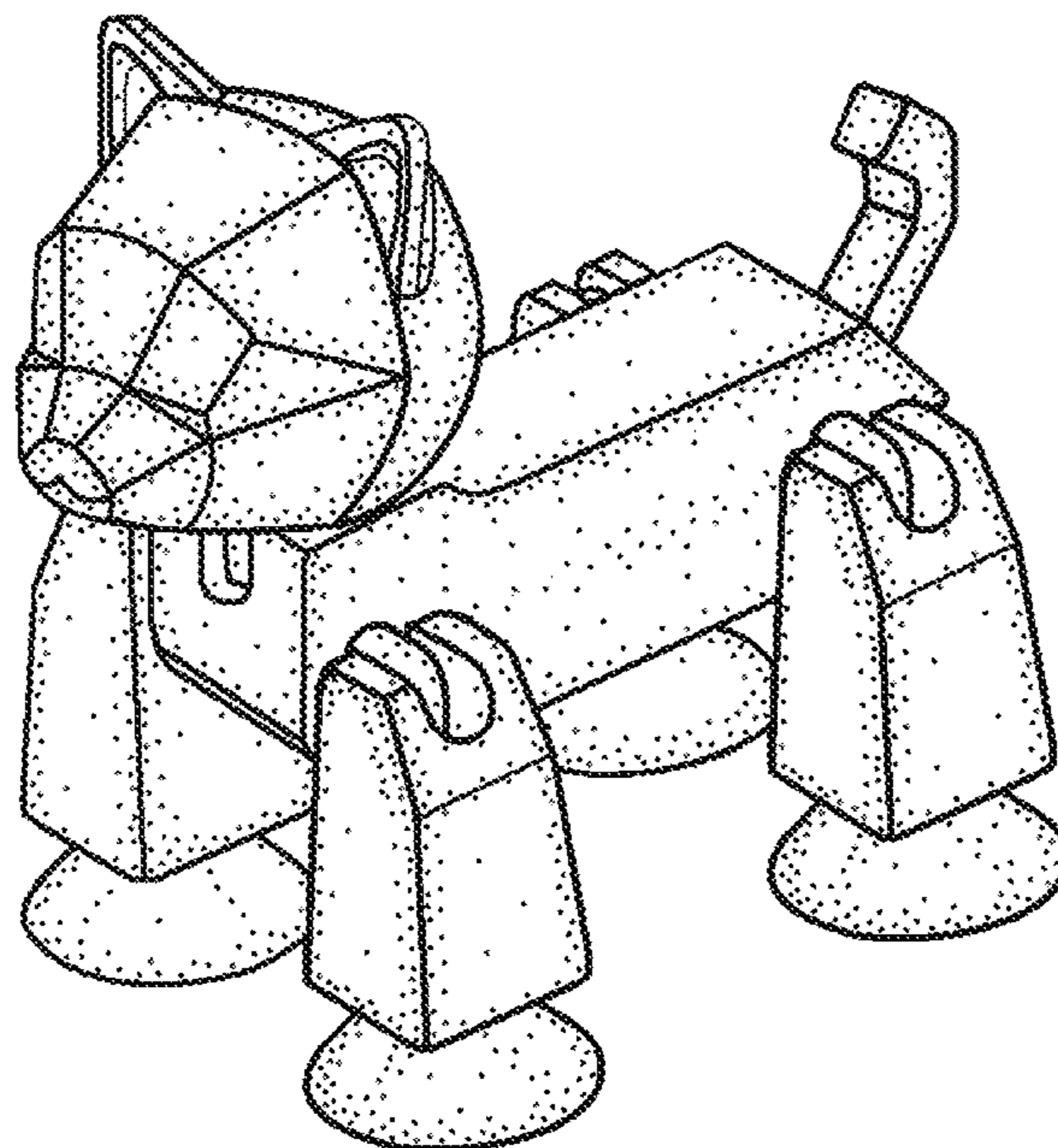
(57) **CLAIM**

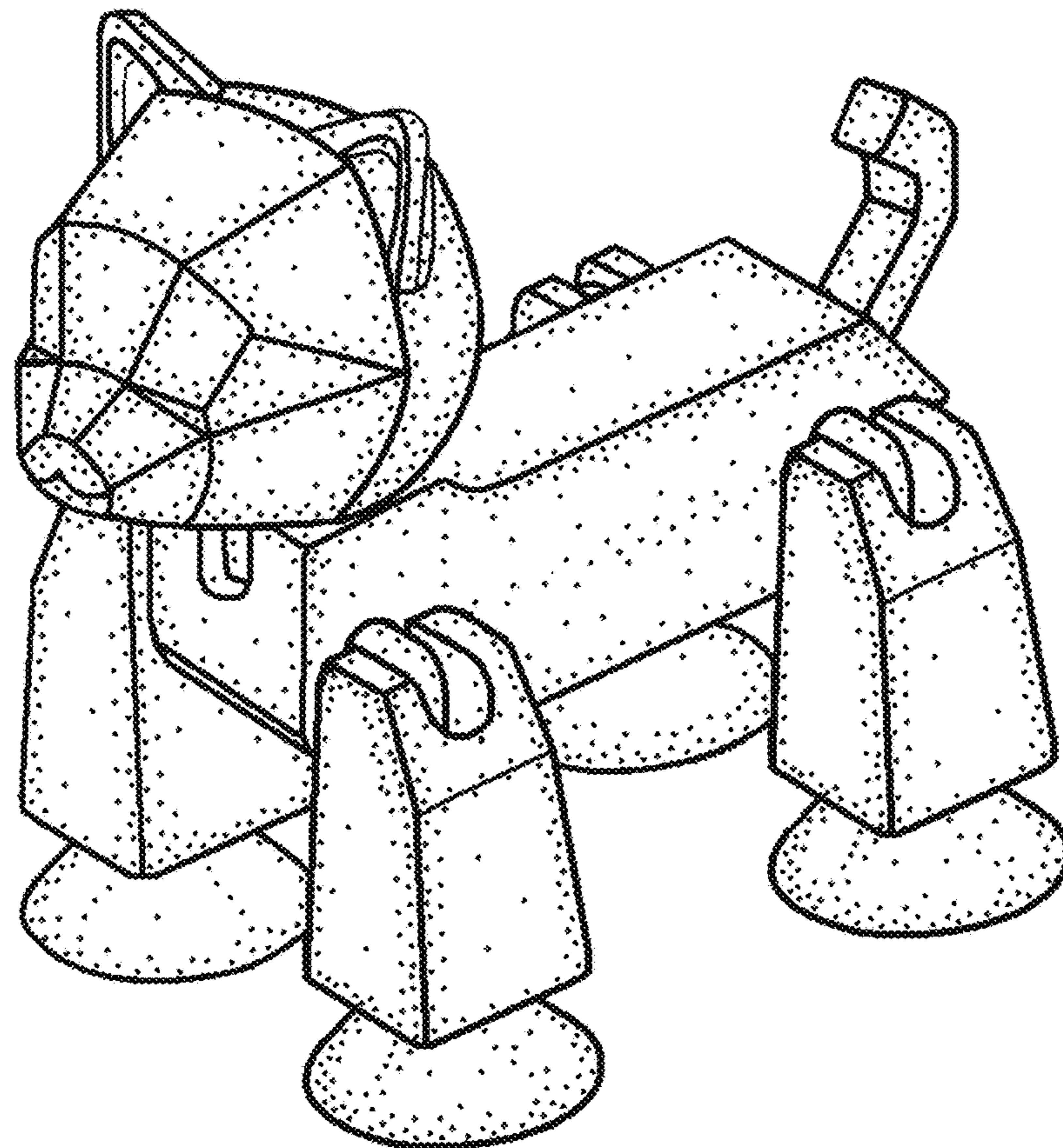
The ornamental design for a posable toy cat, as shown and described.

**DESCRIPTION**

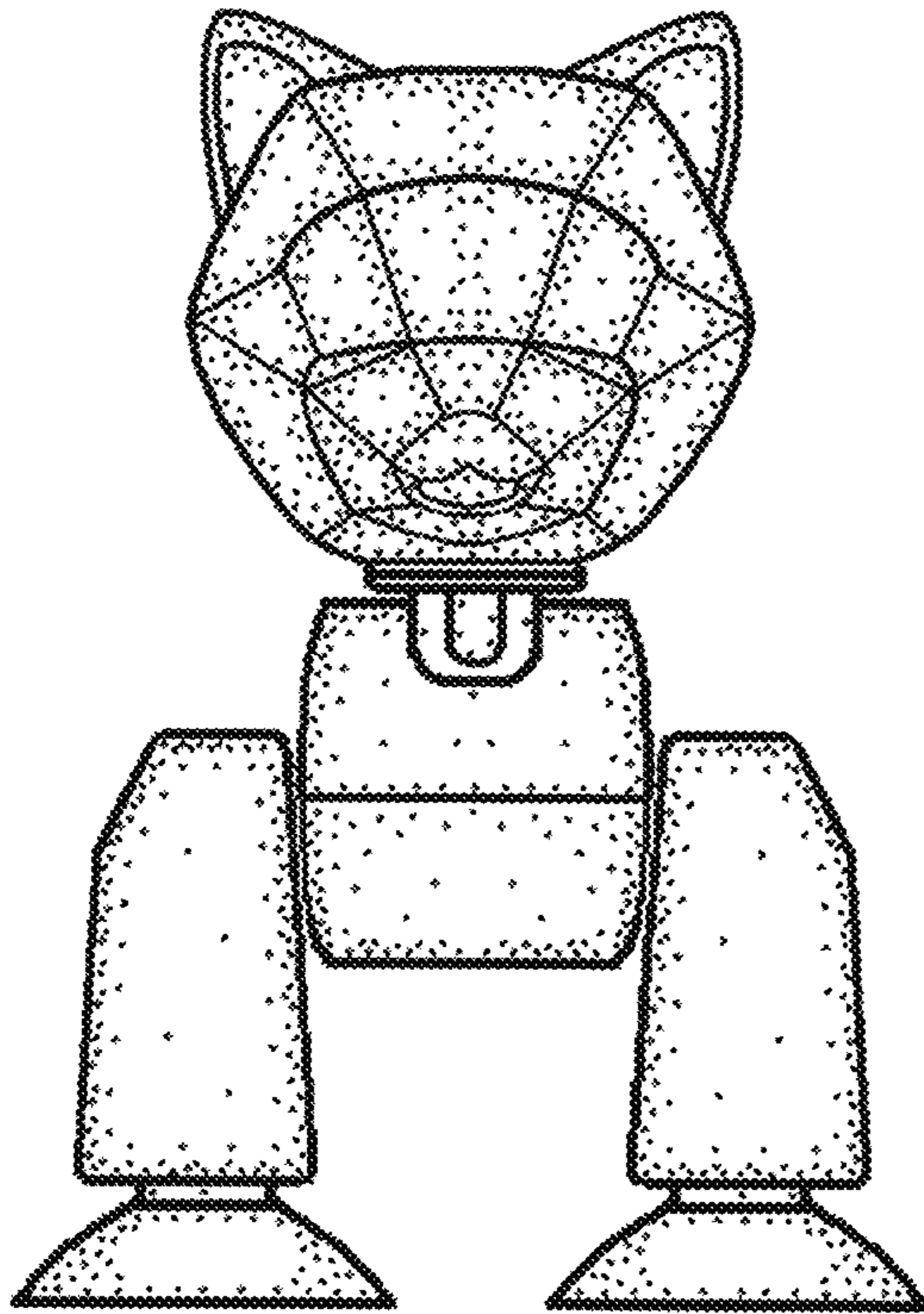
FIG. 1 is a perspective view of a posable toy cat;  
FIG. 2 is a front view thereof;  
FIG. 3 is a rear view thereof;  
FIG. 4 is a right side view thereof;  
FIG. 5 is a left side view thereof;  
FIG. 6 is a top view thereof; and,  
FIG. 7 is a bottom view thereof.

**1 Claim, 7 Drawing Sheets**

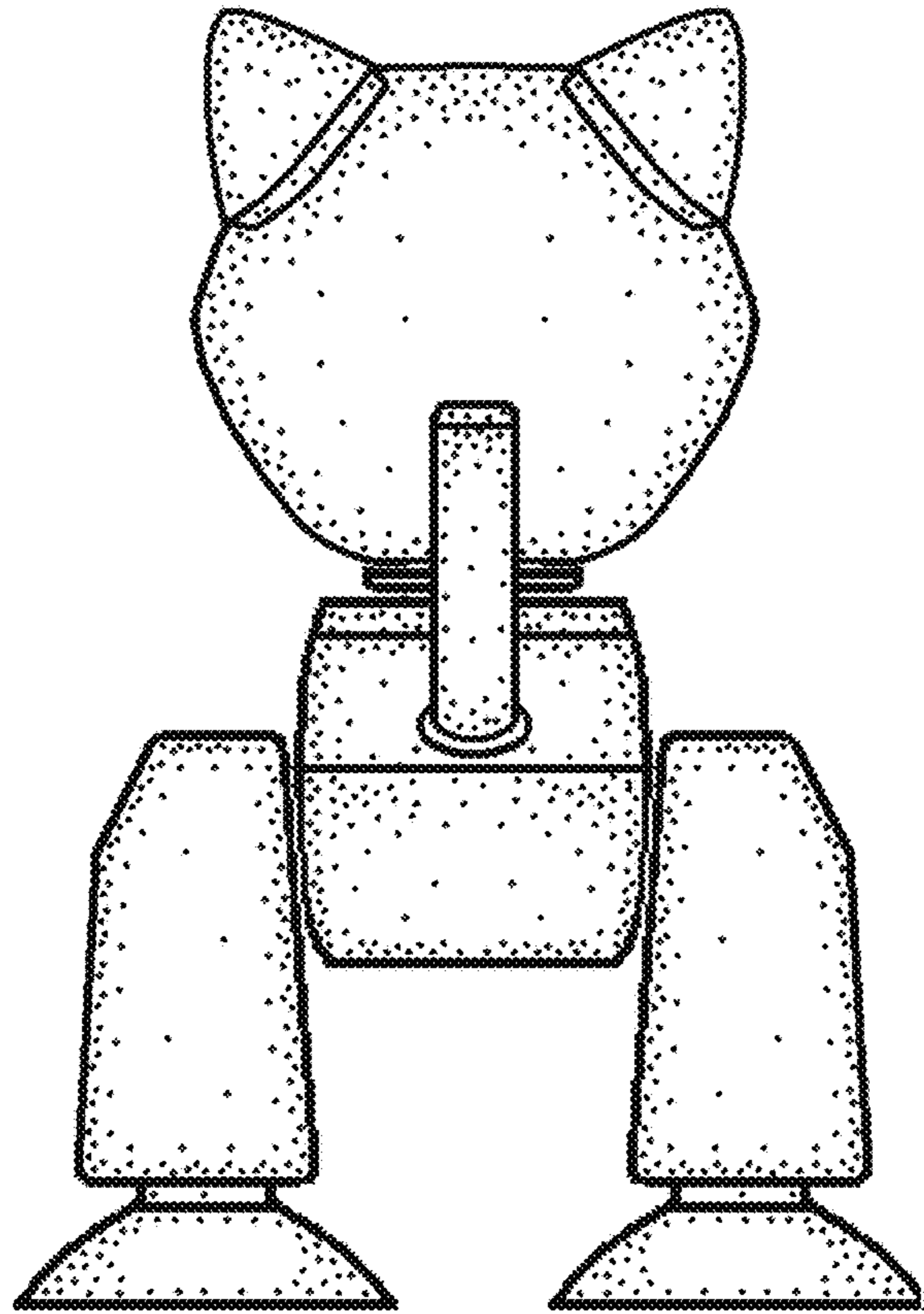




*FIG. 1*

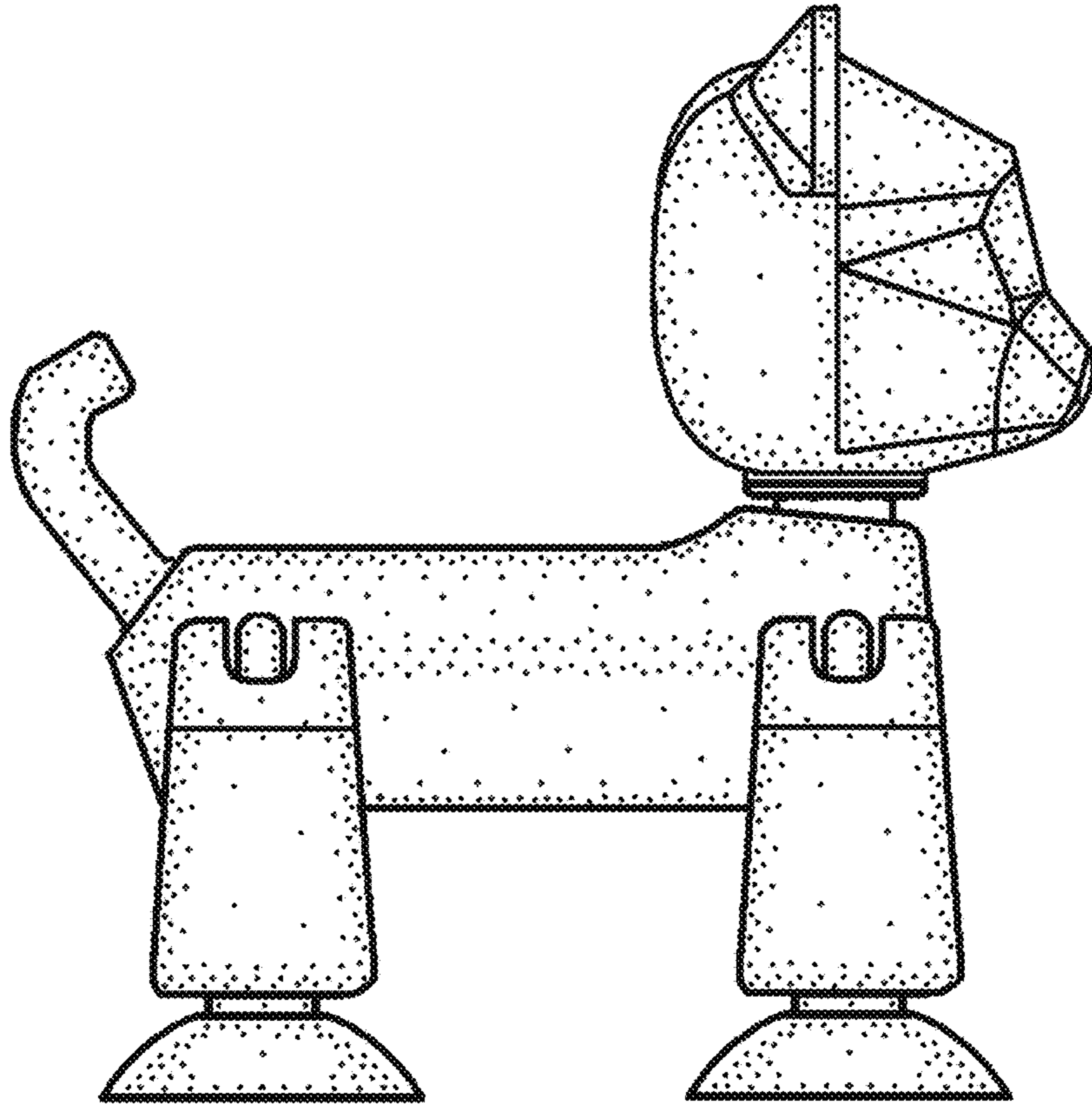


*FIG. 2*

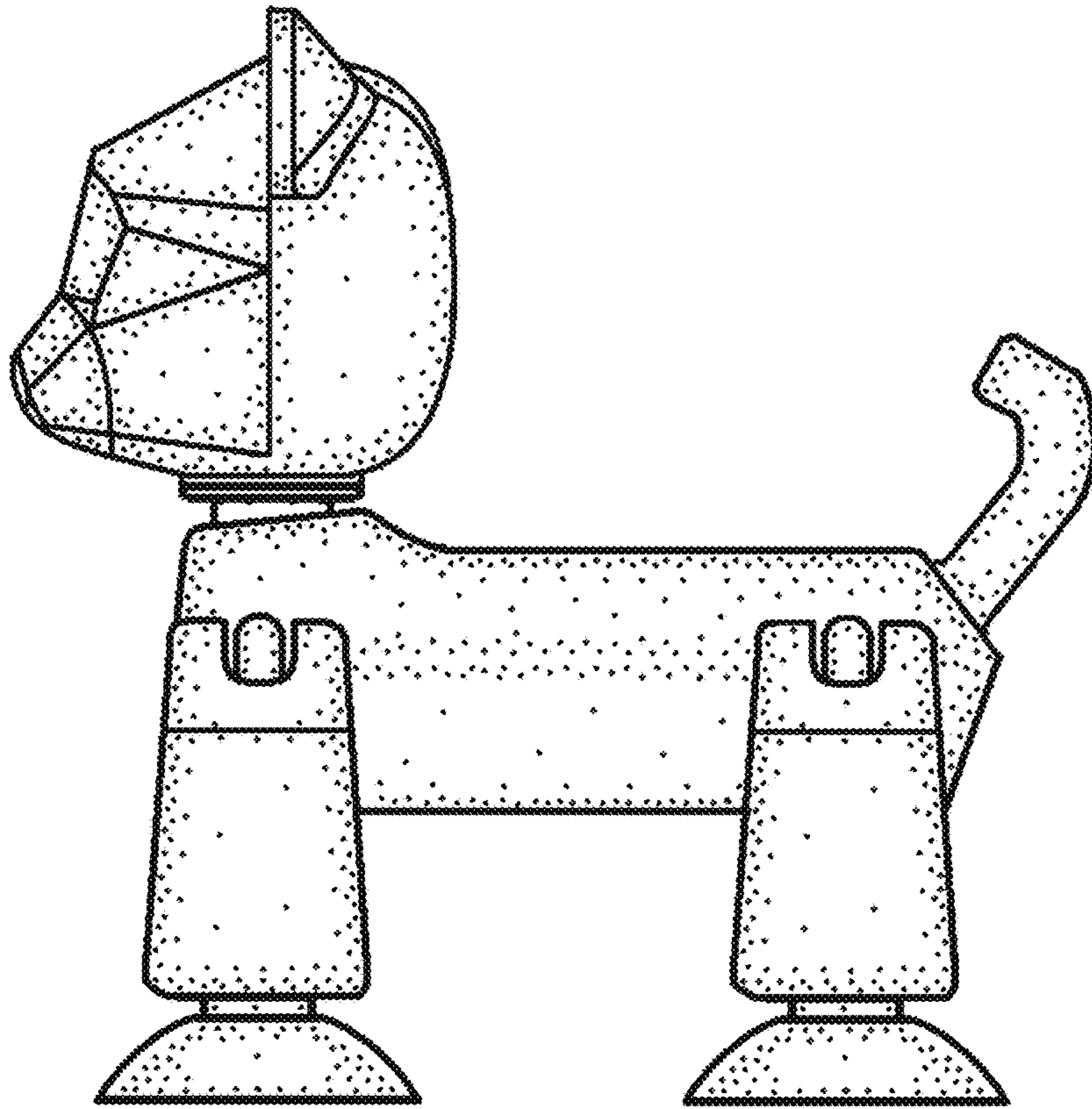


*FIG. 3*

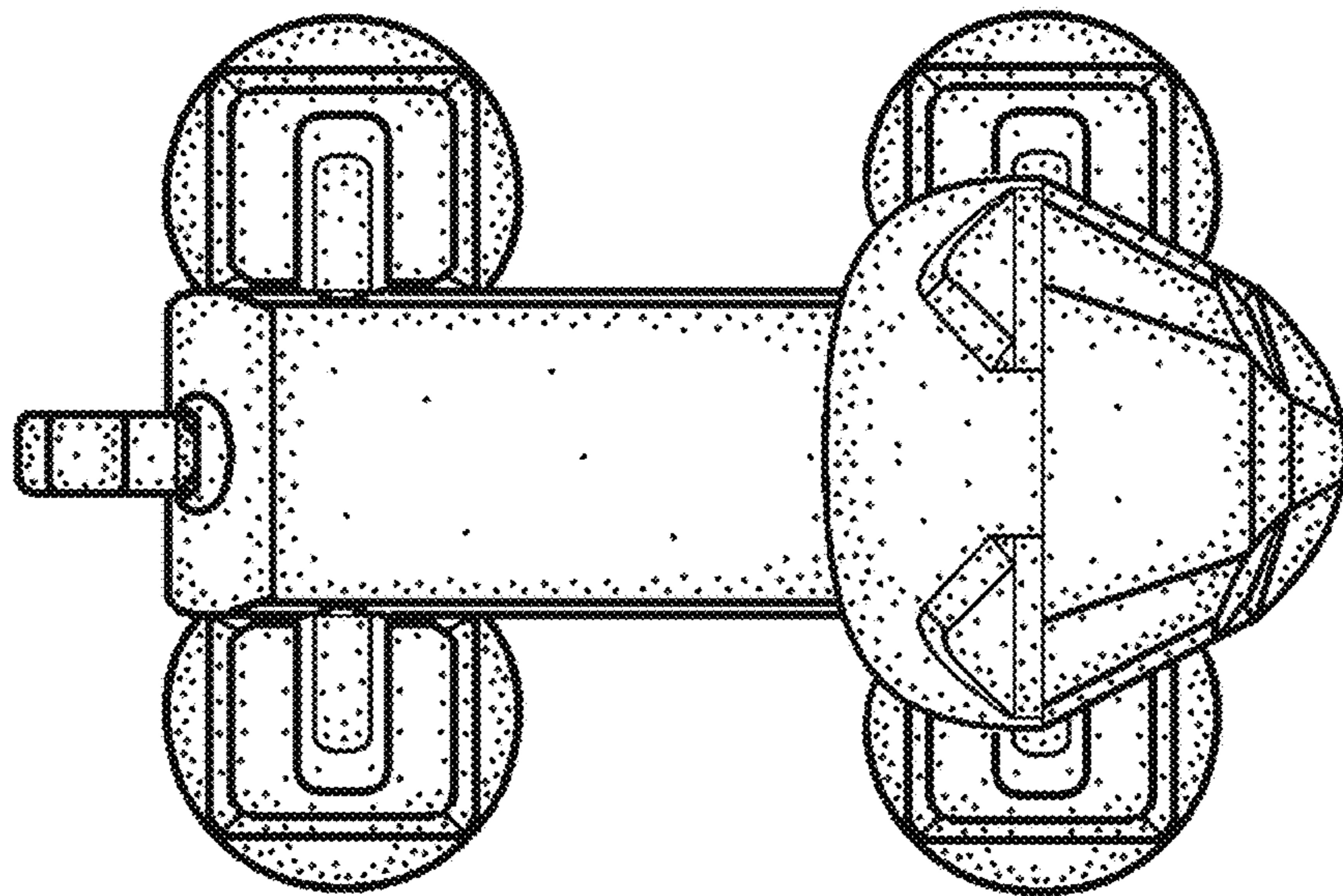




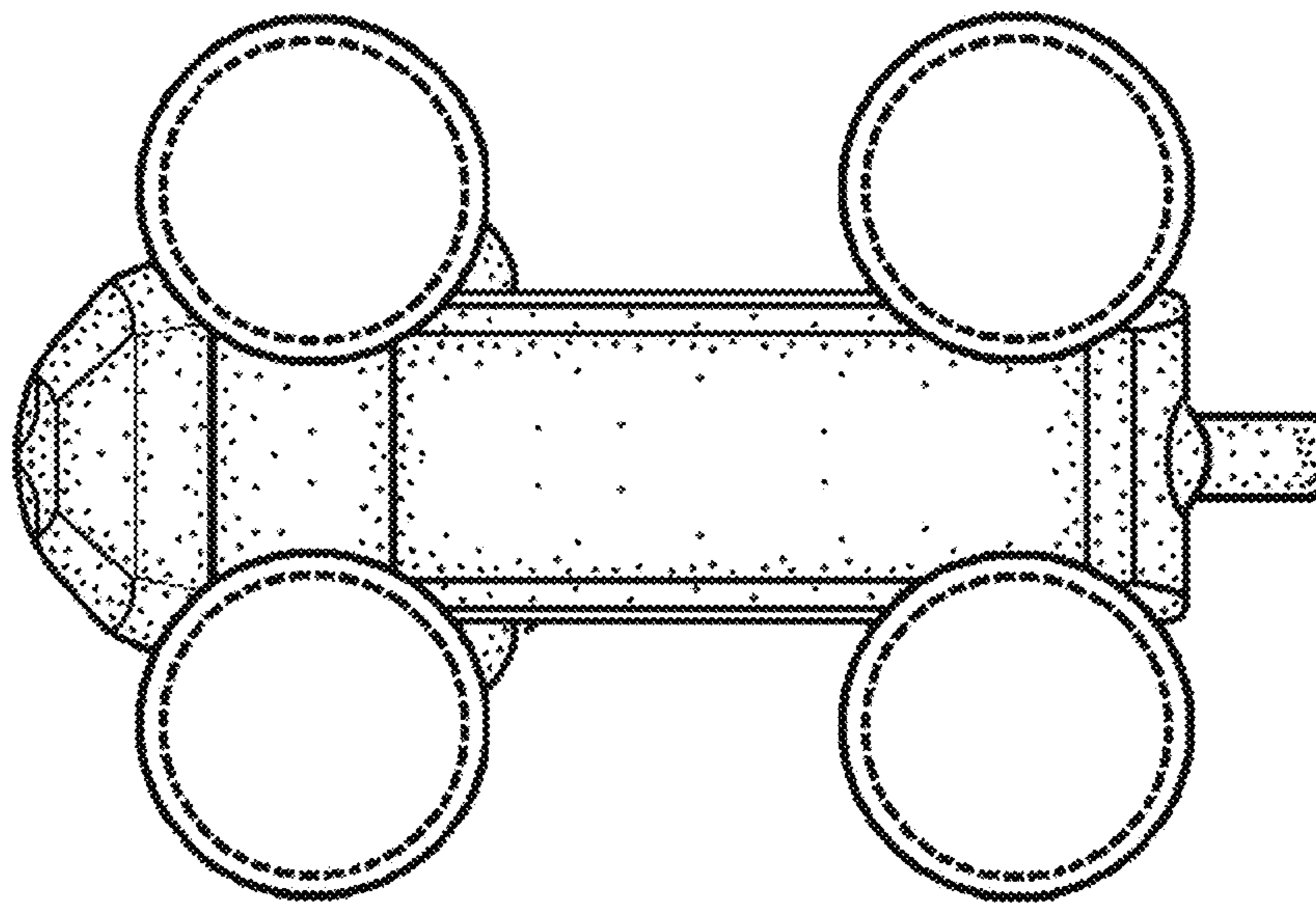
*FIG. 4*



*FIG. 5*



*FIG. 6*



*FIG. 7*