



US00D848546S

(12) **United States Design Patent**
Cummings et al.

(10) **Patent No.:** **US D848,546 S**

(45) **Date of Patent:** **** May 14, 2019**

(54) **POSABLE TOY MONKEY**

(71) Applicant: **KMA Concepts Limited**, Tsim Sha Tsui, Kowloon (HK)

(72) Inventors: **Peter John Cummings**, Kowloon (HK); **Chun Kit Ng**, Kowloon (HK)

(73) Assignee: **KMA Concepts Limited**, North Point (HK)

(**) Term: **15 Years**

(21) Appl. No.: **29/621,398**

(22) Filed: **Oct. 6, 2017**

(51) **LOC (11) Cl.** **21-01**

(52) **U.S. Cl.**
USPC **D21/596; D21/578**

(58) **Field of Classification Search**
USPC D6/598; D11/158, 162; D21/576–596;
446/368–369, 376, 428, 487; 180/8.6;
D30/160

CPC ... A63H 3/00; A63H 3/02; A63H 3/04; A63H 3/16; A63H 3/28; A63H 33/00; A63H 7/06; A63H 11/00; A63H 11/10; A63H 11/20; A63H 13/00

See application file for complete search history.

(56) **References Cited**

U.S. PATENT DOCUMENTS

D49,490 S * 8/1916 Meinecke D21/596
D90,571 S * 8/1933 Breeding D21/596

D185,415 S * 6/1959 Doe et al. D21/596
D315,000 S * 2/1991 Stephensen D21/596
D317,797 S * 6/1991 Pedersen D21/596
D760,851 S * 7/2016 Cummings D21/578
D778,372 S * 2/2017 Cummings D21/578

* cited by examiner

Primary Examiner — Sandra L Morris

(74) *Attorney, Agent, or Firm* — LaMorte & Associates P.C.

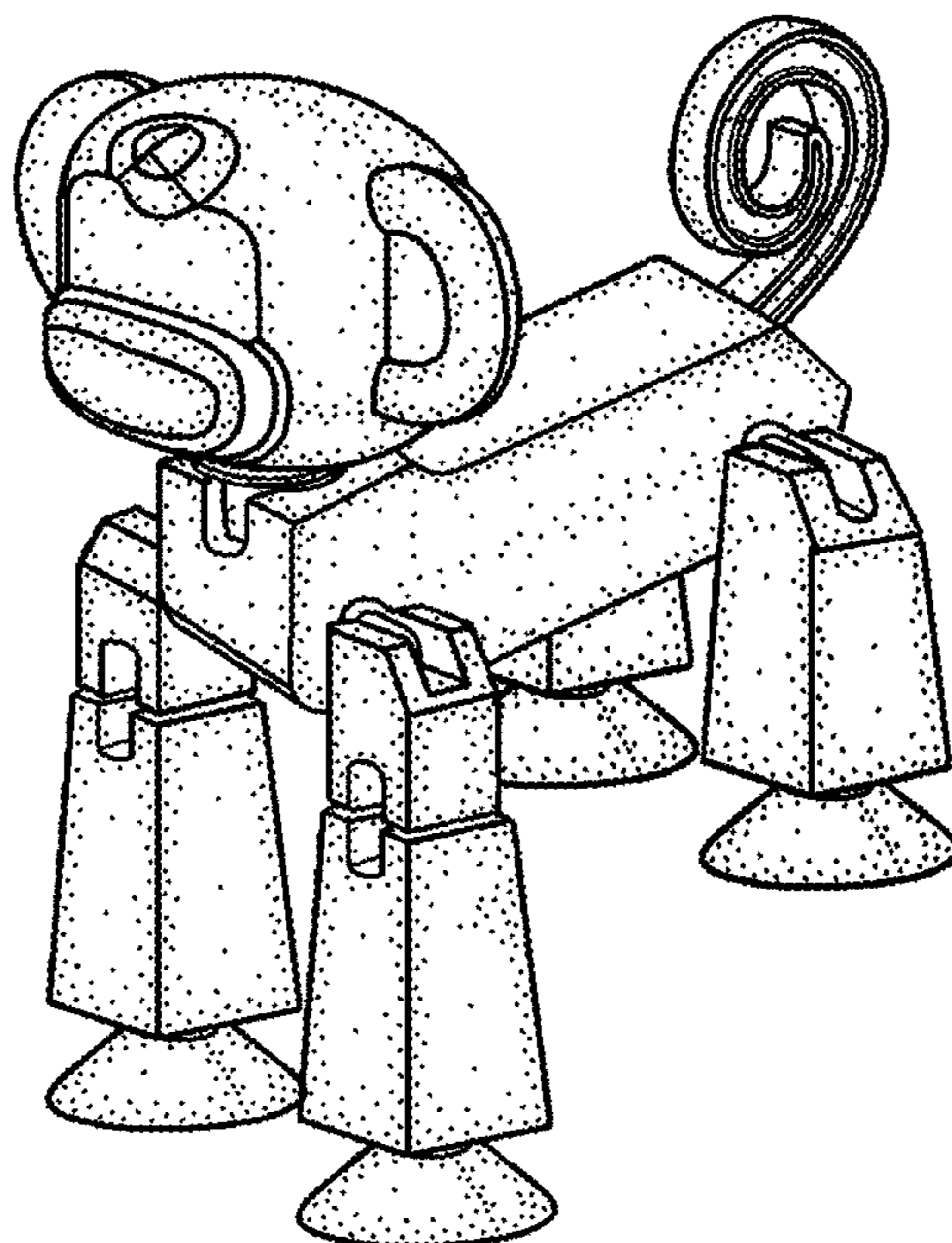
(57) **CLAIM**

The ornamental design for a posable toy monkey, as shown and described.

DESCRIPTION

FIG. 1 is a perspective view of a posable toy monkey; FIG. 2 is a front view thereof; FIG. 3 is a rear view thereof; FIG. 4 is a right side view thereof; FIG. 5 is a left side view thereof; FIG. 6 is a top view thereof; and, FIG. 7 is a bottom view thereof. The broken lines in FIG. 7 are included for the purpose of illustrating a portion of the bottom that forms no part of the claimed design.

1 Claim, 7 Drawing Sheets



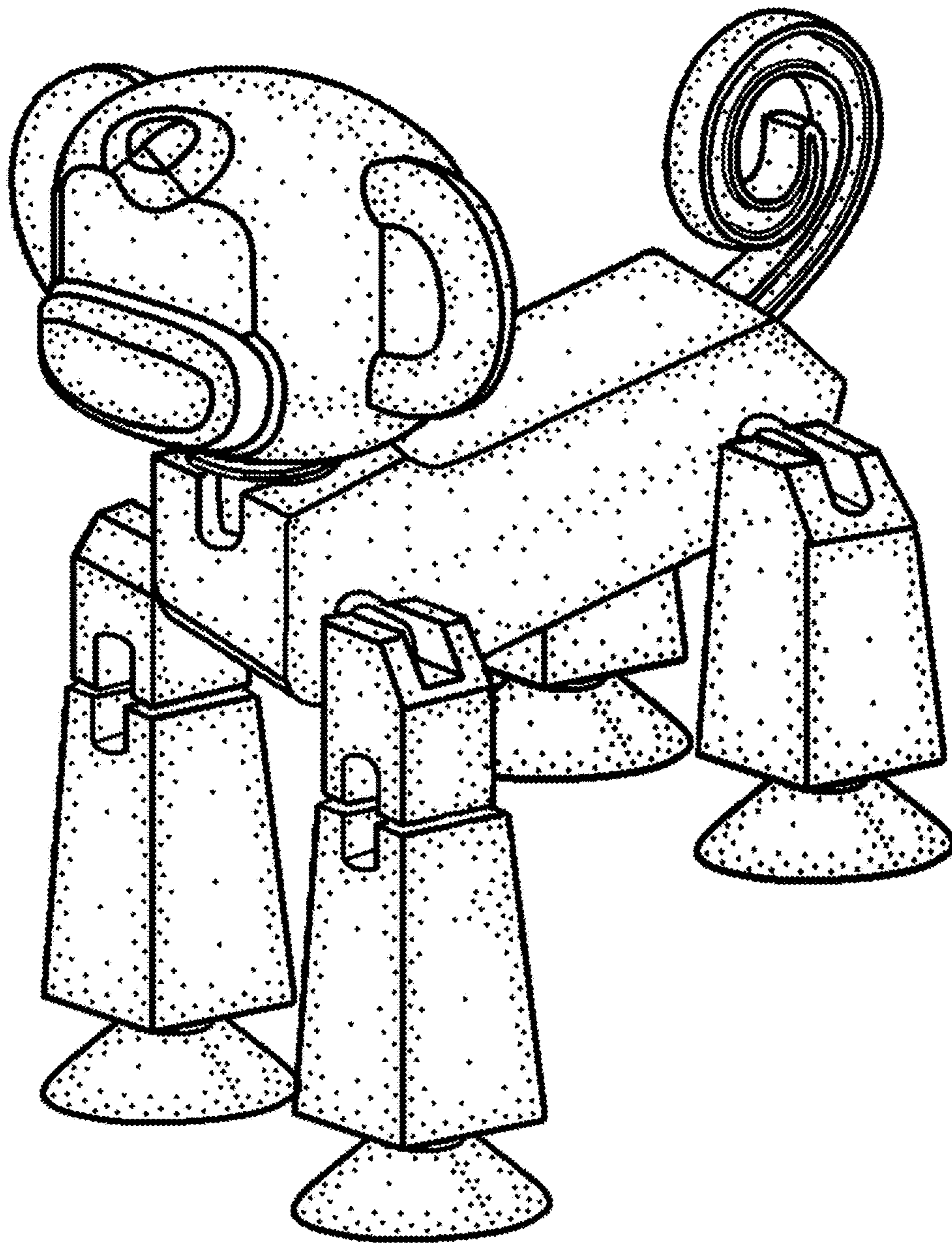


FIG. 1

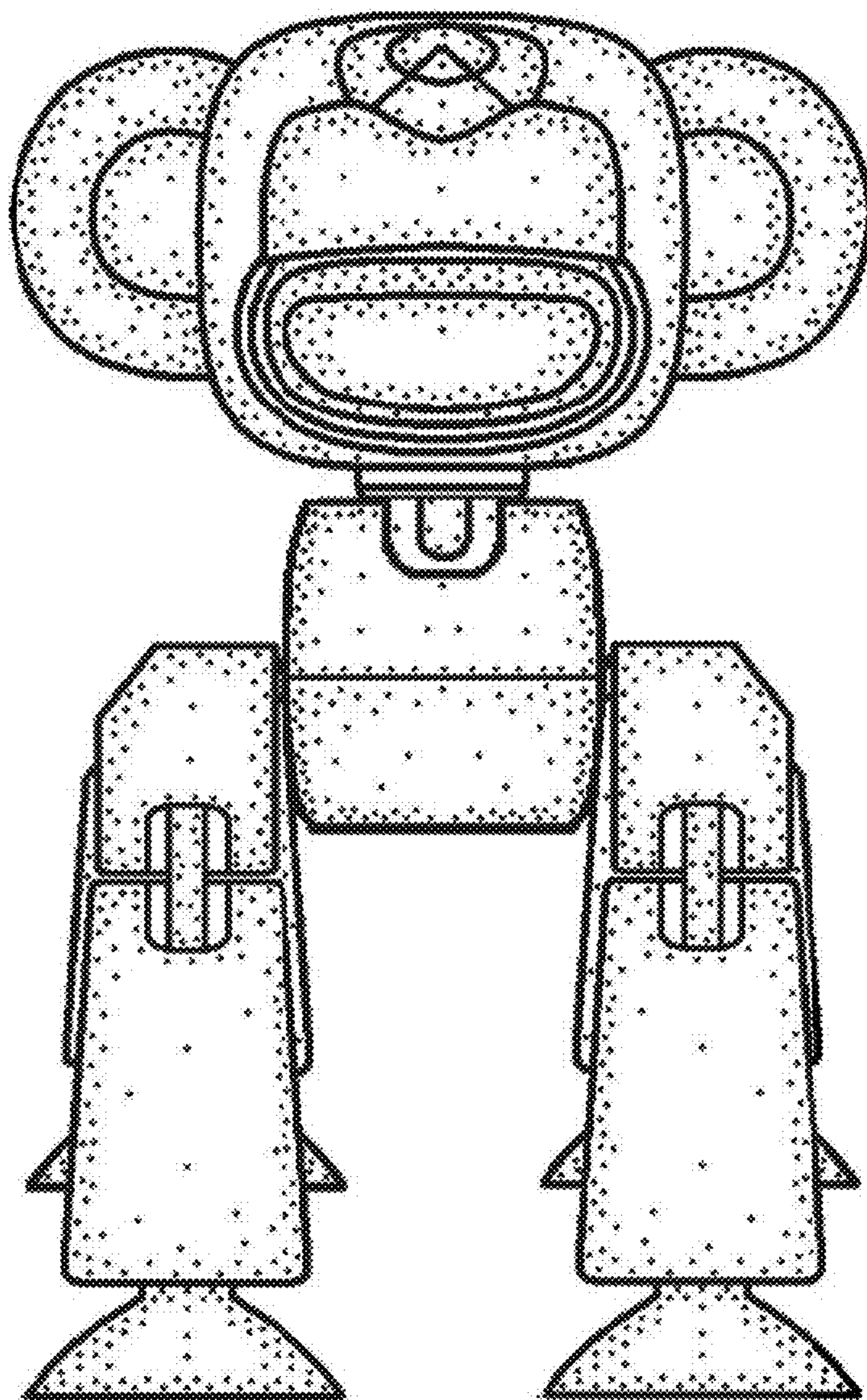


FIG. 2

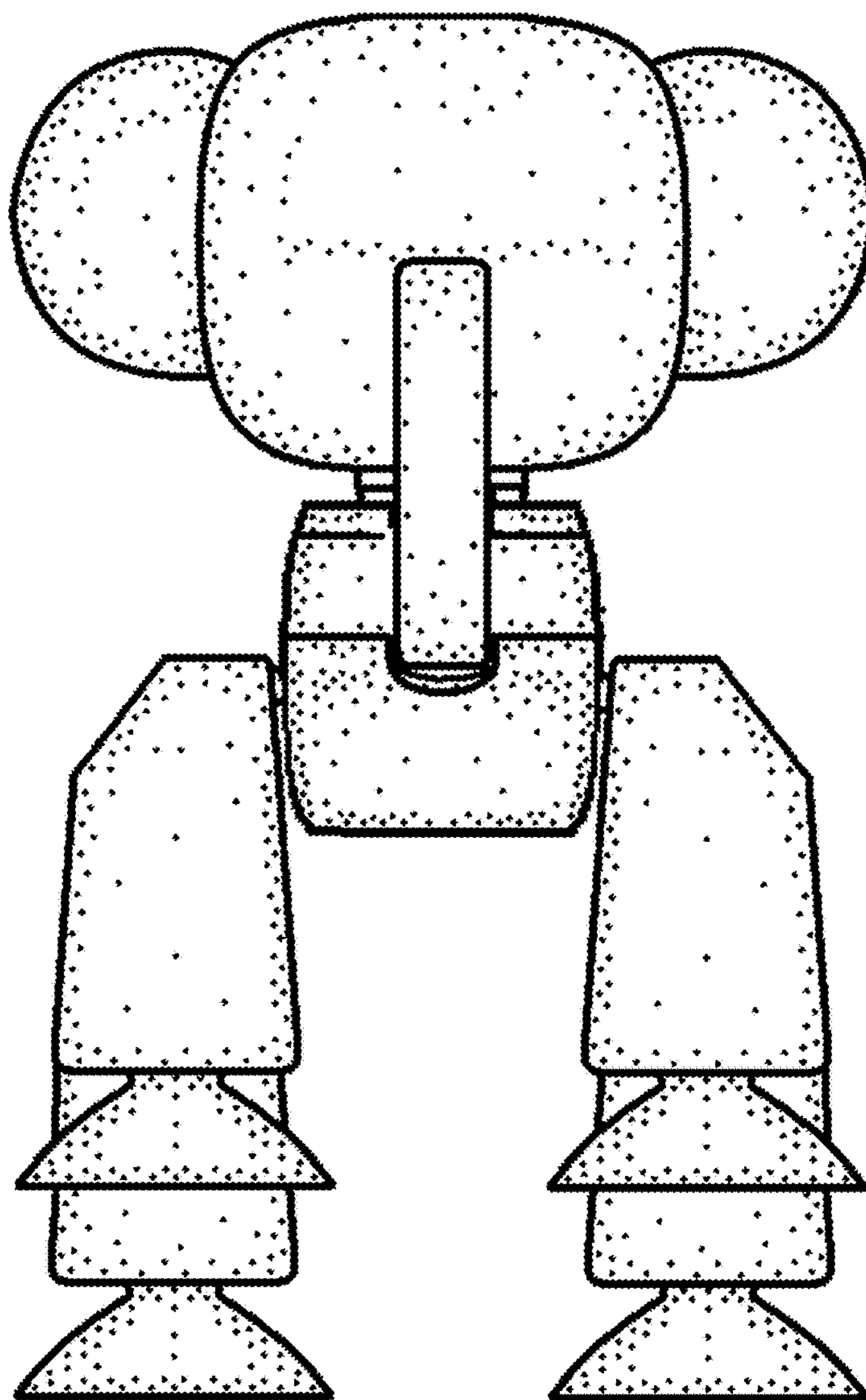


FIG. 3

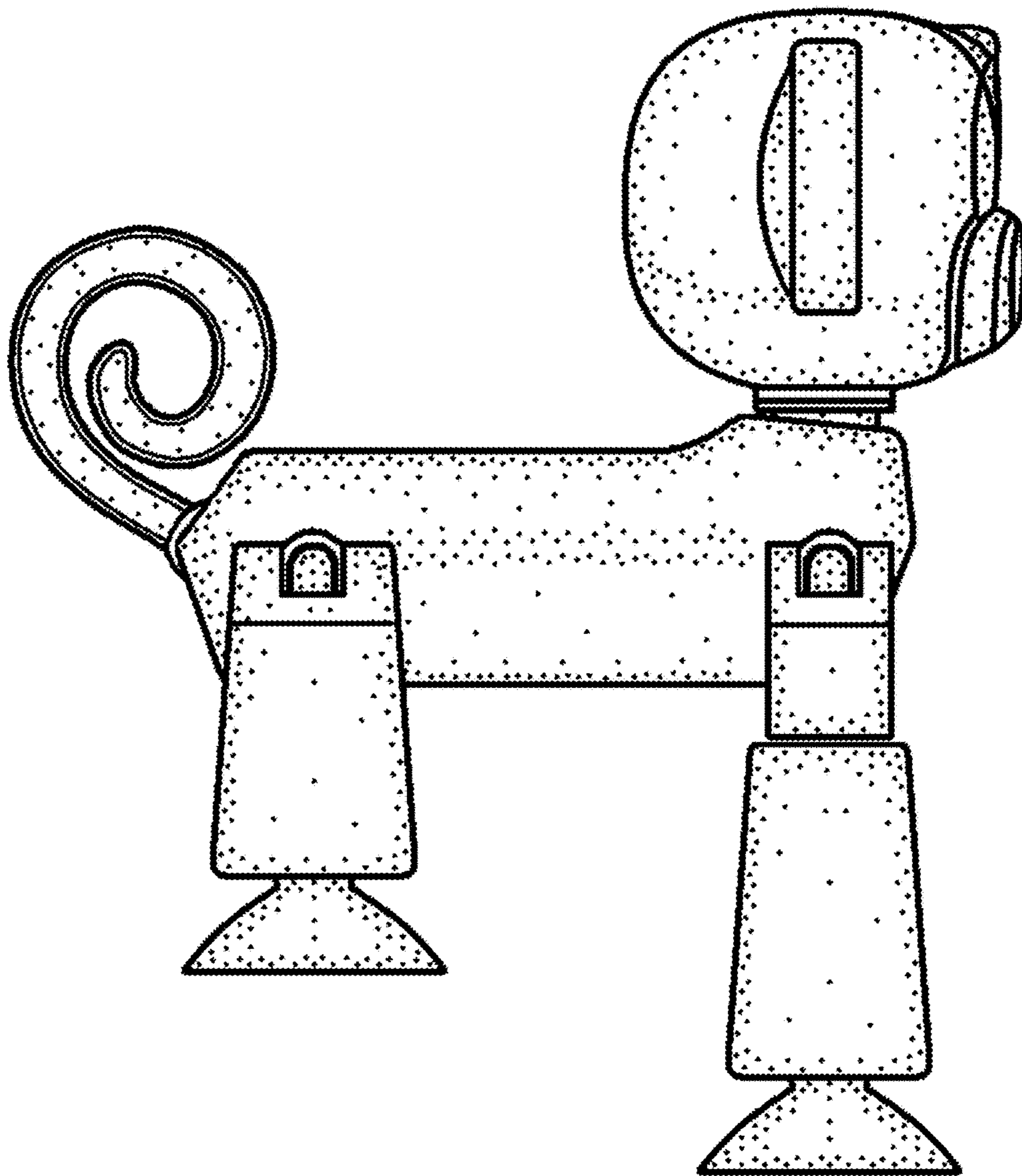


FIG. 4

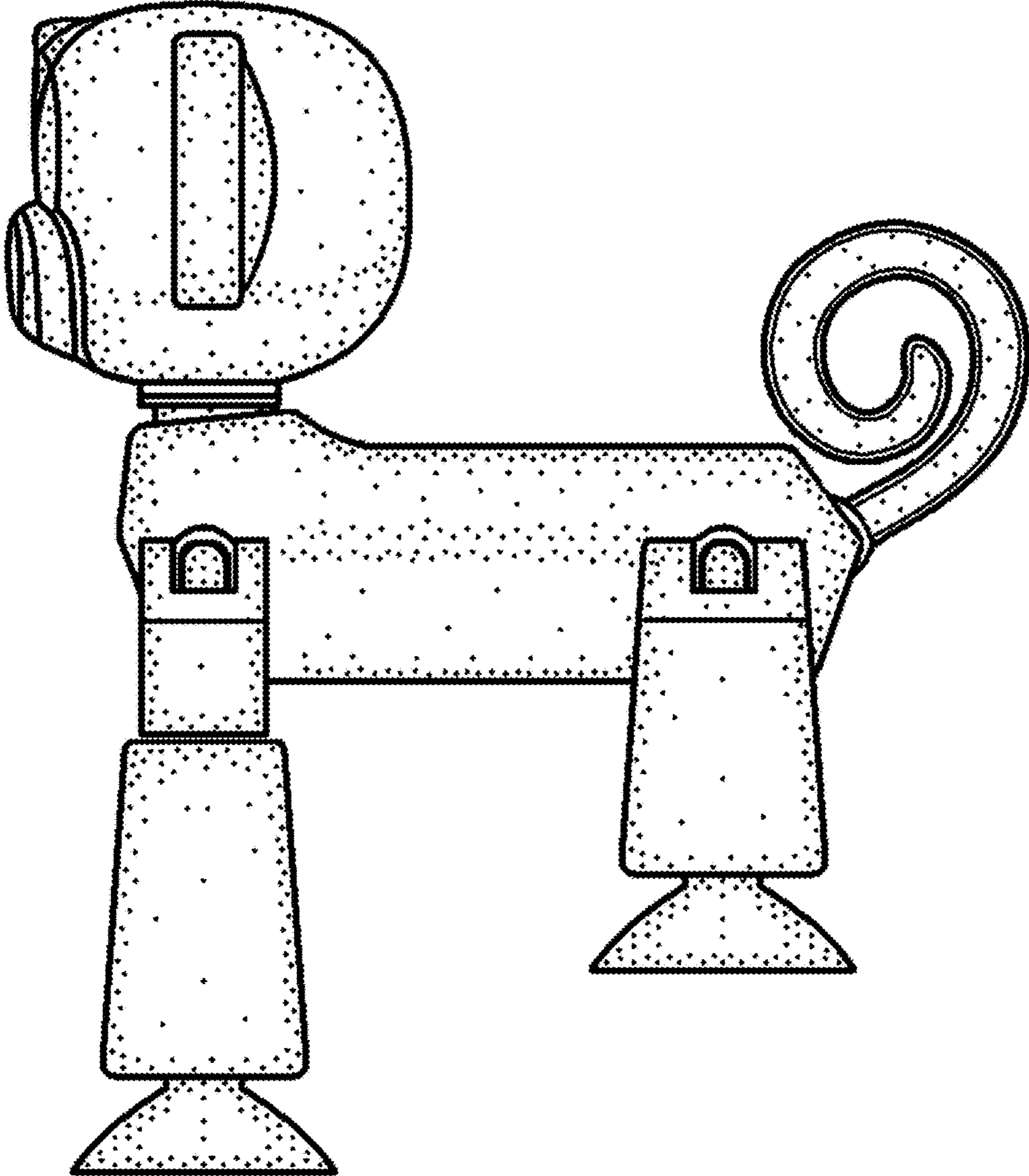


FIG. 5

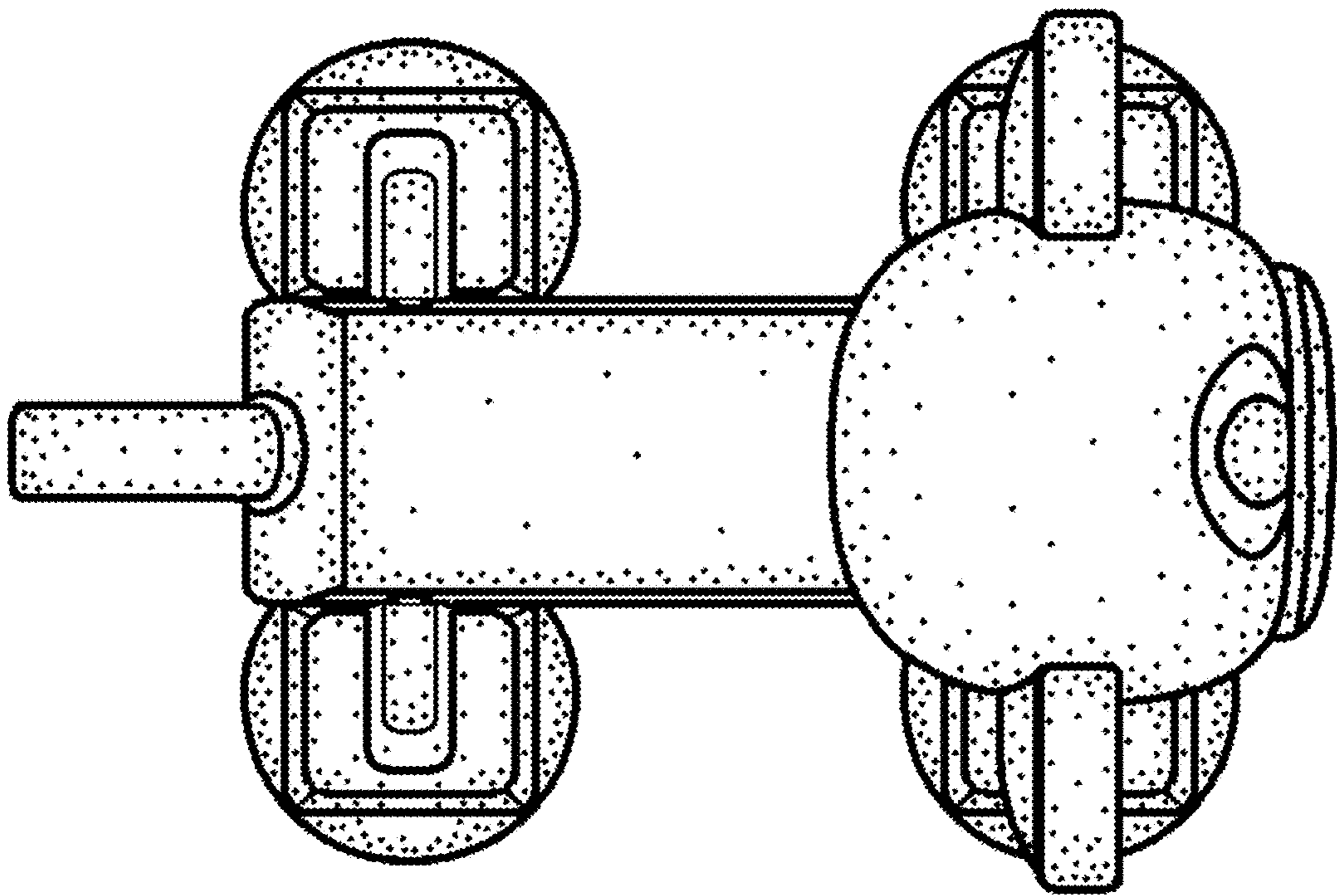


FIG. 6

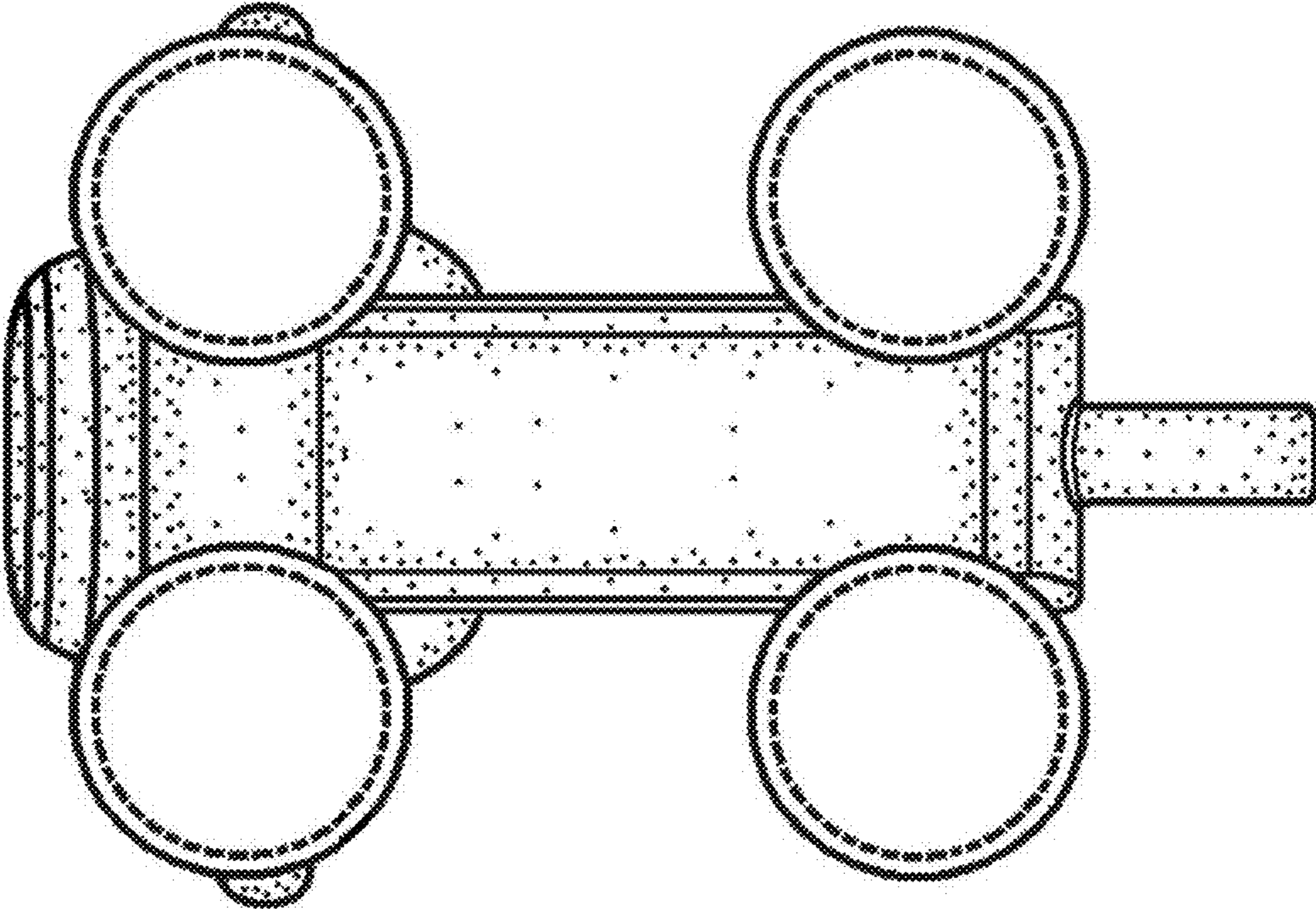


FIG. 7