



US00D848543S

(12) **United States Design Patent**
Beedle

(10) **Patent No.:** **US D848,543 S**

(45) **Date of Patent:** **** May 14, 2019**

(54) **TWO PIECE BODY CLIP SET (RIGHT AND LEFT) FOR A TOY CAR HAVING A REMOVABLE BODY**

(71) Applicant: **Gary Beedle**, Redmond, WA (US)

(72) Inventor: **Gary Beedle**, Redmond, WA (US)

(**) Term: **15 Years**

(21) Appl. No.: **29/549,977**

(22) Filed: **Dec. 29, 2015**

(51) **LOC (11) Cl.** **21-01**

(52) **U.S. Cl.**
USPC **D21/561**

(58) **Field of Classification Search**
USPC D21/398, 533, 548, 549, 550, 551, 552,
D21/557, 560, 561, 562, 580, 581;
446/154, 164, 231, 233, 236-242, 265,
446/266, 273, 437, 462, 465, 470
CPC A63H 17/00; A63H 17/002; A63H 17/004;
A63H 17/26; A63H 17/262; A63H
17/264; A63H 17/266; A63H 17/34;
A63H 17/36; A63H 17/38; A63H 29/00;
A63H 29/16; A63H 29/165; A63H 29/22;
A63H 29/24

See application file for complete search history.

(56) **References Cited**

U.S. PATENT DOCUMENTS

4,895,542	A *	1/1990	de Blانيتza	A63H 17/26 446/94
6,918,627	B2 *	7/2005	Mataja	B62K 9/00 296/177
7,244,163	B2 *	7/2007	Benassi	A63H 17/002 446/269
7,568,962	B2 *	8/2009	Amadio	A63H 17/002 446/470
7,717,767	B2 *	5/2010	Amadio	A63H 17/262 446/427

7,803,030	B2 *	9/2010	Nagaoka	A63H 17/26 446/117
2004/0063379	A1 *	4/2004	Hui	A63H 17/262 446/93
2005/0112987	A1 *	5/2005	Chan	A63H 17/262 446/93
2006/0205317	A1 *	9/2006	Benassi	A63H 17/002 446/95

* cited by examiner

Primary Examiner — Cynthia M. Chin

(57) **CLAIM**

The ornamental design for a two piece body clip set (right and left) for a toy car having a removable body, as shown and described.

DESCRIPTION

FIG. 1 is an isometric front view of the left side body clip of the set that can be inserted into a slot in a left hand side of a toy car chassis (such as an HO scale slot car offered by AFX™, Tomy™, or BSRT™);

FIG. 2 is an isometric rear view of the right side body clip of the set that can be inserted into a slot in a right hand side of a removable toy car body (such as an HO scale slot car body from AFX™, Tomy™, Johnny Lightning™, or Auto World™);

FIG. 3 is another isometric rear view of the right side body clip of the set;

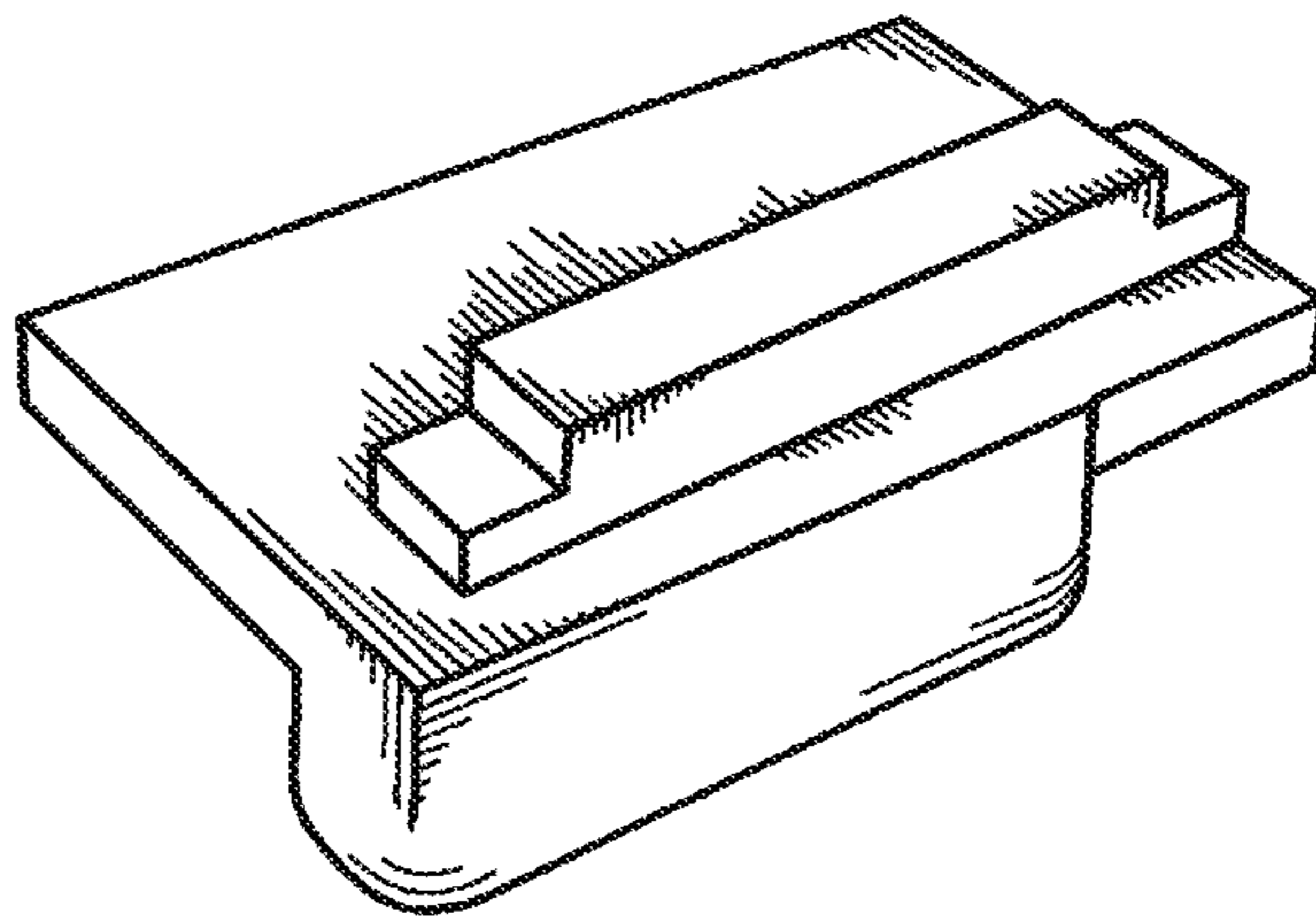
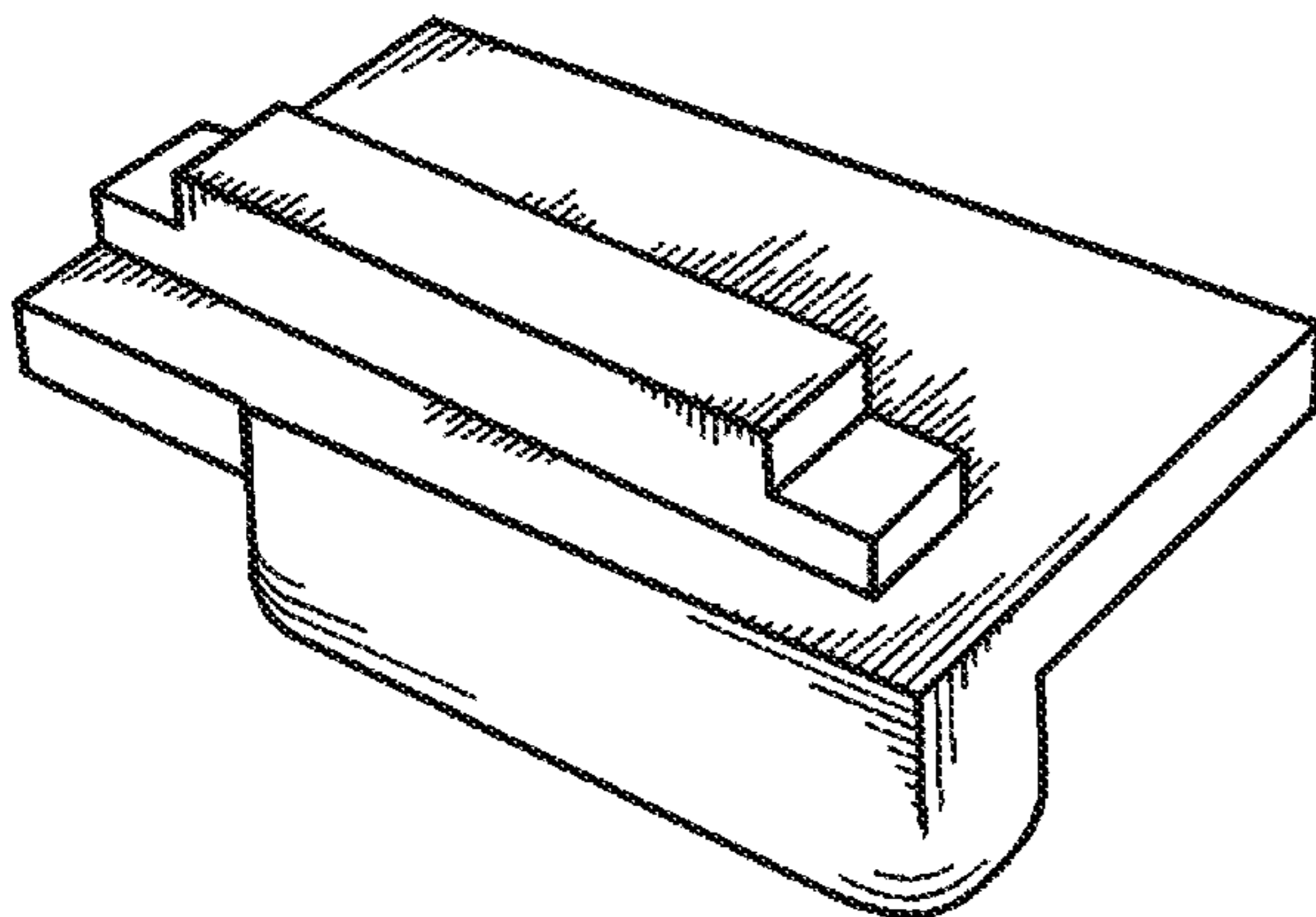
FIG. 4 is an isometric rear view of the left side body clip of the set;

FIG. 5 is an isometric front view of the right side body clip of the set; and,

FIG. 6 is another isometric front view of the left side body clip of the set.

The toy car chassis and toy car body shown in broken lines in FIGS. 1 and 2 represent exemplary environment elements in which the article resides and forms no part of the claimed design.

1 Claim, 3 Drawing Sheets



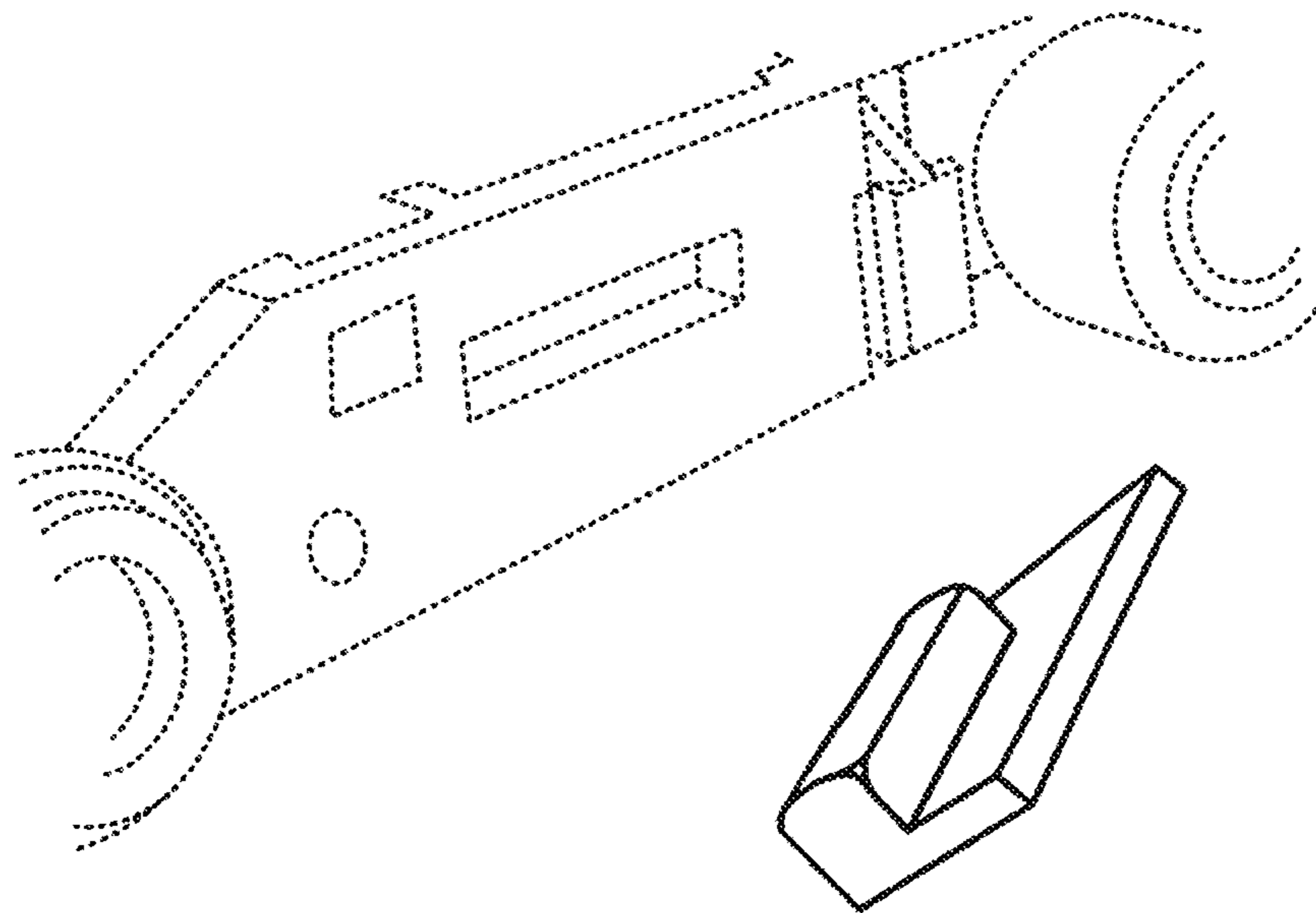


FIG. 1

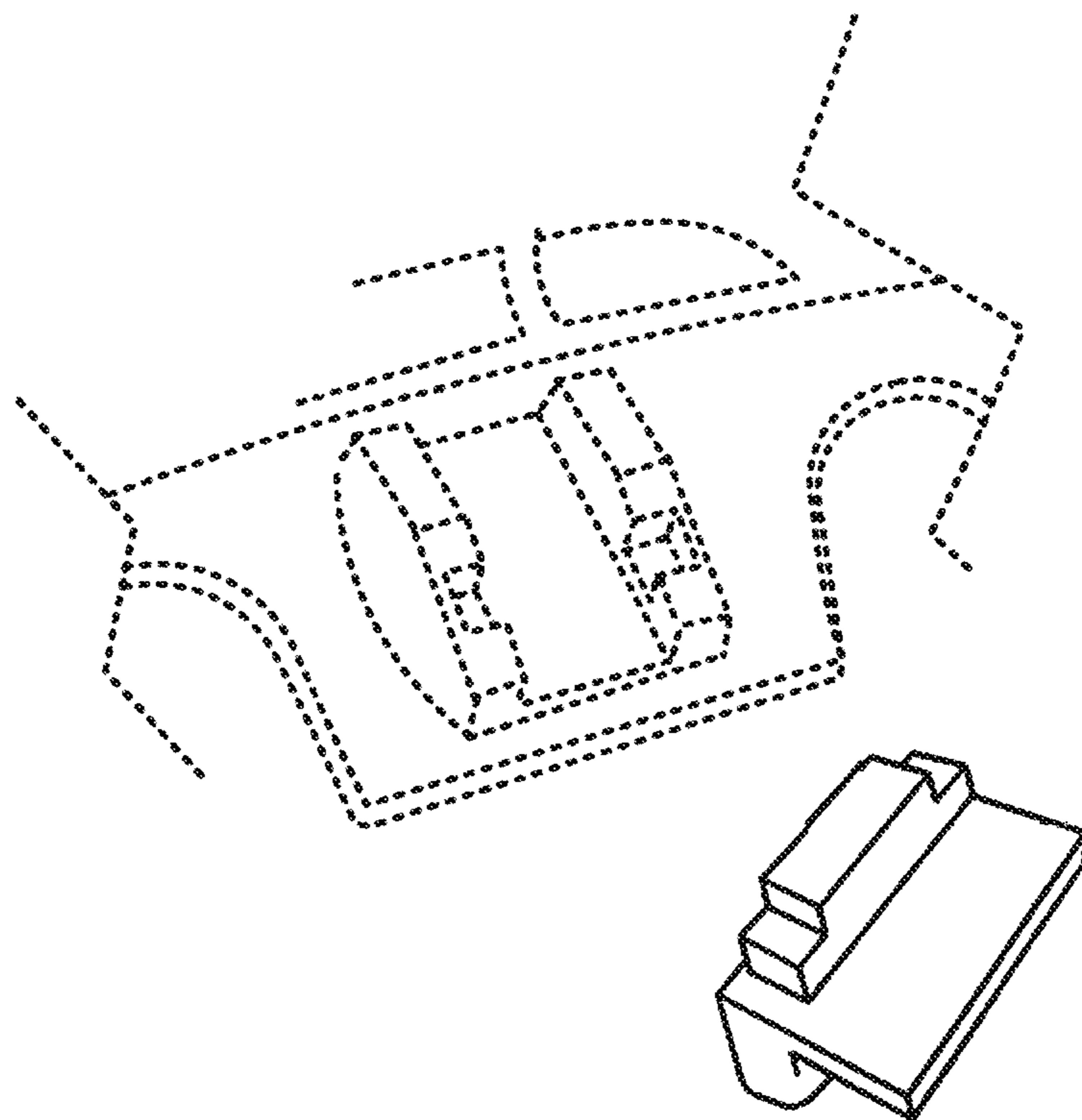


FIG. 2

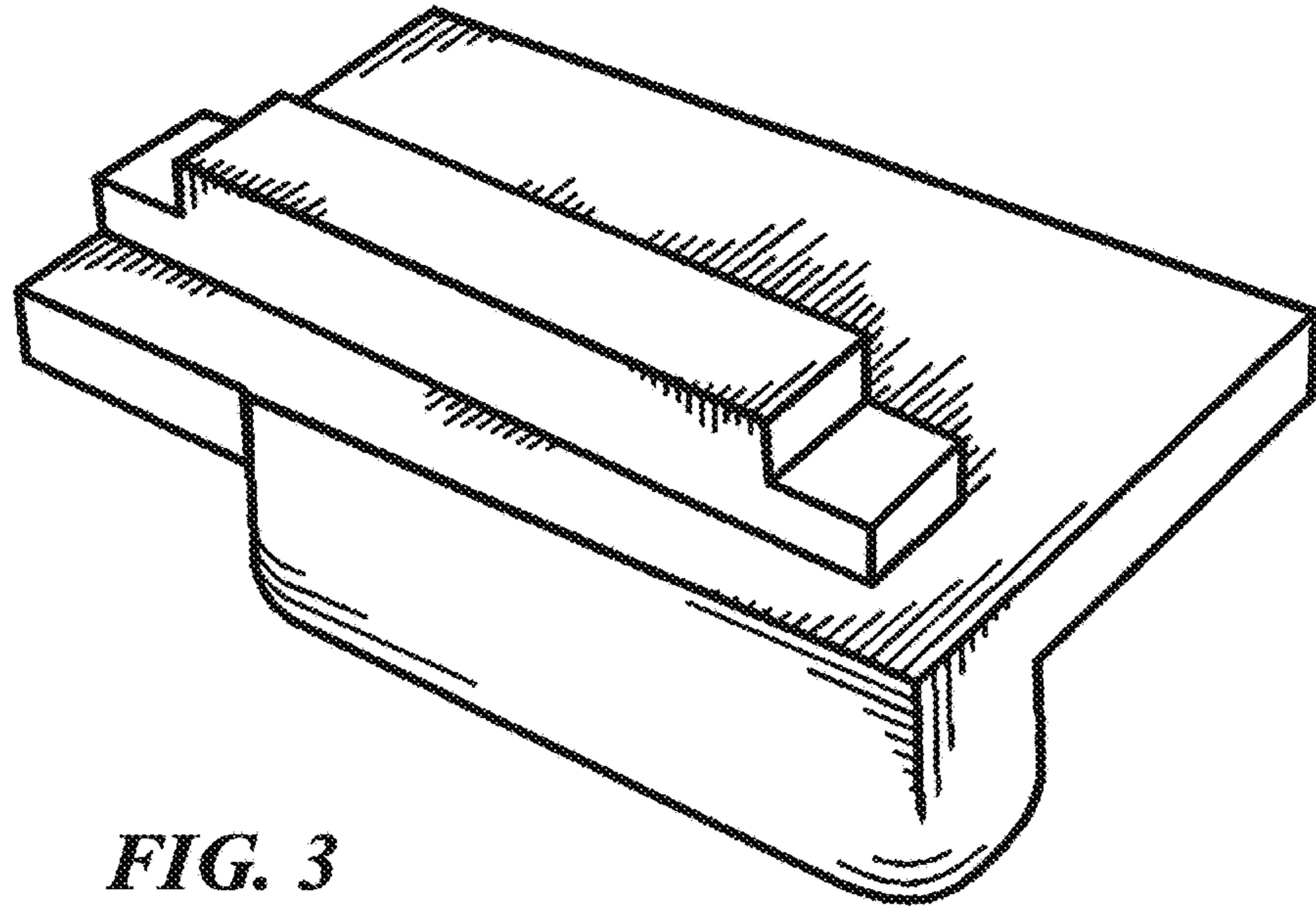


FIG. 3

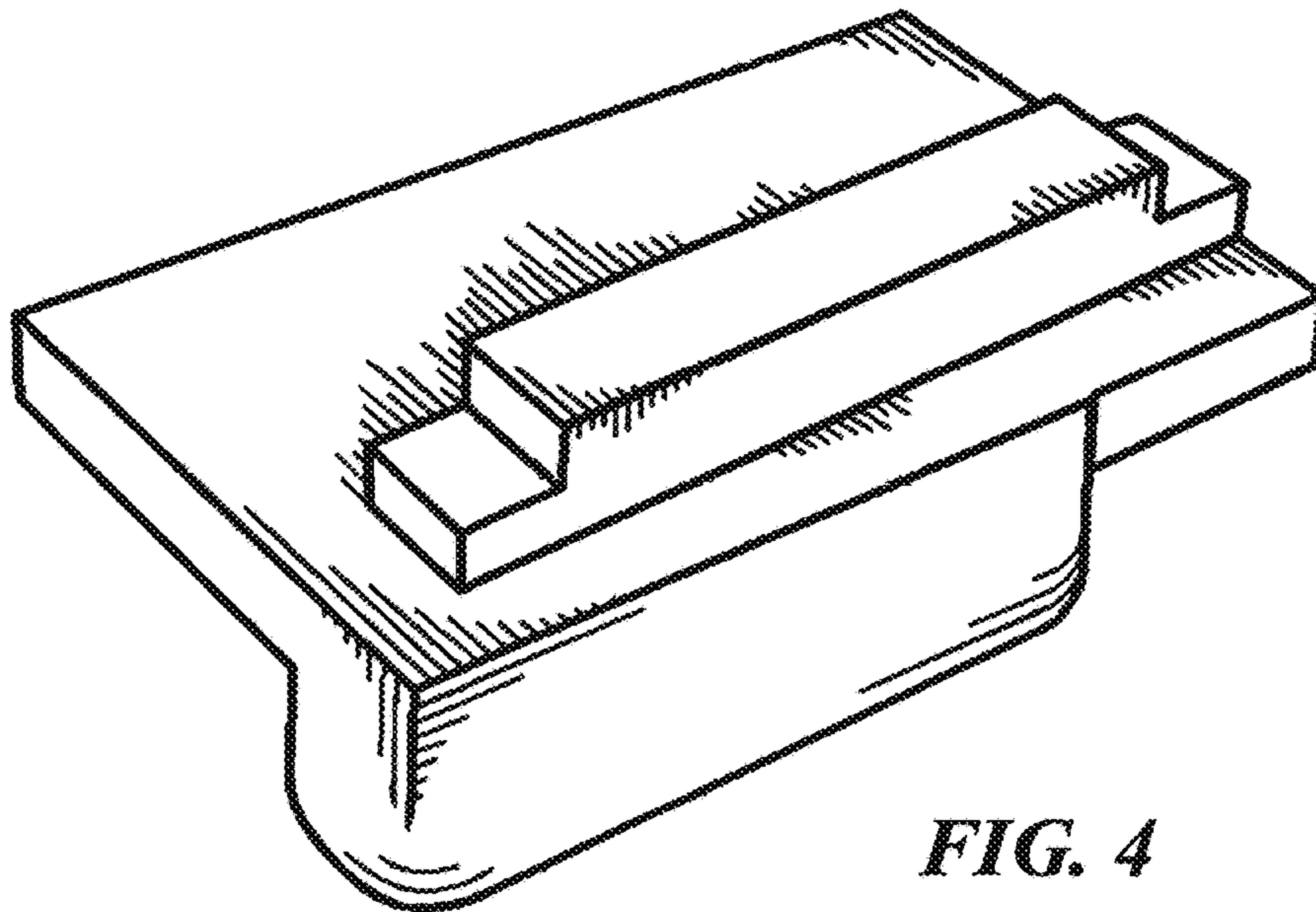


FIG. 4

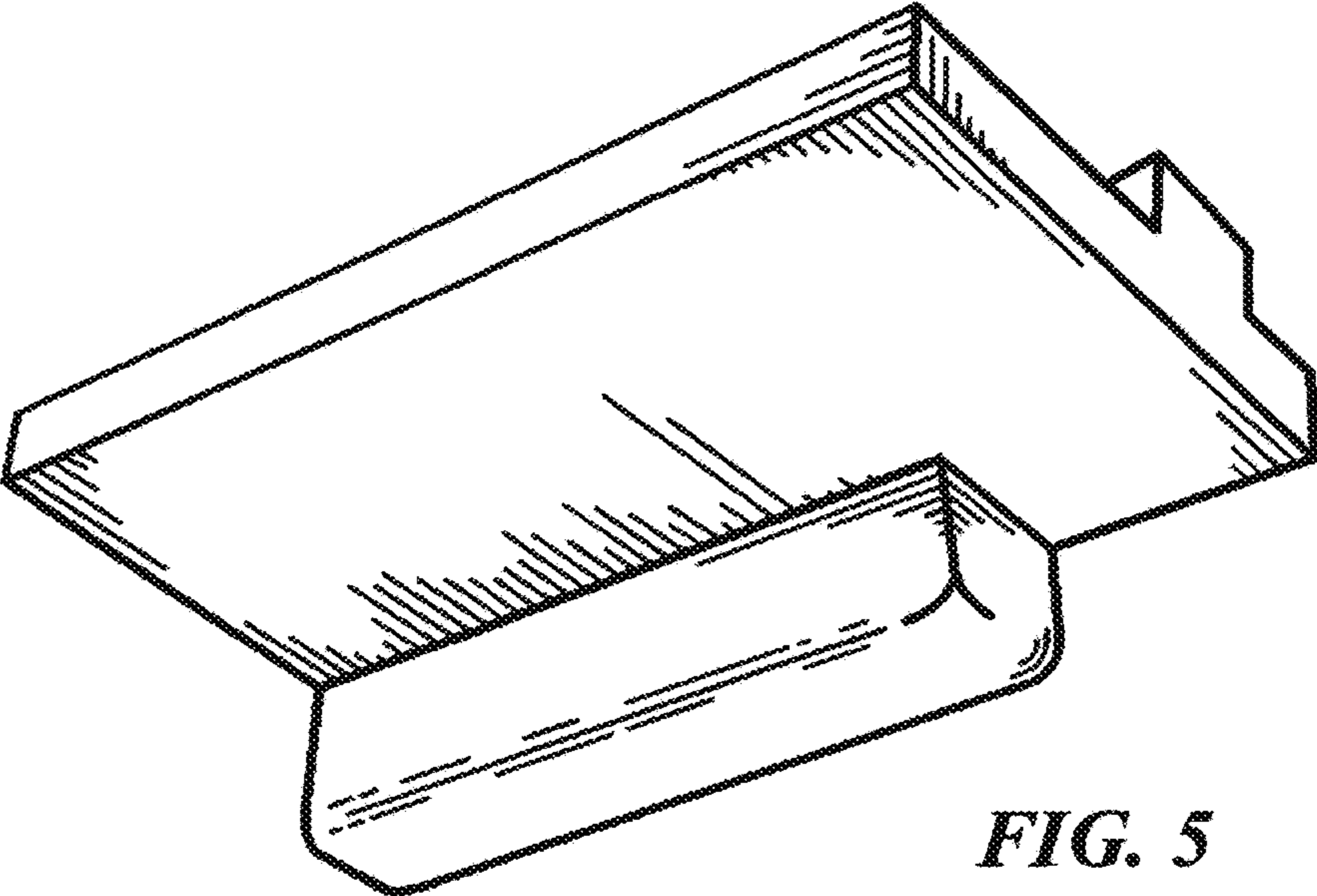


FIG. 5

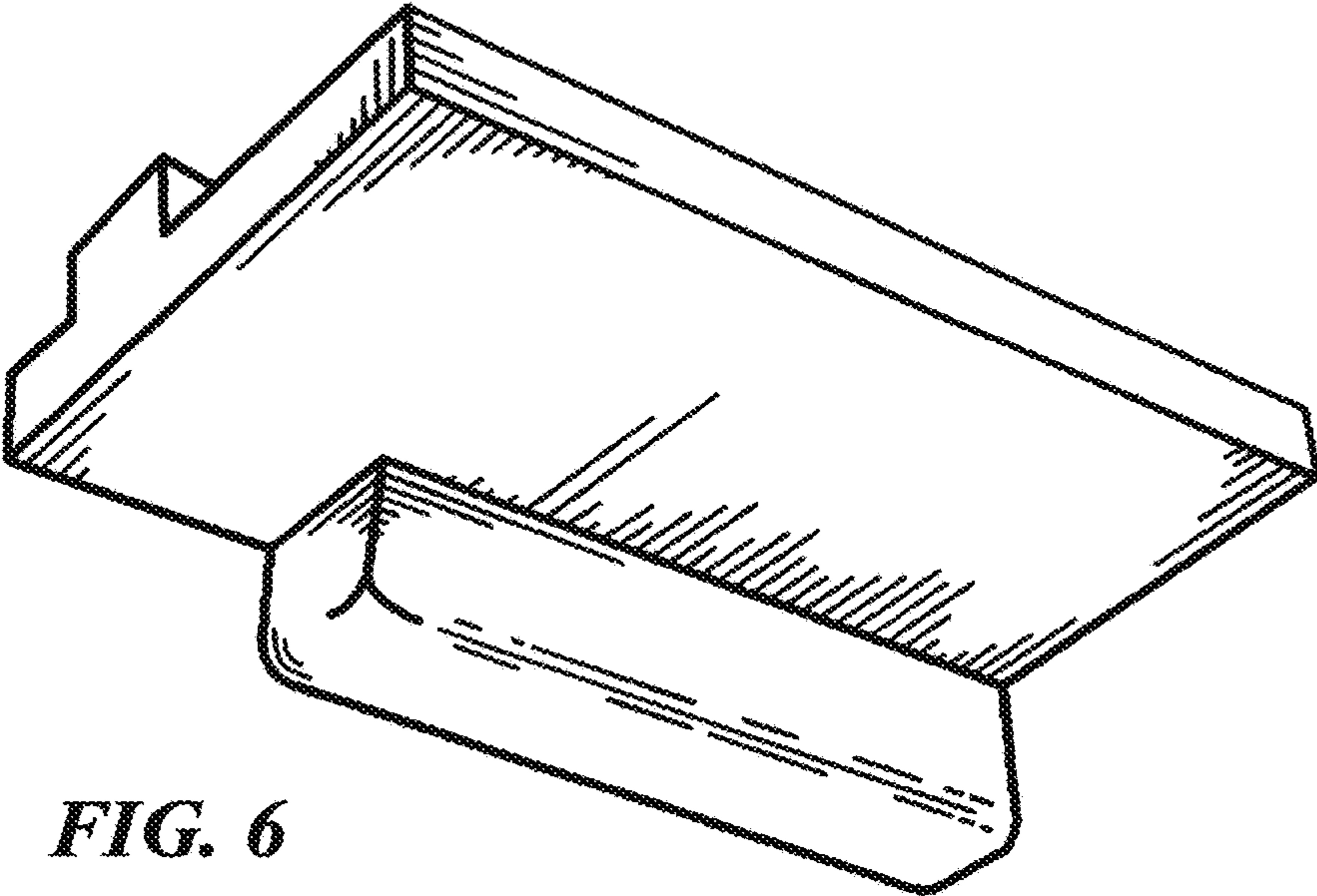


FIG. 6