



US00D848542S

(12) **United States Design Patent** (10) **Patent No.:** **US D848,542 S**
Pestel (45) **Date of Patent:** **** May 14, 2019**

- (54) **CONSTRUCTION SET ELEMENT**
- (71) Applicant: **MEGA Brands Inc.**, Montreal (CA)
- (72) Inventor: **Kevin Pestel**, Montreal (CA)
- (73) Assignee: **MEGA Brands Inc.**, Montreal, Quebec (CA)
- (**) Term: **15 Years**
- (21) Appl. No.: **29/570,782**
- (22) Filed: **Jul. 12, 2016**
- (51) **LOC (11) Cl.** **21-01**
- (52) **U.S. Cl.**
USPC **D21/503**
- (58) **Field of Classification Search**
USPC D21/386, 389, 404, 468, 470, 471,
D21/484-505; 446/69, 85, 102-128;
434/208, 259, 403; 273/153, 156, 160;
D25/113-116, 118
CPC A63H 33/00; A63H 33/04; A63H 33/06;
A63H 33/08; A63H 33/084; A63H
33/086; A63H 33/088; A63H 33/10;
A63H 33/105; A63H 33/108; A63H 33/52
See application file for complete search history.

- D332,471 S 1/1993 Rahbek
- D332,472 S 1/1993 Rahbek
- D332,644 S 1/1993 Rahbek
- D337,355 S 7/1993 Voldmester
- (Continued)

OTHER PUBLICATIONS

Lego Duplo Brick 2x4x2 with Rounded Ends (6448), block available 1987-2016, [site visited Sep. 27, 2018] Available from Internet: <URL:https://www.brickowl.com/catalog/lego-duplo-brick-2-x-4-x-2-with-rounded-ends-6448>.*

(Continued)

Primary Examiner — Cynthia M. Chin
(74) *Attorney, Agent, or Firm* — Plumsea Law Group, LLC

(57) **CLAIM**

The ornamental design for a construction set element, as shown and described.

DESCRIPTION

FIG. 1 is a top isometric perspective view of a construction set element showing the new design; FIG. 2 is a front elevational view of the construction set element of FIG. 1; FIG. 3 is a rear elevational view of the construction set element of FIG. 1; FIG. 4 is a left side elevational view of the construction set element of FIG. 1; FIG. 5 is a right side elevational view of the construction set element of FIG. 1; FIG. 6 is a top plan view of the construction set element of FIG. 1; and, FIG. 7 is a bottom plan view of the construction set element of FIG. 1.

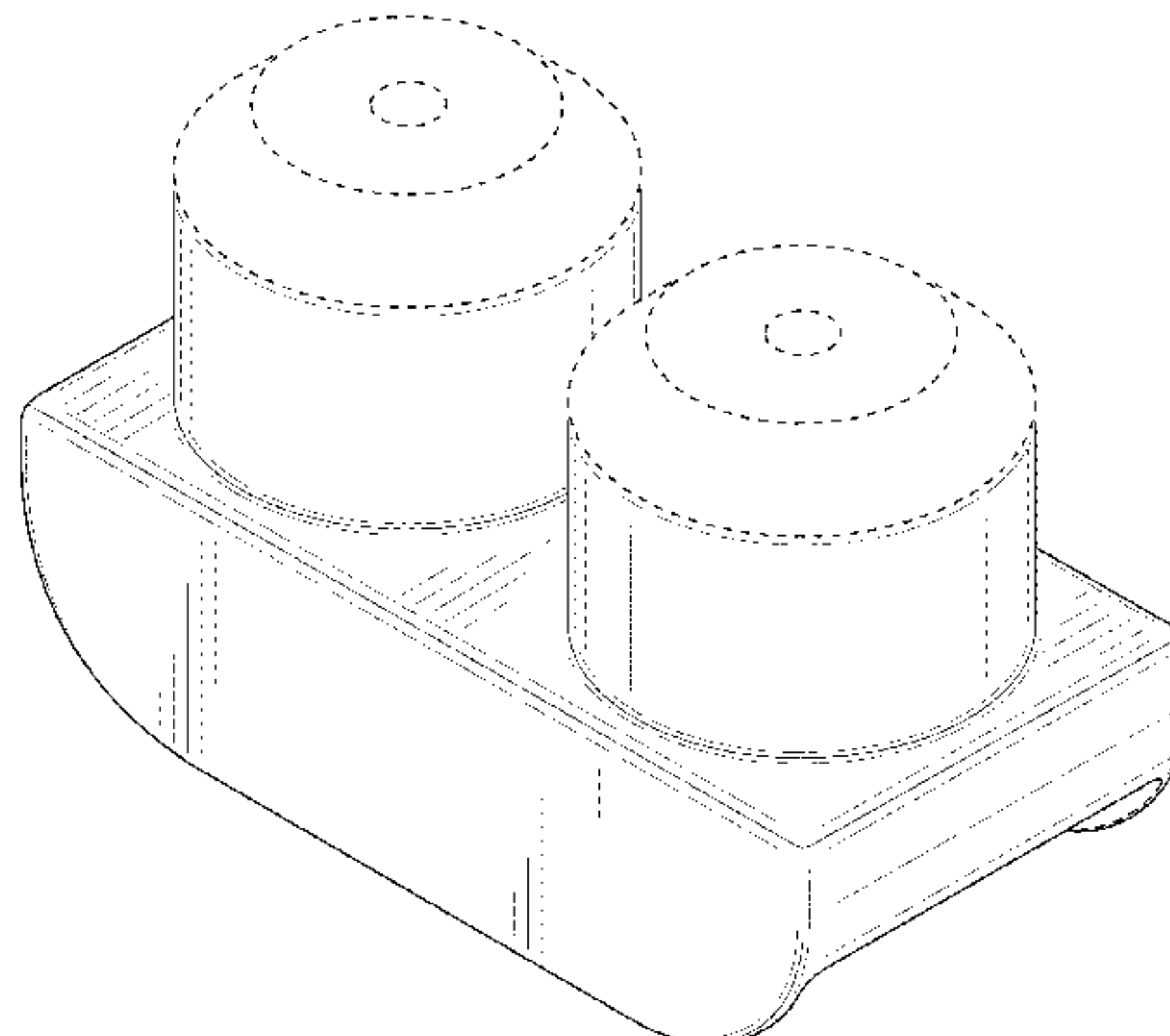
The evenly spaced broken lines and unshaded areas represent portions of the article's appearance that form no part of the claimed design.

1 Claim, 7 Drawing Sheets

(56) **References Cited**

U.S. PATENT DOCUMENTS

- D204,286 S 4/1966 Stockton
- D304,042 S 10/1989 Poulsen
- D308,233 S 5/1990 Fish, Jr.
- D308,234 S 5/1990 Fish, Jr.
- D311,938 S 11/1990 Andersen
- D312,099 S 11/1990 Andersen
- D313,438 S * 1/1991 Andersen D21/503
- D314,405 S 2/1991 Pedersen et al.
- D315,376 S 3/1991 Meyer
- D317,482 S 6/1991 Michaelsen et al.
- D317,635 S 6/1991 Eggert et al.
- D319,267 S 8/1991 Hoyer et al.
- D329,068 S 9/1992 Rasmussen
- D330,056 S 10/1992 Pagel



(56)

References Cited

U.S. PATENT DOCUMENTS

D337,356 S 7/1993 Voldmester
 D350,789 S 9/1994 Ryaa et al.
 D350,790 S * 9/1994 Ryaa D21/503
 D351,005 S 9/1994 Hojlund et al.
 D353,629 S 12/1994 Skov
 D354,529 S 1/1995 Skov
 D360,909 S 8/1995 Frederiksen
 D360,910 S 8/1995 Frederiksen
 D361,100 S 8/1995 Skov et al.
 D362,474 S 9/1995 Voldmester et al.
 D362,694 S * 9/1995 Sorensen D21/503
 D363,095 S 10/1995 Voldmester
 5,556,181 A 9/1996 Bertrand
 D384,989 S 10/1997 Andersen
 5,674,103 A 10/1997 Bean
 D411,262 S 6/1999 Toft
 6,132,281 A 10/2000 Klitsner et al.
 6,200,187 B1 3/2001 Olsen et al.
 D455,463 S 4/2002 Martin et al.
 D456,048 S 4/2002 Sorensen
 D464,381 S 10/2002 Sorensen
 D512,748 S 12/2005 Hageman
 D537,484 S 2/2007 Ganderton
 D546,902 S 7/2007 Ganderton
 D550,784 S 9/2007 Glickman et al.
 D552,190 S 10/2007 Glickman et al.
 D562,412 S 2/2008 Tremblay et al.
 D587,765 S 3/2009 Dawes
 7,658,662 B2 2/2010 Tremblay et al.
 D614,707 S 4/2010 Ryaa
 D641,054 S 7/2011 Clausen
 D647,698 S 11/2011 Cally
 D647,699 S 11/2011 Cally
 D660,597 S 5/2012 Leblanc
 D667,508 S 9/2012 Frederiksen
 D676,653 S 2/2013 Leblanc
 D680,176 S 4/2013 Chin
 D681,330 S 5/2013 Leblanc
 D684,364 S 6/2013 Leblanc
 D684,365 S 6/2013 Leblanc
 D684,770 S 6/2013 Leblanc

D684,771 S 6/2013 Leblanc
 D687,224 S 8/2013 Lacroix
 D689,954 S 9/2013 Rya
 D689,957 S 9/2013 Jensen
 8,528,489 B2 9/2013 Roy et al.
 D699,439 S 2/2014 Leblanc
 D699,440 S 2/2014 Leblanc
 D699,441 S 2/2014 Leblanc
 D699,442 S 2/2014 Leblanc
 D699,443 S 2/2014 Leblanc
 D700,248 S 2/2014 Proulx et al.
 D701,921 S 4/2014 Andersen
 D707,554 S 6/2014 Lavoie
 D716,880 S * 11/2014 Cote D21/493
 D747,419 S * 1/2016 Cote D21/484
 D753,774 S 4/2016 Proulx et al.
 D799,607 S * 10/2017 Pouliot D21/497
 D799,608 S * 10/2017 Pouliot D21/497
 D809,611 S * 2/2018 Deblois D21/503

OTHER PUBLICATIONS

Lego Brick 2x3 with Inverted Bow (98252), block available 2012-2018, [site visited Sep. 27, 2018] Available from Internet: <URL:https://www.brickowl.com/catalog/lego-brick-2-x-3-with-inverted-bow-98252>.*
 Lego Duplo Brick 2x4x2 with Curved Top (31213), block available 1993-2017, [site visited Sep. 27, 2018] Available from Internet: <URL:https://www.brickowl.com/catalog/lego-duplo-brick-2-x-4-x-2-with-curved-top-31213>.*
 Lego Duplo Brick 2x4 with Curved Sides (98223), block available 2012-2018, [site visited Sep. 27, 2018] Available from Internet: <URL:https://www.brickowl.com/catalog/lego-duplo-brick-2-x-4-with-curved-sides-98223>.*
 Excerpt of 1997 Mega Bloks Catalog, 3 pages.
 Excerpt of 2009 Mega Bloks Catalog, 16 pages.
 Excerpt of 2011 Mega Bloks Catalog, 12 pages.
 Excerpt of 2012 Mega Bloks Catalog, 22 pages.
 Excerpt of 2013 Mega Bloks Catalog, 3 pages.
 Office Action dated Dec. 4, 2015 in Design U.S. Appl. No. 29/515,645.
 Office Action dated Dec. 1, 2015 in Design U.S. Appl. No. 29/515,647.

* cited by examiner

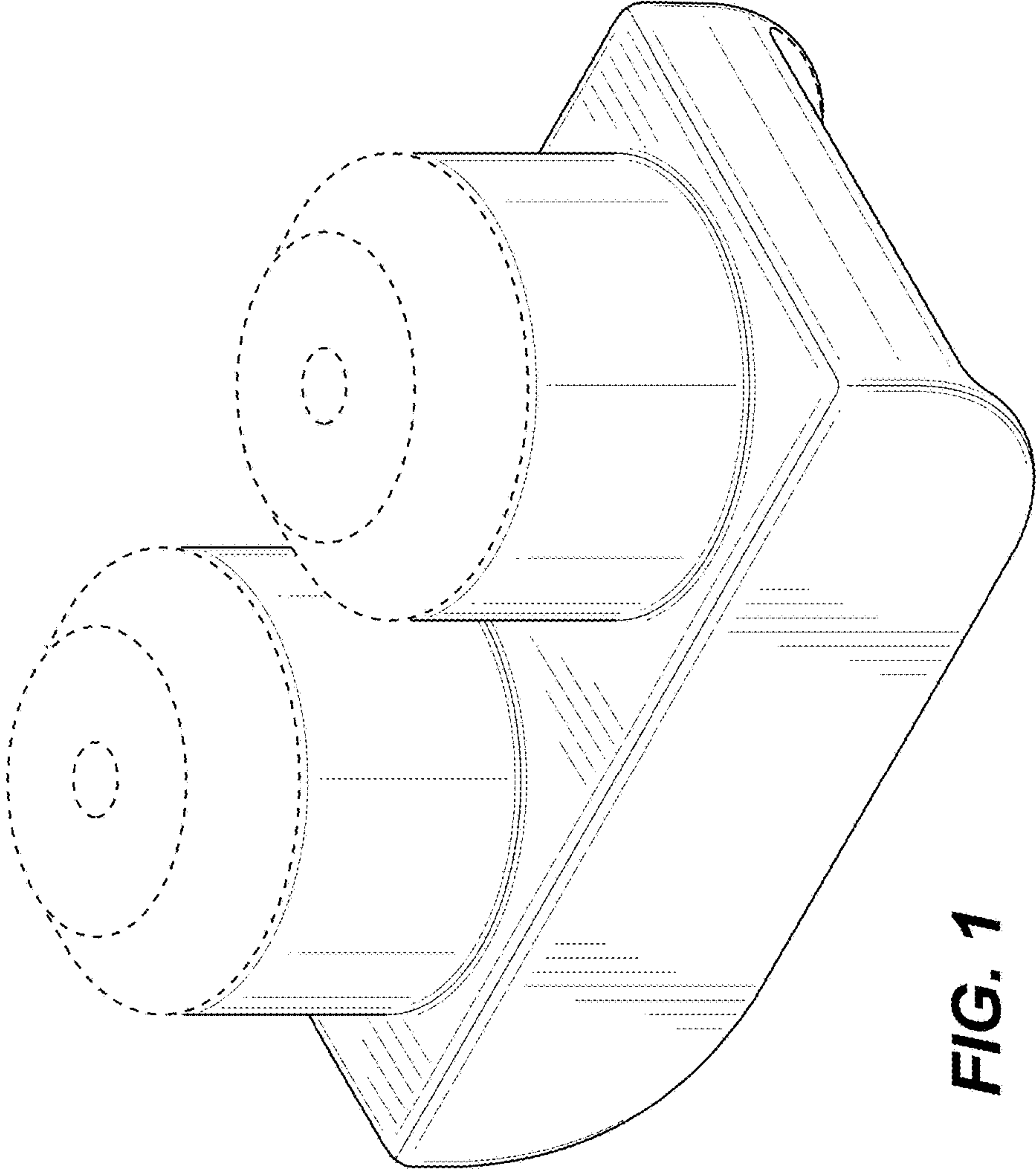


FIG. 1

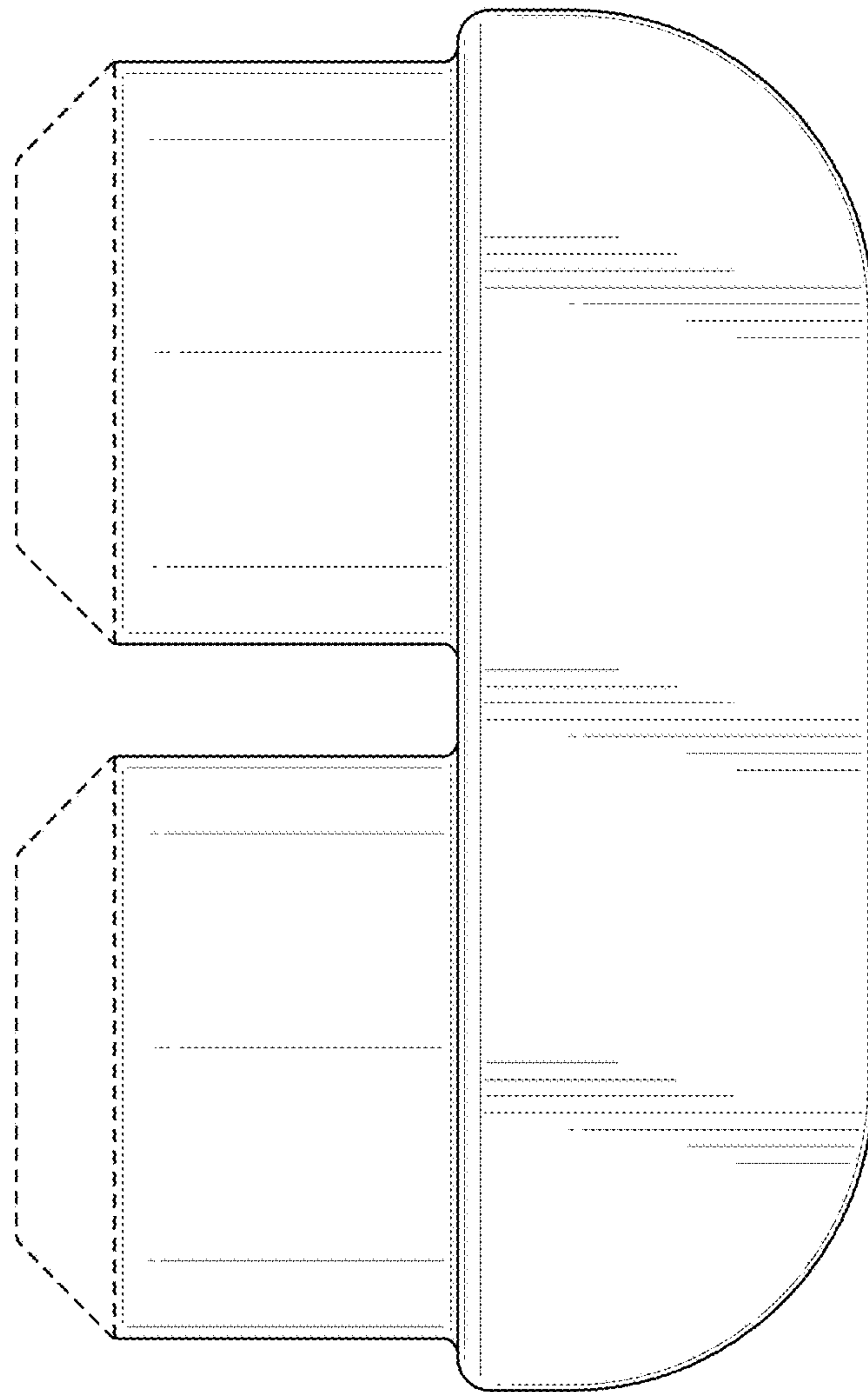


FIG. 2

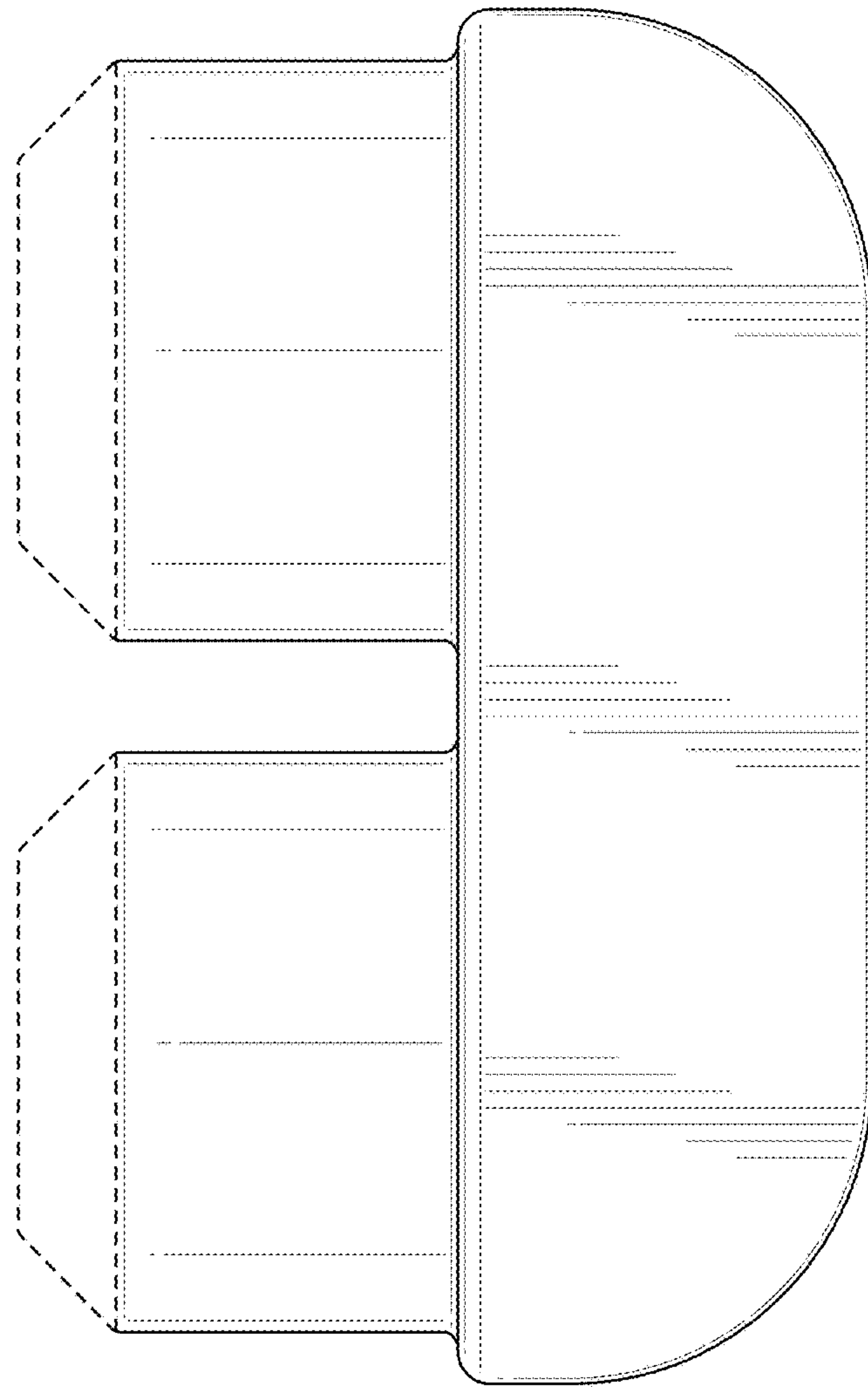


FIG. 3

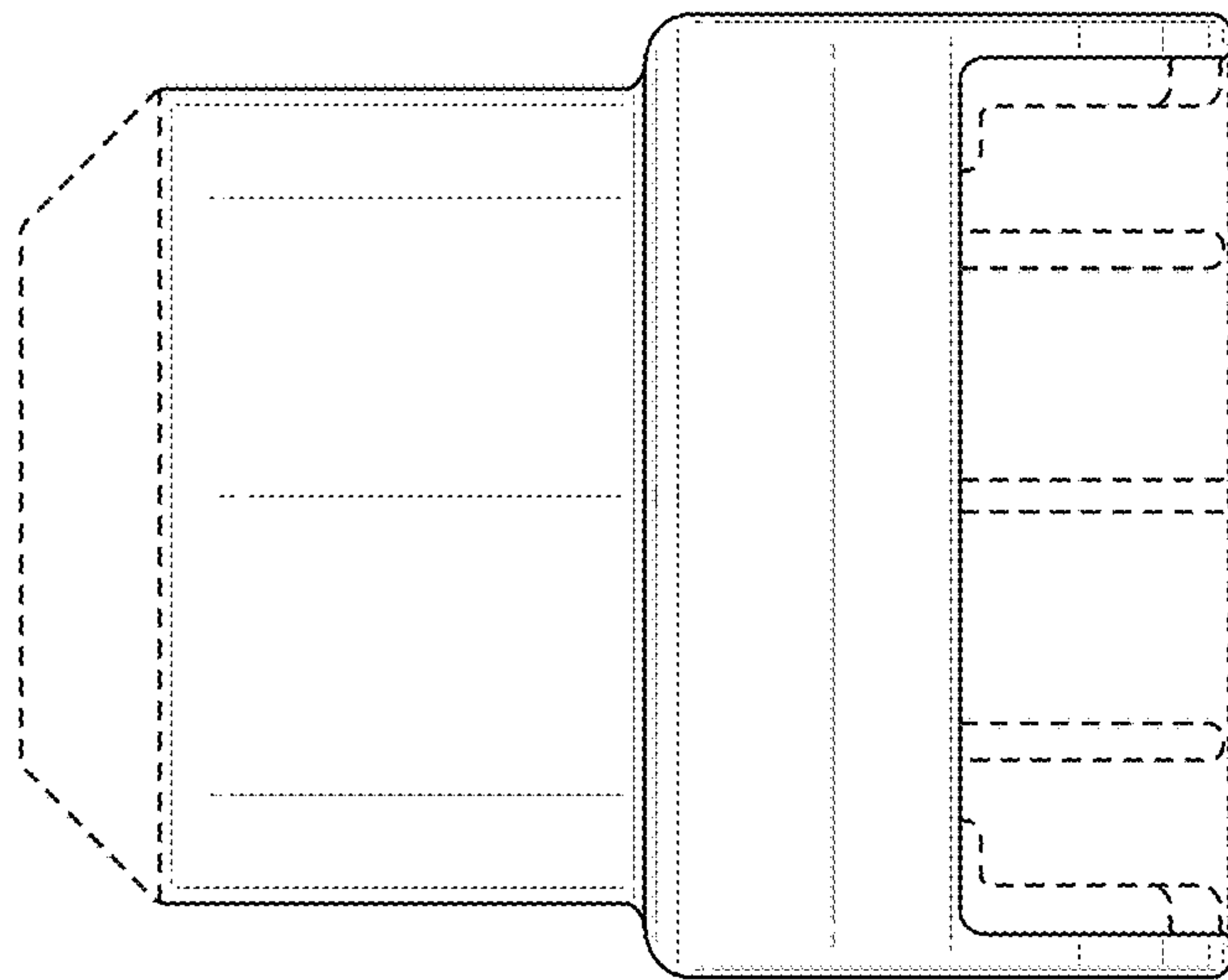


FIG. 4

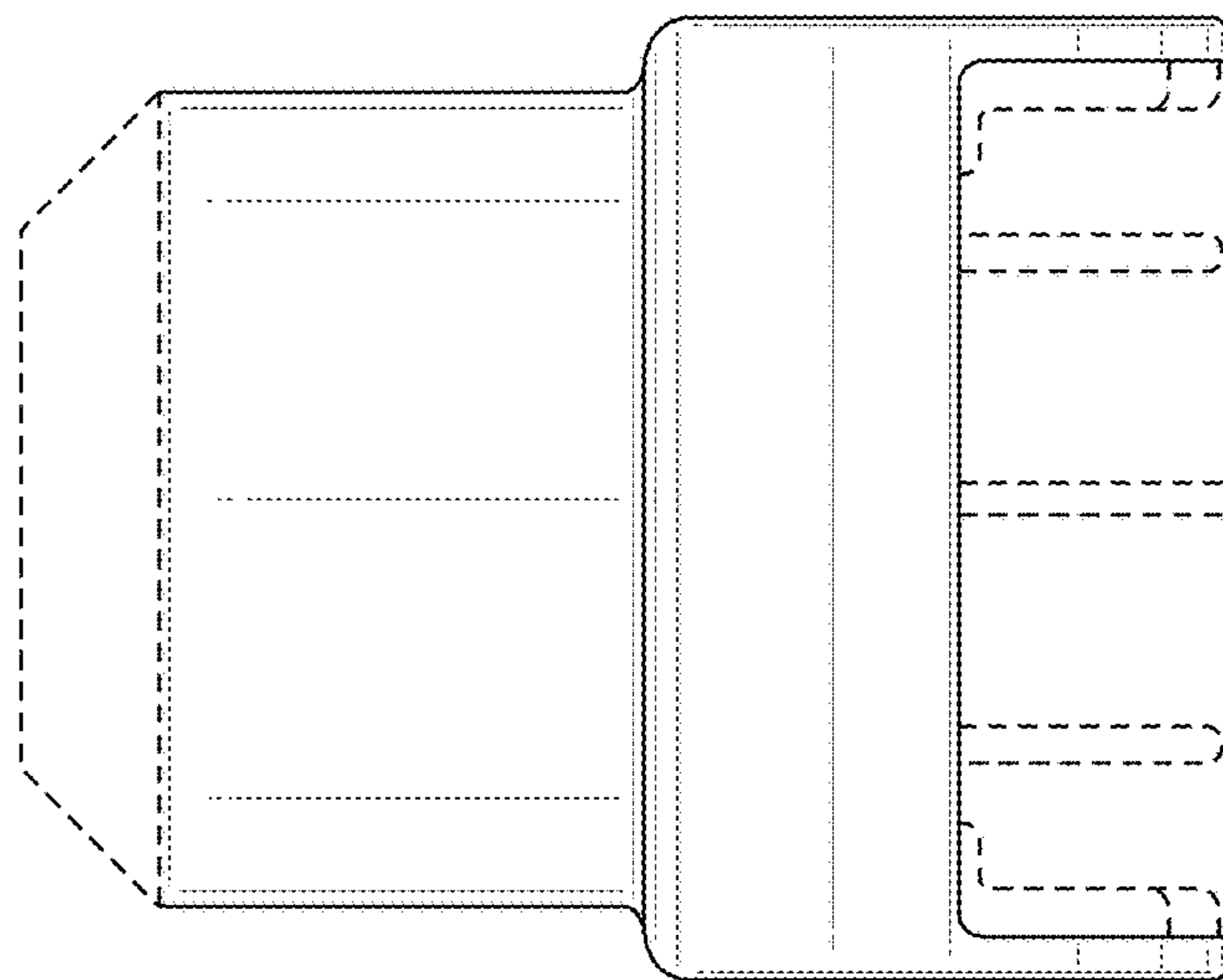


FIG. 5

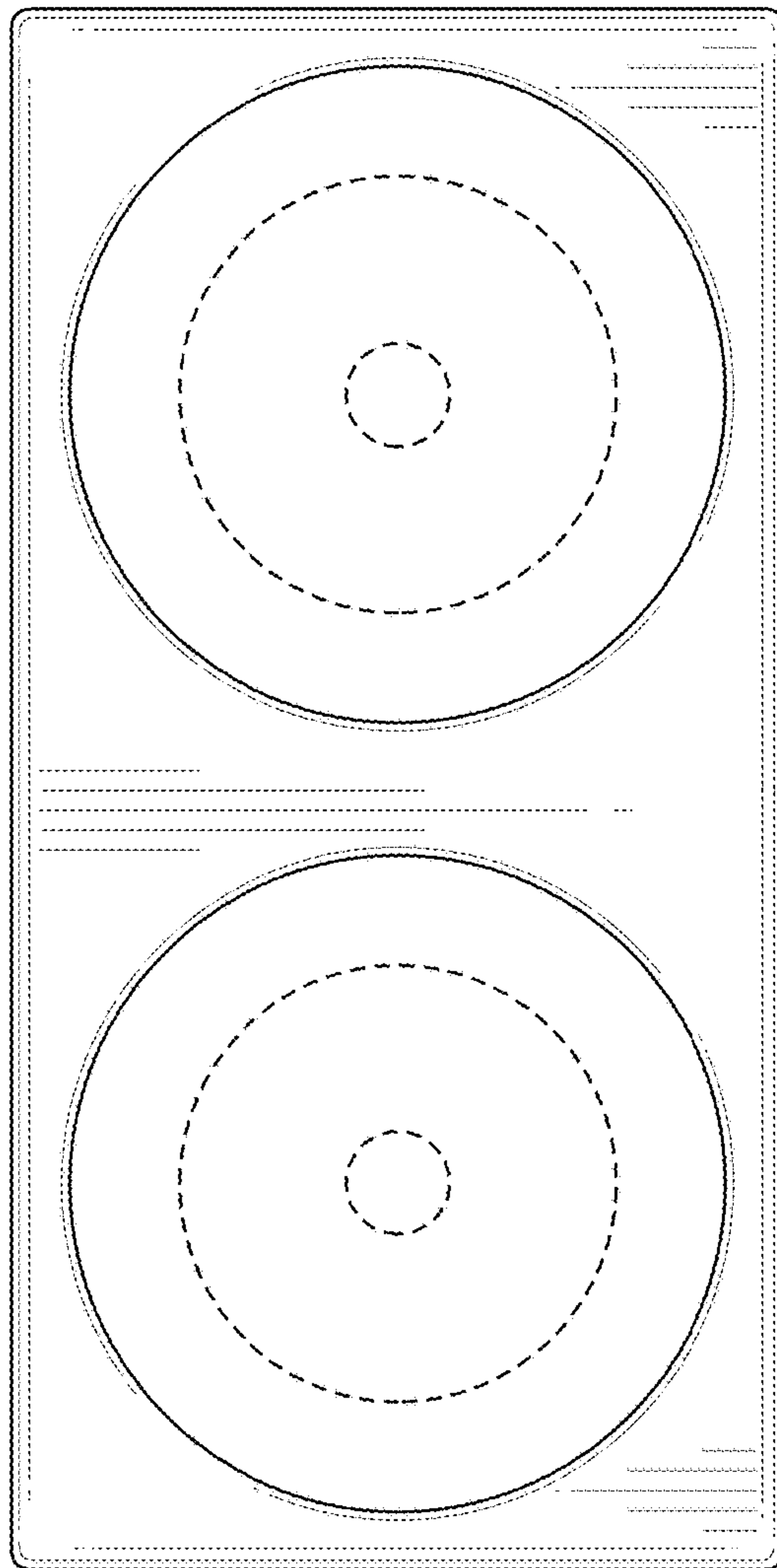


FIG. 6

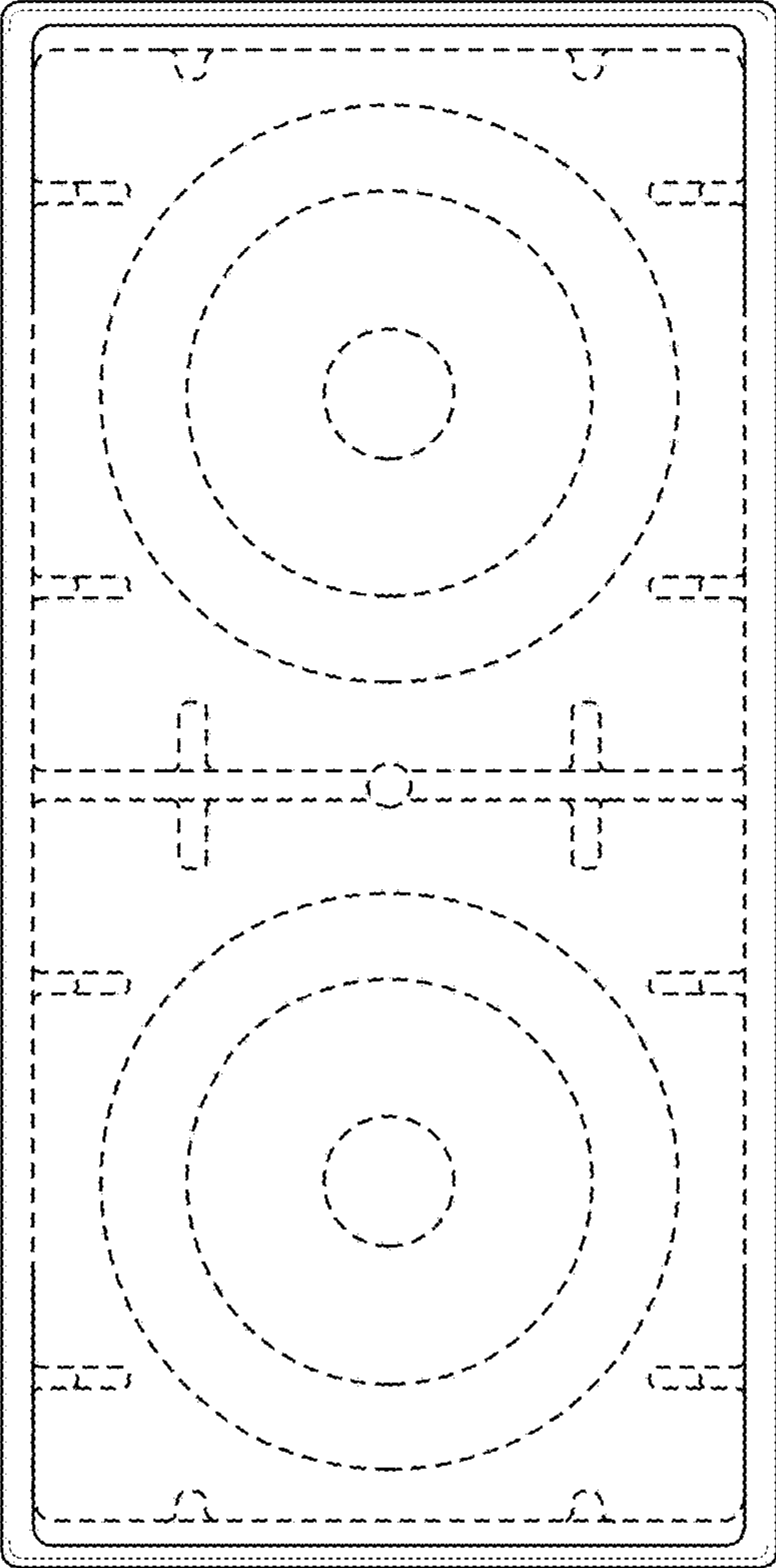


FIG. 7