



US00D848540S

(12) **United States Design Patent** (10) **Patent No.:** **US D848,540 S**
Nilsson (45) **Date of Patent:** **** May 14, 2019**

(54) **PART FOR A TOY CONSTRUCTION SET** 8,955,928 B2 * 2/2015 Cheng A47F 5/0018
220/4.33
(71) Applicant: **Jeff Nilsson**, Karlstad (SE) D729,039 S * 5/2015 Rieck D8/349
D757,860 S * 5/2016 Cochella D21/484
(72) Inventor: **Jeff Nilsson**, Karlstad (SE) D798,391 S * 9/2017 Howard D21/484
2006/0265992 A1 * 11/2006 Hiragaki E04B 1/2403
52/633
(**) Term: **15 Years**

(21) Appl. No.: **29/603,063**
(22) Filed: **May 10, 2017**

Related U.S. Application Data

(63) Continuation of application No. 35/500,373, filed on Sep. 18, 2015 (U.S. filing date under 35 U.S.C. 384), and having an international filing date of Sep. 18, 2015.
(51) **LOC (11) Cl.** **21-01**
(52) **U.S. Cl.**
USPC **D21/484**
(58) **Field of Classification Search**
USPC D21/502, 503, 484, 499, 839; D8/349
CPC E04B 1/2403; A47F 5/0018; A63H 33/044
See application file for complete search history.

References Cited

(56) **References Cited**
U.S. PATENT DOCUMENTS
4,270,302 A * 6/1981 Dandia A63H 33/044
446/105
D263,730 S * 4/1982 Oribin D21/839
5,137,485 A 8/1992 Penner et al.
D400,601 S 11/1998 Anello
D469,825 S 2/2003 Mills-Winkler et al.
D550,484 S * 9/2007 Bonatti D8/349
D617,397 S 6/2010 Thorogood
D723,108 S 2/2015 Schutt
D723,111 S 2/2015 Schutt
D723,112 S 2/2015 Schutt

OTHER PUBLICATIONS

Office Action (Restriction Requirement) for U.S. Appl. No. 35/500,373, dated Oct. 18, 2016, 10 pages.

* cited by examiner

Primary Examiner — George D. Kirschbaum
(74) *Attorney, Agent, or Firm* — Johnson, Marcou & Isaacs, LLC; Scott A. Hendrix

(57) **CLAIM**

The ornamental design for part for a toy construction set, as shown and described.

DESCRIPTION

FIG. 1 is a perspective side view of a part for a toy construction set;
FIG. 2 is a front view of a part for a toy construction set;
FIG. 3 is a top view of a part for a toy construction set;
FIG. 4 is a left view of a part for a toy construction set;
FIG. 5 is a right view of a part for a toy construction set;
FIG. 6 is a rear view of a part for a toy construction set;
FIG. 7 is a side view of a part for a toy construction set; and,
FIG. 8 is a perspective view of a part for a toy construction set.

1 Claim, 8 Drawing Sheets

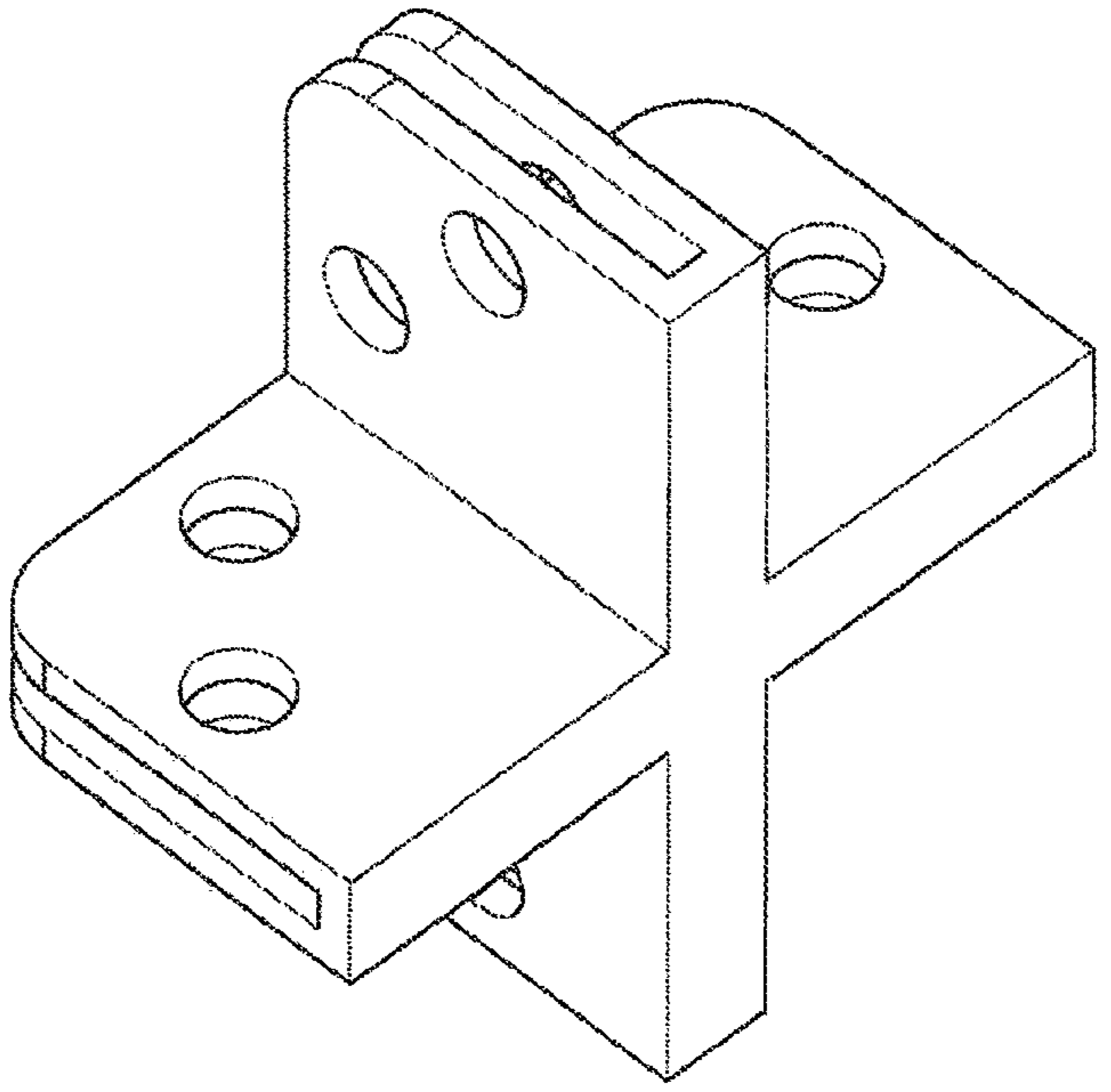


FIG. 1

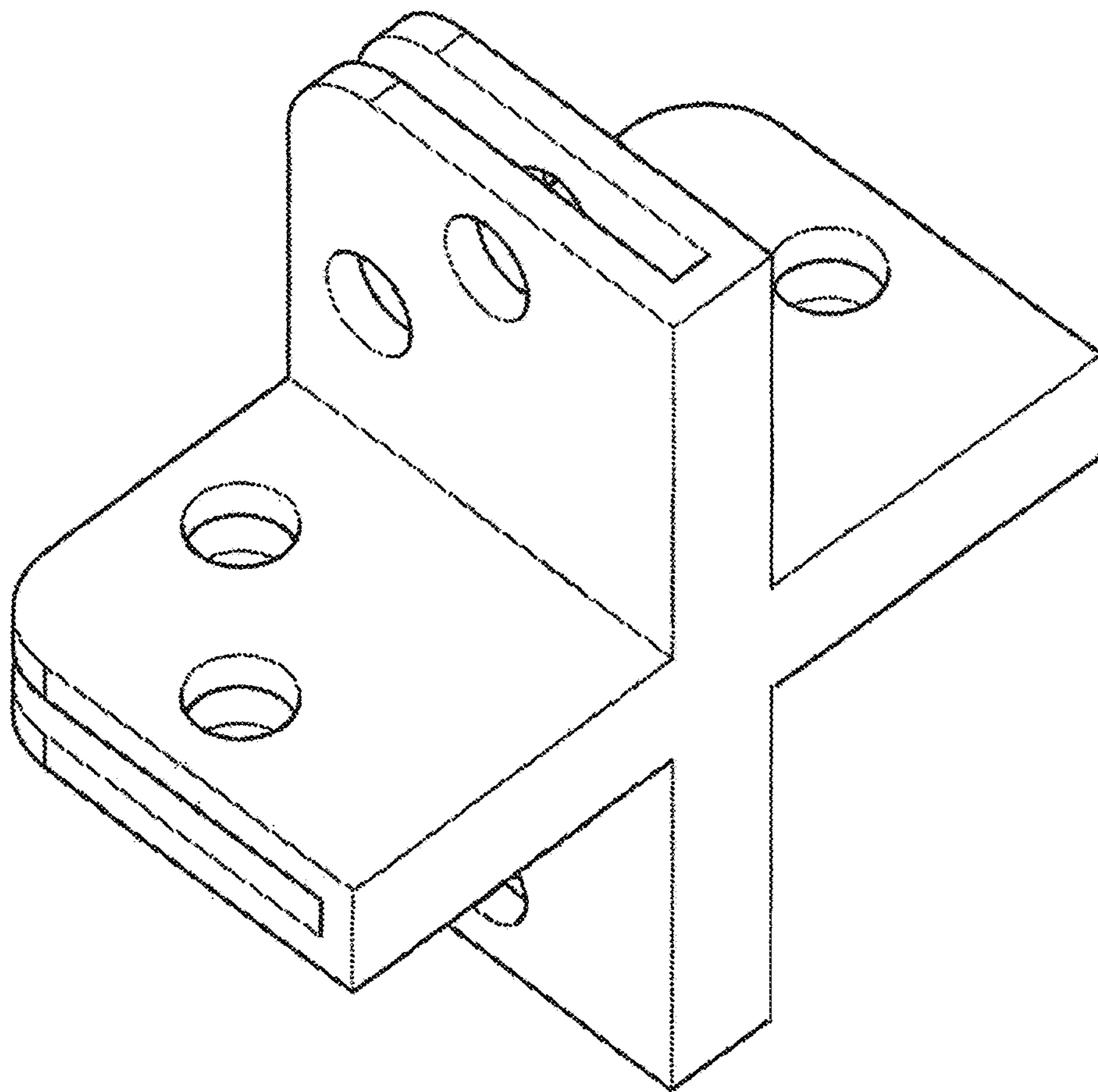


FIG. 2

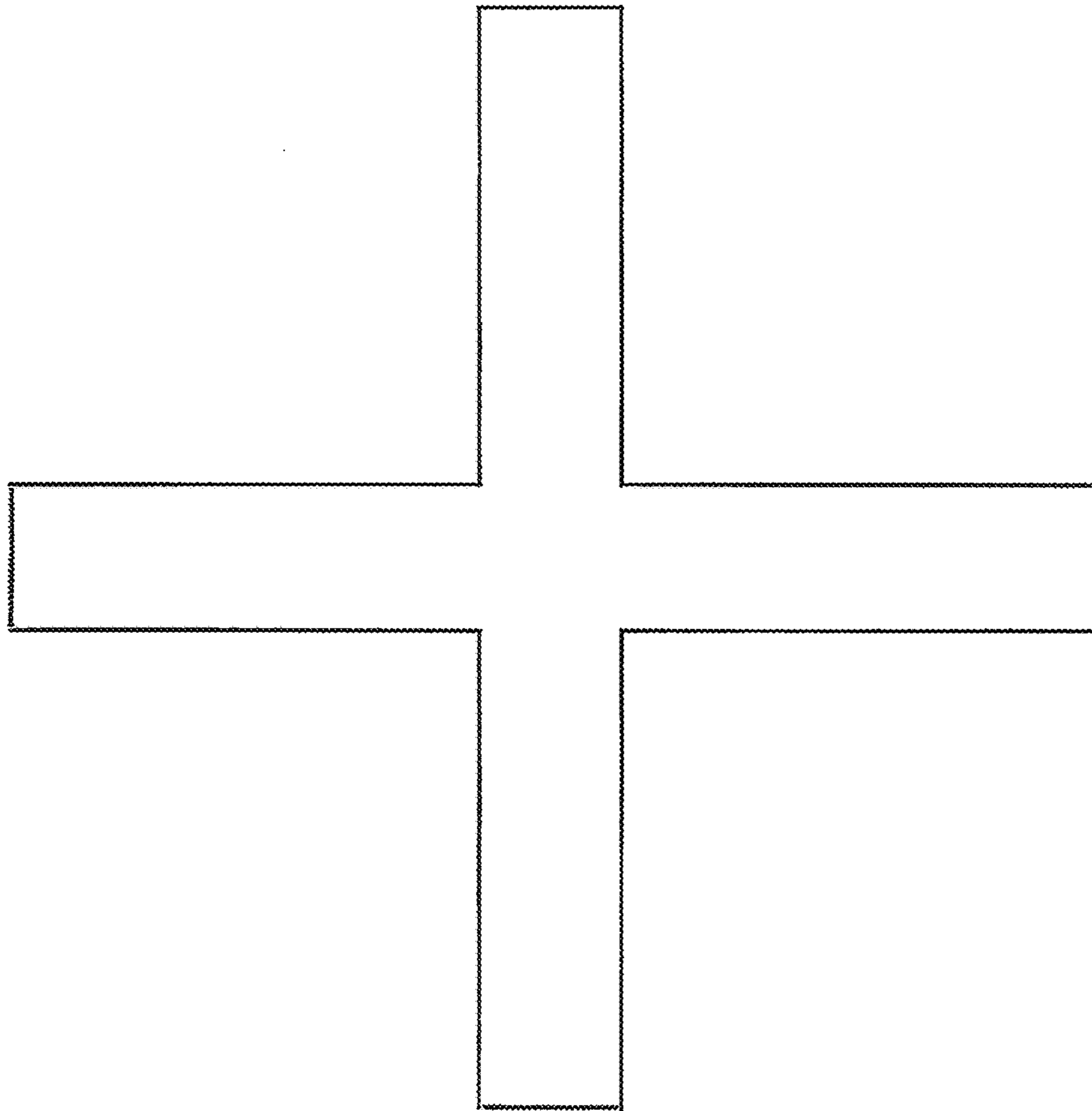


FIG. 3

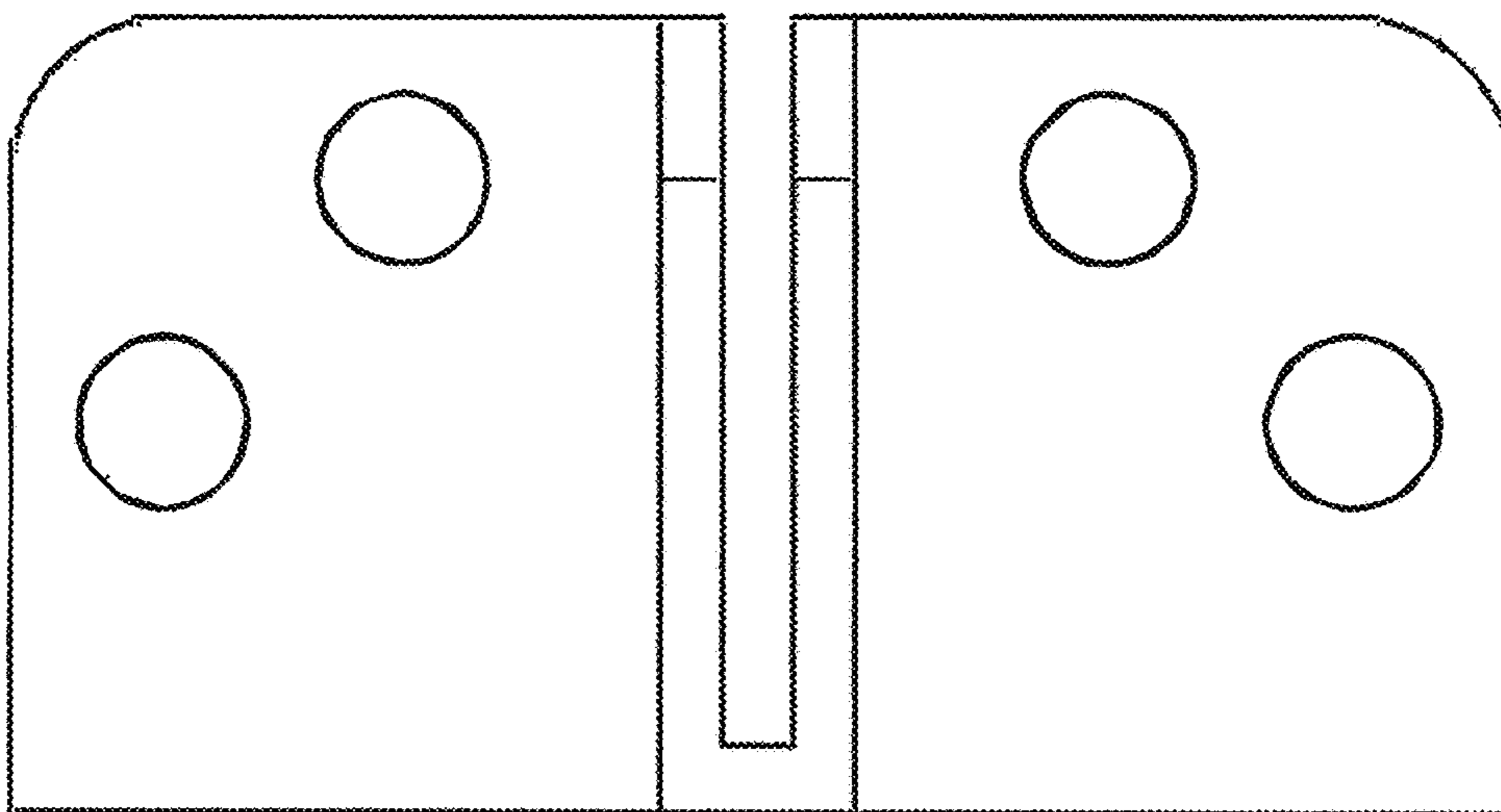


FIG. 4

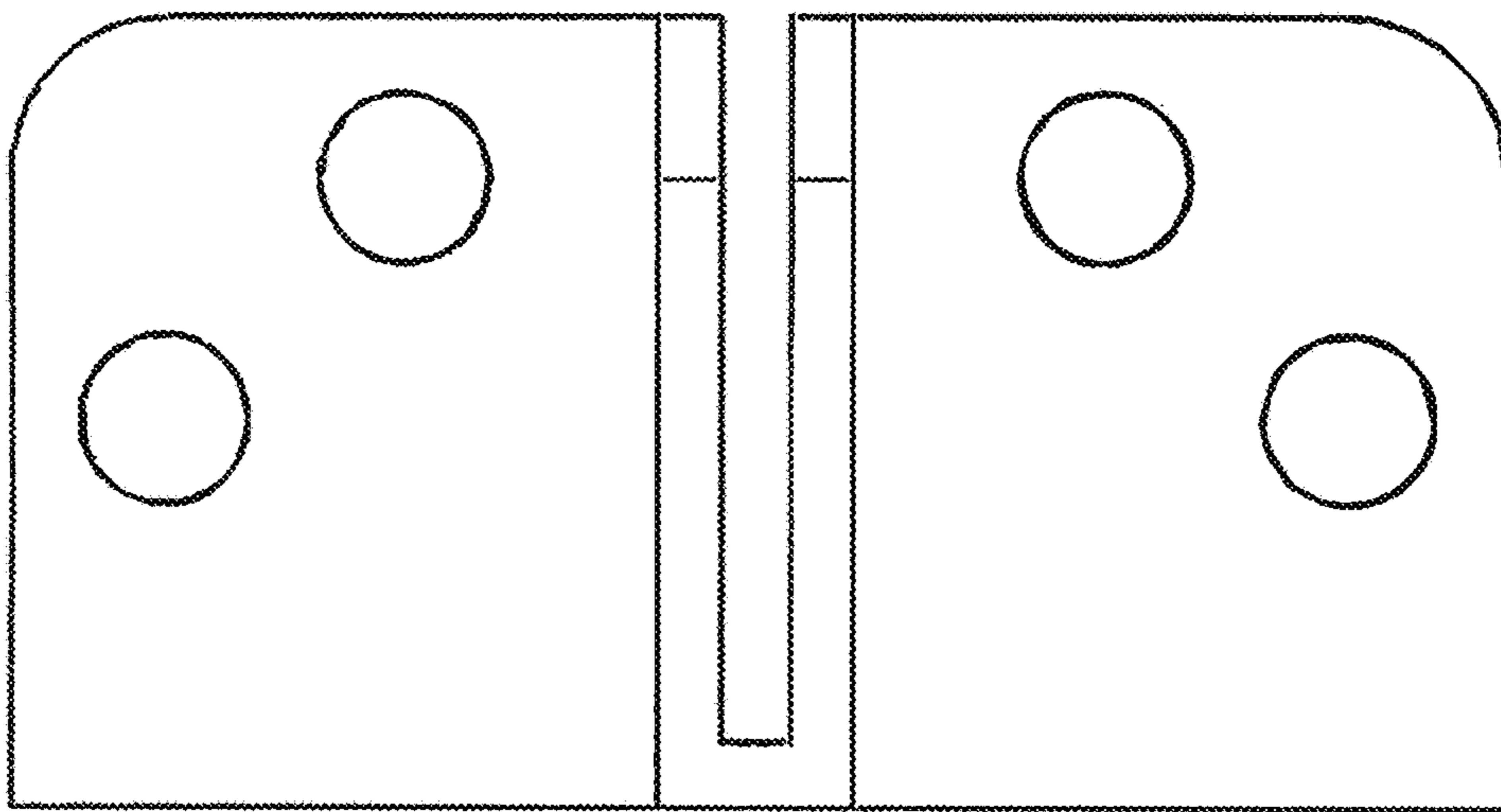


FIG. 5

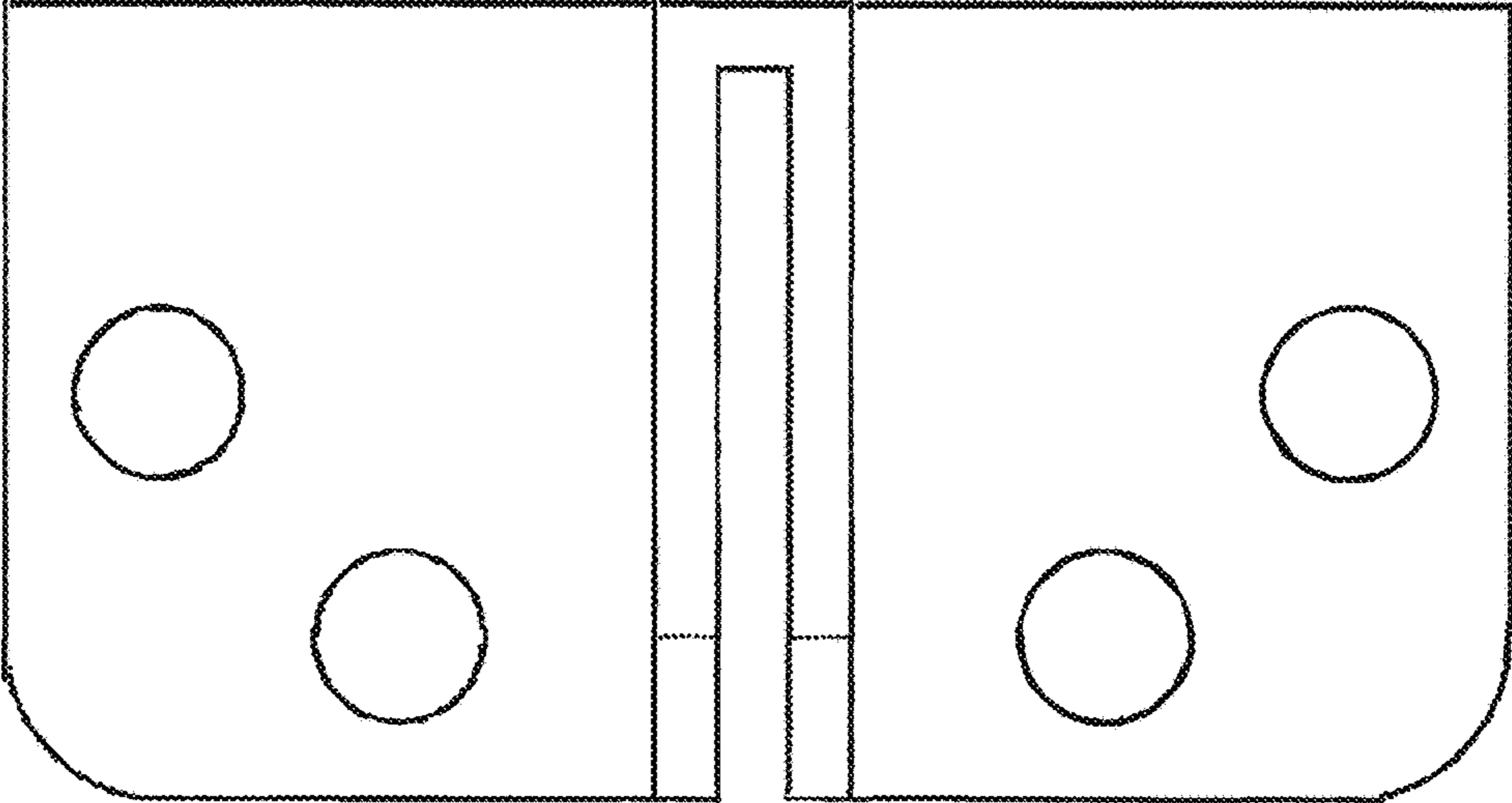


FIG. 6

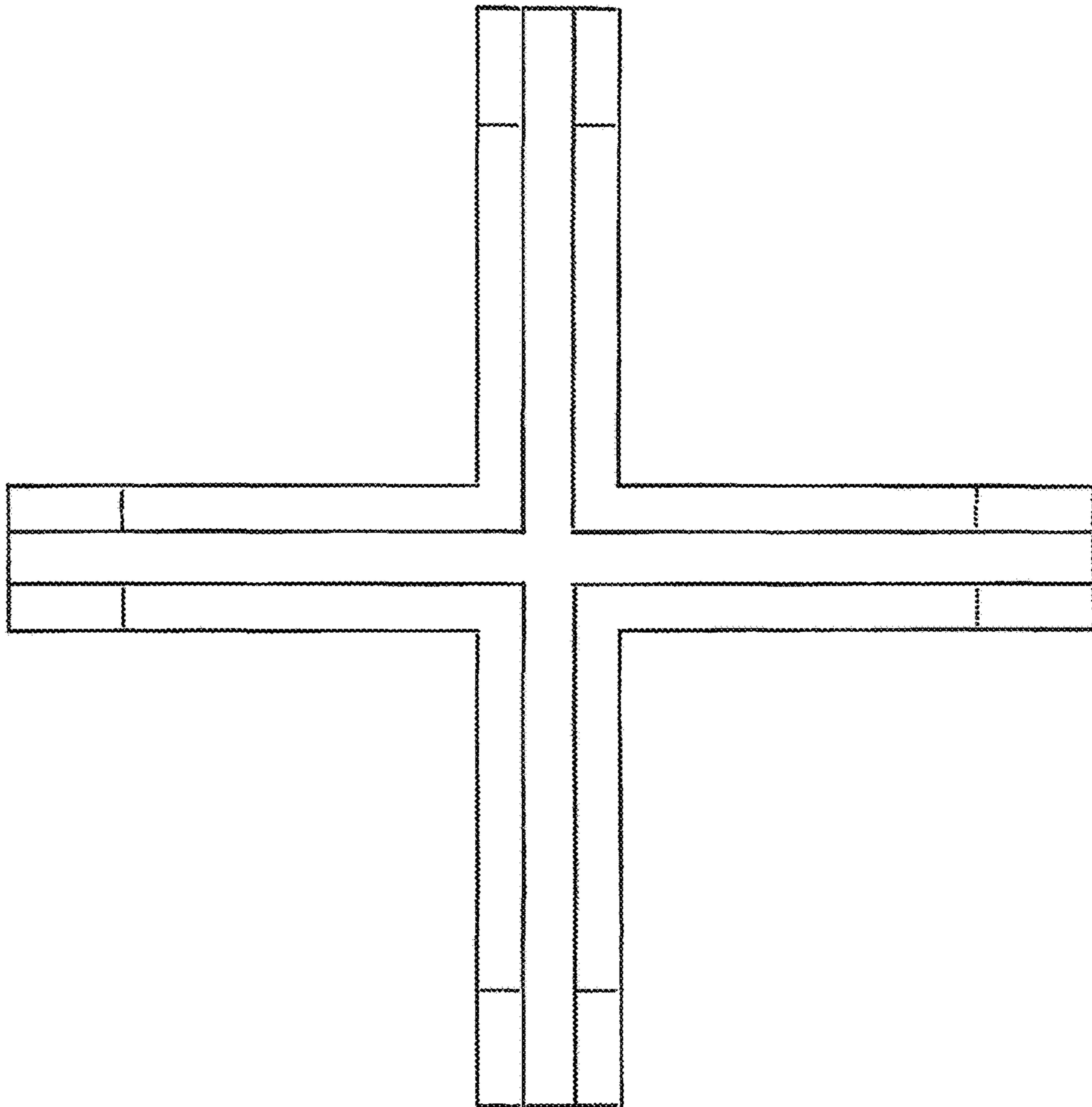


FIG. 7

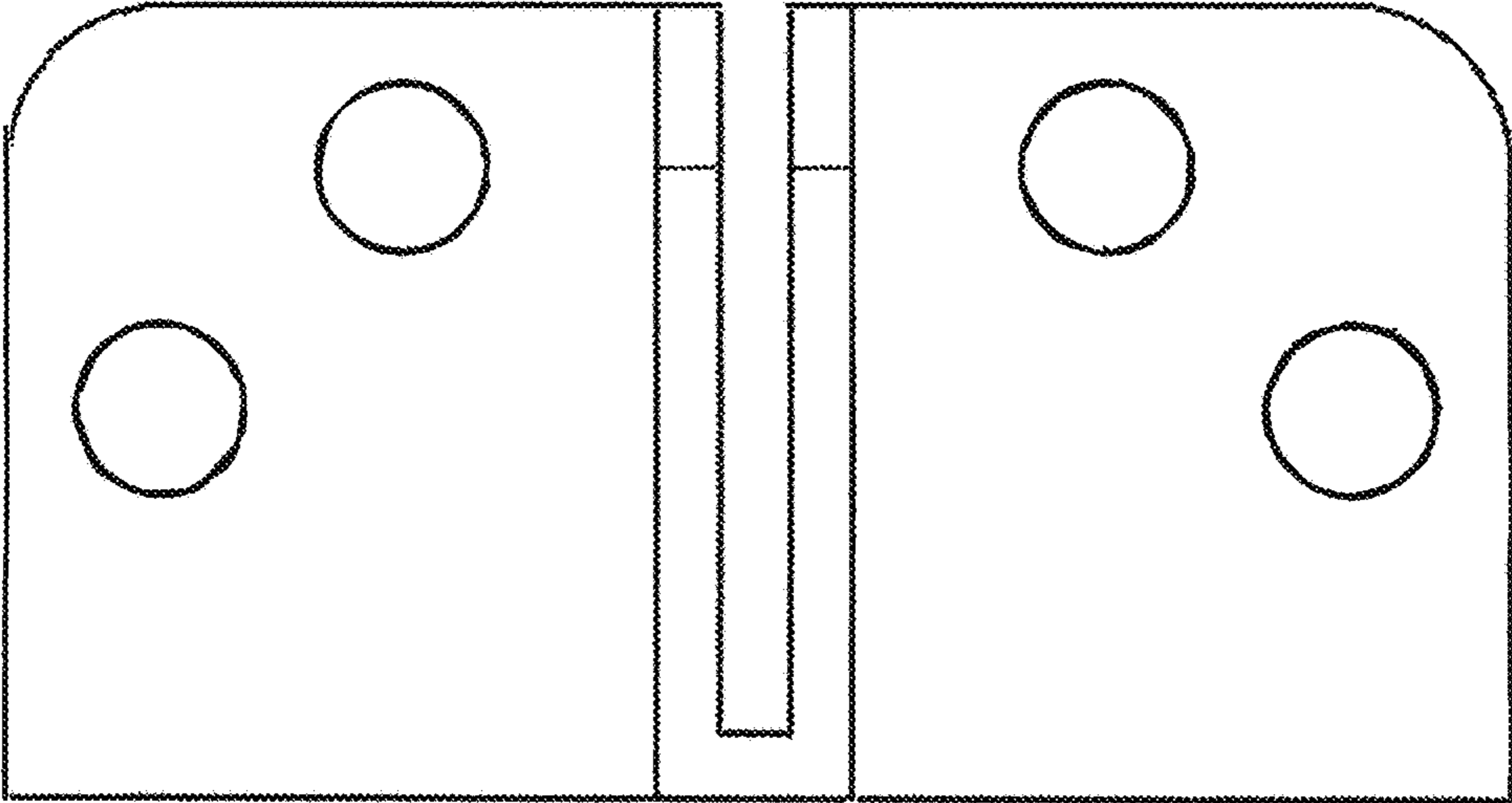


FIG. 8

