



US00D848539S

(12) **United States Design Patent**
Horikoshi

(10) **Patent No.:** **US D848,539 S**

(45) **Date of Patent:** **** May 14, 2019**

(54) **SPINNING TOP TOY**

(71) Applicant: **TOMY COMPANY, LTD.**, Tokyo (JP)

(72) Inventor: **Kenji Horikoshi**, Tokyo (JP)

(73) Assignee: **TOMY COMPANY, LTD.**, Tokyo (JP)

(**) Term: **15 Years**

(21) Appl. No.: **29/620,176**

(22) Filed: **Aug. 4, 2016**

(30) **Foreign Application Priority Data**

Jun. 6, 2016 (JP) 2016-011995

(51) **LOC (11) Cl.** **21-01**

(52) **U.S. Cl.**
USPC **D21/460**

(58) **Field of Classification Search**
USPC D21/455-464; 446/236-266

(Continued)

(56) **References Cited**

U.S. PATENT DOCUMENTS

D614,245 S * 4/2010 Ujita D21/460
D629,051 S * 12/2010 Nishimoto D21/460

(Continued)

FOREIGN PATENT DOCUMENTS

CN 302255893 * 12/2012
CN 302300475 * 1/2013

(Continued)

OTHER PUBLICATIONS

Japanese Office Action dated Oct. 4, 2016 in corresponding Japanese Patent Application No. 2016-011995.

Primary Examiner — Catherine A Tuttle

(74) *Attorney, Agent, or Firm* — Staas & Halsey LLP

(57) **CLAIM**

The ornamental design for a spinning top toy, as shown and described.

DESCRIPTION

FIG. 1 is a front view of the spinning top toy showing our design;

FIG. 2 is a left side view thereof;

FIG. 3 is a rear view thereof;

FIG. 4 is right side view thereof;

FIG. 5 is a top view thereof;

FIG. 6 is a bottom view thereof;

FIG. 7 is a perspective view thereof;

FIG. 8 is a front view thereof corresponding to FIG. 1 but showing contour shading to the exterior parts and with the interior parts omitted for clarity of disclosure;

FIG. 9 is a left side view thereof corresponding to FIG. 2 but showing contour shading to the exterior parts and with the interior parts omitted for clarity of disclosure;

FIG. 10 is rear view thereof corresponding to FIG. 3 but showing contour shading to the exterior parts and with the interior parts omitted for clarity of disclosure;

FIG. 11 is a right side view thereof corresponding to FIG. 4 but showing contour shading to the exterior parts and with the interior parts omitted for clarity of disclosure;

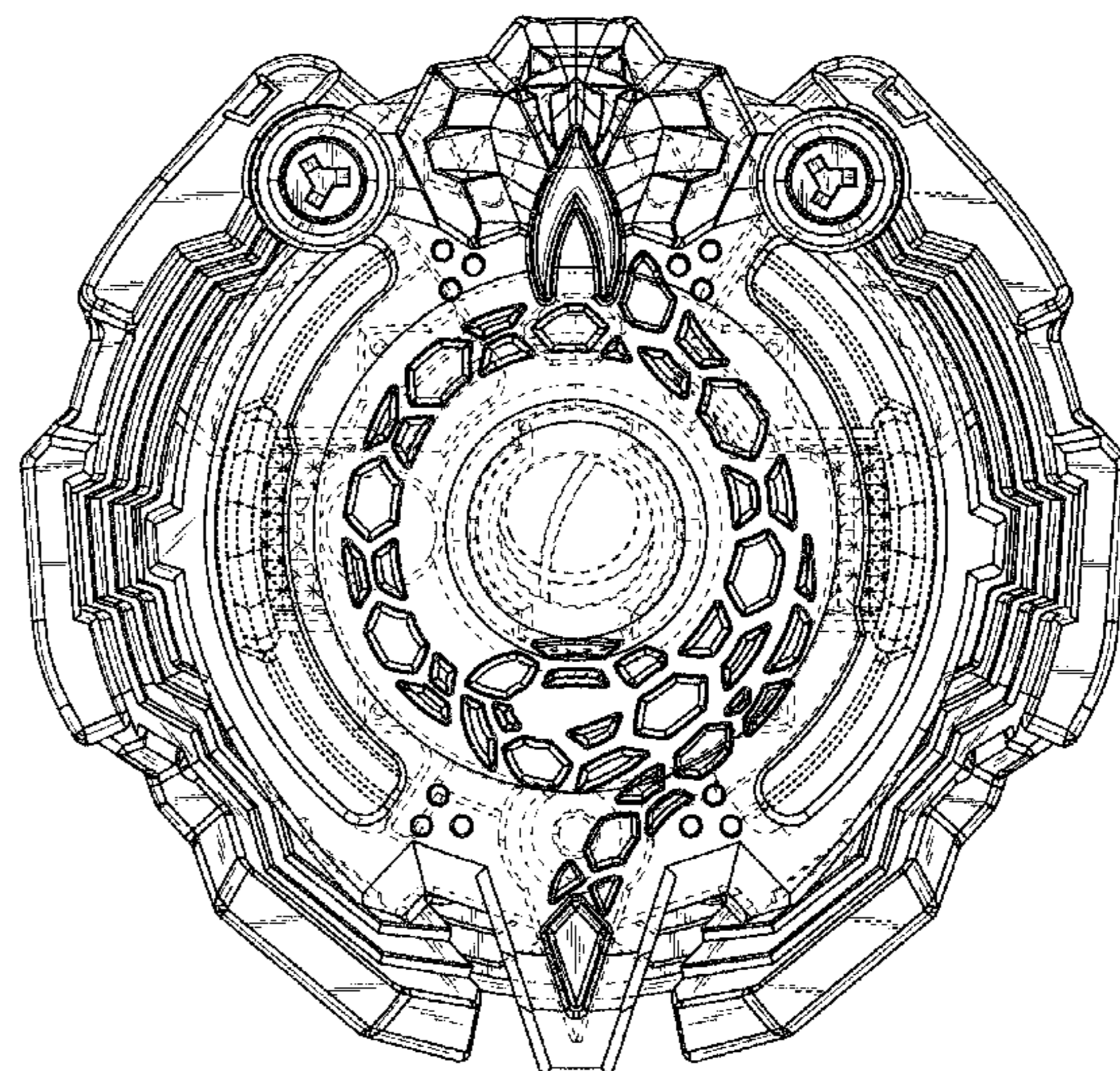
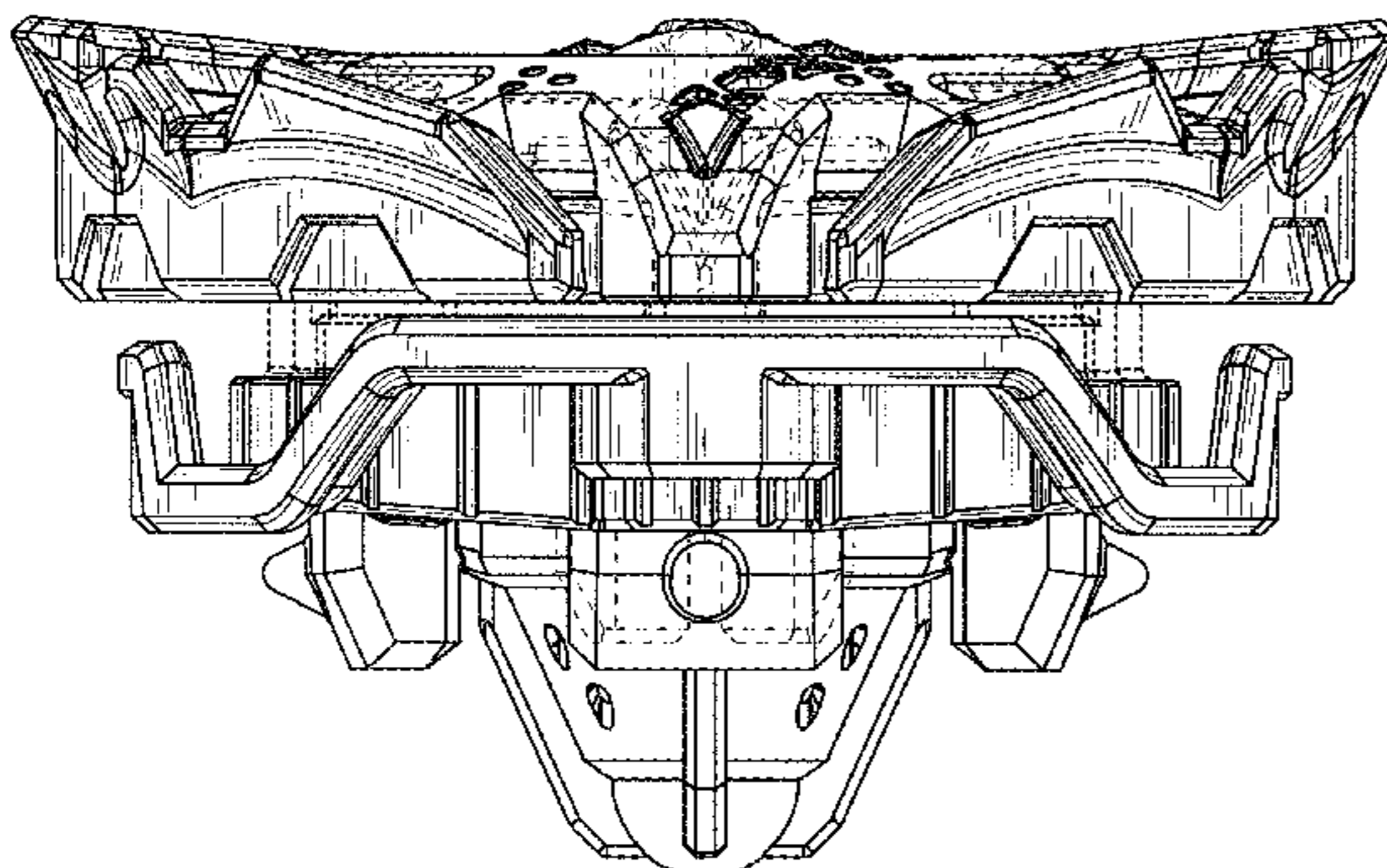
FIG. 12 is a top view thereof corresponding to FIG. 5 but showing contour shading to the exterior parts and with the interior parts omitted for clarity of disclosure;

FIG. 13 is a bottom view thereof corresponding to FIG. 6 but showing contour shading to the exterior parts and with the interior parts omitted for clarity of disclosure; and,

FIG. 14 is a perspective view corresponding to FIG. 7, but showing contour shading to the exterior parts and with the interior parts omitted for clarity of disclosure.

The portions of the spinning top toy shown in broken lines form no part of the claimed design.

1 Claim, 14 Drawing Sheets



(58) **Field of Classification Search**

CPC A63H 1/00-1/32; A63F 9/16

See application file for complete search history.

(56) **References Cited**

U.S. PATENT DOCUMENTS

D629,468 S * 12/2010 Ujita D21/460
D646,729 S * 10/2011 Ujita D21/460
D662,556 S * 6/2012 Horikoshi D21/460
D665,859 S * 8/2012 Horikoshi D21/460
D666,252 S * 8/2012 Ujita D21/460
D666,253 S * 8/2012 Ujita D21/460
9,849,393 B2 * 12/2017 Muraki A63H 1/00
D834,101 S * 11/2018 Horikoshi D21/460

FOREIGN PATENT DOCUMENTS

CN 303467759 * 11/2015
CN 303817127 * 2/2016
CN 303970413 * 12/2016
EM 002062091-0001 * 2/2012
EM 003253442-0004 * 7/2016
EM 003253442-0008 * 7/2016
EM 003318252-0001 * 8/2016
JP D1549752 * 5/2016
JP D1549756 * 5/2016
JP D1549780 * 5/2016
JP D1565798 * 12/2016
KR 300847433.0000 * 3/2016

* cited by examiner

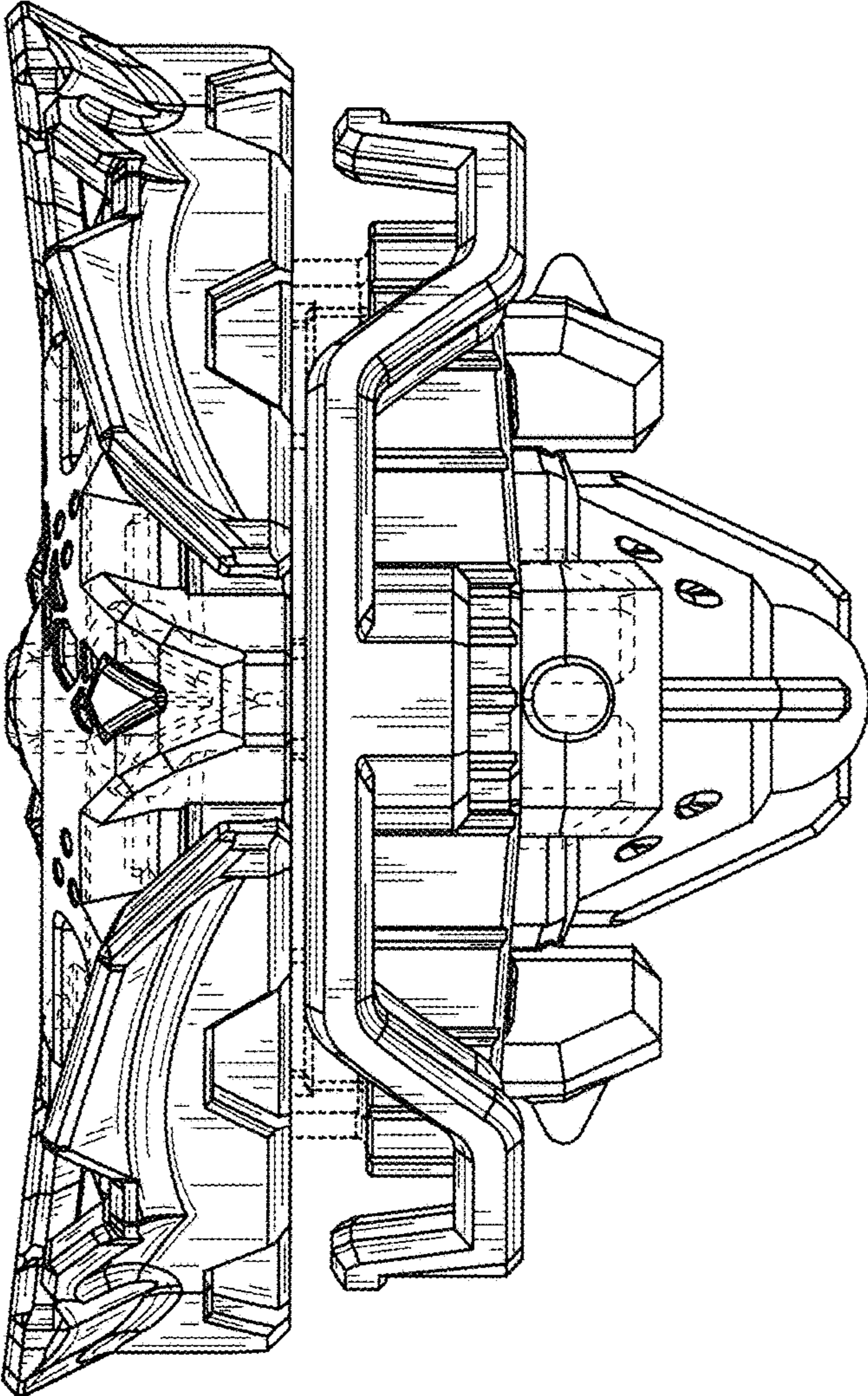


FIG. 1

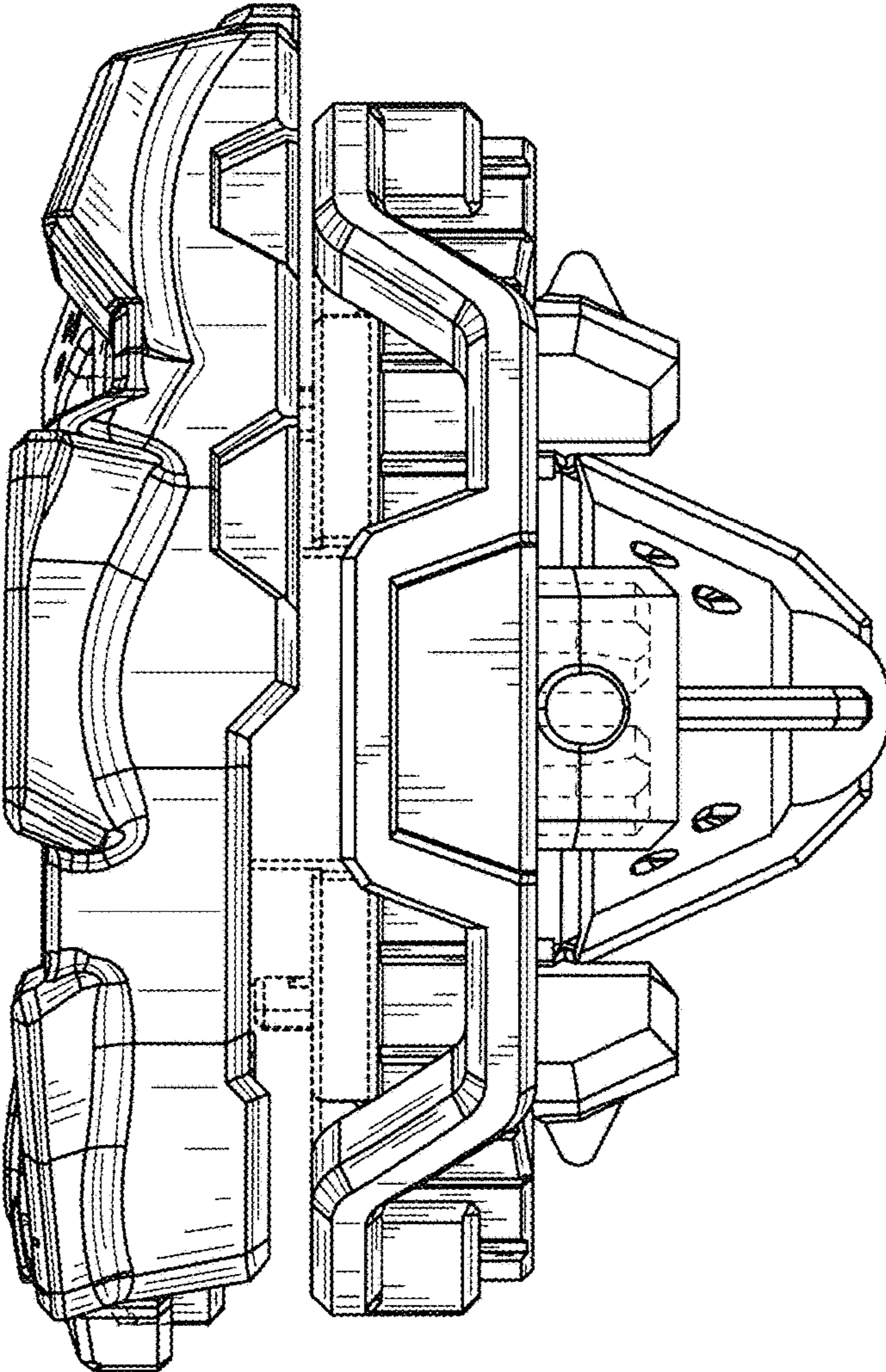


FIG. 2

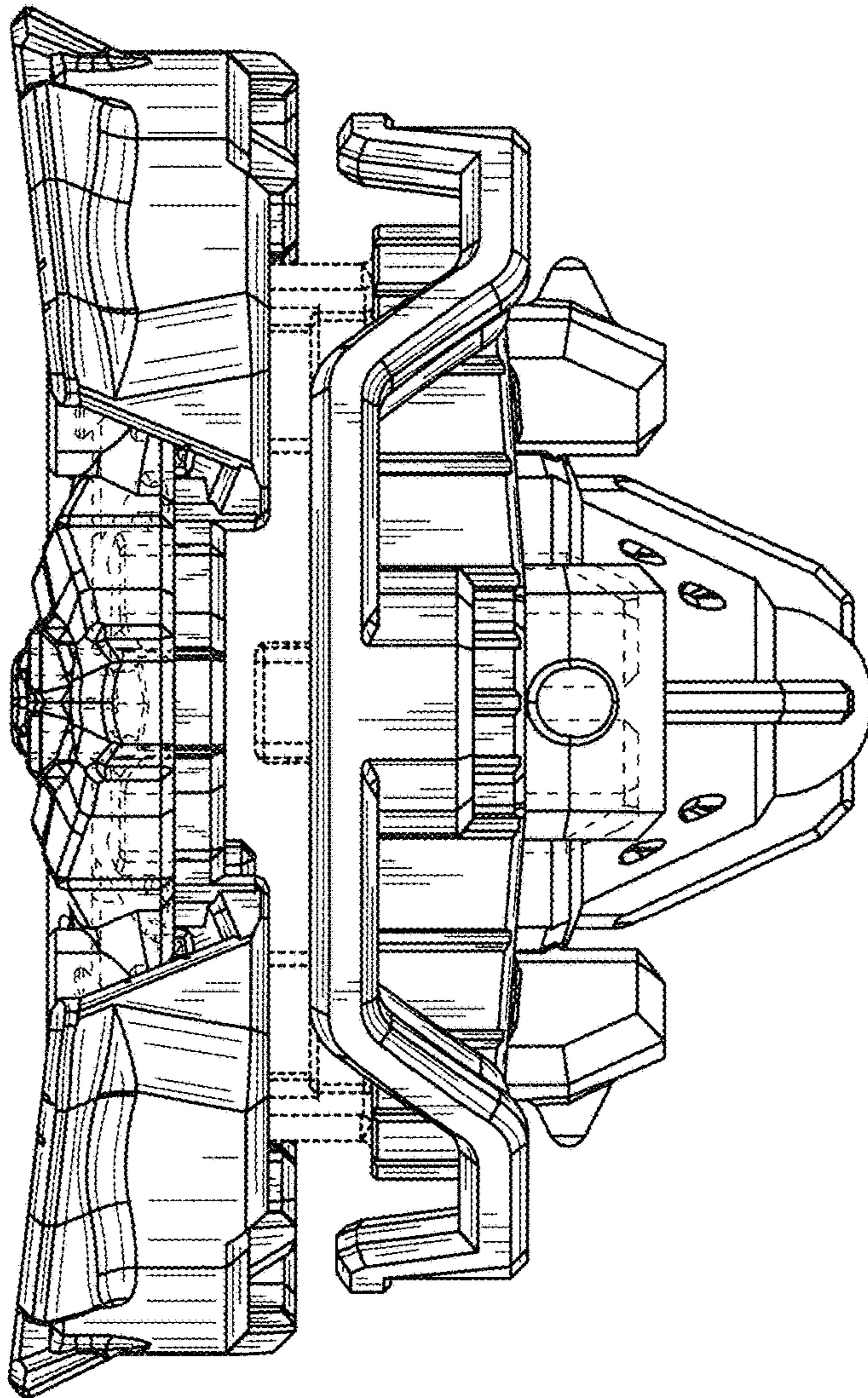


FIG. 3

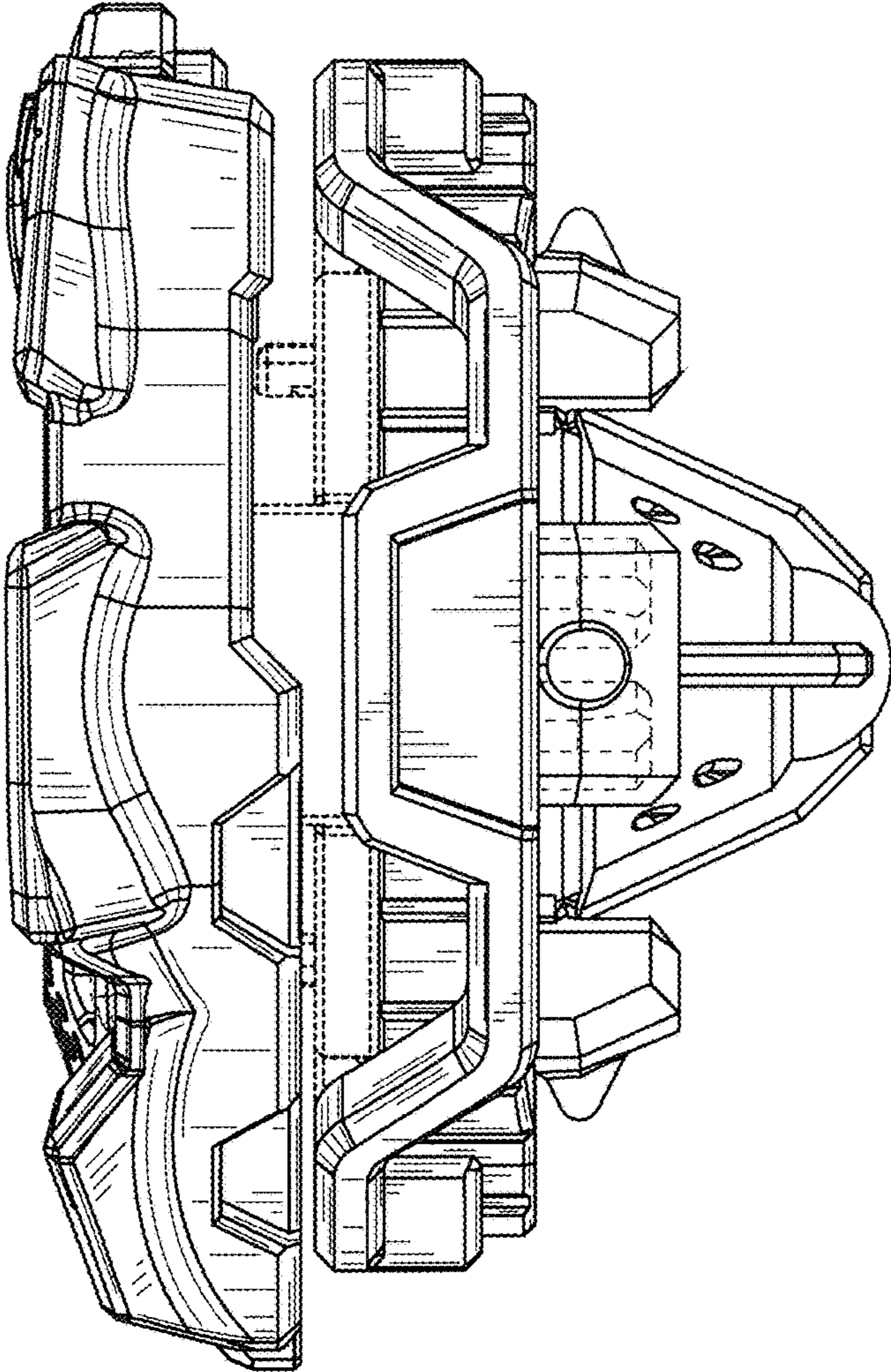


FIG. 4

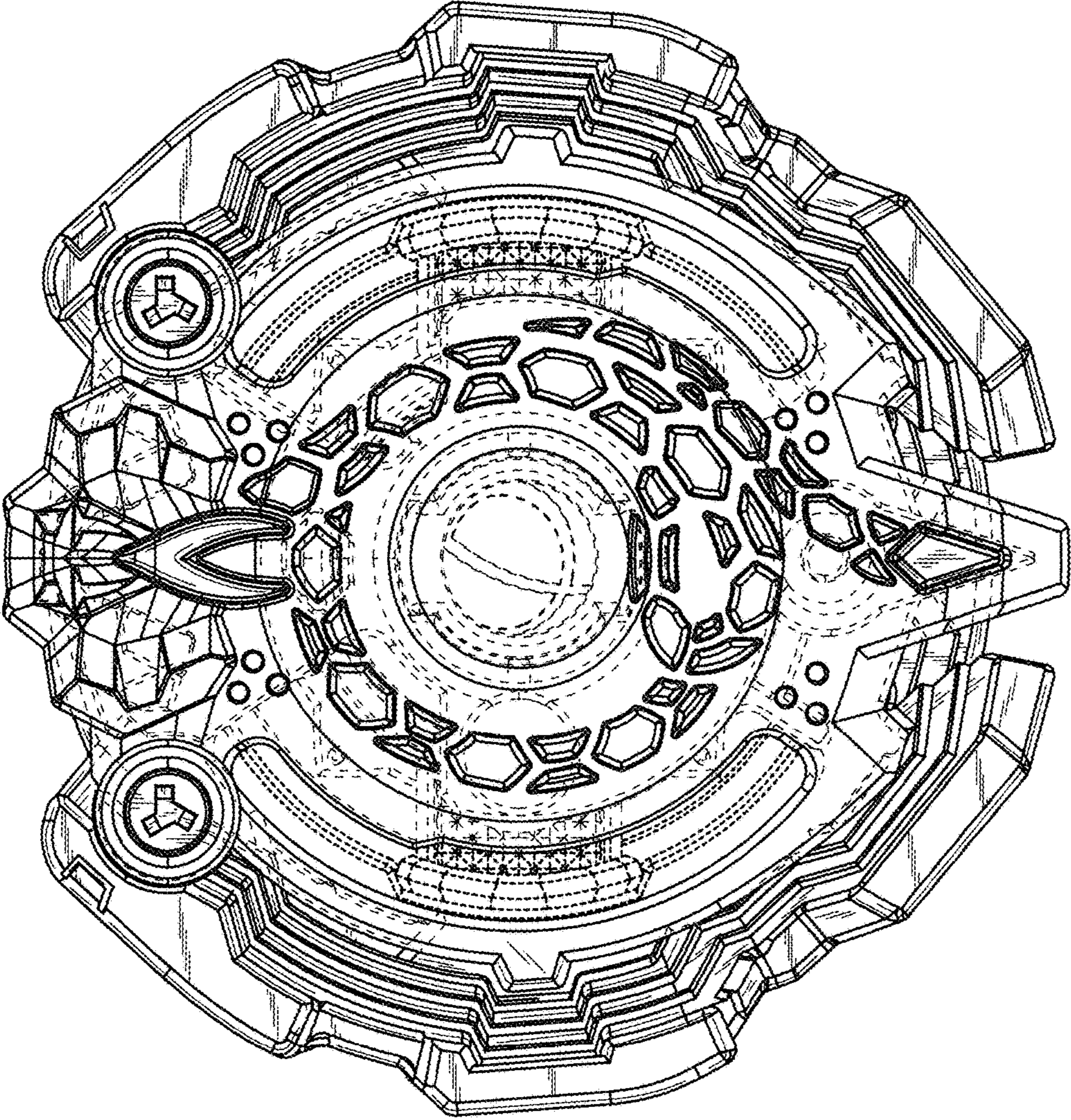


FIG. 5

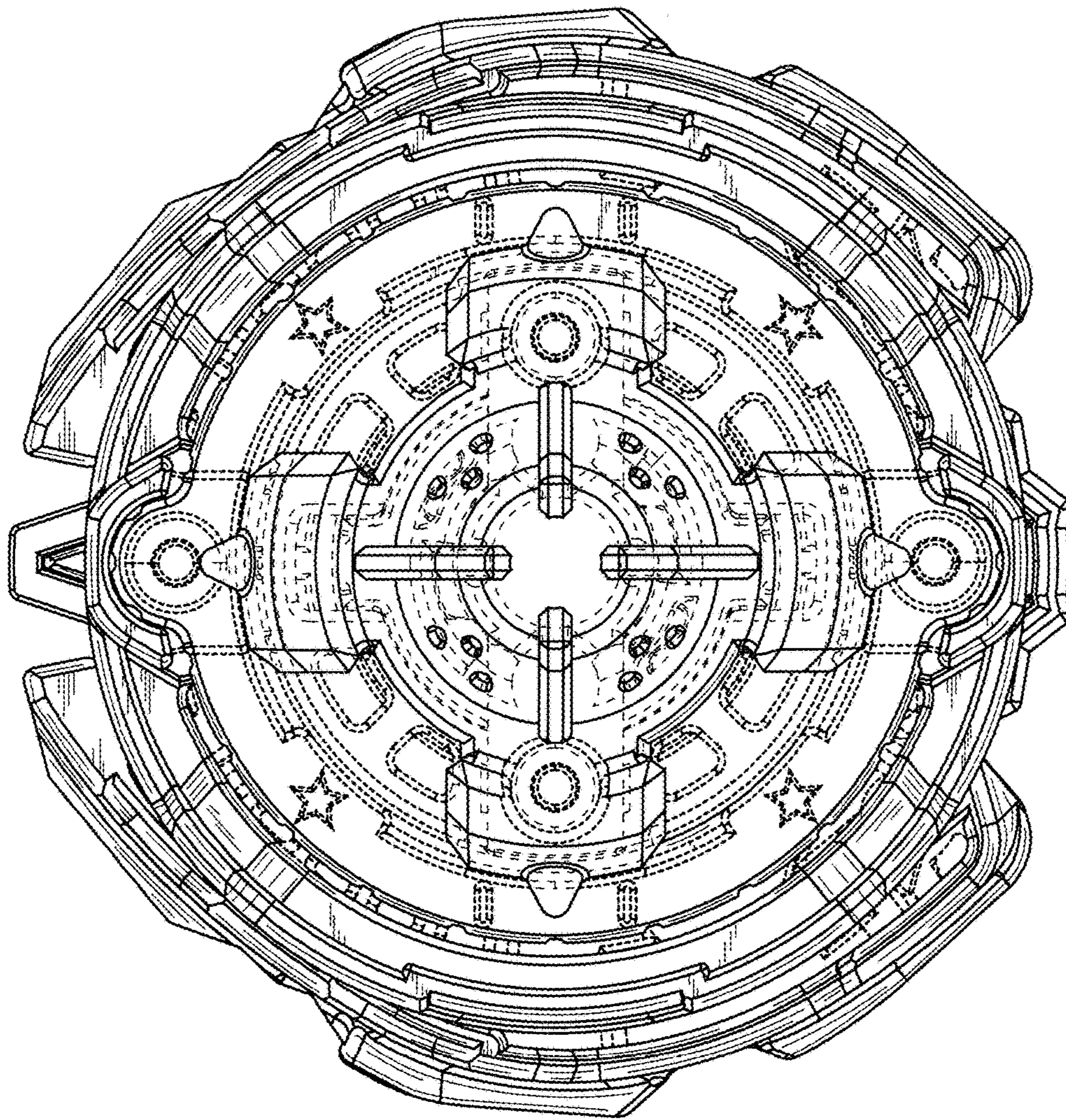


FIG. 6

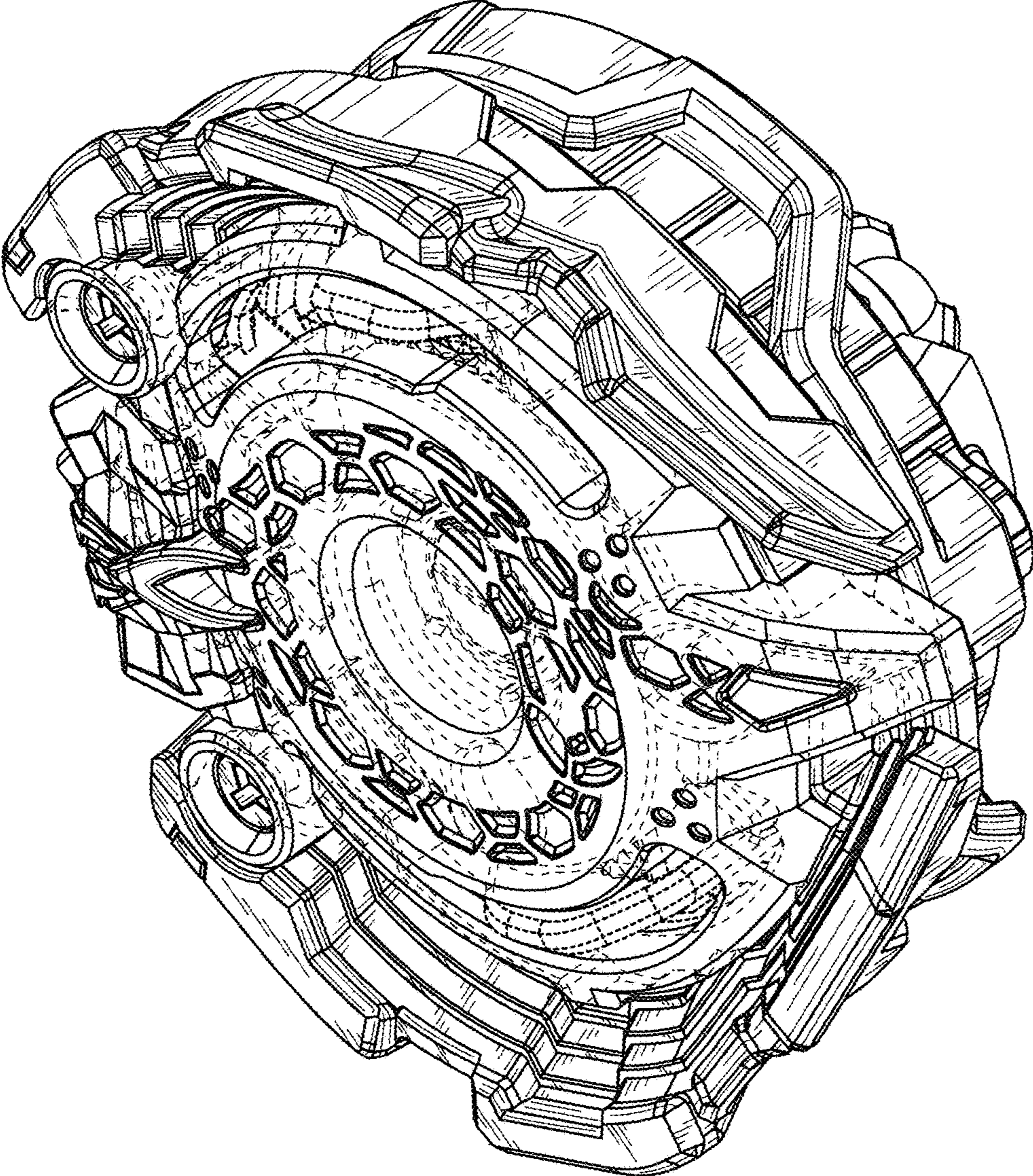


FIG. 7

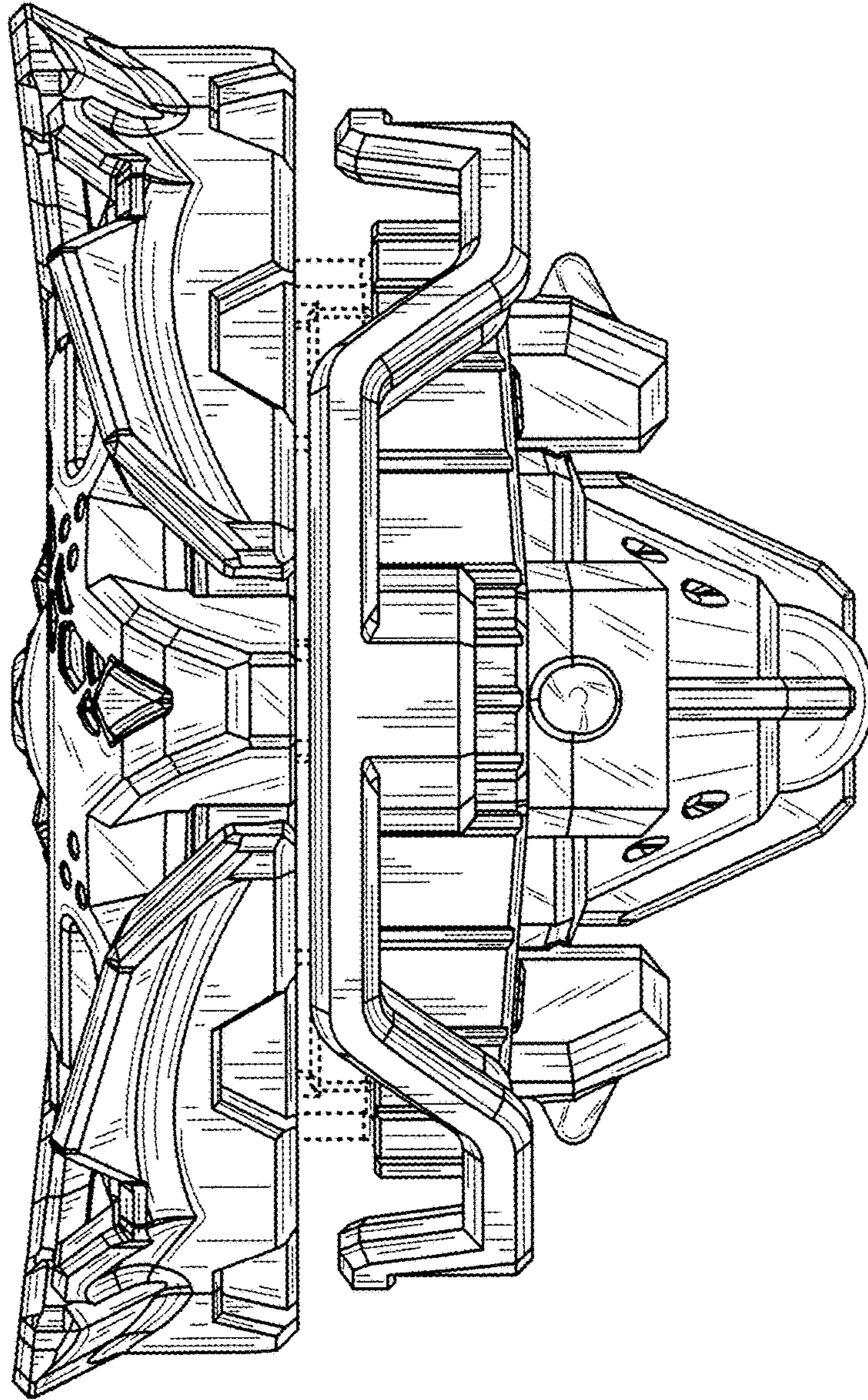


FIG.8

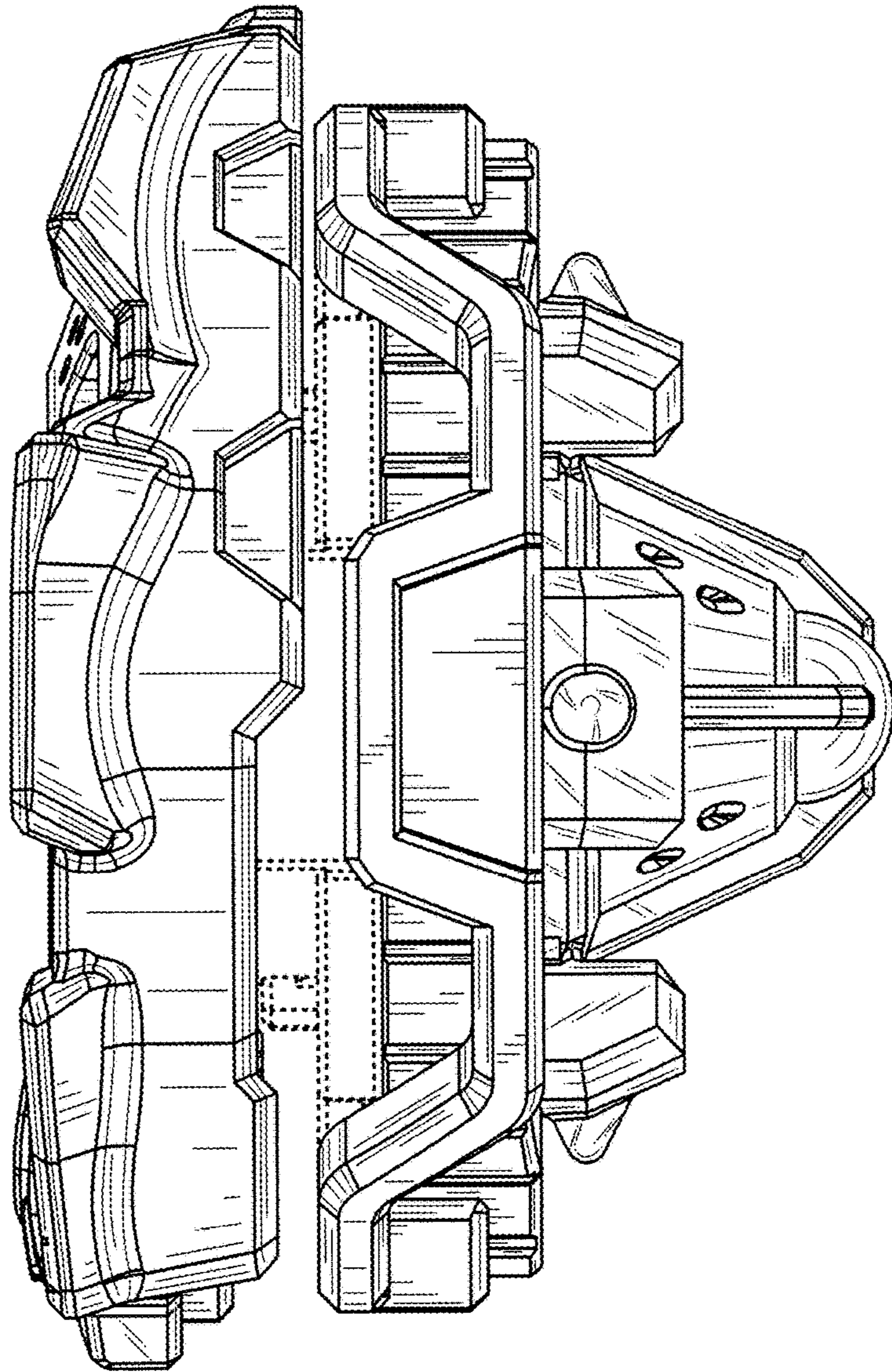


FIG.9

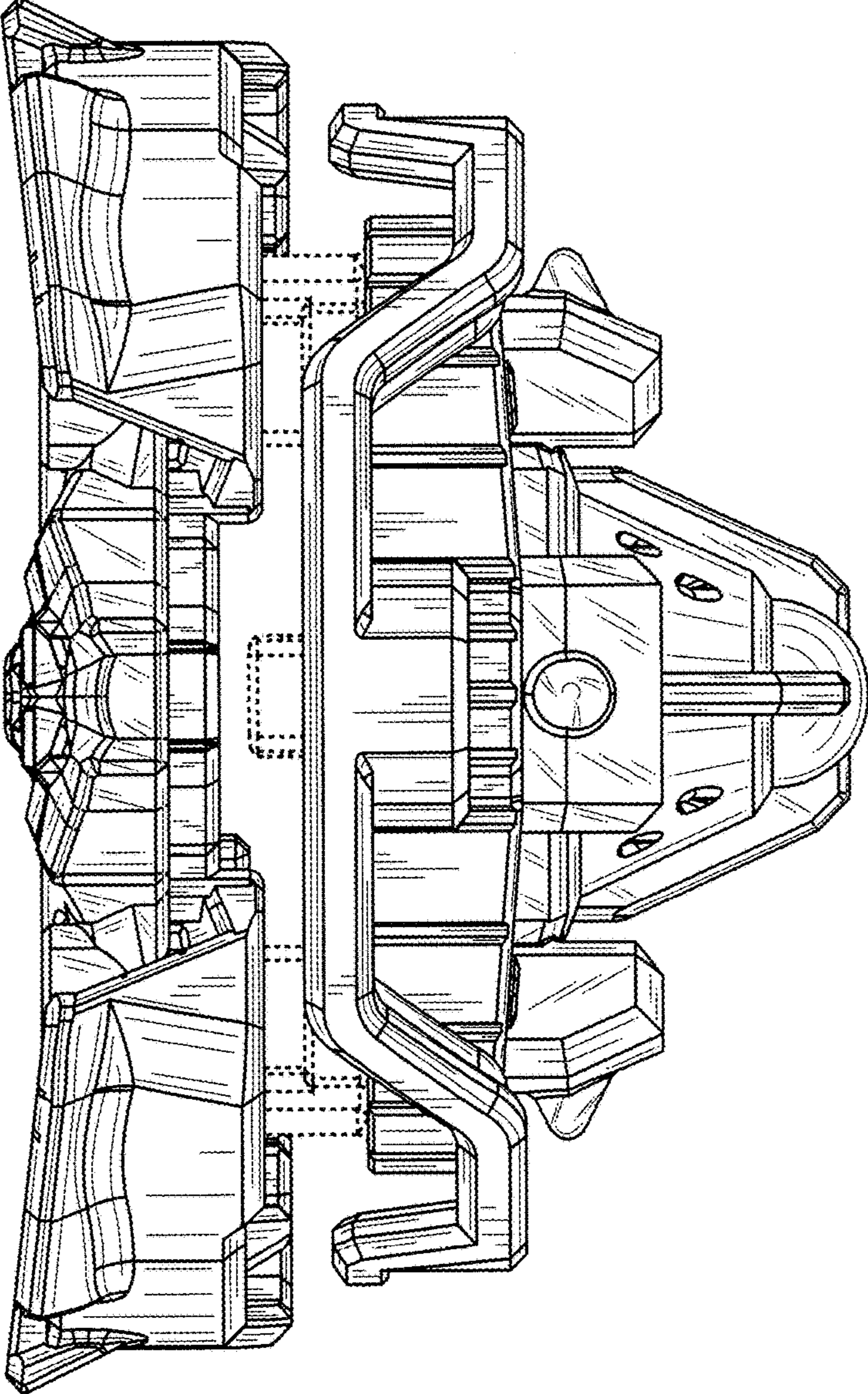


FIG.10

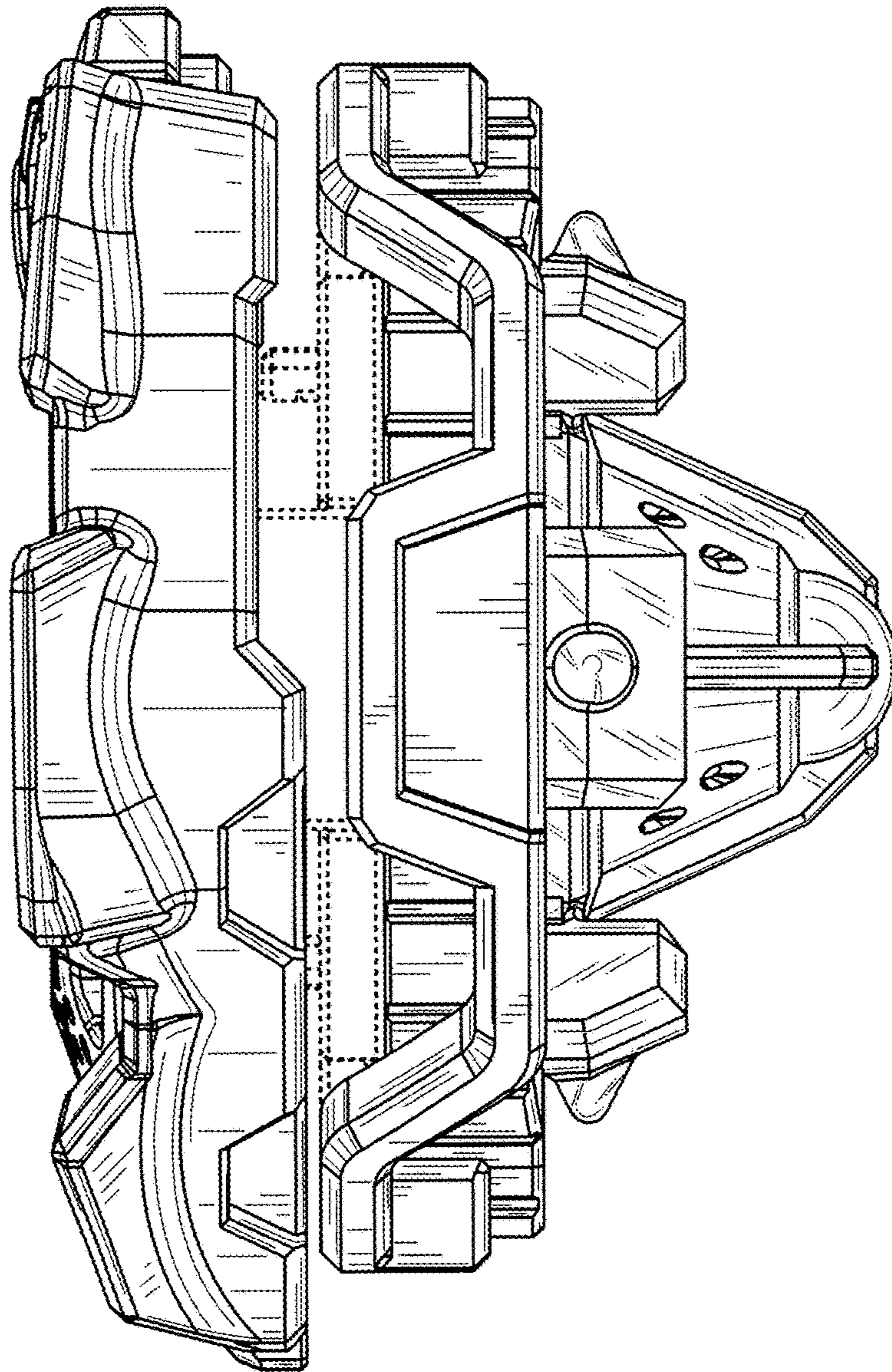


FIG.11

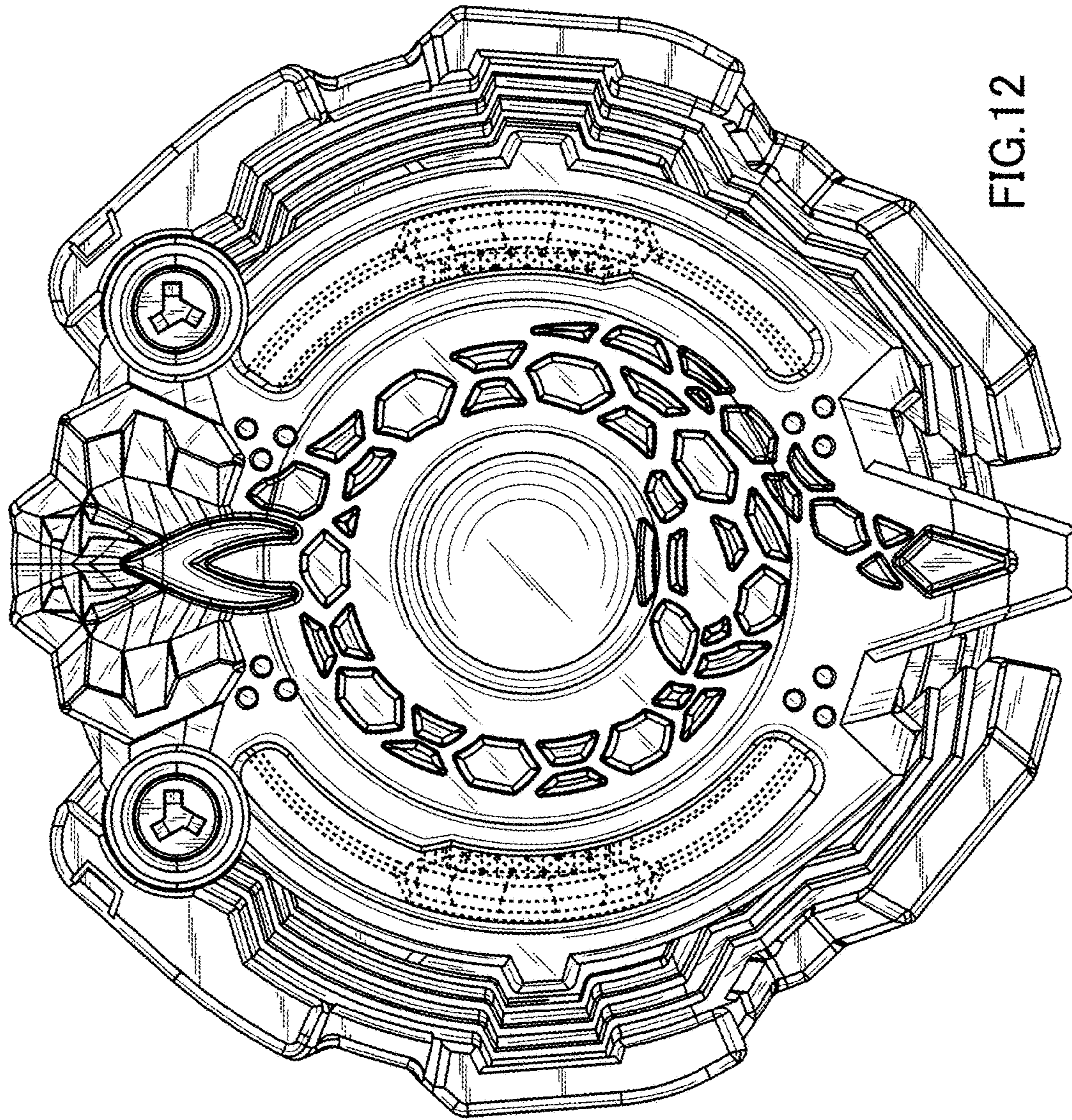


FIG.12

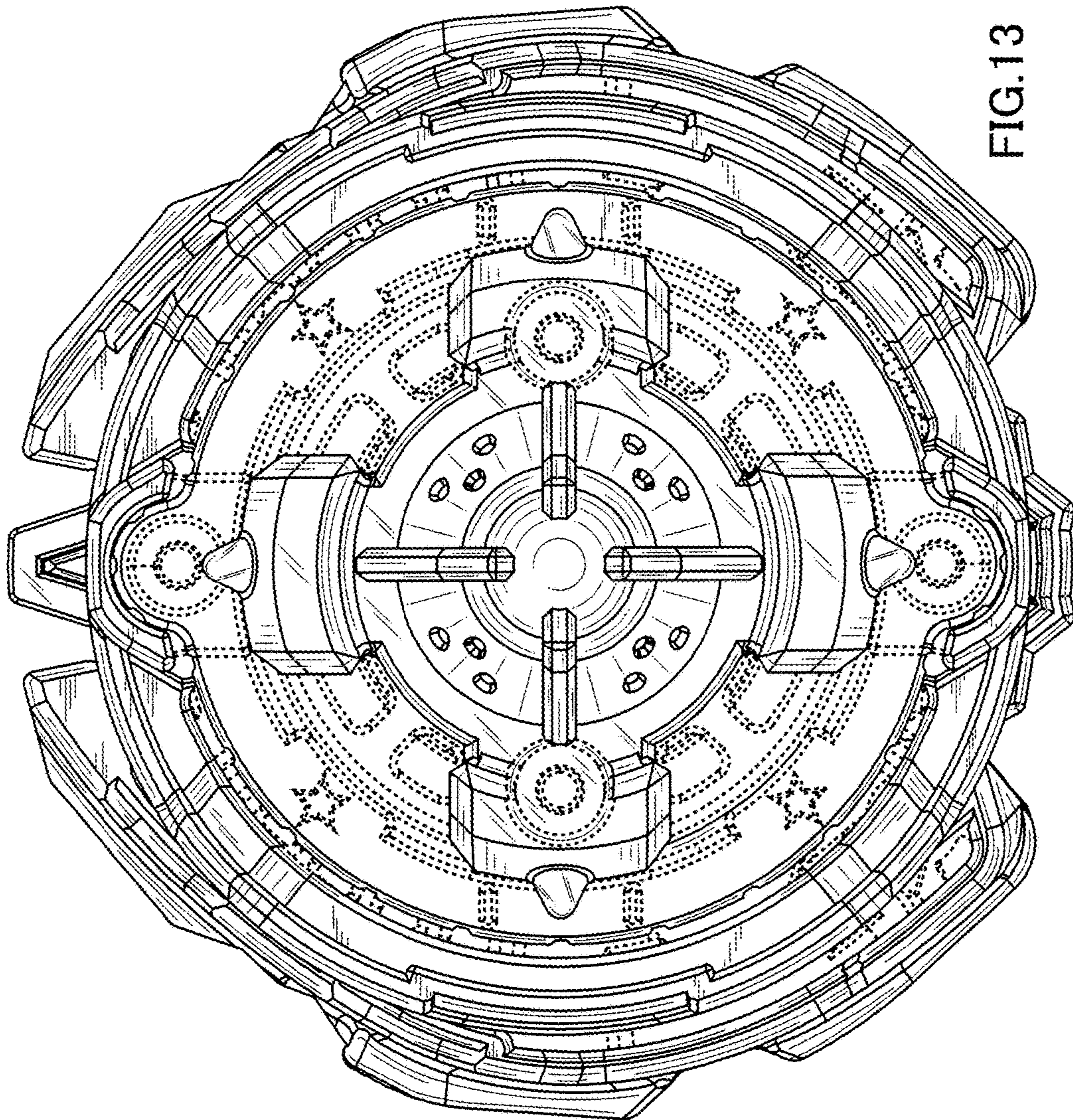


FIG.13

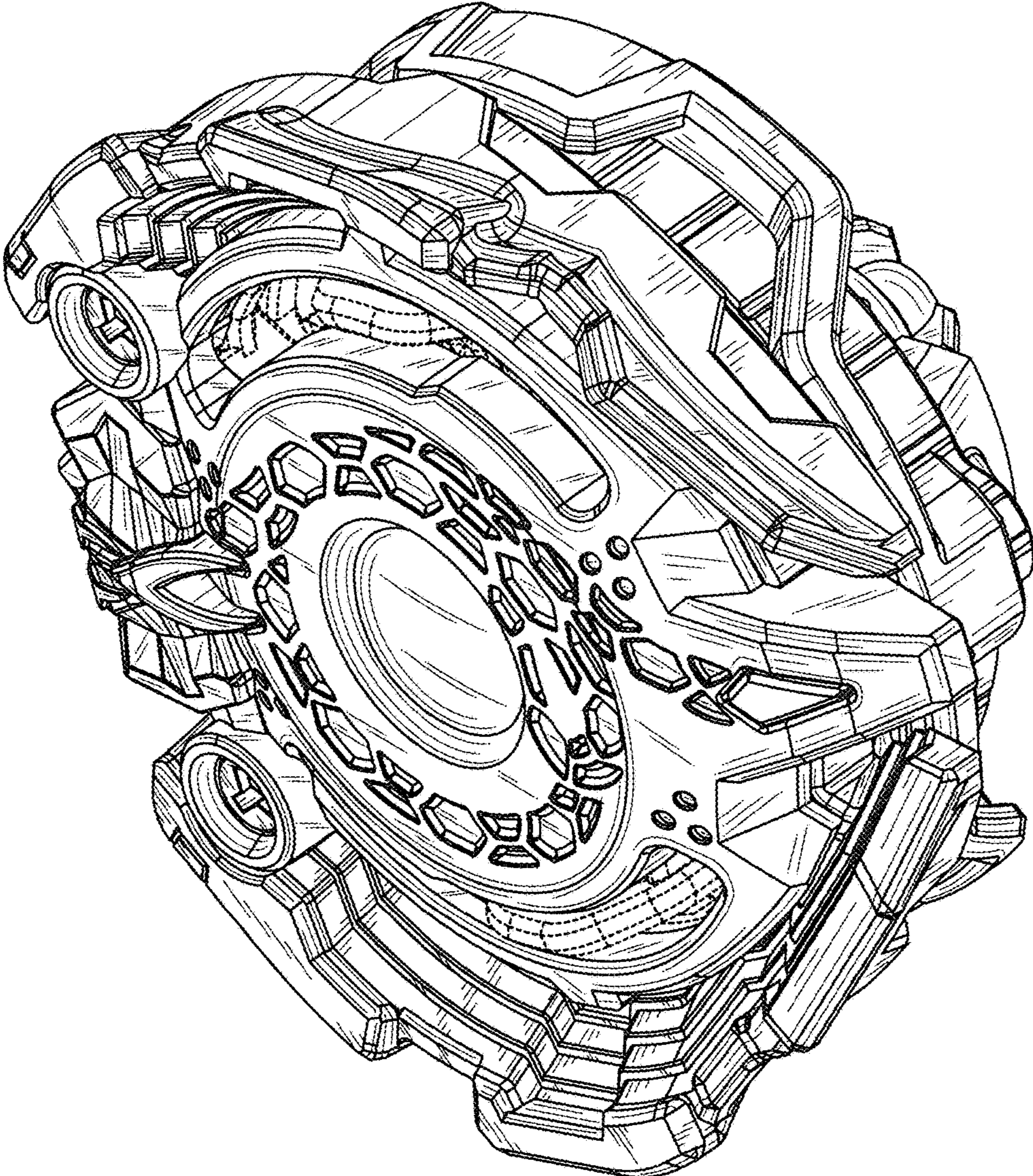


FIG. 14