



US00D848536S

(12) **United States Design Patent**
Lee et al.

(10) **Patent No.:** **US D848,536 S**
(45) **Date of Patent:** **** May 14, 2019**

(54) **SCOOTER**
(71) Applicant: **DONGGUAN HONG LIN INDUSTRIAL CO., LTD.**, Dongguan (CN)
(72) Inventors: **Ming-Hsien Lee**, Dongguan (CN); **Chang-Wei Lin**, Dongguan (CN); **Xian-Lei Zhang**, Dongguan (CN); **Xiang Dong Du**, Dongguan (CN)
(73) Assignee: **DONGGUAN HONG LIN INDUSTRIAL CO., LTD.**, Dongguan, Guangdong (CN)
(**) Term: **15 Years**
(21) Appl. No.: **29/632,874**
(22) Filed: **Jan. 10, 2018**

D438,912 S * 3/2001 Barrera D21/423
D497,397 S * 10/2004 Sramek D21/423
D497,957 S * 11/2004 Chuang D21/423
D645,522 S * 9/2011 Powers D21/423
D671,600 S * 11/2012 Home D21/423
D686,674 S * 7/2013 Hadley D21/423
D691,671 S * 10/2013 Chen D21/423
D692,963 S * 11/2013 Radtke D21/423
D693,414 S * 11/2013 Hadley D21/423
D710,949 S * 8/2014 Huang D21/423
D727,434 S * 4/2015 O'connell D21/423
D727,833 S * 4/2015 Talios D12/423
D728,033 S * 4/2015 O'connell D21/423
D736,324 S * 8/2015 Lu D21/423
D748,738 S * 2/2016 Hadley D21/423
D750,180 S * 2/2016 Edlauer D21/423
D756,464 S * 5/2016 Edlauer D21/423
D756,465 S * 5/2016 Byrne D21/423
D772,990 S * 11/2016 Allais D21/423
D774,145 S * 12/2016 Hadley D21/423
D777,261 S * 1/2017 Desberg D21/423
D777,844 S * 1/2017 O Connell D21/423

(Continued)

(30) **Foreign Application Priority Data**
Jul. 10, 2017 (TW) 106303912
(51) **LOC (11) Cl.** **21-01**
(52) **U.S. Cl.**
USPC **D21/423**
(58) **Field of Classification Search**
USPC D21/419, 421, 423, 426, 662, 760, 765, D21/766, 769, 771, 776, 803
CPC A63C 17/01; A63C 17/011; A63C 17/012; A63C 17/014; A63C 17/015; A63C 17/02; A63C 17/26; A63C 5/003; B60Q 1/326
See application file for complete search history.

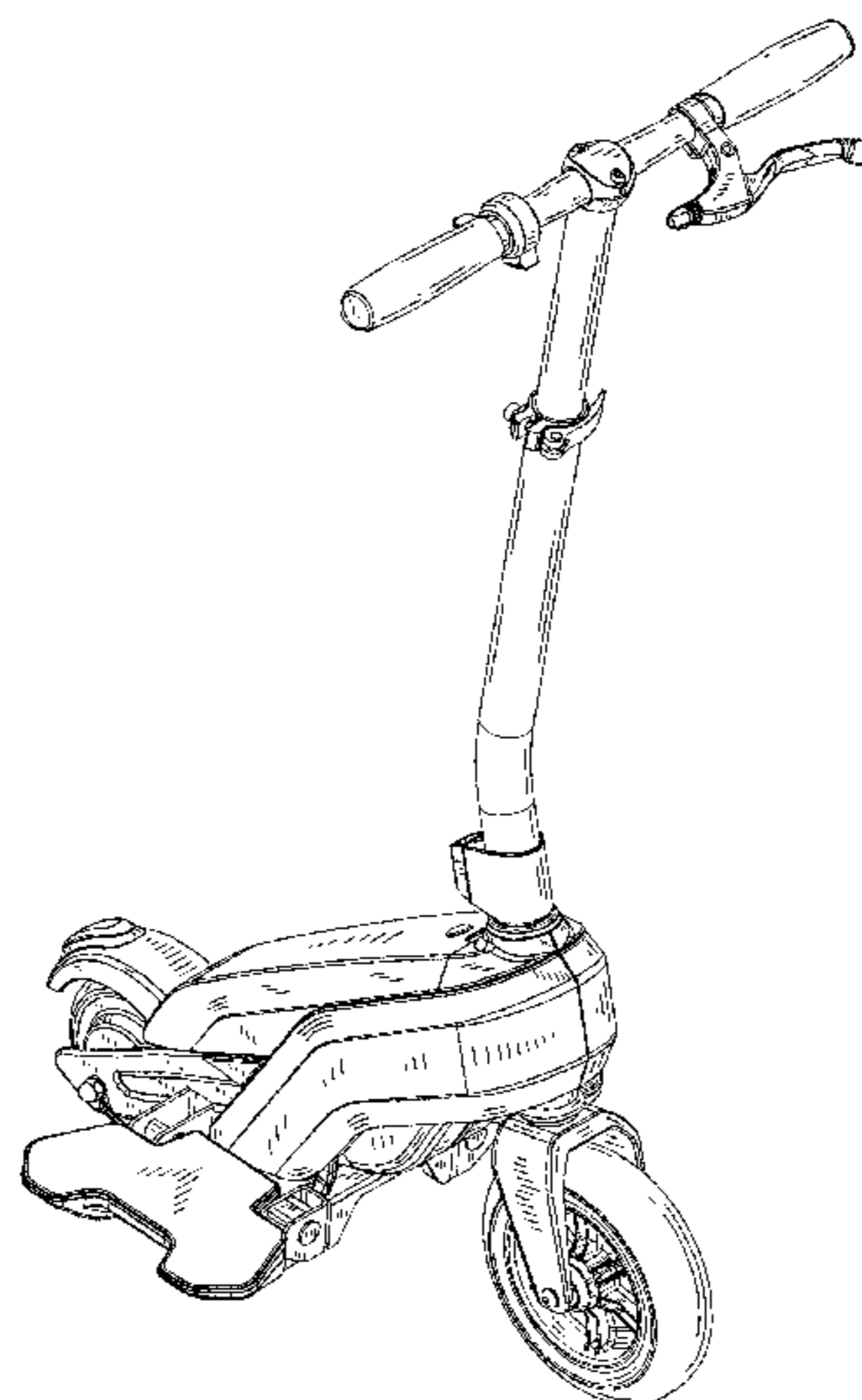
Primary Examiner — Robin V Webster
Assistant Examiner — Keith J Wilson
(74) *Attorney, Agent, or Firm* — Muncy Geissler, Olds & Lowe, P.C.

(56) **References Cited**
U.S. PATENT DOCUMENTS
D435,873 S * 1/2001 Lee D21/423
D435,874 S * 1/2001 Cheng D21/423
D438,911 S * 3/2001 Chen D21/423

(57) **CLAIM**
The ornamental design for a scooter, as shown and described.

DESCRIPTION
FIG. 1 is a perspective view of a scooter, showing the new design;
FIG. 2 is a front elevational view thereof;
FIG. 3 is a rear elevational view thereof;
FIG. 4 is a left side elevational view thereof;
FIG. 5 is a right side elevational view thereof;
FIG. 6 is a top plan view thereof; and,
FIG. 7 is a bottom plan view thereof.

1 Claim, 6 Drawing Sheets



(56)

References Cited

U.S. PATENT DOCUMENTS

D783,724 S *	4/2017	Pickavance	D12/192
D795,354 S *	8/2017	Desberg	D21/423
D806,176 S *	12/2017	Peng	D21/423
D810,836 S *	2/2018	Hadley	D21/423
D811,489 S *	2/2018	Hadley	D21/423
D815,215 S *	4/2018	Desberg	D21/423
D818,541 S *	5/2018	Huang	D21/423

* cited by examiner

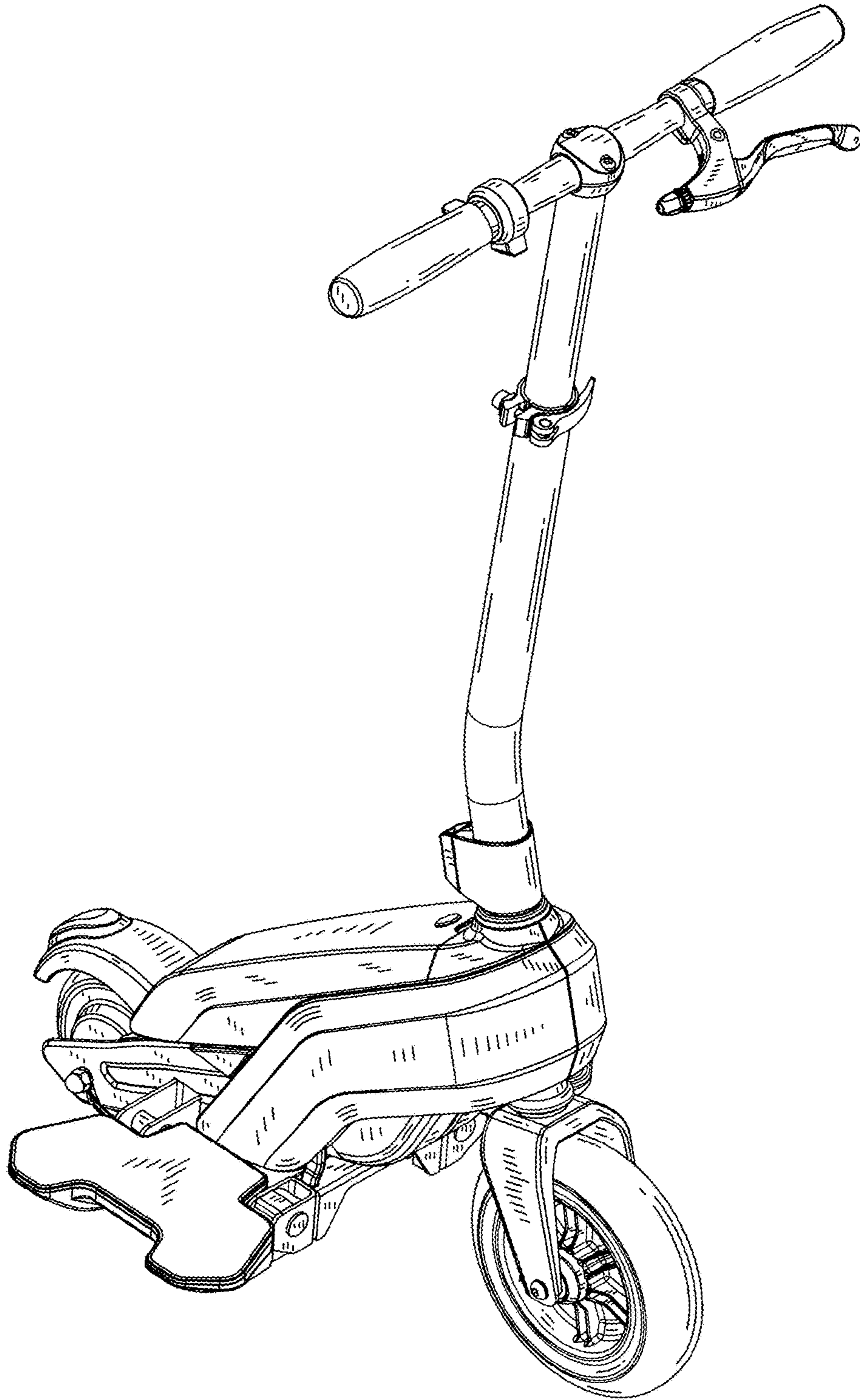


FIG. 1

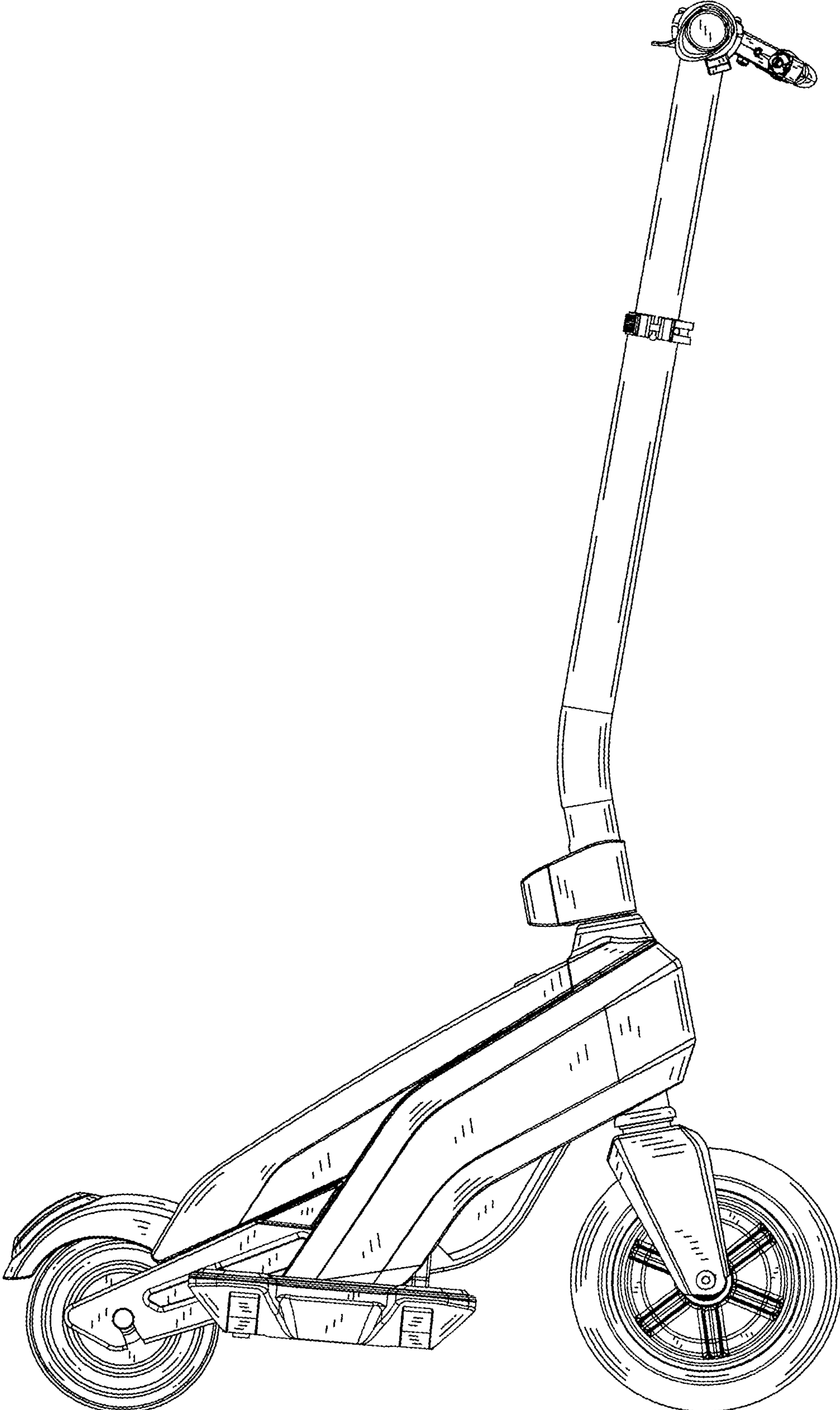


FIG. 2

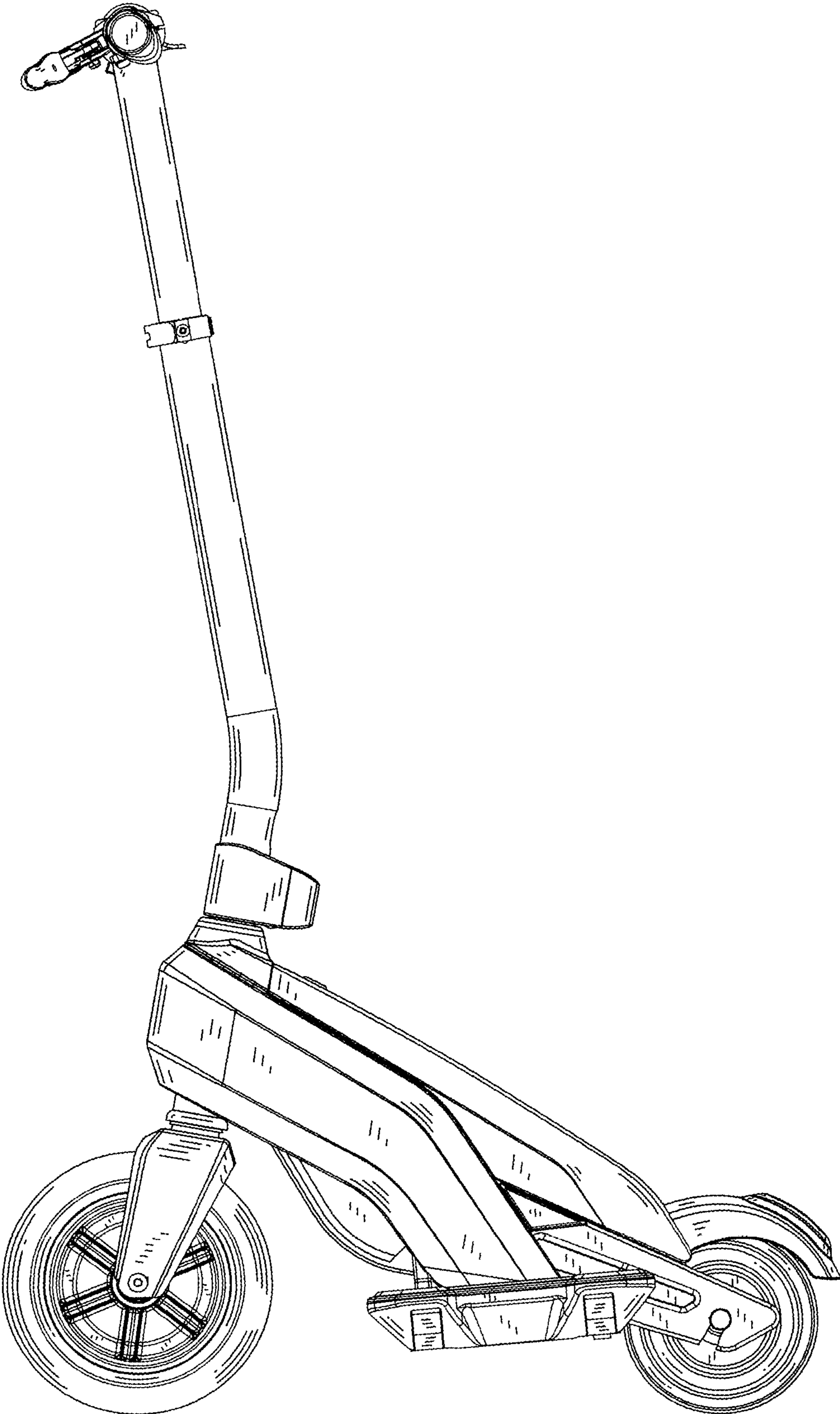


FIG. 3

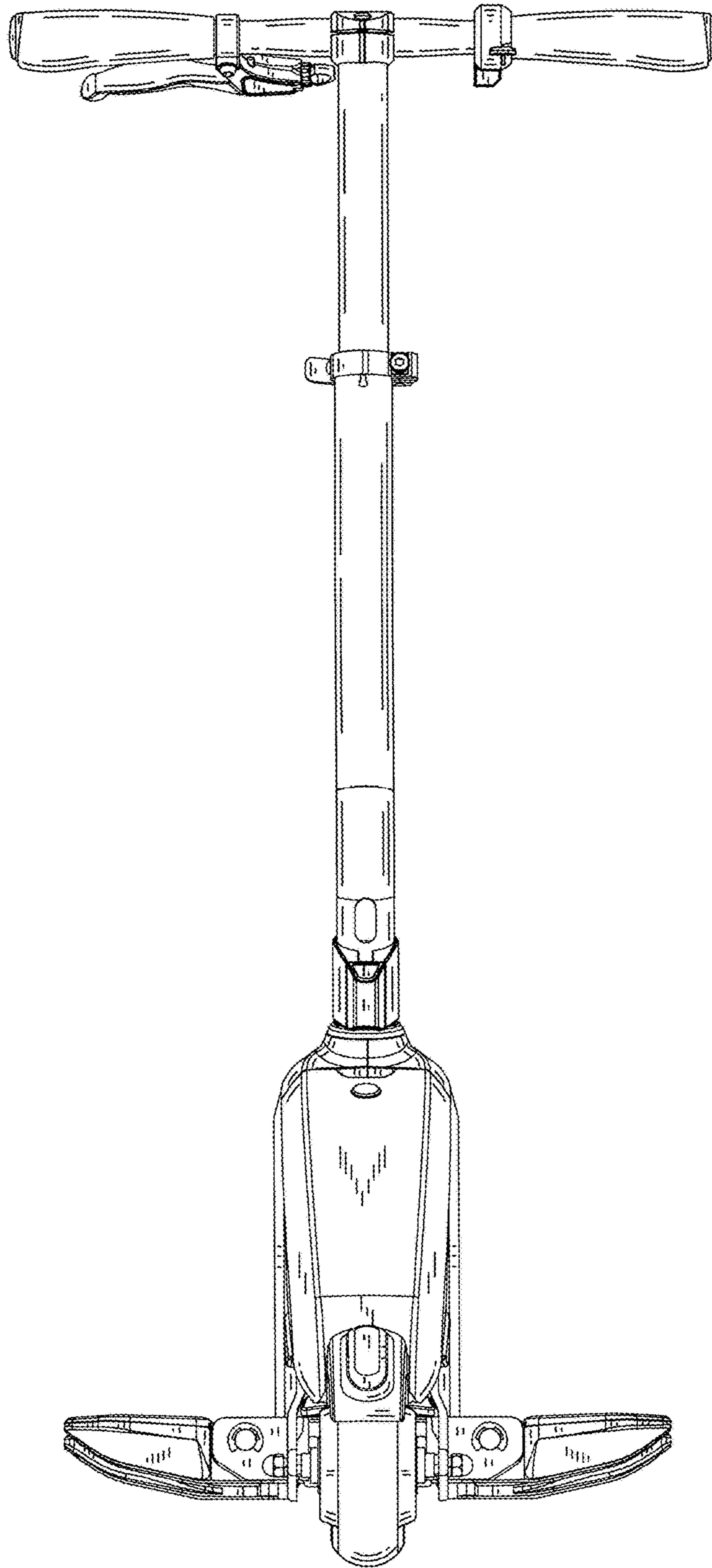


FIG. 4

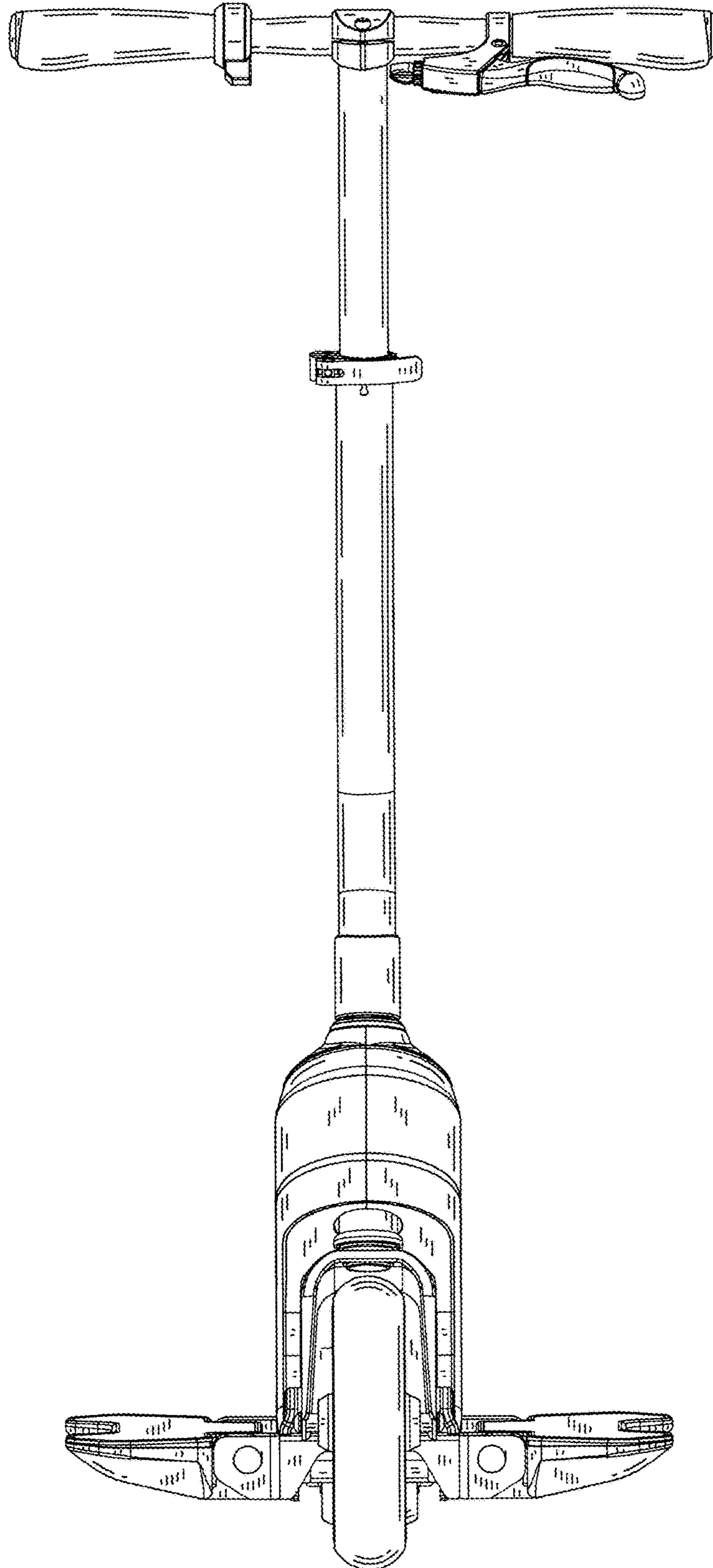


FIG. 5

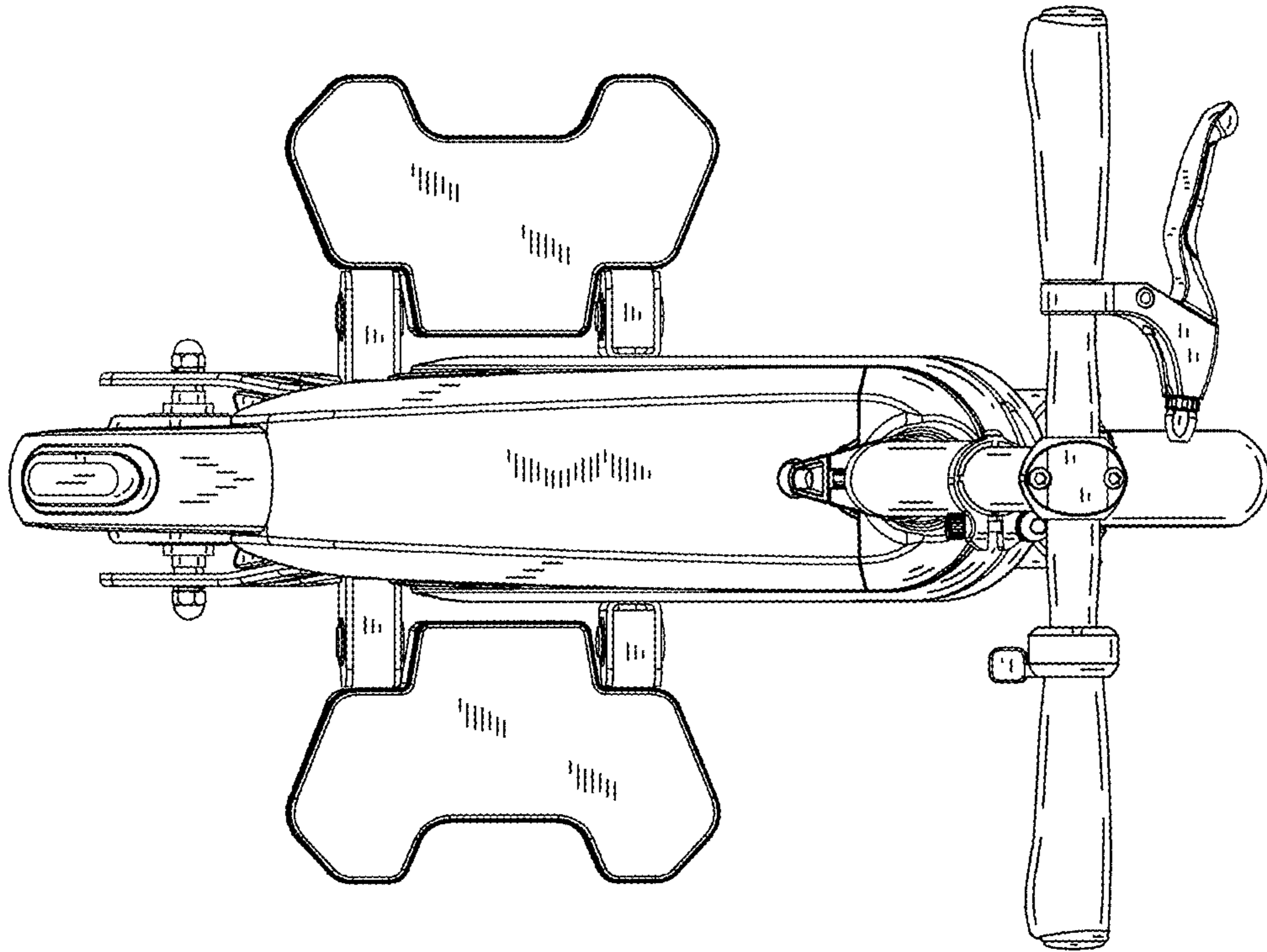


FIG. 6

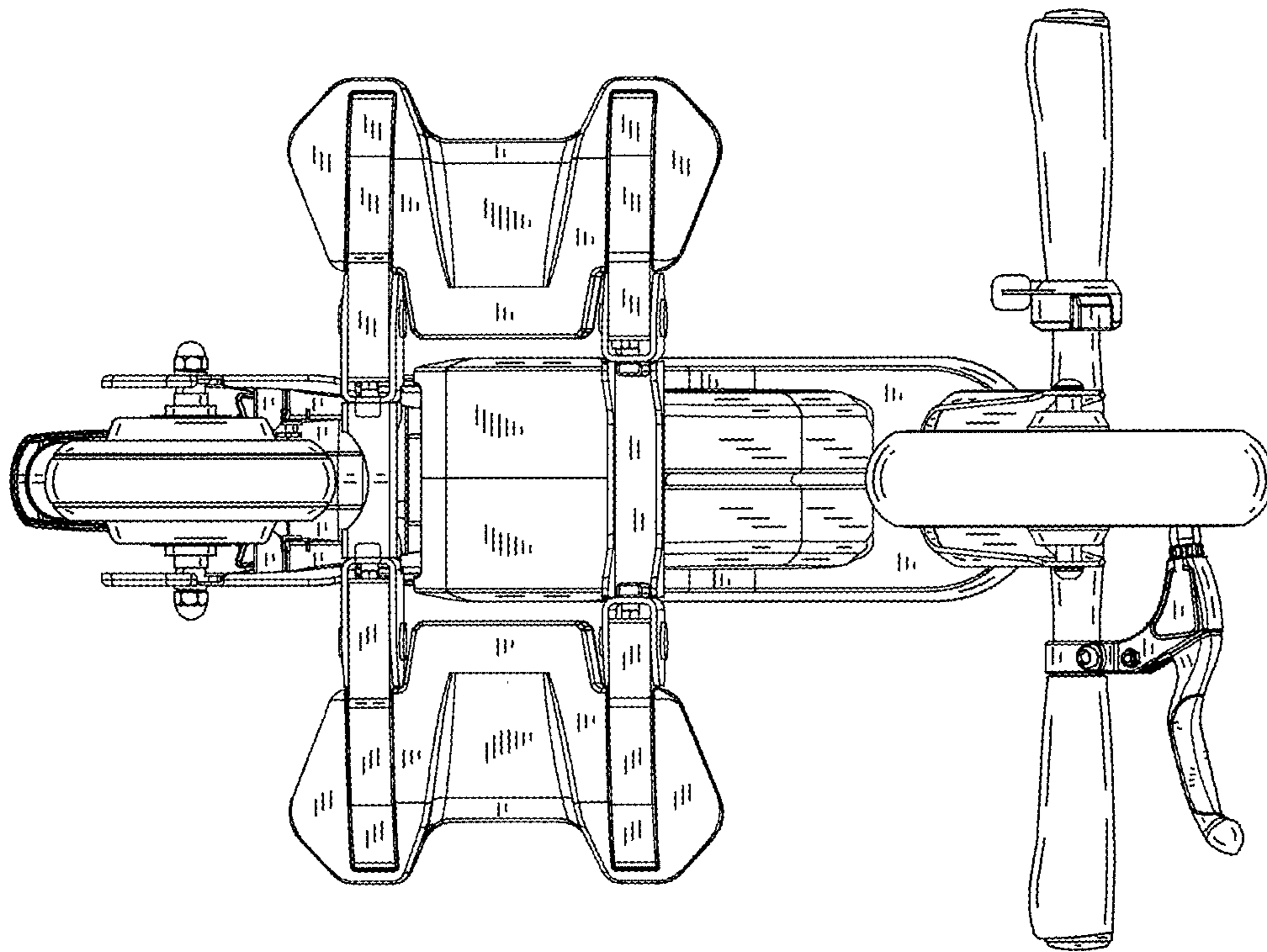


FIG. 7