



US00D848535S

(12) **United States Design Patent** (10) **Patent No.:** **US D848,535 S**
Conte et al. (45) **Date of Patent:** **** May 14, 2019**

(54) **ROULETTE EQUIPMENT**

(71) Applicant: **JJ GAMING S.R.L.**, Campione D'italia (IT)
(72) Inventors: **Pierangelo Conte**, Campione d'Italia (IT); **Toini Bruno**, Campione d'Italia (IT); **Toini Christian**, Campione d'Italia (IT)
(73) Assignee: **JJ GAMING S.R.L.**, Campione D'italia (IT)

(**) Term: **15 Years**

(21) Appl. No.: **35/504,331**

(22) Filed: **Jul. 17, 2017**

(80) **Hague Agreement Data**

Int. Filing Date: **Jul. 17, 2017**
Int. Reg. No.: **DM/097869**
Int. Reg. Date: **Jul. 17, 2017**
Int. Reg. Pub. Date: **Jan. 19, 2018**

(30) **Foreign Application Priority Data**

Jan. 17, 2017 (IT) 402017000004694

(51) **LOC (11) Cl.** **21-01**

(52) **U.S. Cl.**
USPC **D21/375**

(58) **Field of Classification Search**
USPC D21/300, 334-342, 345-349, 362, 363, D21/365-371, 374, 375
CPC .. A63F 5/00; A63F 5/0005; A63F 5/07; A63F 5/02; A63F 1/00; A63F 1/005; A63F 1/06; A63F 1/067

See application file for complete search history.

(56) **References Cited**

U.S. PATENT DOCUMENTS

5,437,452 A *	8/1995	Graf	A63F 5/00 273/142 E
5,540,442 A *	7/1996	Orselli	A63F 5/00 273/142 E
D392,341 S *	3/1998	Lindsay	A63F 5/00 D21/385
7,549,637 B2 *	6/2009	Lease	A63F 5/00 273/142 H
7,694,971 B2 *	4/2010	Sorge	A63F 5/00 273/138.1
7,789,746 B2 *	9/2010	Ike	A63F 5/00 273/142 E
D700,247 S *	2/2014	Au-Yeung	D21/369
8,651,484 B1 *	2/2014	Gould	A63F 5/046 273/142 D
D738,432 S *	9/2015	Cohen	A63F 5/00 D21/369
D738,433 S *	9/2015	Cohen	A63F 5/00 D21/369
2002/0167126 A1 *	11/2002	Herman De Raedt ...	A63F 5/00 273/142 E
2005/0288089 A1 *	12/2005	Cammegh	A63F 5/00 463/17

* cited by examiner

Primary Examiner — George D. Kirschbaum

Assistant Examiner — Joseph J Kukella

(74) *Attorney, Agent, or Firm* — Macheledt Bales LLP; Jennifer L. Bales

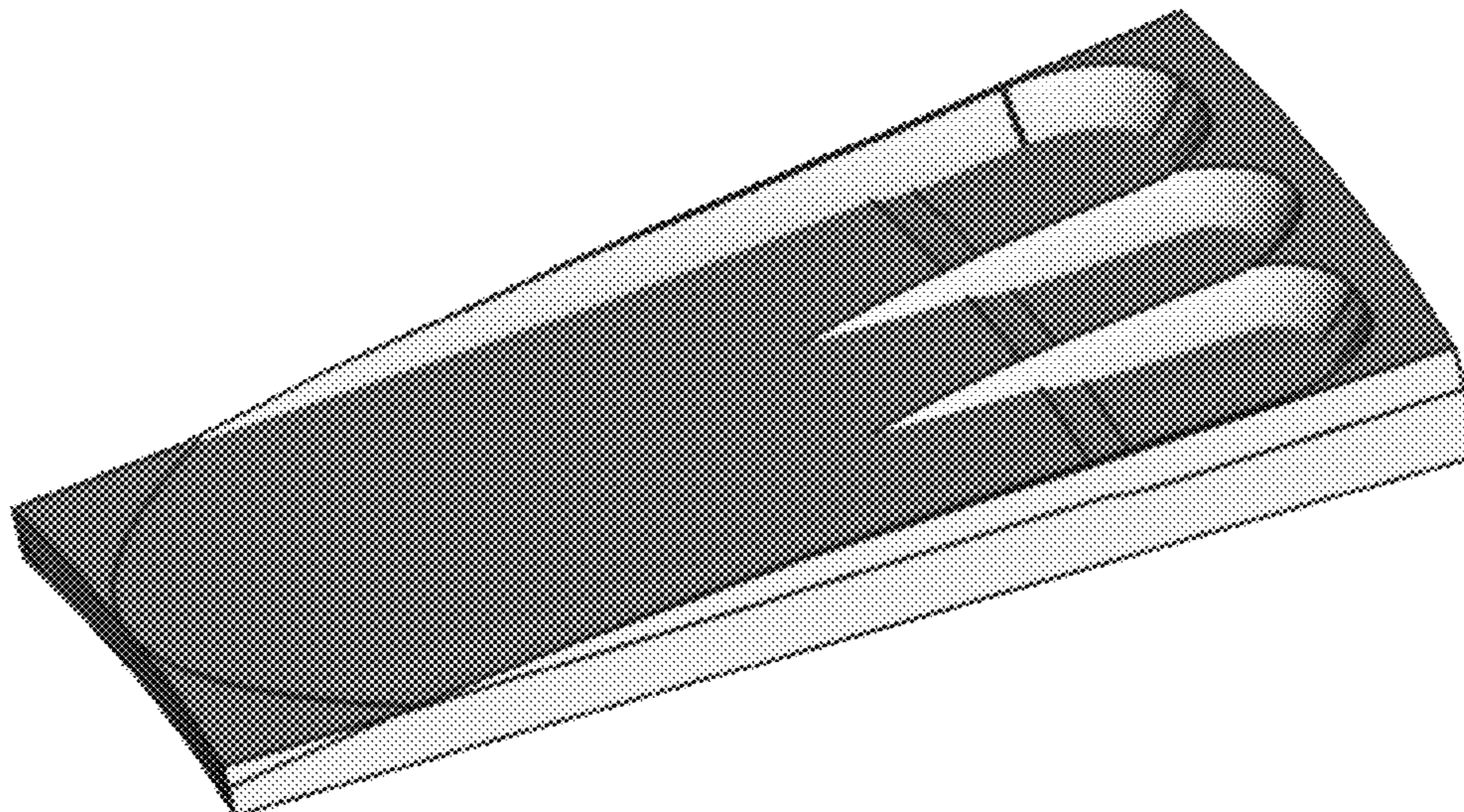
(57) **CLAIM**

The ornamental design for roulette equipment, as shown and described.

DESCRIPTION

2. Roulette Equipment
2.0 : Perspective

1 Claim, 1 Drawing Sheet



2.0

