



US00D848534S

(12) **United States Design Patent** (10) **Patent No.:** **US D848,534 S**
Calhoun et al. (45) **Date of Patent:** **** May 14, 2019**

(54) **GAME TOWER**

(71) Applicant: **AGS LLC**, Las Vegas, NV (US)

(72) Inventors: **Rachel Marie Calhoun**, Atlanta, GA (US); **Ian Robert Scott**, Duluth, GA (US); **Karl Frederick Zedell, Jr.**, Alpharetta, GA (US)

(73) Assignee: **AGS LLC**, Las Vegas, NV (US)

(**) Term: **15 Years**

(21) Appl. No.: **29/640,521**

(22) Filed: **Mar. 15, 2018**

Related U.S. Application Data

(63) Continuation of application No. 29/540,396, filed on Sep. 24, 2015, now Pat. No. Des. 813,954.

(51) **LOC (11) Cl.** **21-03**

(52) **U.S. Cl.**
USPC **D21/369**

(58) **Field of Classification Search**
USPC D21/369, 370, 371, 385, 329, 325, 394;
D14/307, 172, 129, 325, 401, 371, 126,
D14/439, 432, 450, 128, 375; 463/28,
463/13, 11, 16, 20, 25, 31, 46, 23, 30, 17,
463/36, 29, 42, 34, 32, 35, 19, 21, 22;
273/292, 203, 138.2, 143 R, 142 R, 138.1;
D19/60; D16/226; D8/335, 331, 334;
D26/14

CPC G07F 17/32; G07F 17/34; G07F 17/3211;
G07F 17/3244; G07F 17/3267

See application file for complete search history.

(56) **References Cited**

U.S. PATENT DOCUMENTS

D249,870 S * 10/1978 Tillander D27/188
4,440,457 A 4/1984 Fogelman et al.

D275,117 S 8/1984 Heywood
4,844,567 A 7/1989 Chalabian
4,918,579 A 4/1990 Bennett
D307,771 S 5/1990 Cesaroni et al.
5,057,827 A 10/1991 Nobile et al.
5,108,099 A 4/1992 Smyth
5,113,990 A 5/1992 Gabrius et al.
D333,164 S 2/1993 Kraft et al.
5,302,965 A 4/1994 Belcher et al.
D352,330 S * 11/1994 Smith D21/382
5,381,502 A 1/1995 Veligdan
5,521,587 A 5/1996 Sawabe et al.

(Continued)

OTHER PUBLICATIONS

Orion by AGS dated no date given. Found online [Sep. 12, 2017]
<http://www.playags.com/portfolio/orion/>.*

(Continued)

Primary Examiner — Ryan Harvey

(74) *Attorney, Agent, or Firm* — Weide & Miller, Ltd.

(57) **CLAIM**

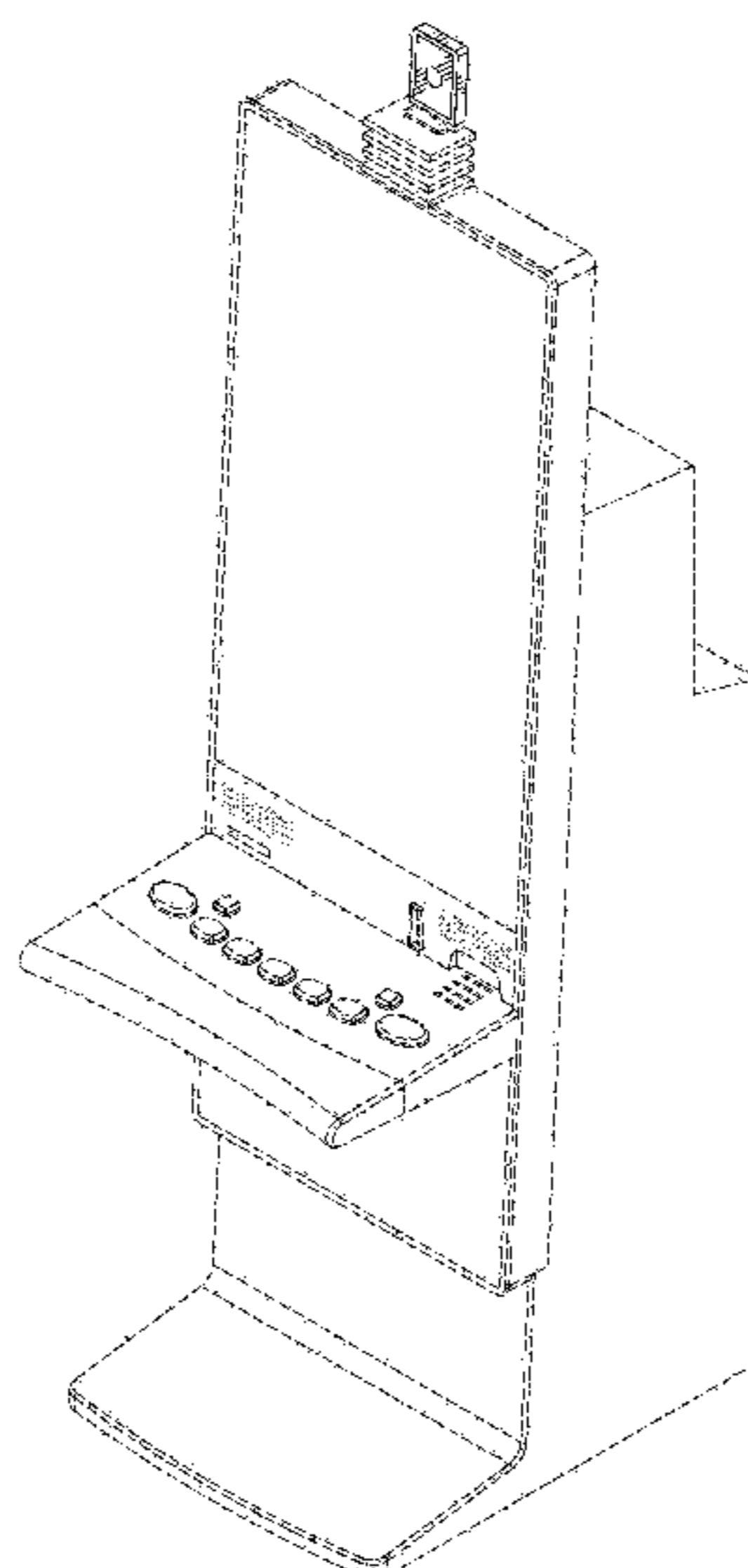
The ornamental design for a game tower, as shown and described.

DESCRIPTION

FIG. 1 is a front perspective view from above of the claimed design in an environment;
FIG. 2 is a front view of the claimed design of FIG. 1;
FIG. 3 is a rear view of the claimed design of FIG. 1;
FIG. 4 is a right side view of the claimed design of FIG. 1;
FIG. 5 is a left side view of the claimed design of FIG. 1;
FIG. 6 is a top plan view of the claimed design of FIG. 1;
and,
FIG. 7 is a bottom plan view of the claimed design of FIG. 1.

The broken line showing of portions of the game tower depicts environment and forms no part of the claim.

1 Claim, 6 Drawing Sheets



(56)

References Cited

U.S. PATENT DOCUMENTS

D373,809 S	9/1996	Hirato	D535,338 S	1/2007	Linard et al.
5,561,346 A	10/1996	Byrne	7,178,941 B2	2/2007	Roberge et al.
D378,604 S	3/1997	Brettschneider	7,213,941 B2	5/2007	Sloan et al.
D380,014 S	6/1997	Yang	7,237,925 B2	7/2007	Mayer et al.
D381,697 S	7/1997	Brettschneider	7,284,876 B2	10/2007	Ericson
D381,700 S	7/1997	Brettschneider	D554,708 S	11/2007	Gutknecht et al.
5,670,971 A	9/1997	Tokimoto et al.	D557,348 S	12/2007	Gutknecht et al.
D386,796 S	11/1997	Komori	D559,917 S	1/2008	Cole
D388,469 S	12/1997	Dickenson et al.	D560,724 S	1/2008	Johnson
5,695,402 A	12/1997	Stupak	D560,725 S	1/2008	Johnson
5,813,914 A	9/1998	McKay et al.	7,331,694 B2	2/2008	Lee et al.
5,818,401 A	10/1998	Wang	D563,481 S	3/2008	Looks et al.
5,826,882 A	10/1998	Ward	D564,601 S	3/2008	Strahinic et al.
5,836,819 A	11/1998	Ugawa	7,339,782 B1	3/2008	Landes et al.
D407,758 S	4/1999	Isetani et al.	D566,197 S	4/2008	Greenberg et al.
D410,039 S *	5/1999	McClellan D21/376	7,355,573 B2	4/2008	Ogawa
D413,635 S	9/1999	Taylor	7,364,505 B2	4/2008	Malice et al.
D421,631 S	3/2000	Tsuda	7,367,145 B2	5/2008	Mou
D424,122 S	5/2000	Dickenson et al.	7,367,685 B2	5/2008	Moll
6,068,101 A	5/2000	Dickenson et al.	7,390,257 B2	6/2008	Paulsen et al.
D428,062 S	7/2000	Hayashi	D573,200 S	7/2008	Hashimoto et al.
6,095,526 A	8/2000	Cook, II	D573,201 S	7/2008	Hashimoto et al.
6,135,884 A	10/2000	Hedrick et al.	7,397,387 B2	7/2008	Suzuki et al.
6,164,645 A	12/2000	Weiss	7,423,864 B2	9/2008	Kim et al.
D436,380 S	1/2001	Brettschneider	7,442,125 B2	10/2008	Paulsen et al.
6,176,584 B1	1/2001	Best et al.	7,476,154 B2	1/2009	Kogo et al.
6,183,109 B1	2/2001	Nelson et al.	D586,866 S	2/2009	Hsu
6,186,645 B1	2/2001	Camarota	7,506,463 B2	3/2009	Hoist
6,201,703 B1	3/2001	Yamada et al.	7,506,997 B1	3/2009	Eriksson
D439,931 S	4/2001	Yamaguchi	7,513,830 B2	4/2009	Hajder et al.
D442,640 S	5/2001	Hayashi	D592,053 S *	5/2009	Suzuki D9/418
6,265,984 B1	7/2001	Molinaroli	D592,709 S	5/2009	McComb et al.
D446,252 S	8/2001	Yamaguchi	D599,859 S	9/2009	Lesley et al.
D447,052 S *	8/2001	Goserud D9/418	D602,772 S *	10/2009	Suzuki D9/434
6,278,419 B1	8/2001	Malkin	D603,909 S	11/2009	De Viveiros Ortiz
6,283,608 B1	9/2001	Straat	D604,368 S	11/2009	Lesley et al.
6,319,125 B1	11/2001	Acres	D605,231 S	12/2009	Hashimoto et al.
6,332,690 B1	12/2001	Murofushi	7,641,554 B2	1/2010	Paulsen et al.
6,334,612 B1	1/2002	Wurz et al.	D610,447 S *	2/2010	Seum D9/418
D456,750 S *	5/2002	McWilliams D12/114	7,654,899 B2	2/2010	Durham et al.
D459,402 S	6/2002	Wurz et al.	7,667,891 B2	2/2010	Cok et al.
D460,915 S	7/2002	Lynch	D613,802 S	4/2010	Meyers et al.
6,443,837 B1	9/2002	Jaffe et al.	D615,598 S	5/2010	McComb et al.
D464,377 S	10/2002	Wurz et al.	D616,039 S	5/2010	Bruzzese et al.
D466,160 S	11/2002	Hirato et al.	7,708,640 B2	5/2010	Burak et al.
6,475,087 B1	11/2002	Cole	D619,177 S	7/2010	Lee
D471,594 S	3/2003	Nojo	D619,660 S	7/2010	Cole et al.
6,577,286 B1	6/2003	Jang	D622,323 S	8/2010	De Viveiros Ortiz
6,578,847 B1	6/2003	Hedrick et al.	7,803,053 B2	9/2010	Atkinson
6,579,174 B1	6/2003	Lane et al.	D626,182 S	10/2010	Cole et al.
6,592,238 B2	7/2003	Cleaver et al.	D626,183 S	10/2010	Cole et al.
D481,078 S	10/2003	Stephan	D627,008 S	11/2010	Bruzzese et al.
6,641,484 B2	11/2003	Oles et al.	7,826,006 B2	11/2010	Koganezawa
6,682,418 B1	1/2004	Mendes et al.	7,828,461 B2	11/2010	Mayer et al.
6,702,409 B2	3/2004	Hedrick et al.	7,833,102 B2	11/2010	Beadell et al.
D489,417 S	5/2004	Munoz et al.	D632,342 S	2/2011	Wen
6,776,504 B2	8/2004	Sloan et al.	D633,950 S	3/2011	Terpstra et al.
D495,754 S	9/2004	Wurz et al.	7,927,218 B2	4/2011	Kopera et al.
D495,755 S	9/2004	Wurz et al.	7,966,485 B2	6/2011	Chen et al.
D496,407 S	9/2004	Gadda et al.	D646,336 S	10/2011	Kelly et al.
D498,267 S	11/2004	Crouch	D649,605 S	11/2011	Terpstra et al.
D499,019 S *	11/2004	Sagmeister D9/418	8,054,243 B2	11/2011	Sokolov et al.
6,834,979 B1	12/2004	Cleaver et al.	8,075,385 B2	12/2011	Jackson
6,860,814 B2	3/2005	Cole	8,241,124 B2	8/2012	Kelly et al.
6,897,624 B2	5/2005	Lys et al.	8,272,957 B2	9/2012	Crowder, Jr. et al.
6,899,626 B1	5/2005	Luciano et al.	D668,140 S *	10/2012	Collins D9/423
6,906,860 B2	6/2005	Starkweather	D668,533 S *	10/2012	Collins D9/423
D508,268 S	8/2005	Hanchar et al.	D671,425 S *	11/2012	Huljak D9/418
D508,961 S	8/2005	Gatto et al.	D673,619 S *	1/2013	Seelig D21/369
6,948,829 B2	9/2005	Verdes et al.	D673,620 S *	1/2013	Johnson D21/369
D513,044 S	12/2005	Morrison	D673,621 S *	1/2013	Johnson D21/369
6,997,810 B2	2/2006	Cole	D677,736 S	3/2013	Dorn et al.
7,014,563 B2	3/2006	Stephan et al.	D678,761 S *	3/2013	Cooper D9/418
D525,664 S	7/2006	Cole	8,430,756 B2	4/2013	McComb et al.
7,123,811 B1	10/2006	Chen et al.	D684,216 S	6/2013	Terpstra et al.
			D684,637 S	6/2013	Shelley et al.
			D685,033 S	6/2013	Wudtke
			D685,435 S	7/2013	Hohman et al.
			8,550,913 B2	10/2013	Kelly et al.

(56)

References Cited

U.S. PATENT DOCUMENTS

D696,109 S *	12/2013	Wilker	D9/418	2006/0131810 A1	6/2006	Nicely	
D697,558 S	1/2014	Myers et al.		2006/0183552 A1	8/2006	DiMichele	
8,651,963 B1	2/2014	Thompson		2006/0205498 A1	9/2006	Kogo et al.	
D701,114 S *	3/2014	Baumwald	D9/418	2007/0010318 A1	1/2007	Rigsby et al.	
D704,273 S	5/2014	Chudek		2007/0035965 A1	2/2007	Hoist	
D705,872 S	5/2014	Ortiz		2007/0060387 A1	3/2007	Enzminger et al.	
D706,741 S	6/2014	Myers		2007/0149291 A1	6/2007	Mitchell	
D707,646 S	6/2014	Kim et al.		2007/0159820 A1	7/2007	Crandell et al.	
D708,676 S	7/2014	Ballman et al.		2007/0171640 A1	7/2007	Sloan et al.	
D711,365 S *	8/2014	Miles	D14/253	2007/0197301 A1	8/2007	Cole	
8,814,707 B2	8/2014	Slattery		2007/0225079 A1	9/2007	Cole	
D712,975 S	9/2014	Lesley et al.		2007/0287527 A1	12/2007	Tanabe et al.	
8,827,819 B2	9/2014	Thompson		2007/0287528 A1	12/2007	Hirato et al.	
D714,875 S	10/2014	Wudtke et al.		2007/0287544 A1	12/2007	Hirato et al.	
D715,364 S	10/2014	Wudtke et al.		2008/0020838 A1	1/2008	Slattery	
8,851,989 B2 *	10/2014	Rosander	G07F 17/3216 463/31	2008/0076553 A1	3/2008	Paulsen et al.	
D719,615 S	12/2014	Inoue et al.		2008/0113794 A1 *	5/2008	Cole	G07F 17/32 463/31
D719,616 S	12/2014	Inoue et al.		2008/0119288 A1	5/2008	Rasmussen	
D720,211 S *	12/2014	Brown	D9/418	2008/0186415 A1	8/2008	Boud et al.	
D721,766 S	1/2015	Ferrazoli		2008/0194313 A1	8/2008	Walker	
D721,767 S	1/2015	Ferrazoli		2008/0227522 A1	9/2008	Toyoda	
D723,022 S *	2/2015	Miles	D14/253	2008/0248852 A1	10/2008	Rasmussen	
D723,626 S *	3/2015	Vasquez	D21/370	2008/0268949 A1	10/2008	Dell	
8,974,297 B2	3/2015	Massing et al.		2009/0011839 A1	1/2009	Cole	
D727,431 S	4/2015	Themann		2009/0036208 A1	2/2009	Pennington et al.	
D730,993 S	6/2015	Castro et al.		2009/0045723 A1	2/2009	Ishikawa	
D732,520 S	6/2015	Themann		2009/0179597 A1	7/2009	Salmon	
D733,088 S *	6/2015	Garneau	D14/172	2009/0247261 A1	10/2009	Koami	
9,064,372 B2	6/2015	Rasmussen et al.		2009/0275389 A1	11/2009	Englman et al.	
D740,887 S	10/2015	Randazzo		2010/0016084 A1	1/2010	Bleich et al.	
D740,888 S	10/2015	DePalma et al.		2010/0020546 A1	1/2010	Kukita	
D742,974 S	11/2015	Lesley		2010/0120518 A1	5/2010	Borissov et al.	
D745,093 S	12/2015	Weiss et al.		2010/0120541 A1	5/2010	Lesley	
D756,236 S *	5/2016	DePaz	D9/418	2010/0137060 A1	6/2010	Cole	
D760,846 S	7/2016	Castro et al.		2011/0118034 A1	5/2011	Jaffe et al.	
D762,613 S *	8/2016	Garneau	D14/172	2011/0136573 A1	6/2011	McComb et al.	
D763,361 S *	8/2016	Rosander	D21/370	2011/0195775 A1	8/2011	Wells	
D765,908 S *	9/2016	Zahr	D27/187	2011/0319152 A1	12/2011	Ross et al.	
RE46,169 E	10/2016	Kelly et al.		2012/0178523 A1	7/2012	Greenberg et al.	
D770,090 S *	10/2016	Zahr	D27/187	2013/0084948 A1 *	4/2013	Watkins	G07F 17/3276 463/23
9,478,097 B2	10/2016	Hennessy et al.		2014/0132891 A1	5/2014	Tohyama et al.	
9,504,919 B2	11/2016	Taylor et al.		2014/0206432 A1	7/2014	Radek et al.	
D776,801 S	1/2017	Tamura et al.		2014/0250409 A1	9/2014	Shah et al.	
9,573,050 B2	2/2017	Thompson et al.		2014/0256409 A1	9/2014	Wood et al.	
9,679,435 B2	6/2017	Schrementi et al.		2014/0268876 A1	9/2014	Lee et al.	
9,711,001 B2	7/2017	Zedell, Jr. et al.		2014/0323212 A1	10/2014	Thompson et al.	
9,745,107 B2 *	8/2017	Zahr	B65D 50/046	2015/0087403 A1	3/2015	Castro et al.	
D798,389 S	9/2017	Weiss et al.		2015/0141113 A1	5/2015	Melnick et al.	
D801,437 S	10/2017	Hohman		2015/0269810 A1	9/2015	Wolf et al.	
D803,323 S	11/2017	Bussey et al.		2015/0336005 A1	11/2015	Melnick et al.	
D803,324 S	11/2017	Bussey et al.		2017/0178443 A1	6/2017	Calhoun et al.	
D812,146 S	3/2018	Castro et al.		2017/0178444 A1	6/2017	Lee et al.	
D812,147 S	3/2018	Castro et al.		2018/0078854 A1	3/2018	Achmueller et al.	
D812,148 S	3/2018	Castro et al.		2018/0082523 A1 *	3/2018	Palermo	G07F 17/3216
D812,149 S	3/2018	Castro et al.					
D813,954 S	3/2018	Calhoun et al.					
D820,915 S *	6/2018	Lee	D21/369				
D822,117 S	7/2018	Costa					
D833,534 S *	11/2018	Lee	D21/369				
D834,652 S *	11/2018	Lee	D21/369				
2003/0064814 A1	4/2003	Stephan et al.					
2004/0001335 A1	1/2004	Wu					
2004/0053663 A1	3/2004	Paulsen et al.					
2004/0053699 A1	3/2004	Rasmussen et al.					
2004/0224776 A1	11/2004	Nagano					
2004/0229698 A1	11/2004	Lind et al.					
2005/0059486 A1	3/2005	Kaminkow					
2005/0130746 A1	6/2005	Stephenson, III et al.					
2005/0215325 A1	9/2005	Nguyen et al.					
2005/0261057 A1	11/2005	Bleich et al.					
2006/0030412 A1	2/2006	Cole					
2006/0073900 A1	4/2006	Cole					
2006/0094511 A1	5/2006	Roireau					
2006/0100013 A1	5/2006	Enzminger					

OTHER PUBLICATIONS

Icon by AGS, <http://www.playags.com/portfolio/icon/>, 3 pages, Feb. 23, 2016.

Non-Published Design U.S. Appl. No. 29/540,241, filed Sep. 22, 2015, titled Gaming Device Wall of Light.

Non-Published U.S. Appl. No. 12/947,695, filed Nov. 16, 2010, titled Edge Lighted Gaming Panels for Electronic Gaming Device.

International Search Report and Written Opinion for PCT/US16/66904 dated Apr. 25, 2017, 13 pages.

Bluebird Slant Widescreen literature from www.wms.com/technologyandinnovation_cabinets_widcscreen.php dated May 19, 2009, showing a giuning machine cabinet that was sold and/or publicly disclosed at least as early as Dec. 13, 2008.

Spec International, Inc., GEN-311 gaming machine cabinet, publicly disclosed at least as early as Dec. 13, 2008.

Genesis DVI Cabinets by Cadillac Jack circa 2010.

Infinity Super Skybox by Incredible Technologies, <https://gaming.itsgames.com/cabinets/infinity-super-skybox>, Aug. 11, 2016.

(56)

References Cited

OTHER PUBLICATIONS

Super Sky Wheel Slot Makes World Premiere at Borgata—Borgata Blog, <http://blog.theborgata.com/2016/06/16/super-sky-wheel-slot-makes-world-premiere-at-borgata/>, Jun. 16, 2016.

Aristocrat Brings the Game Forward With Advanced New Helix Slant Cabinet, Market Wired, <http://www.marketwired.com/press-release/aristocrat-brings-the-game-forward-with-advanced-new-helix-slant-cabinet-asx-all-1904223.htm>, Apr. 29, 2014.

Helix+ by Aristocrat, 2016.

Helix Upright by Aristocrat, 2014.

b.Pod by Bluberi, <https://www.bluberi.com/bluberi-bpod/>, Accessed Feb. 27, 2018.

Bluberi Set to Reveal Dramatic New Product Line-Up at G2E 2017, Press Release, Soloazar, <http://www.soloazar.com/international/noticia/19870-Bluberi-Set-to-Reveal-Dramatic-New-Product-Line-Up-at-G2E-2017>, Sep. 15, 2017.

AGS LLC; Exhibit 22 to Response to Office Action filed Jul. 27, 2018 with the U.S. Patent and Trademark Office in U.S. Trademark Application Serial No. 87/620,830; 24 pages.

* cited by examiner

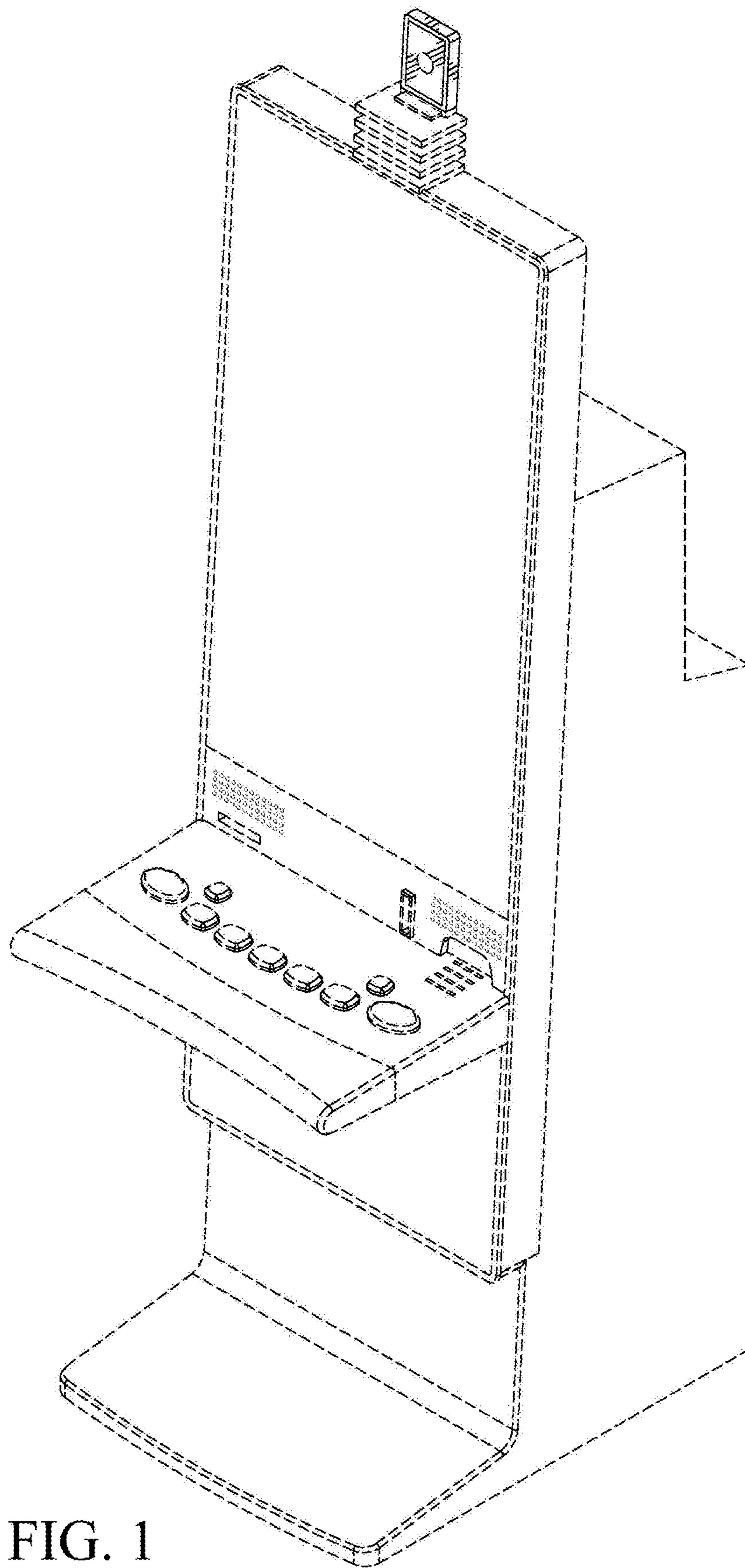


FIG. 1

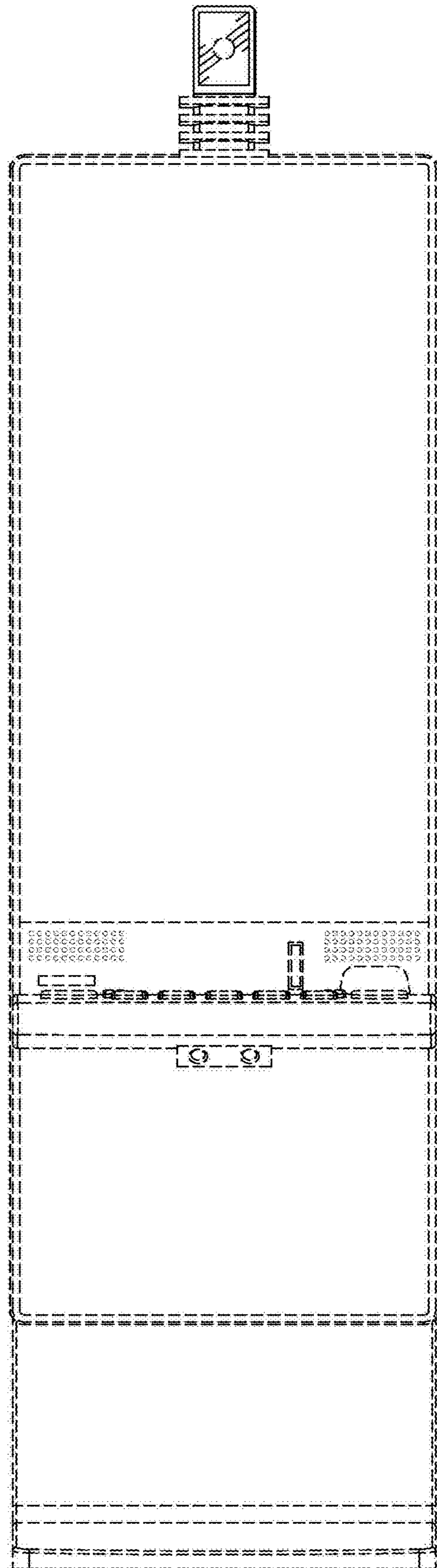


FIG. 2

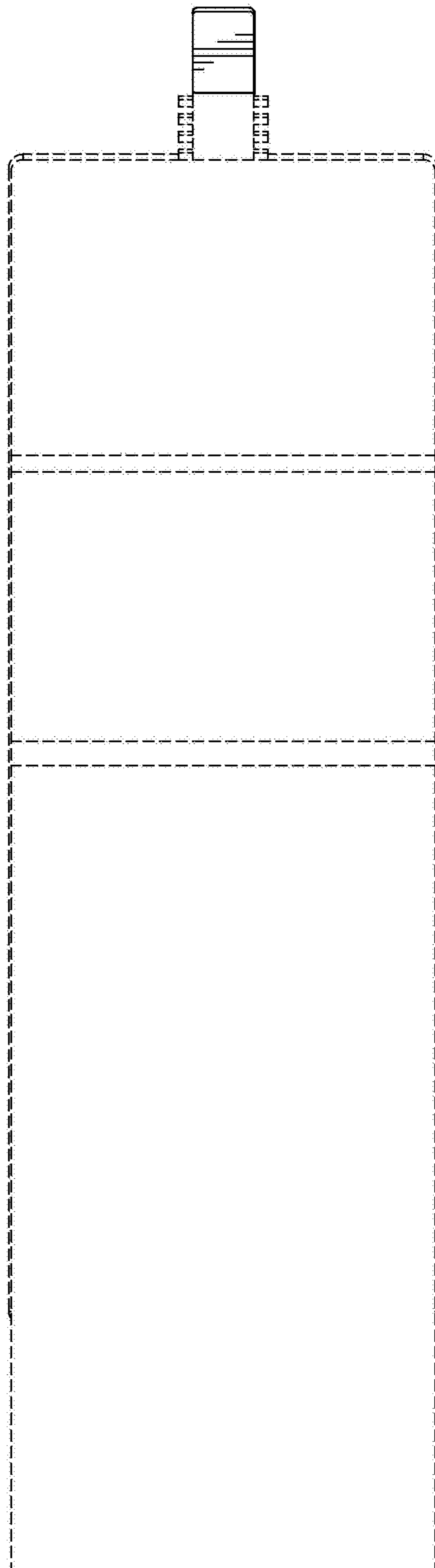


FIG. 3

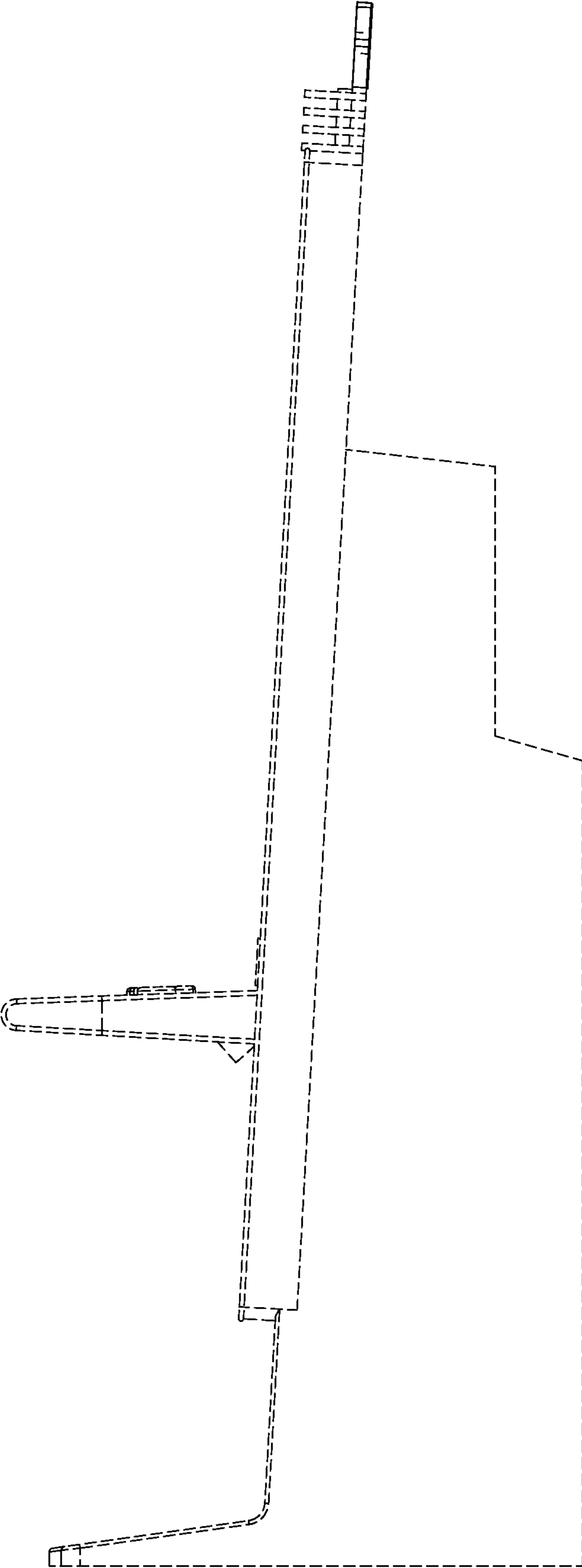


FIG. 4

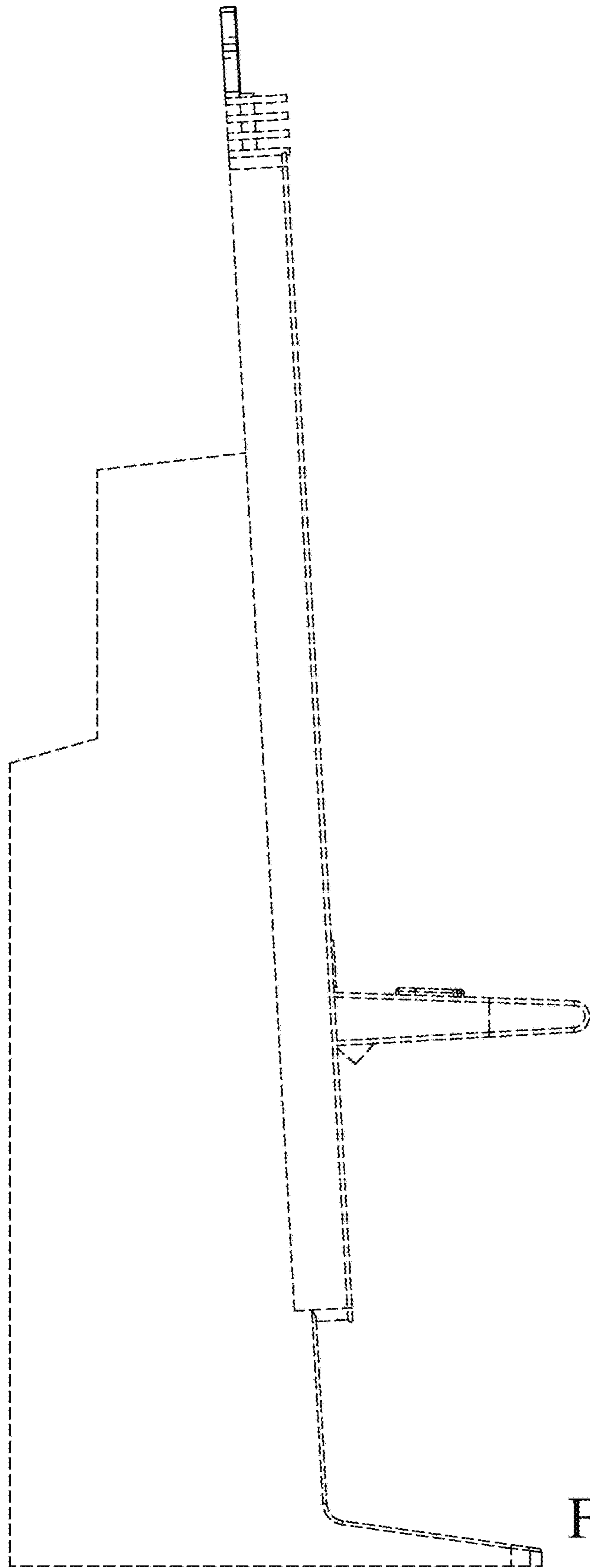


FIG. 5

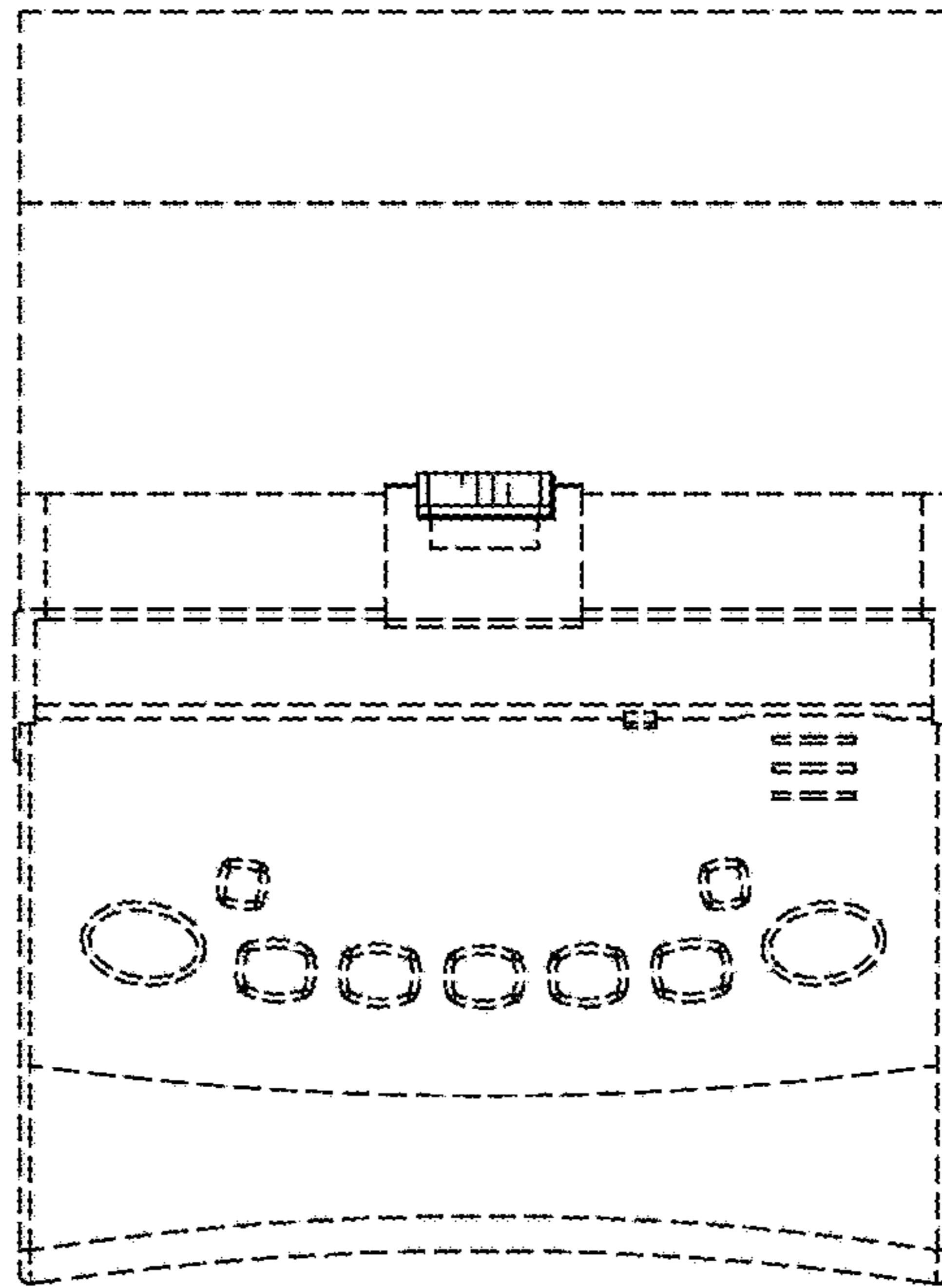


FIG. 6

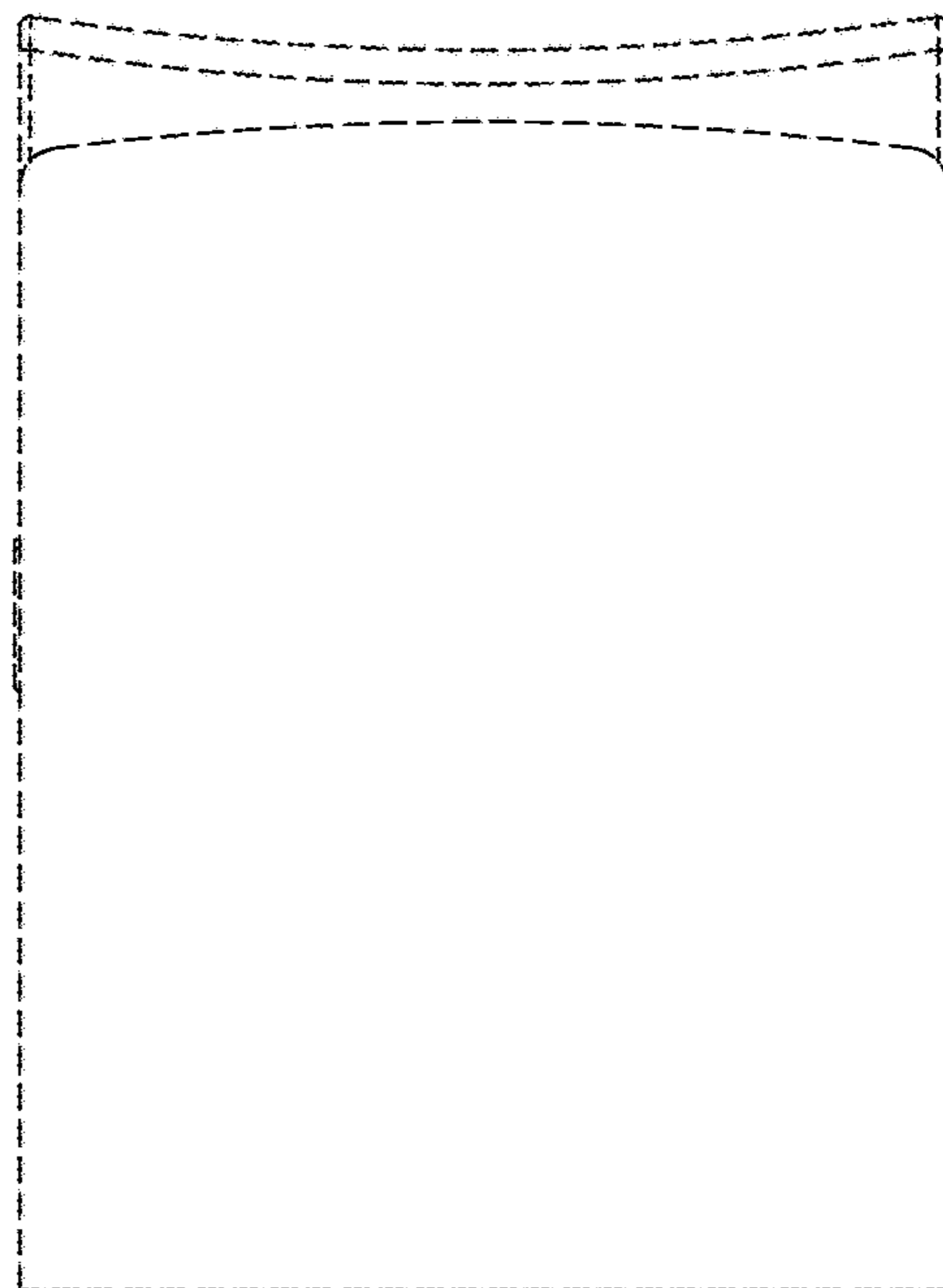


FIG. 7