



US00D848530S

(12) **United States Design Patent** (10) **Patent No.:** **US D848,530 S**
Wagner (45) **Date of Patent:** **** May 14, 2019**

(54) **SIGN**
(71) Applicant: **Tambria Wagner**, Monticello, IN (US)
(72) Inventor: **Tambria Wagner**, Monticello, IN (US)
(**) Term: **15 Years**
(21) Appl. No.: **29/640,366**
(22) Filed: **Mar. 14, 2018**
(51) **LOC (11) Cl.** **20-03**
(52) **U.S. Cl.**
USPC **D20/37**
(58) **Field of Classification Search**
USPC D20/10, 19, 21, 22, 25, 27, 28, 37, 40,
D20/42, 43; D14/485-495
CPC G09F 1/00; G09F 1/02; G09F 1/04; G09F
1/06; G09F 1/08; G09F 9/00; G09F
13/00; G09F 2003/0264
See application file for complete search history.

7,739,816 B2 * 6/2010 Kowatari A47F 5/112
248/152
9,192,255 B2 11/2015 Burrous et al.
9,424,601 B2 8/2016 Brosnan
9,457,946 B2 * 10/2016 Lopez B65D 5/422
9,494,970 B2 11/2016 Truong et al.
D777,572 S * 1/2017 Mast D7/392
2006/0260161 A1 11/2006 Hamilton
2007/0124170 A1 5/2007 Cabell et al.
2011/0030252 A1 2/2011 Marinakis
(Continued)

OTHER PUBLICATIONS

““Wine Makes Me Happy” Slatted Box Sign With Bottle Graphics”.
Found online Dec. 19, 2018 at shopko.com. Page dated 2018.
Retrieved from <https://www.shopko.com/product/Wine-Makes-Me-Happy-Slatted-Box-Sign-With-Bottle-Graphic/210376.uts> (Year: 2018).*

(Continued)

Primary Examiner — George D. Kirschbaum
Assistant Examiner — Sloan Rozin

(56) **References Cited**

U.S. PATENT DOCUMENTS

1,382,227 A * 6/1921 Pyper G09F 13/00
40/433
2,026,201 A * 12/1935 Wolkenhauer G09F 1/08
38/49
2,176,047 A * 10/1939 Ciofalo G09F 1/06
40/539
3,090,144 A * 5/1963 Malamude B42D 15/04
40/124.08
4,926,605 A * 5/1990 Milliken B63B 17/00
160/392
D313,050 S * 12/1990 Burgess D20/40
D350,371 S * 9/1994 Rayle D11/118
5,561,930 A * 10/1996 Ashley G09F 1/08
40/538
D426,582 S * 6/2000 Noreika D19/90
7,322,134 B2 * 1/2008 Cheek B65D 33/00
40/124.06

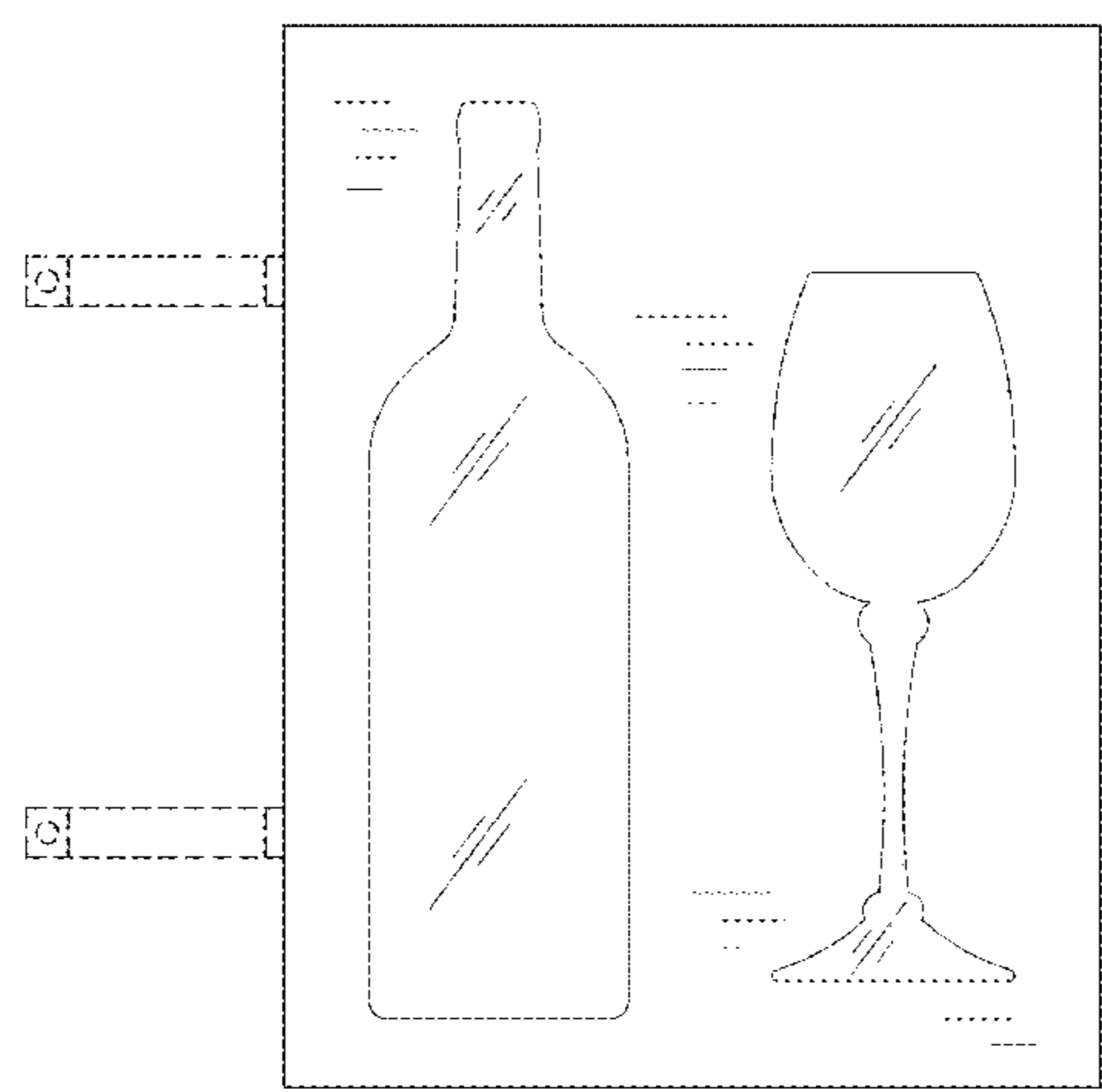
(57) **CLAIM**

The ornamental design for a sign, as shown and described.

DESCRIPTION

FIG. 1 is a front view of a sign showing my new design;
FIG. 2 is a rear view of the sign;
FIG. 3 is a left side view of the sign;
FIG. 4 is a right side view of the sign;
FIG. 5 is a top view of the sign, a bottom view being a mirror image thereof;
FIG. 6 is a top front side perspective view of the sign; and,
FIG. 7 is a top rear side perspective view of the sign.
In the drawings, the broken lines depict portions of the sign that form no part of the claimed design.

1 Claim, 6 Drawing Sheets



(56)

References Cited

U.S. PATENT DOCUMENTS

2015/0332242 A1 11/2015 Perry et al.

OTHER PUBLICATIONS

“Wine Caddy & Decorative Lanterns”. Found online Dec. 19, 2018 at youtube.com. Page dated Oct. 13, 2016. Retrieved from <https://www.youtube.com/watch?v=BnKY1oXnX30> (Year: 2016).*

“Personalised Engraved Wooden Wine Gift Box Wedding Heart Word Cloud Design Champagne Prosecco”. Found online Dec. 19, 2018 at amazon.co.uk. Page dated Mar. 15, 2016. Retrieved from https://www.amazon.co.uk/Personalised-Engraved-Wedding-Champagne-Prosecco/dp/B01D0N5N50/ref=pd_sbs_201_2?_encoding=UTF8&pd_rd_ (Year: 2016).*

“Perrier-Jouet Belle Epoque Champagne Gift Set”. Found online Dec. 19, 2018 at costcocouple.com. Page dated Dec. 27, 2013. Retrieved from <http://costcocouple.com/perrier-jouet-belle-epoque-champagne-gift-set/> (Year: 2013).*

* cited by examiner

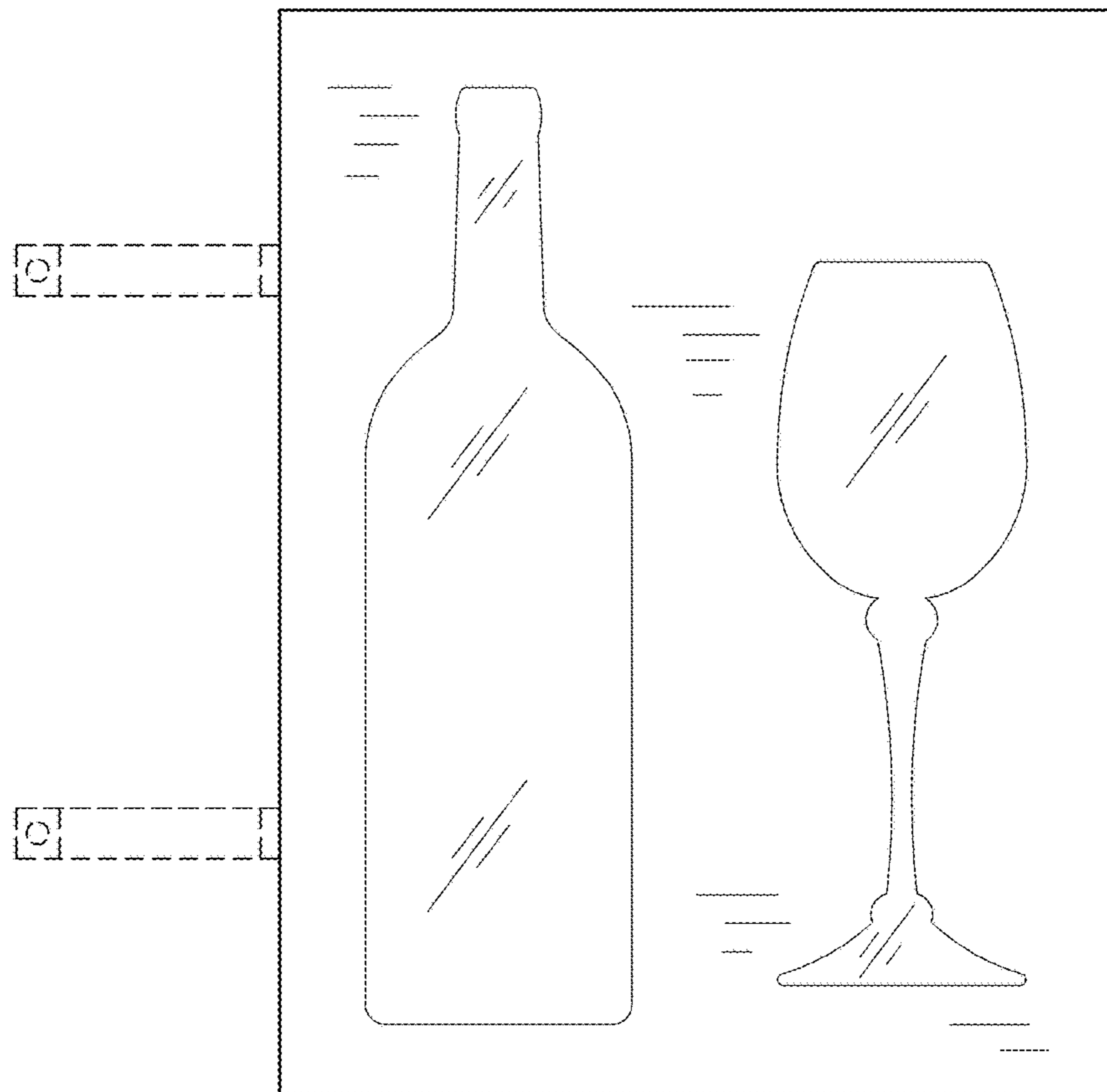


FIG. 1

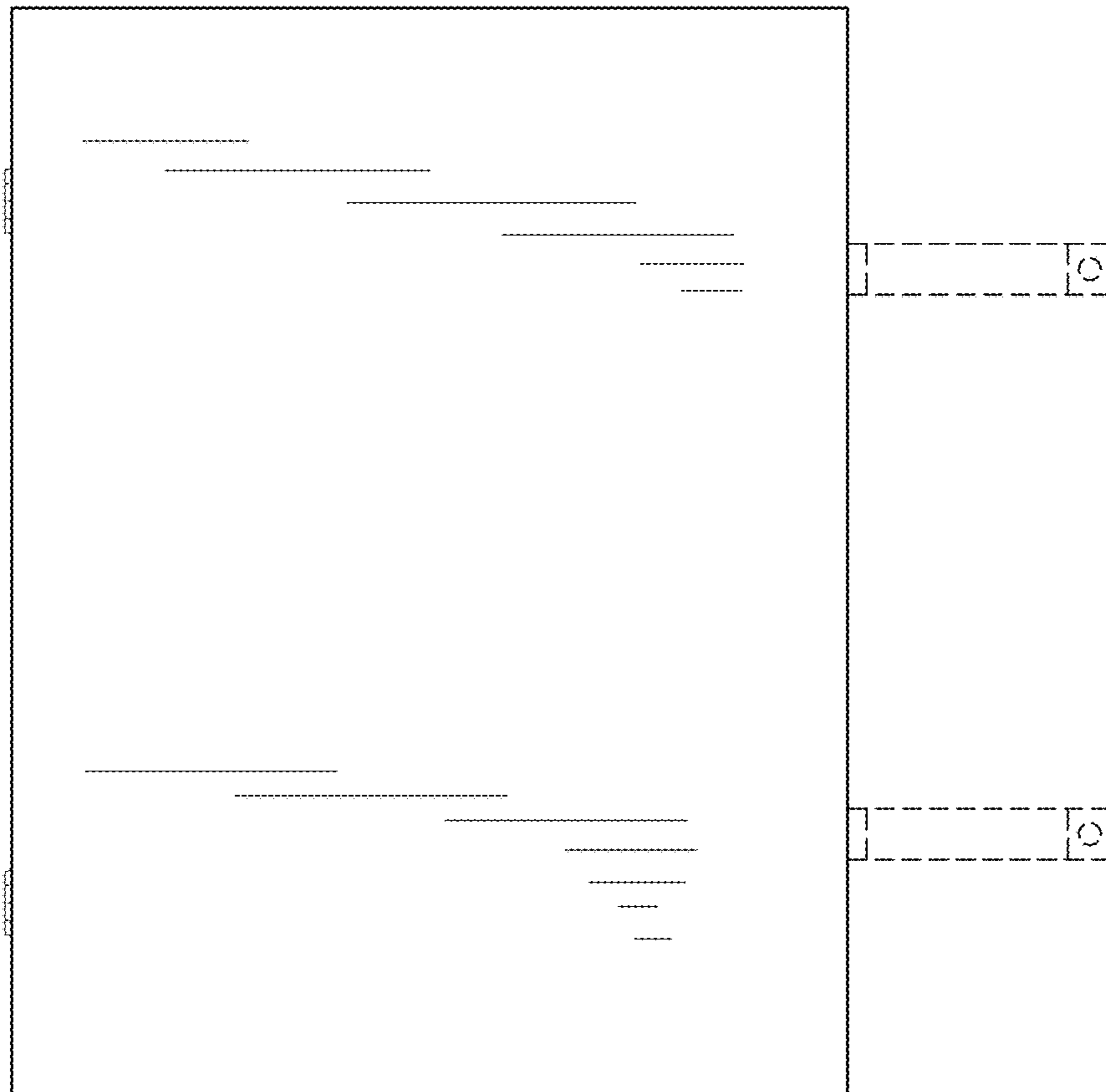


FIG. 2

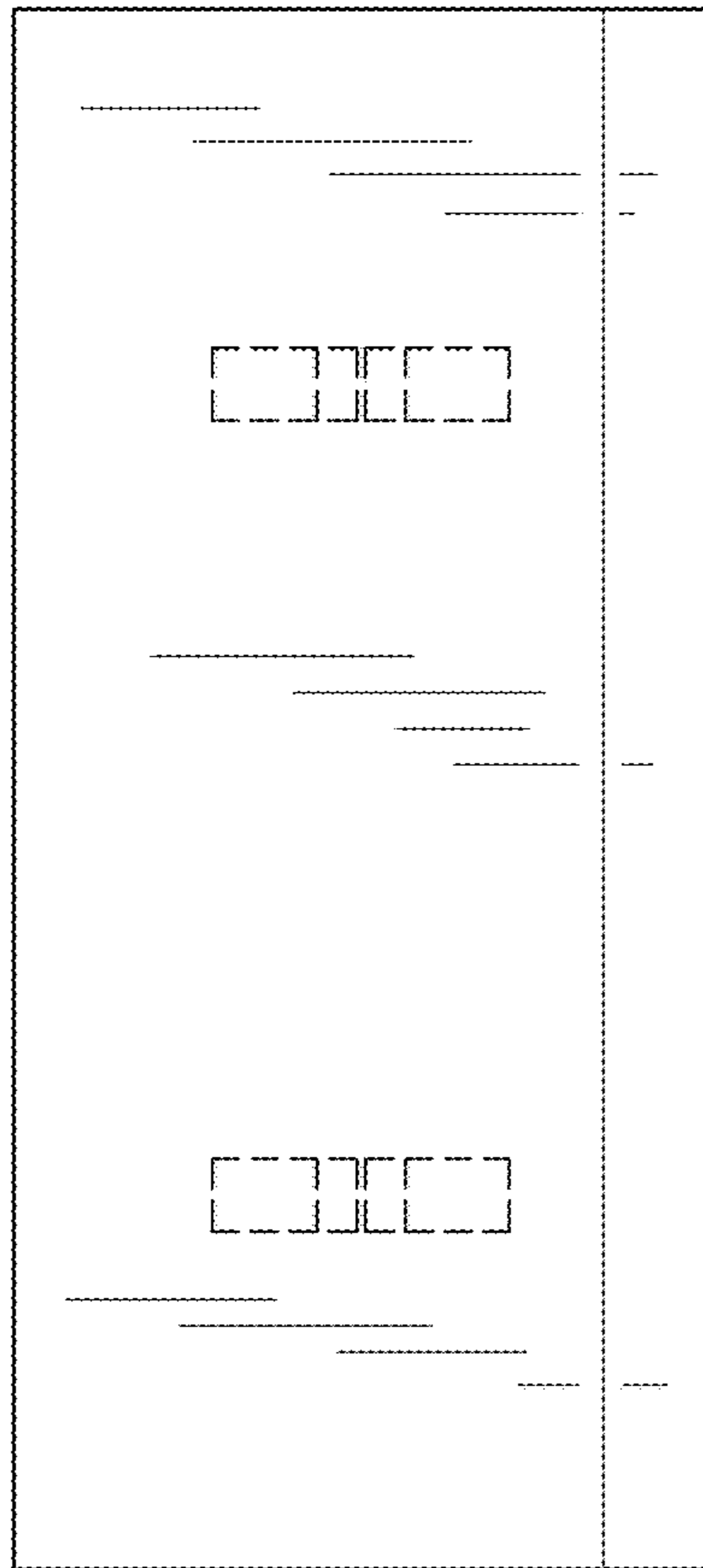


FIG. 3

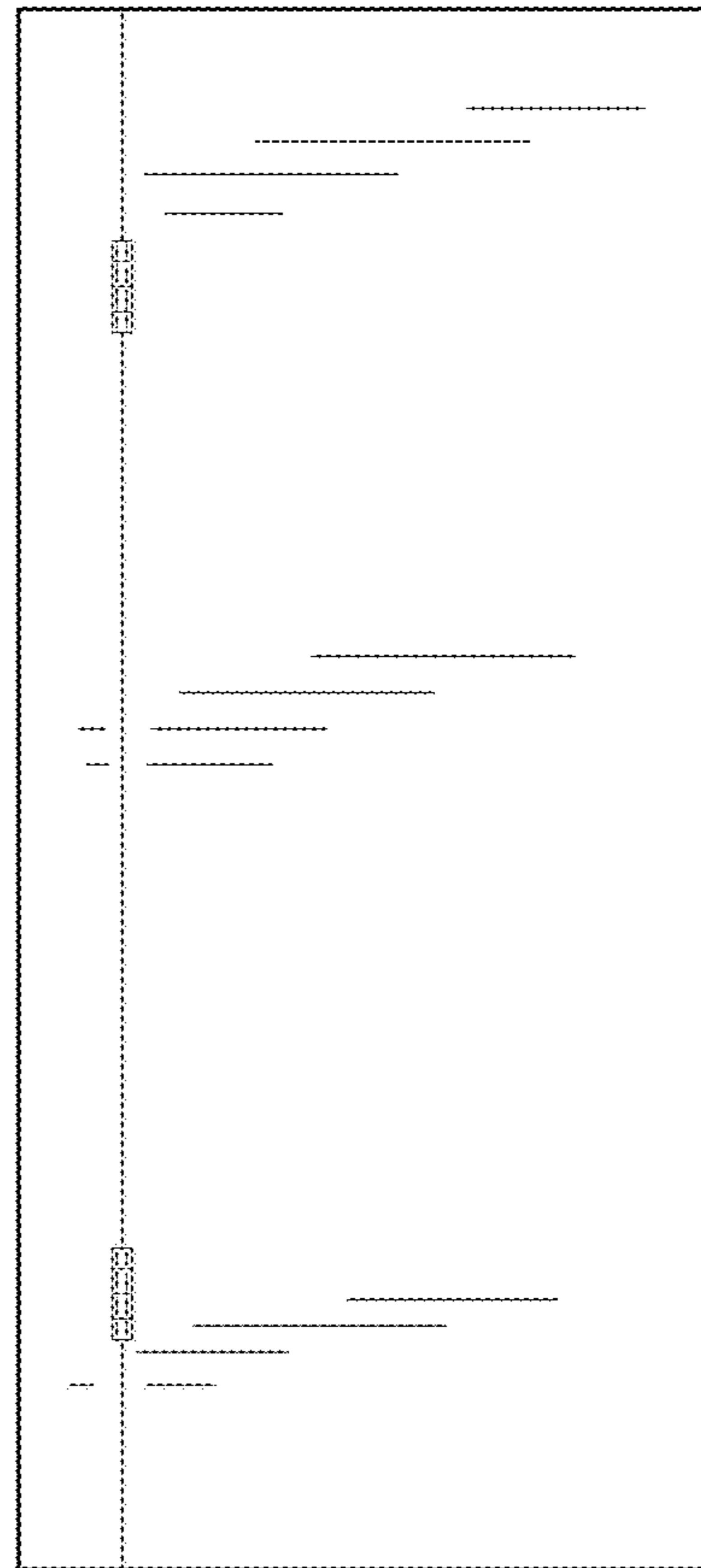


FIG. 4

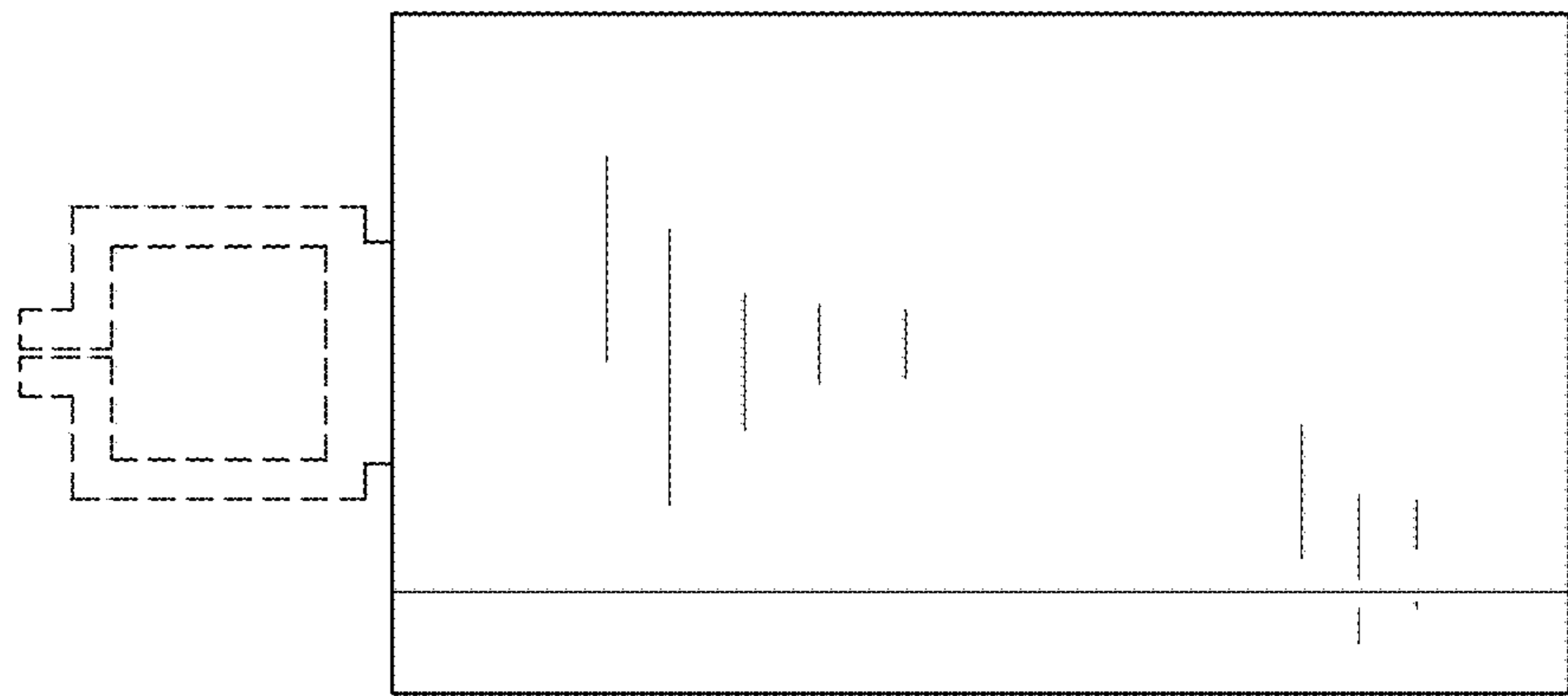


FIG. 5

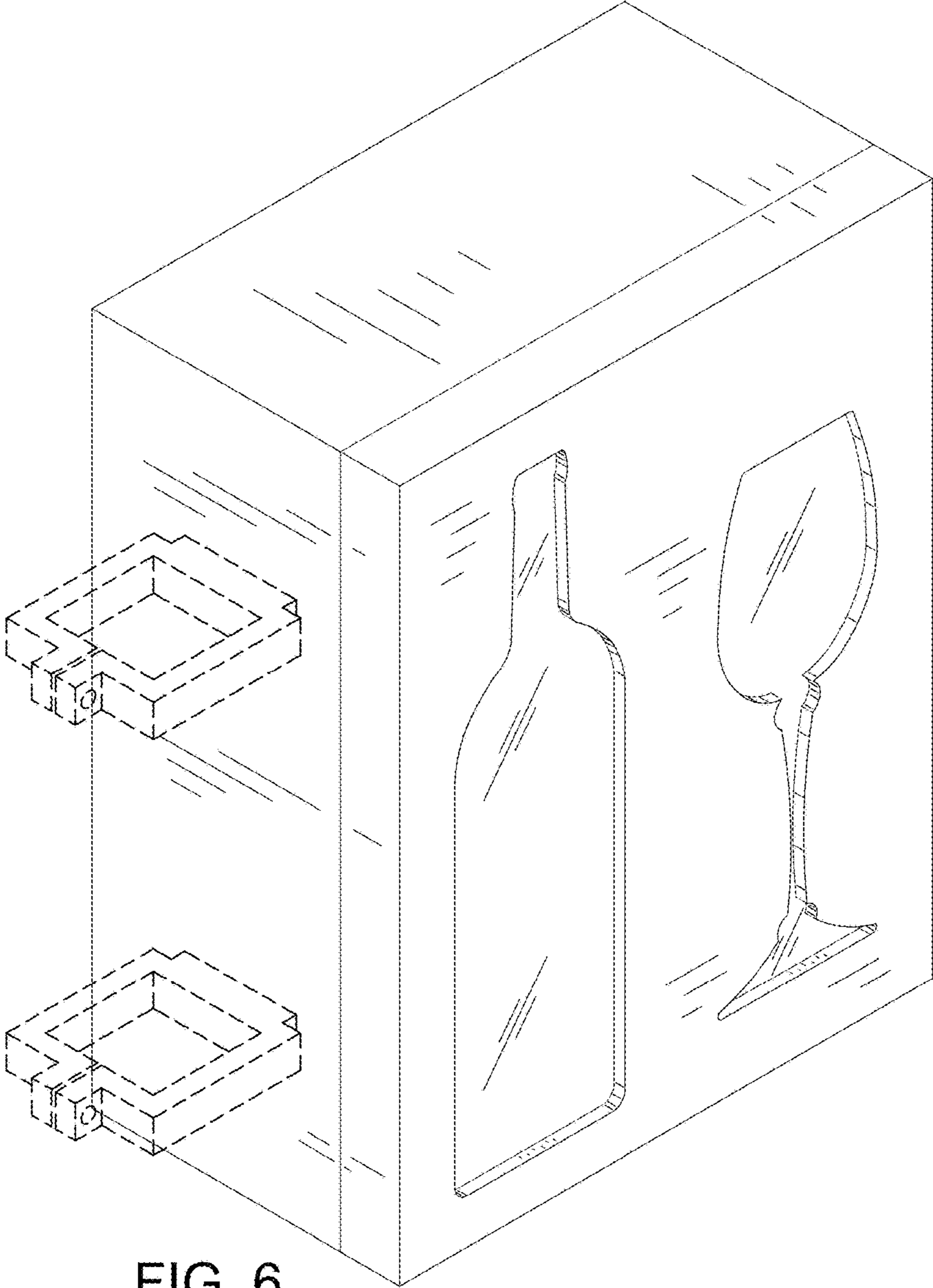


FIG. 6

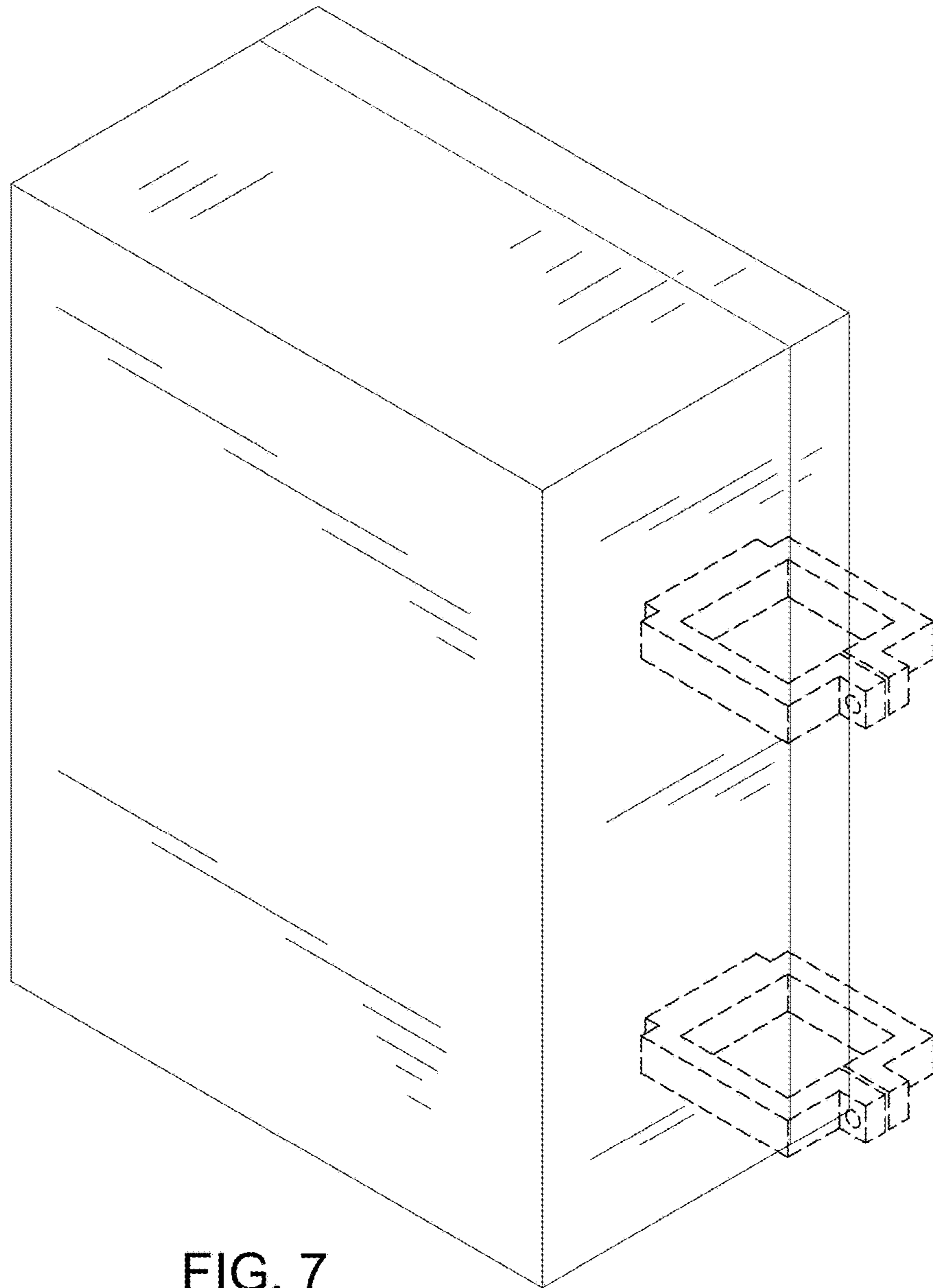


FIG. 7