



US00D848529S

(12) **United States Design Patent** (10) **Patent No.:** **US D848,529 S**
Lee et al. (45) **Date of Patent:** **** May 14, 2019**

(54) **DIGITAL SIGNAGE**

D430,901 S * 9/2000 Palmer D20/10
D445,837 S * 7/2001 Waterhouse D20/40
D635,614 S 4/2011 Yan

(71) Applicant: **SAMSUNG ELECTRONICS CO., LTD.**, Suwon-si, Gyeonggi-do (KR)

(Continued)

(72) Inventors: **Yang-Jic Lee**, Gwachon-Si (KR);
Sae-Rom Hwang, Seoul (KR);
Tae-Yeon Won, Yongin-si (KR)

FOREIGN PATENT DOCUMENTS

EM 002573824-0003 11/2014

(73) Assignee: **SAMSUNG ELECTRONICS CO., LTD.**, Gyeonggi-Do (KR)

OTHER PUBLICATIONS

“Olive LED Sign.” Found online Dec. 19, 2018 at amazon.com. Page dated Mar. 30, 2011. Retrieved from https://www.amazon.com/dp/B008I5ETYM/Ref=sspa_dk_detail_2?psc=1&pd_rd_I=B008I5ETYM&pd_rd_w=zcrmn&pf_rd_p=F0DEDBE2-13C8-4136-A746-4398ED93CF0F&pd_rd_wg=KL1CA&pf_rd_r=52Z3B2M71TSBX2SNVAD3&pd_rd_r=922E0312-FCB (Year: 2011).*

(Continued)

(**) Term: **15 Years**

(21) Appl. No.: **29/637,828**

(22) Filed: **Feb. 22, 2018**

(30) **Foreign Application Priority Data**

Sep. 8, 2017 (KR) 30-2017-0042207

(51) **LOC (11) Cl.** **20-03**

(52) **U.S. Cl.**
USPC **D20/10**

(58) **Field of Classification Search**
USPC D20/10, 19, 21, 22, 25, 27, 28, 37, 40,
D20/42, 43; D14/485-495
CPC G09F 1/00; G09F 1/02; G09F 1/04; G09F
1/06; G09F 1/08; G09F 9/00; G09F
13/00; G09F 2003/0264
See application file for complete search history.

(56) **References Cited**

U.S. PATENT DOCUMENTS

D288,101 S * 2/1987 Rohrer, III D20/10
D300,642 S * 4/1989 Pawlik D20/10
D308,543 S * 6/1990 Hunter D20/10
D313,431 S * 1/1991 Jaskiel, Jr. D14/126
D344,294 S * 2/1994 Foust D20/42
D348,287 S * 6/1994 Odmark D20/43
D352,070 S * 11/1994 Gibson D20/40
D405,473 S * 2/1999 Tikhonski D20/10

Primary Examiner — George D. Kirschbaum

Assistant Examiner — Sloan Rozin

(74) *Attorney, Agent, or Firm* — Cantor Colburn LLP

(57) **CLAIM**

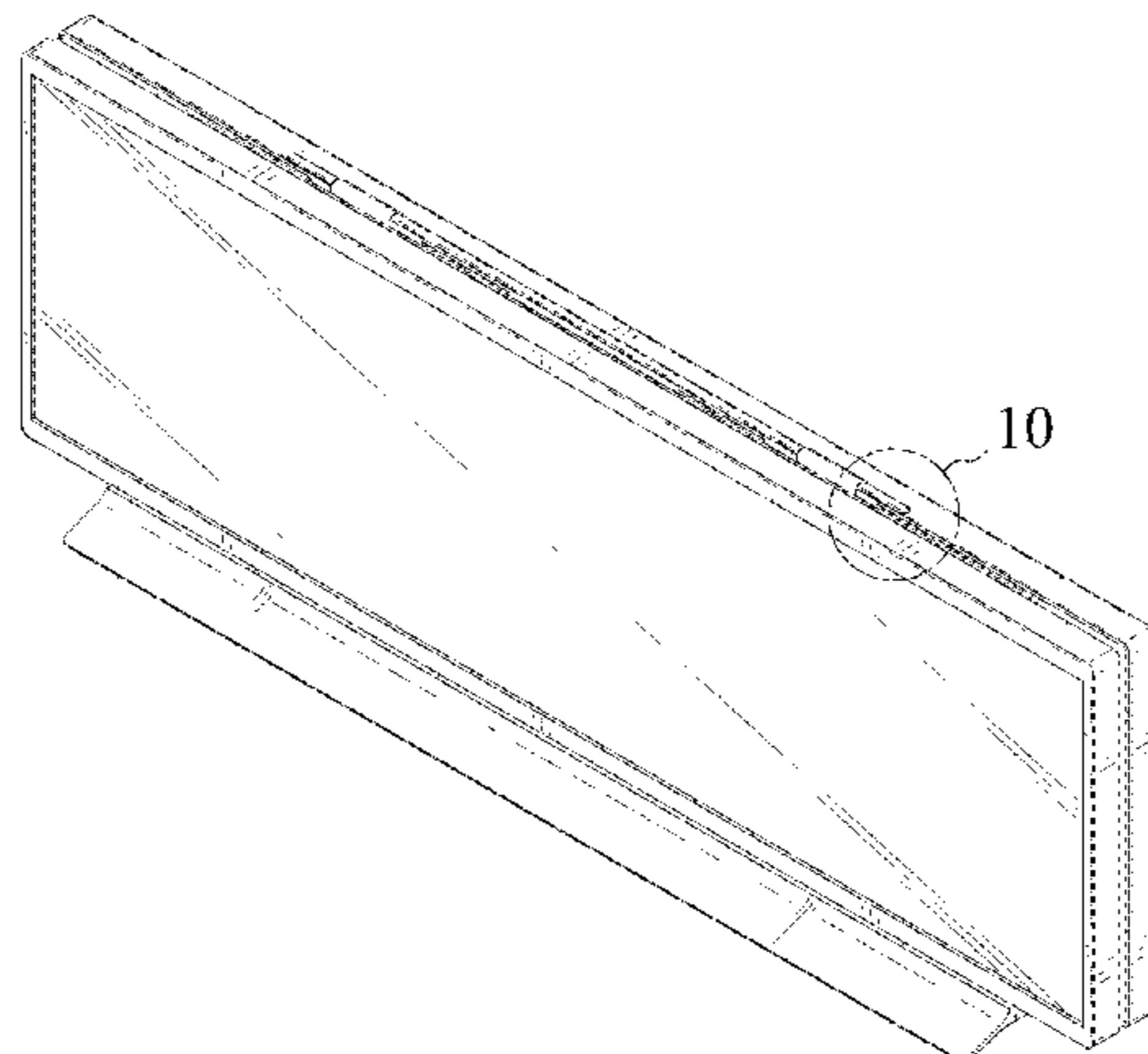
The ornamental design for a digital signage, as shown and described.

DESCRIPTION

FIG. 1 is a perspective view of a digital signage showing our new design;
FIG. 2 is a front view thereof;
FIG. 3 is a rear view thereof;
FIG. 4 is a left-side view thereof;
FIG. 5 is a right-side view thereof;
FIG. 6 is a top plan view thereof;
FIG. 7 is a bottom plan view thereof;
FIG. 8 is a front perspective-exploded view thereof;
FIG. 9 is a rear perspective-exploded view thereof; and,
FIG. 10 is an enlarged view of the encircled portion 10 in FIG. 1.

In the drawings, the even-length broken lines depict portions of the digital signage that form no part of the claimed design.

1 Claim, 10 Drawing Sheets



(56)

References Cited

U.S. PATENT DOCUMENTS

D694,827 S * 12/2013 Mudry D20/42
D765,659 S 9/2016 Kim et al.
D765,660 S 9/2016 Kim et al.
D786,814 S 5/2017 Lee et al.
2017/0227806 A1* 8/2017 Yamamoto G09F 9/00
2017/0357112 A1* 12/2017 Shibahara G02F 1/1347

OTHER PUBLICATIONS

“Samsung SH37F94 cm (37”)LCD Digital Signage Display”. Found online Dec. 19, 2018 at amazon.com. Page dated Feb. 16, 2018. Retrieved from [https://www.amazon.com/samsung-SH37F-digital-signage-display/dp/B01LQ3XD26/ref=sr_1_18?ie=UTF8&QID=1544470956&SR=8-18&Keywords=Samsung+Signage\(Year:2018\).*](https://www.amazon.com/samsung-SH37F-digital-signage-display/dp/B01LQ3XD26/ref=sr_1_18?ie=UTF8&QID=1544470956&SR=8-18&Keywords=Samsung+Signage(Year:2018).*)
“SEYOOTDS4910H 49” 6 Points Interactive Kiosk for Digital Signage, Commercial Touch Display Kiosks.” Found online Dec. 19, 2018 at amazon.com. Page dated Feb. 22, 2015. Retrieved from [https://www.amazon.com/dp/B00TWJGKKE/ref=sspa_dk_detail_6?psc=1\(Year:2015\).*](https://www.amazon.com/dp/B00TWJGKKE/ref=sspa_dk_detail_6?psc=1(Year:2015).*)

* cited by examiner

FIG. 1

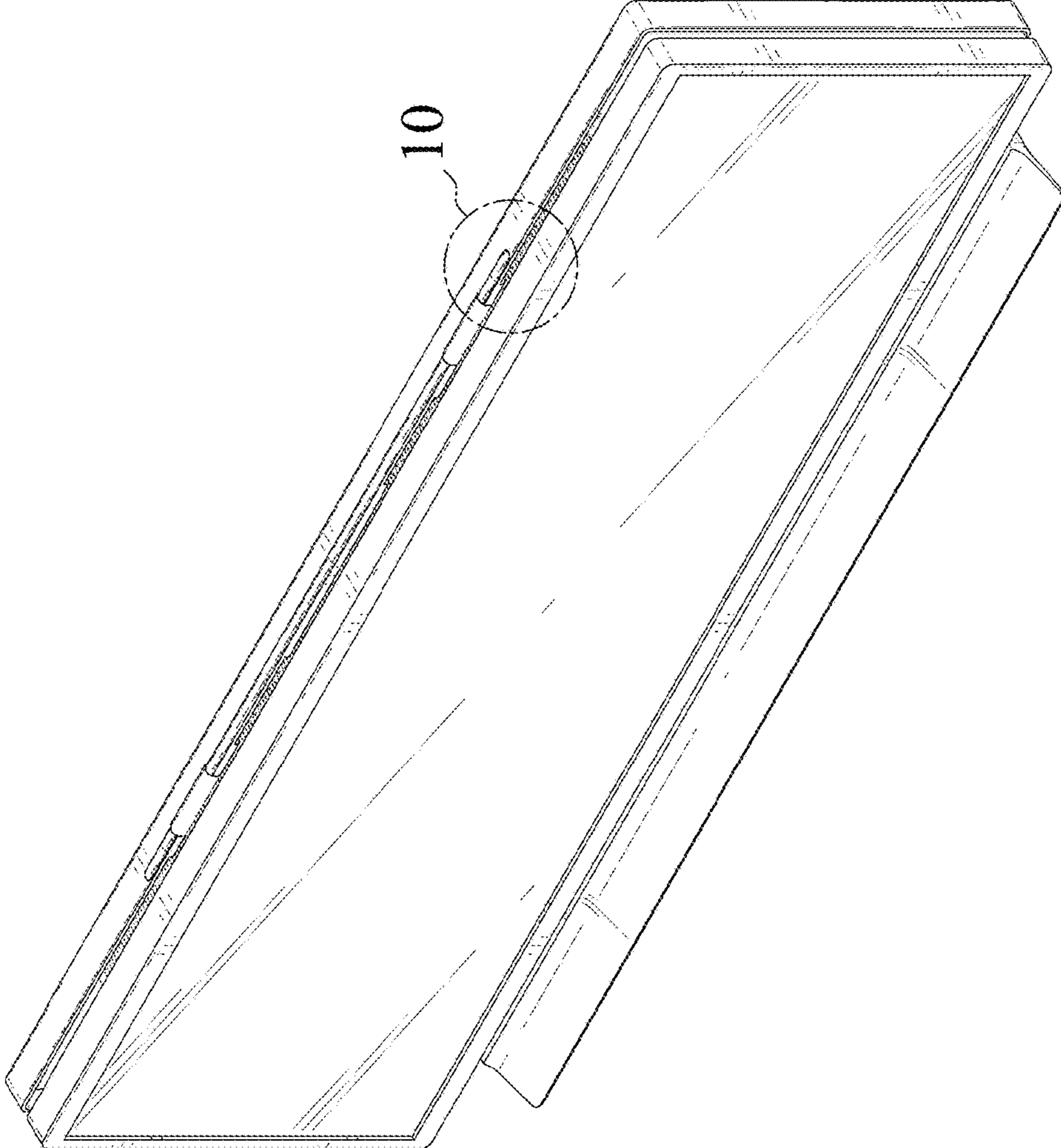


FIG. 2

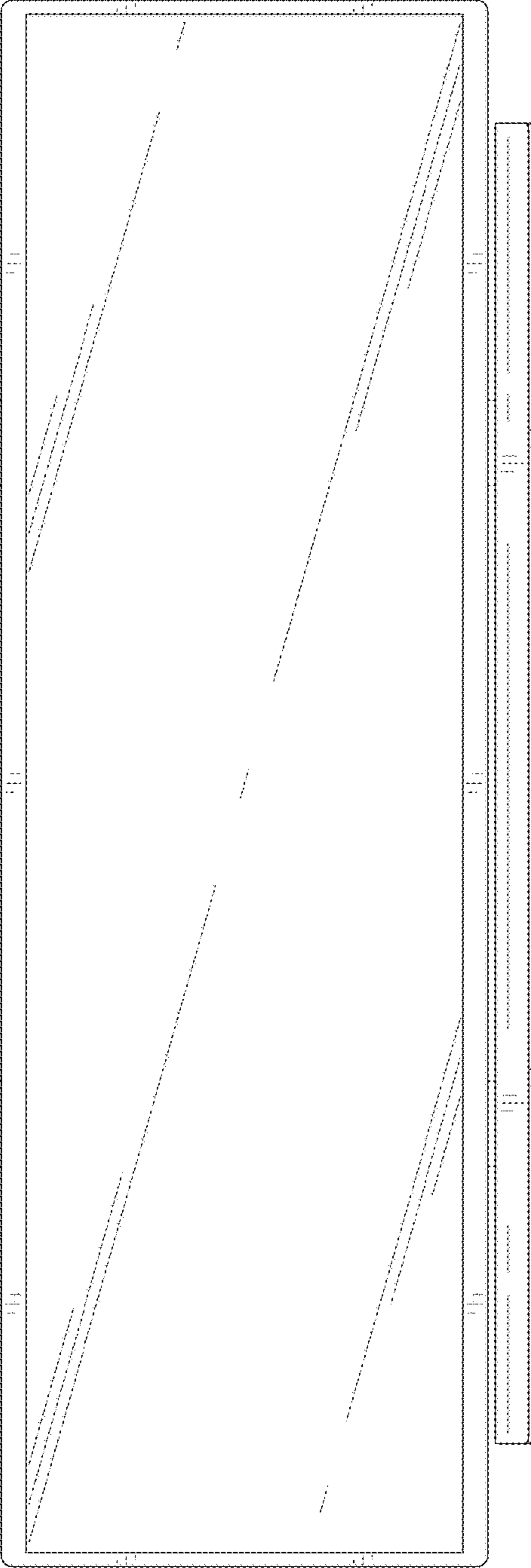


FIG. 3

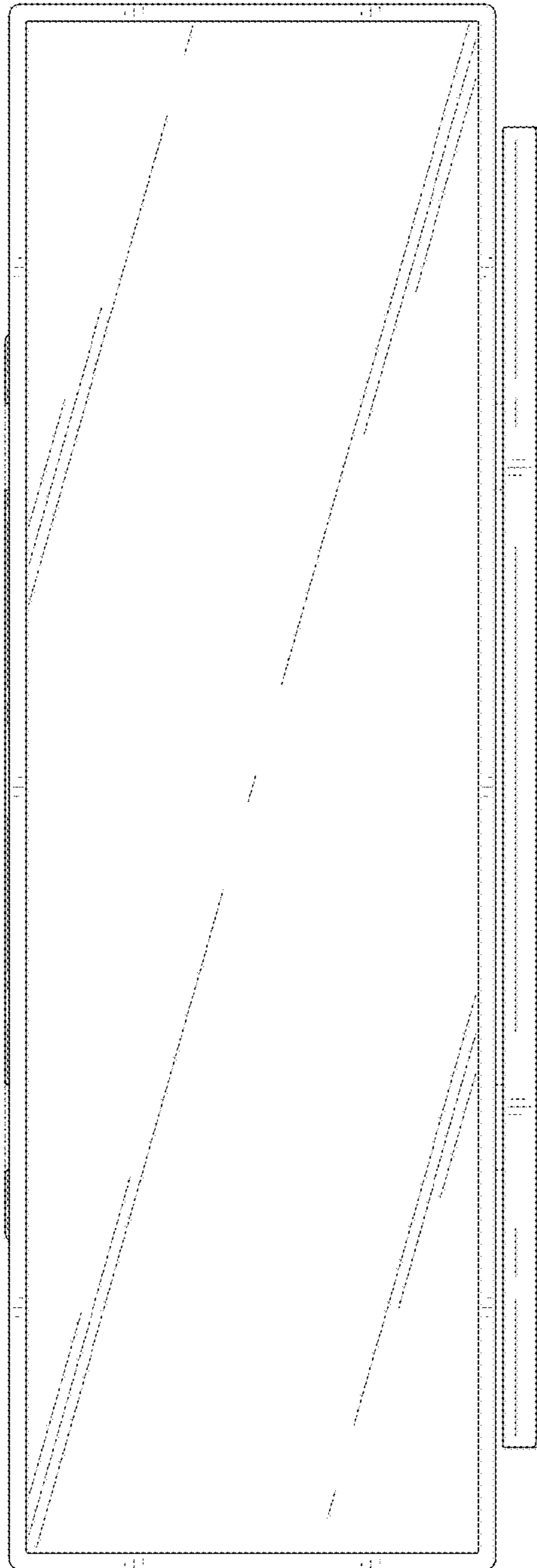


FIG. 4

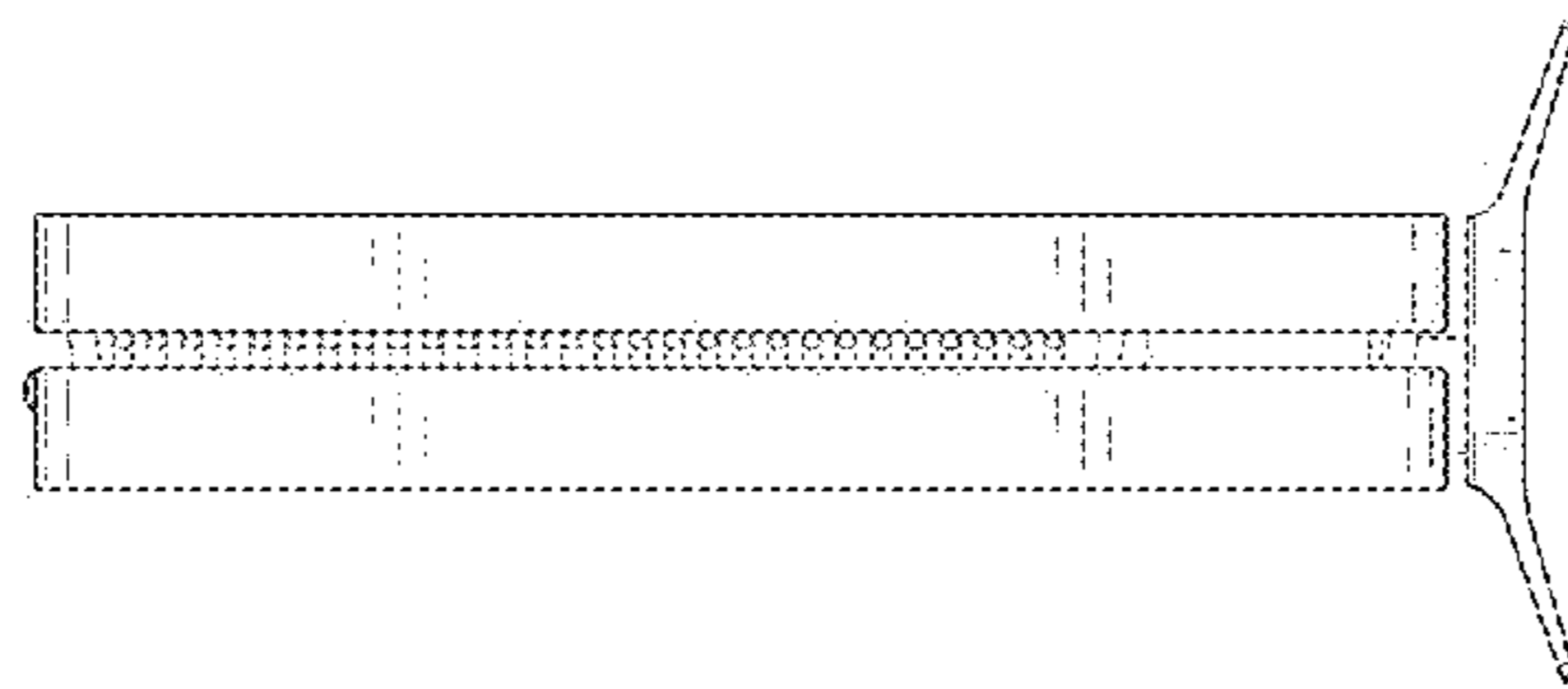


FIG. 5

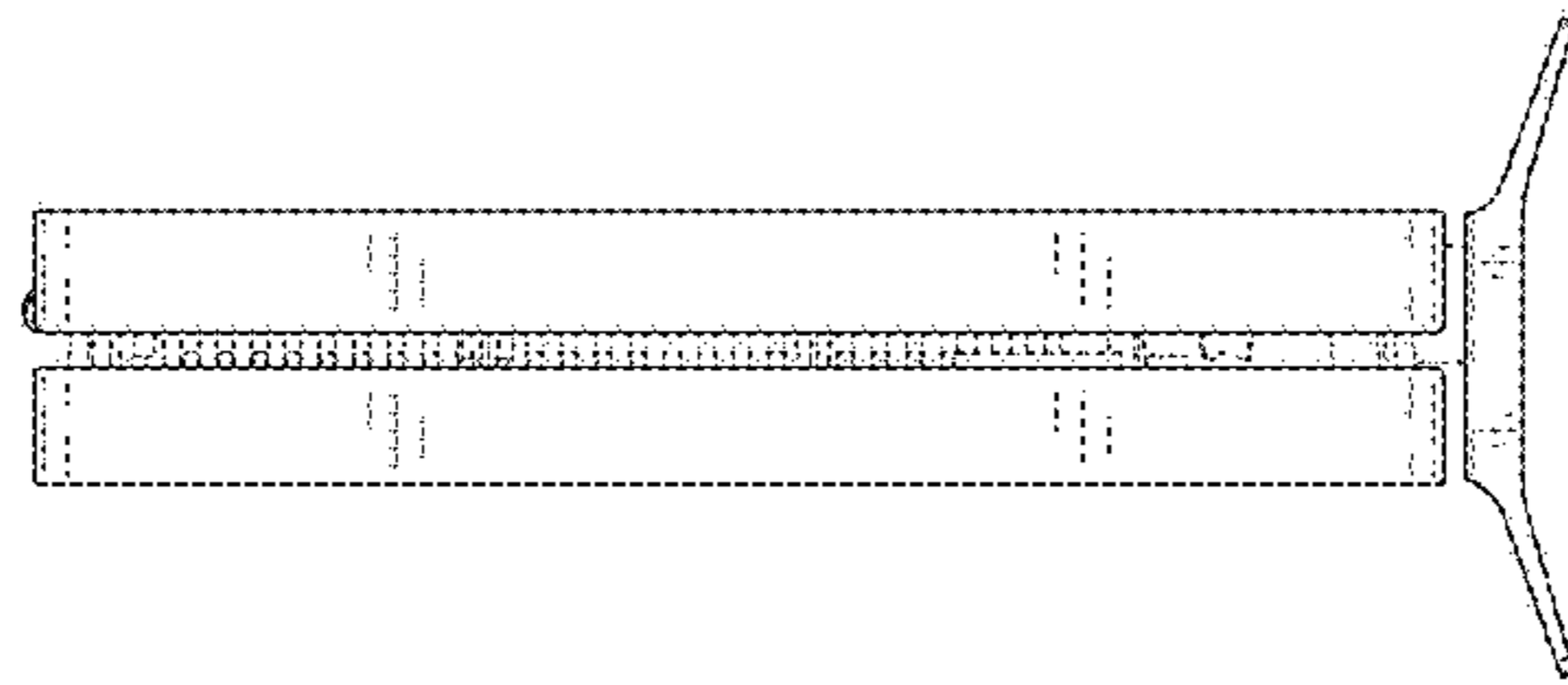


FIG. 6

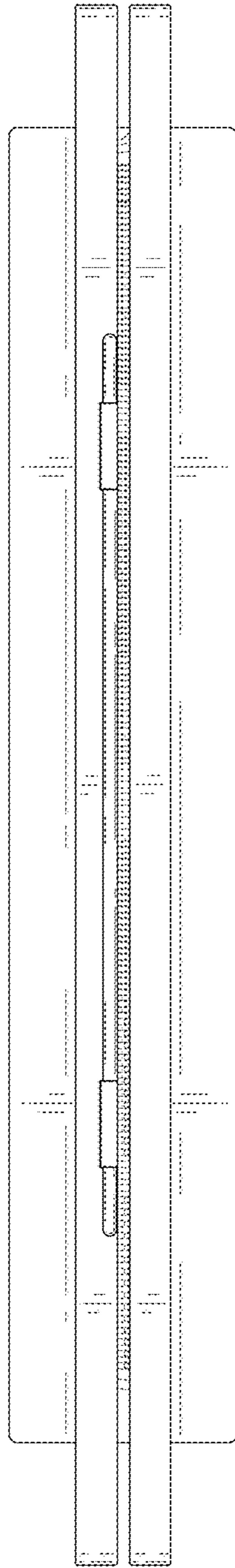


FIG. 7

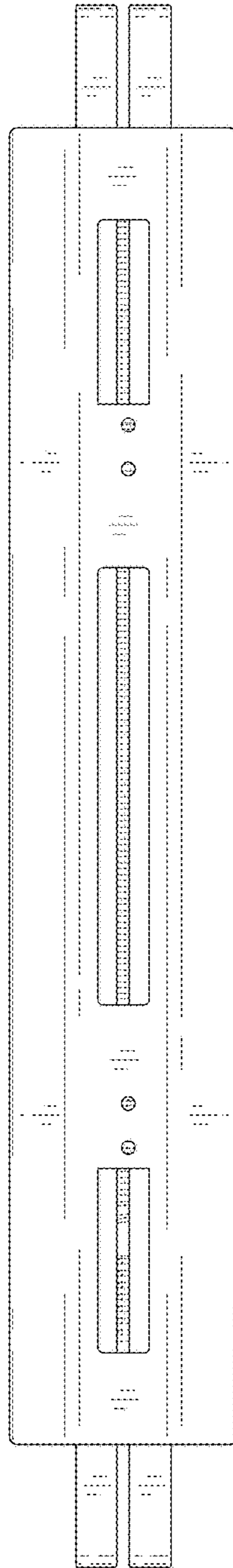


FIG. 8

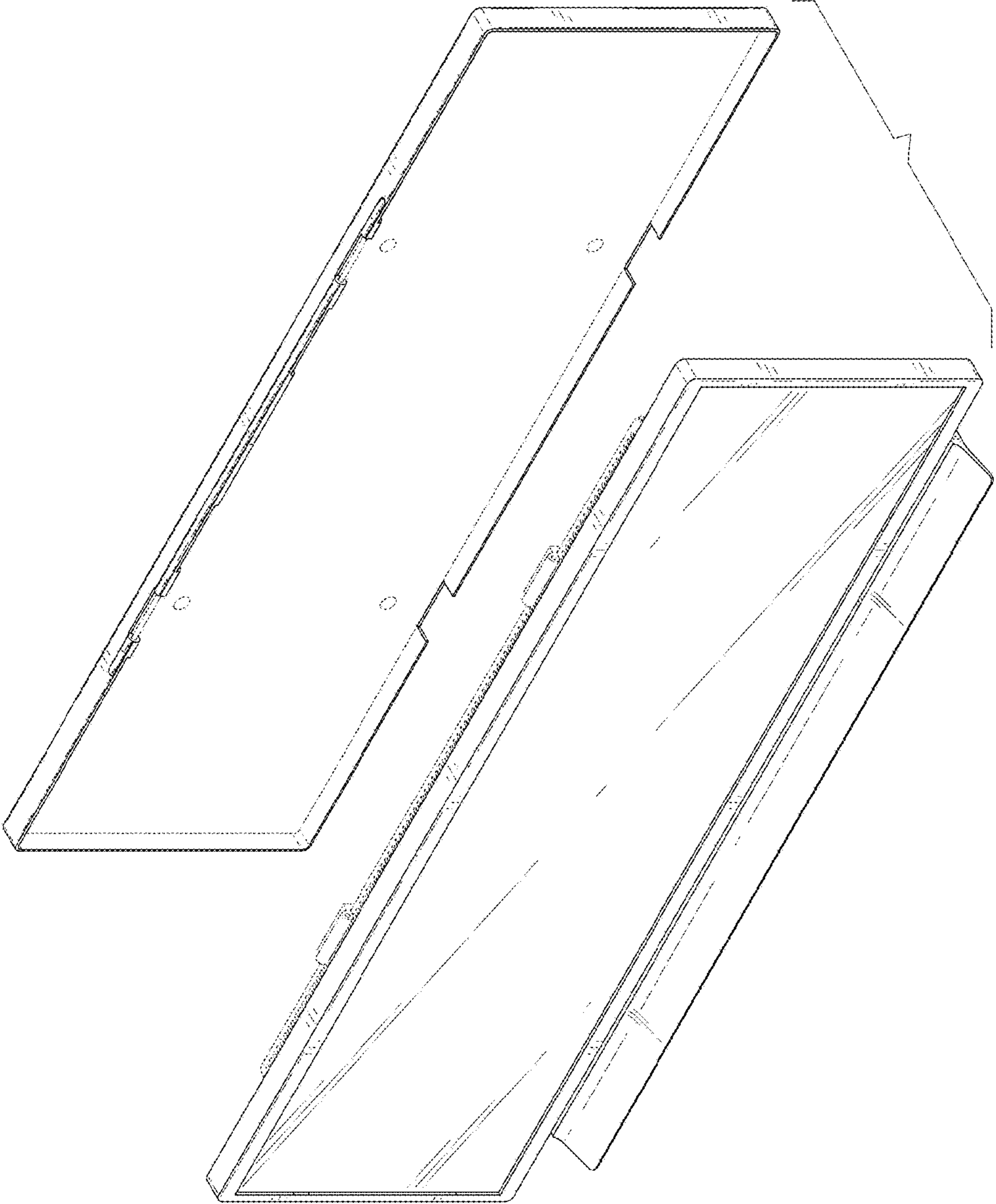


FIG. 9

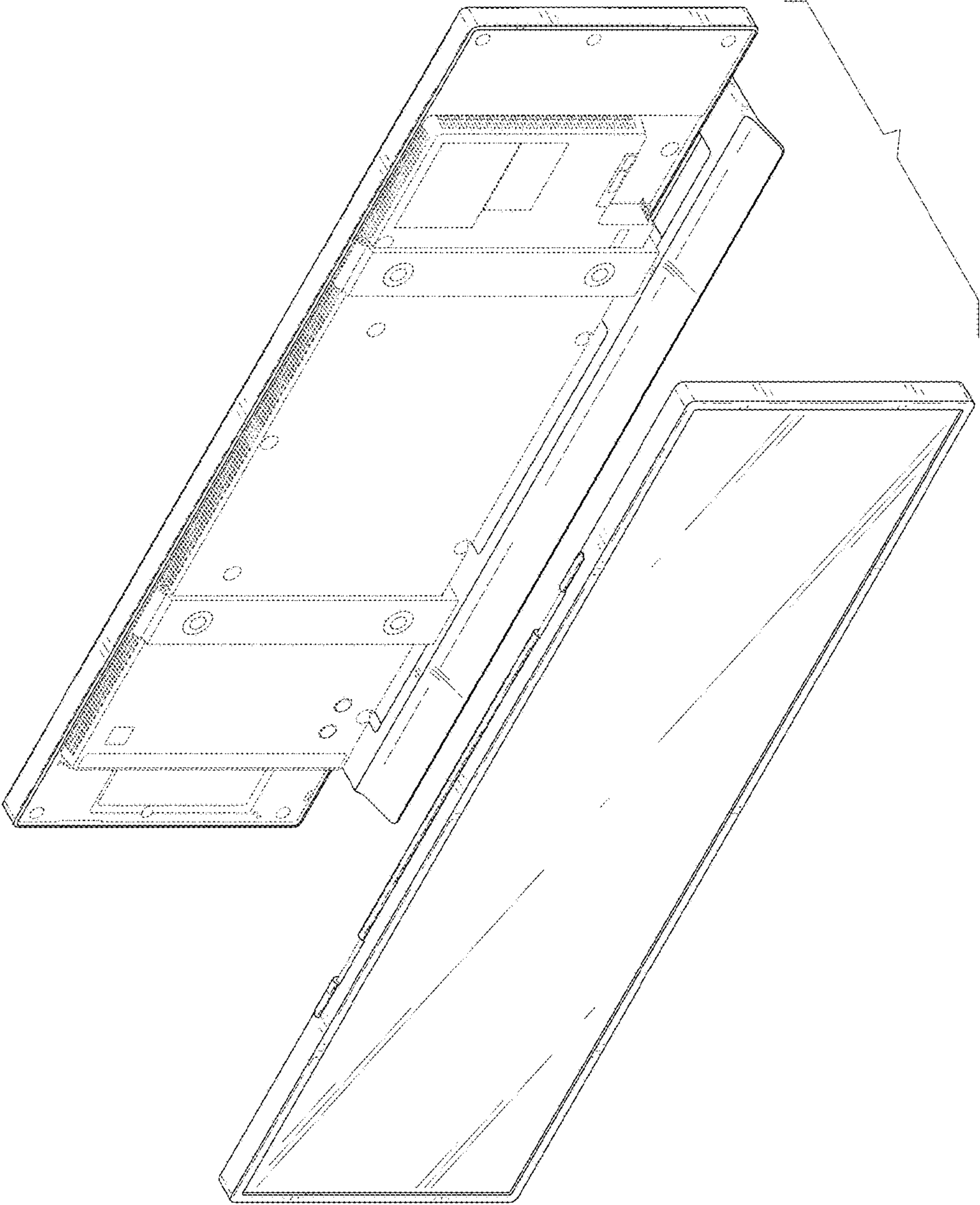


FIG. 10

