



US00D848526S

(12) **United States Design Patent**
Tsiopanos et al.

(10) **Patent No.: US D848,526 S**

(45) **Date of Patent: ** May 14, 2019**

(54) **RIBBON CARTRIDGE**

(71) Applicant: **Zebra Technologies Corporation**,
Lincolnshire, IL (US)

(72) Inventors: **Konstantinos Tsiopanos**, Selden, NY
(US); **JaeHo Choi**, Whitestone, NY
(US)

(73) Assignee: **Zebra Technologies Corporation**,
Lincolnshire, IL (US)

(**) Term: **15 Years**

(21) Appl. No.: **29/606,497**

(22) Filed: **Jun. 5, 2017**

(51) **LOC (11) Cl. 18-02**

(52) **U.S. Cl.**

USPC **D18/56; D18/12**

(58) **Field of Classification Search**

USPC D18/12, 18, 40, 43, 44, 56, 58, 99;
D14/462, 471, 474-477, 481-484;
D15/78, 89, 138, 145, 146, 199;
400/194-196, 207-208, 208.1, 235.1,
400/236, 242, 247, 331; 347/214;
360/132, 134

CPC ... B41J 32/00; B41J 32/02; B41J 11/44; B41J
17/28; B41J 17/30; B41J 17/32; B41J
31/00; B41J 33/14; B41J 35/26; B41J
35/28; B41J 35/30

See application file for complete search history.

(56) **References Cited**

U.S. PATENT DOCUMENTS

D270,914 S * 10/1983 Nader D18/44
D327,495 S * 6/1992 Nagai D18/56
5,246,299 A * 9/1993 Kitsuki B41J 17/32
242/343.2
D361,592 S * 8/1995 Niwano D18/56
D383,743 S * 9/1997 Suwa D18/56

5,794,102 A * 8/1998 Coffey G03G 21/1832
399/114
5,810,490 A * 9/1998 Kondo B41J 32/00
400/207
D418,860 S * 1/2000 Shimoyama D18/12
D420,696 S * 2/2000 Yung D18/12
D425,545 S * 5/2000 Ishida D14/471
D432,561 S * 10/2000 Shimamura D18/12
D442,211 S * 5/2001 Hayashi D18/12
D446,239 S * 8/2001 Funaki D18/12
D453,179 S * 1/2002 Neri D18/12
D453,180 S * 1/2002 Matsumoto D18/12
D454,151 S * 3/2002 Neri D18/12
D458,295 S * 6/2002 Neri D18/12

(Continued)

FOREIGN PATENT DOCUMENTS

JP 200584439 A 3/2005

OTHER PUBLICATIONS

Zebra P630i/P640i Card Printer User's Manual, Manual, 2006, pp.
8, 26-28, 980541-003 Rev. A, ZIH Corp.

(Continued)

Primary Examiner — Marie D. Fast Horse

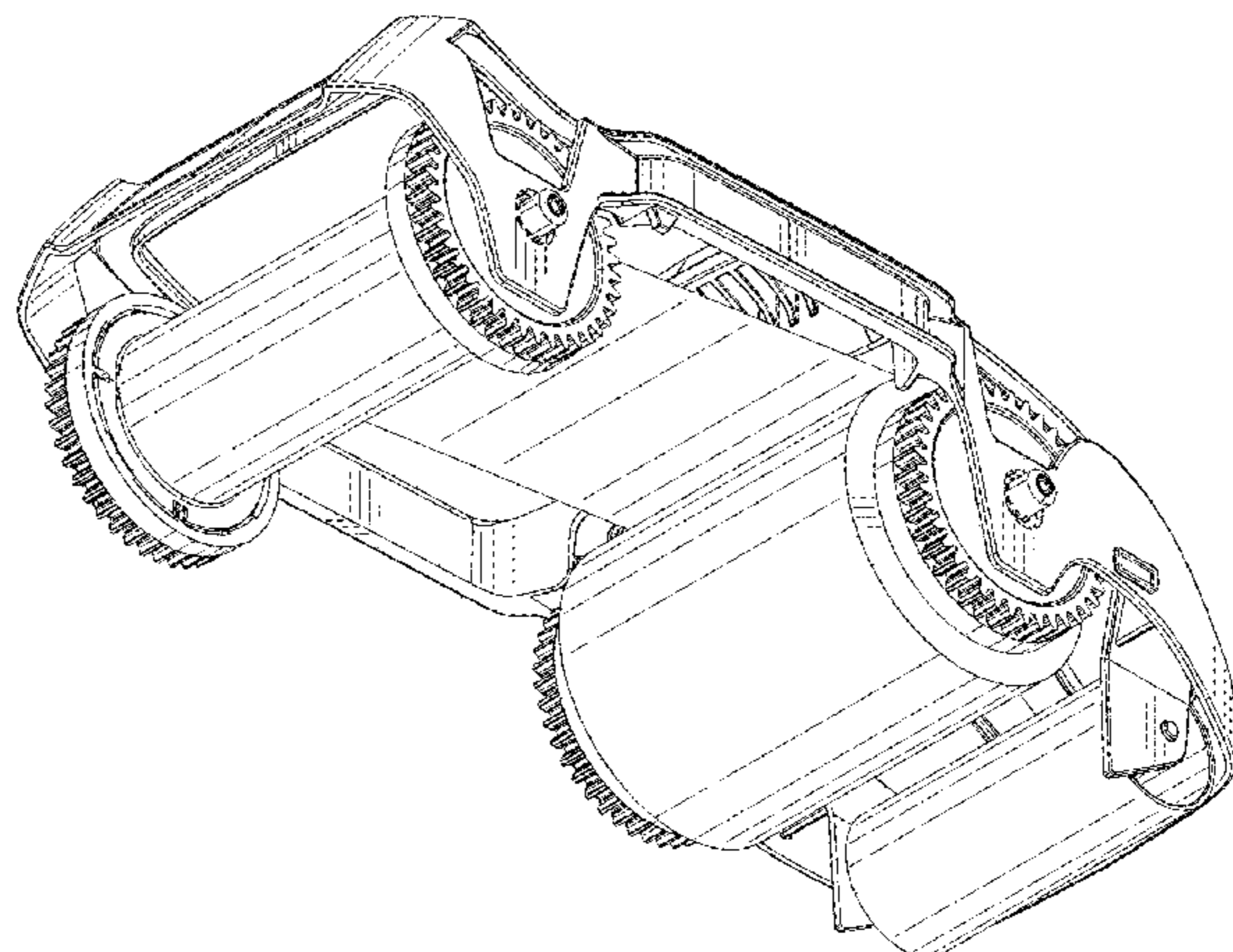
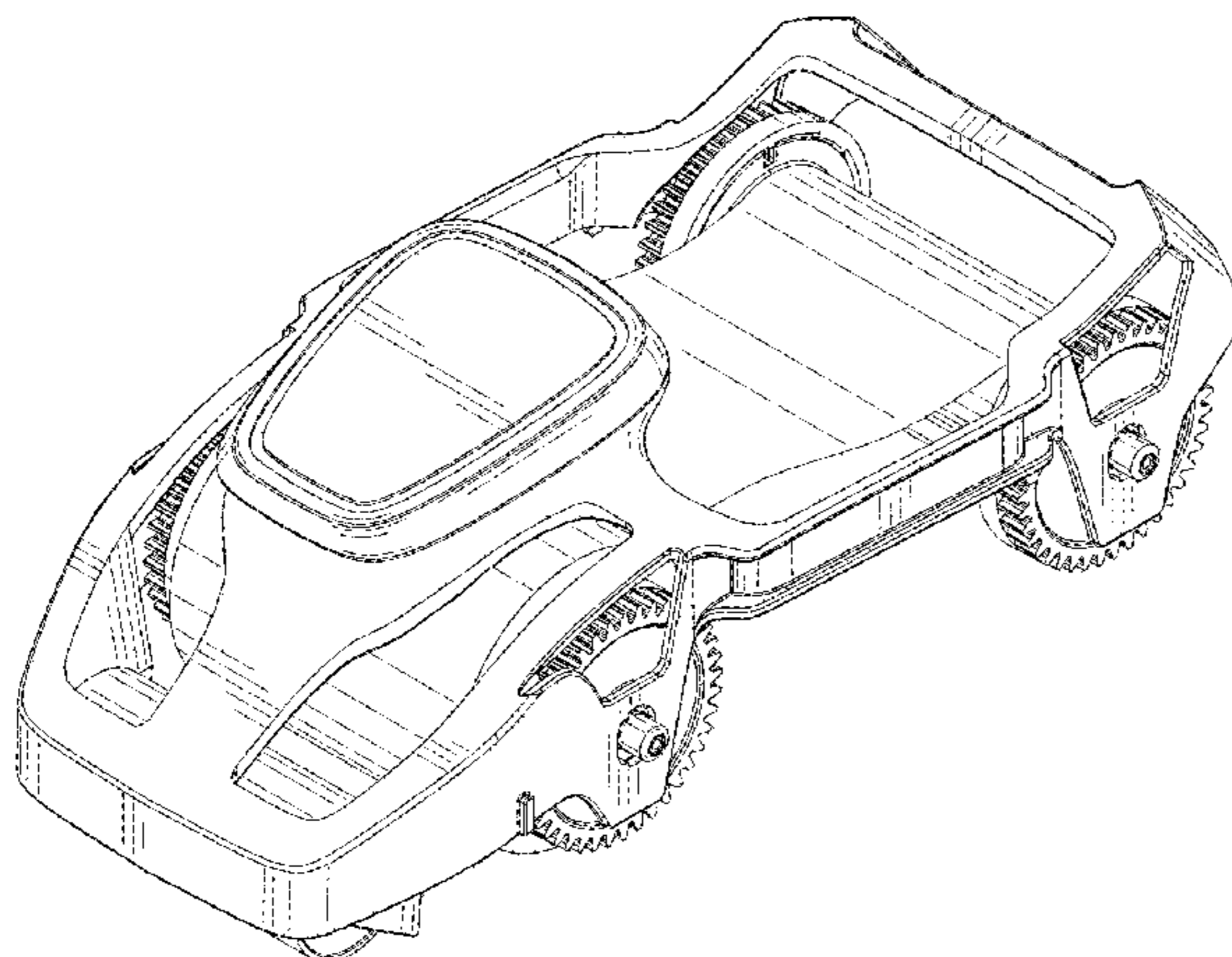
(57) **CLAIM**

We claim the ornamental design for a ribbon cartridge, as
shown and described.

DESCRIPTION

FIG. 1 is a first perspective view of a ribbon cartridge
showing our new design;
FIG. 2 is a second perspective view thereof;
FIG. 3 is a first side view thereof;
FIG. 4 is a second side view thereof;
FIG. 5 is a top view thereof;
FIG. 6 is a bottom view thereof;
FIG. 7 is a front view thereof; and,
FIG. 8 is a back view thereof.

1 Claim, 7 Drawing Sheets



(56)

References Cited

U.S. PATENT DOCUMENTS

D458,956 S * 6/2002 Neri D18/12
 D464,670 S * 10/2002 Du D18/12
 D480,749 S * 10/2003 Milton D18/18
 D481,414 S * 10/2003 Milton D18/18
 6,659,664 B1 * 12/2003 Holland B41J 17/16
 400/207
 D504,907 S * 5/2005 Neri D18/12
 D505,445 S * 5/2005 Neri D18/12
 D514,153 S * 1/2006 Tu 400/208
 D521,052 S * 5/2006 Tu D18/12
 D523,062 S * 6/2006 Tu D18/12
 D523,063 S * 6/2006 Tu D18/12
 D523,891 S * 6/2006 Tu D18/12
 D527,761 S * 9/2006 Neri D18/12
 D531,657 S * 11/2006 Yamamoto D18/12
 D539,842 S * 4/2007 Minami D18/56
 D541,854 S * 5/2007 Motoki D18/56
 D544,536 S * 6/2007 Motoki D18/56
 D544,910 S * 6/2007 Wang D18/56
 D545,358 S * 6/2007 Motoki D18/56
 D545,883 S * 7/2007 Yamamoto D18/12
 D552,171 S * 10/2007 Motoki 347/86
 D569,901 S * 5/2008 Jao 347/214
 D586,843 S * 2/2009 Hashimoto D18/12
 D587,745 S * 3/2009 Hashimoto D18/12
 D589,552 S * 3/2009 Sulser D18/56
 D589,553 S * 3/2009 Sulser D18/56
 D593,595 S * 6/2009 Kubota D18/12
 D594,503 S * 6/2009 Sakano D18/12
 D594,898 S * 6/2009 Preliasco D18/12
 D597,594 S * 8/2009 Ito 347/214
 D599,843 S * 9/2009 Jao D18/12
 D614,169 S * 4/2010 Jiang D14/207
 D654,533 S * 2/2012 Carter, II G03G 21/18
 D18/56
 D674,839 S * 1/2013 Sakano D18/56
 D699,301 S * 2/2014 Pak D14/143
 D737,352 S * 8/2015 May D15/145
 D757,172 S * 5/2016 Tanaka D18/56
 D760,827 S * 7/2016 May D15/145
 D765,774 S * 9/2016 Tanaka D18/56
 D791,777 S * 7/2017 Luo D14/447
 2004/0109715 A1 6/2004 Meier et al.
 2005/0024471 A1 * 2/2005 Okuie B41J 17/32
 347/214

2006/0239743 A1 * 10/2006 Naito B41J 17/32
 400/208
 2006/0251461 A1 * 11/2006 Ludwig B41J 3/50
 400/701
 2007/0020011 A1 * 1/2007 Maruyanna B41J 17/30
 400/208
 2007/0025791 A1 * 2/2007 Lin B41J 17/28
 400/208
 2007/0077107 A1 * 4/2007 Dochi B41J 17/32
 400/208
 2011/0217109 A1 9/2011 Cronin et al.
 2015/0062278 A1 * 3/2015 Suzuki B41J 17/32
 347/214
 2015/0145940 A1 * 5/2015 Suzuki B41J 33/16
 347/214
 2015/0283834 A1 * 10/2015 Ohta B41J 2/325
 347/214
 2016/0067991 A1 * 3/2016 Gao B41J 17/32
 347/214
 2016/0176213 A1 * 6/2016 Tanaka B41J 15/042
 347/214

OTHER PUBLICATIONS

Zebra P330i/330M Card Printer User's Manual, Manual, 2004/
 2005, pp. 26 and 27, 980459-001 Rev. C, ZIH Corp.
 Printing and Encoding Solutions, Fargo HDP8500 Industrial Card
 Printer/Encoder, Brochure, 2014, p. 3, Fargo.
 Polaroid XPS Card Printer, Installation and User Guide, Jun. 2011,
 entire document, Part No. 539957-020 Rev. A.
 Evolis Tattoo 2: User's Guide, Sep. 2007, entire document, Evolis
 Card Printer.
 U.S. Appl. No. 15/644,048, filed Jul. 7, 2017.
 Evolis Primacy User Guide, Manual, Sep. 2016, entire document,
 Ref# KU-PRM1-C37-ENC Rev. C6, Evolis.
 NBS Technologies Card Printer, Javelin DNA User Guide Manual,
 Manual, 2015, entire document.
 U.S. Appl. No. 14/670,961, filed Mar. 27, 2015.
 U.S. Appl. No. 15/807,043, filed Nov. 8, 2017.
 U.S. Appl. No. 15/951,817, filed Apr. 12, 2018.
 U.S. Appl. No. 15/643,966, filed Jul. 7, 2017.
 U.S. Appl. No. 15/643,925, filed Jul. 7, 2017.
 U.S. Appl. No. 15/644,017, filed Jul. 7, 2017.

* cited by examiner

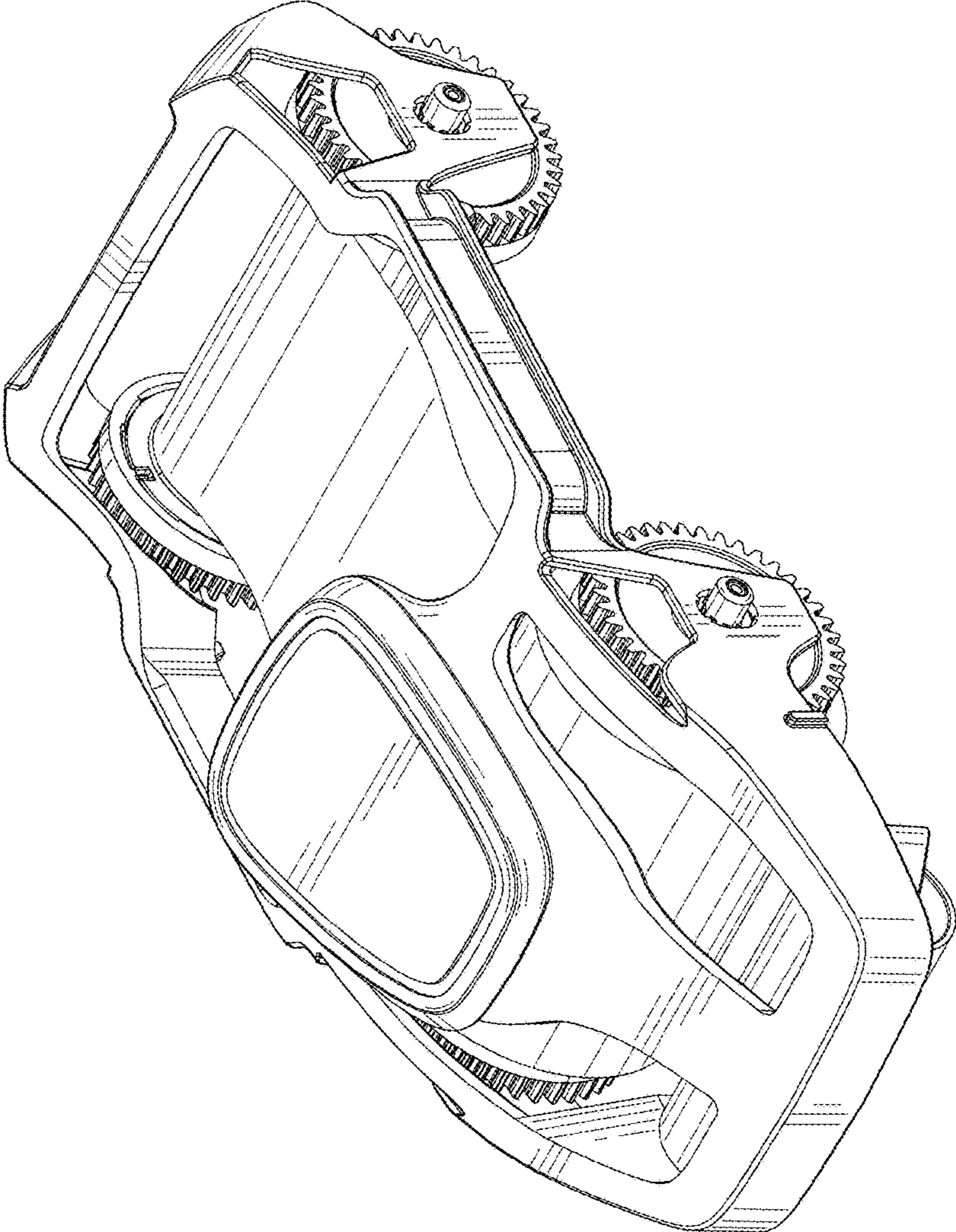


FIG. 1

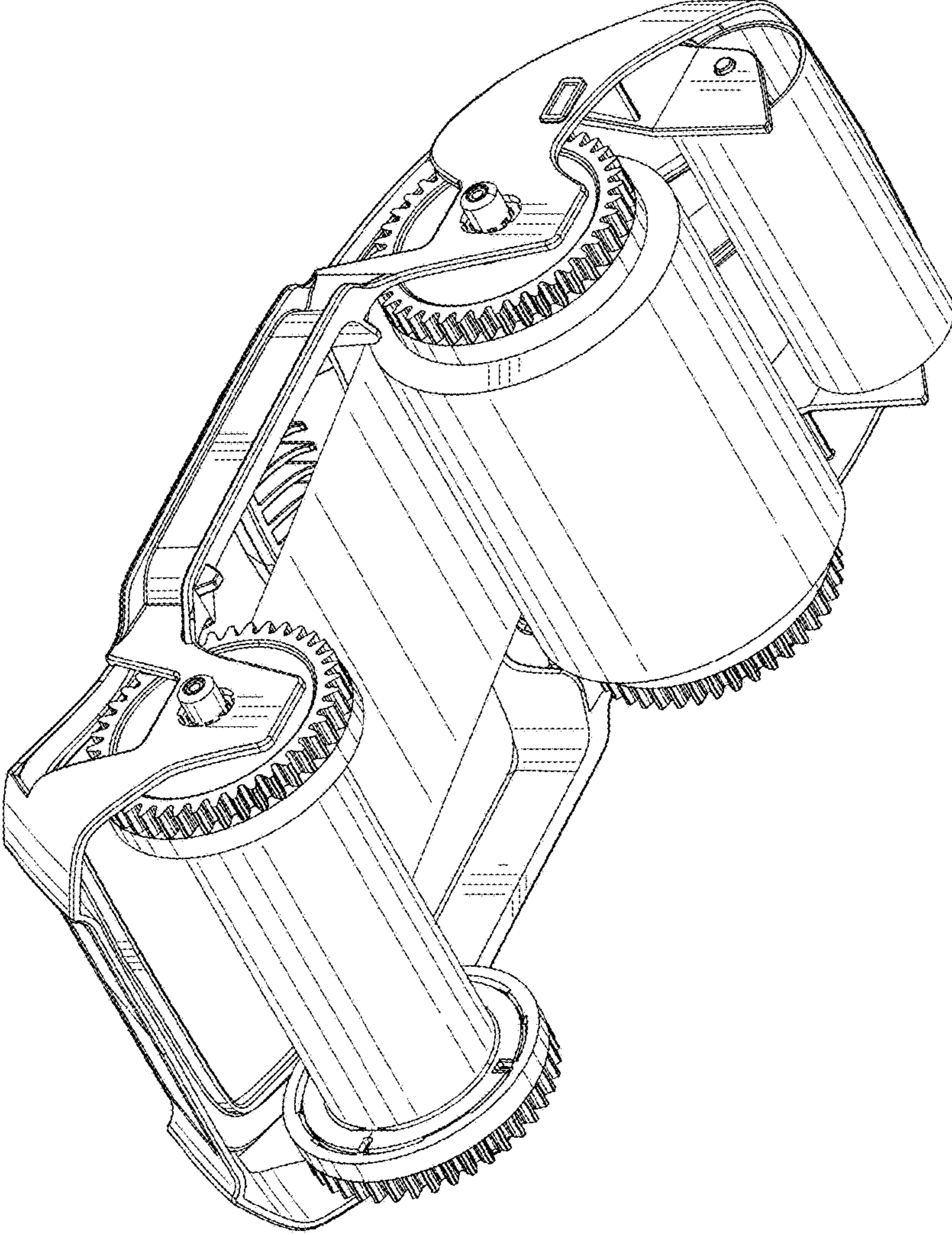


FIG. 2

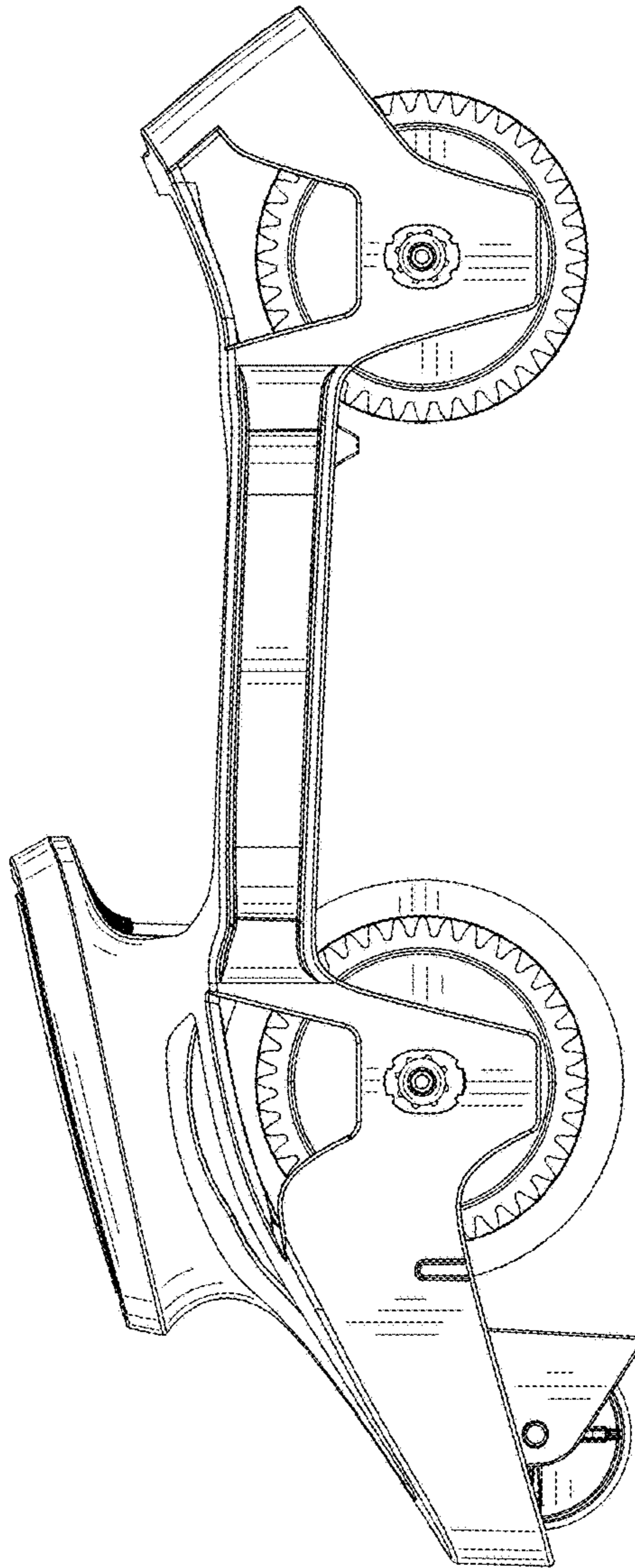


FIG. 3

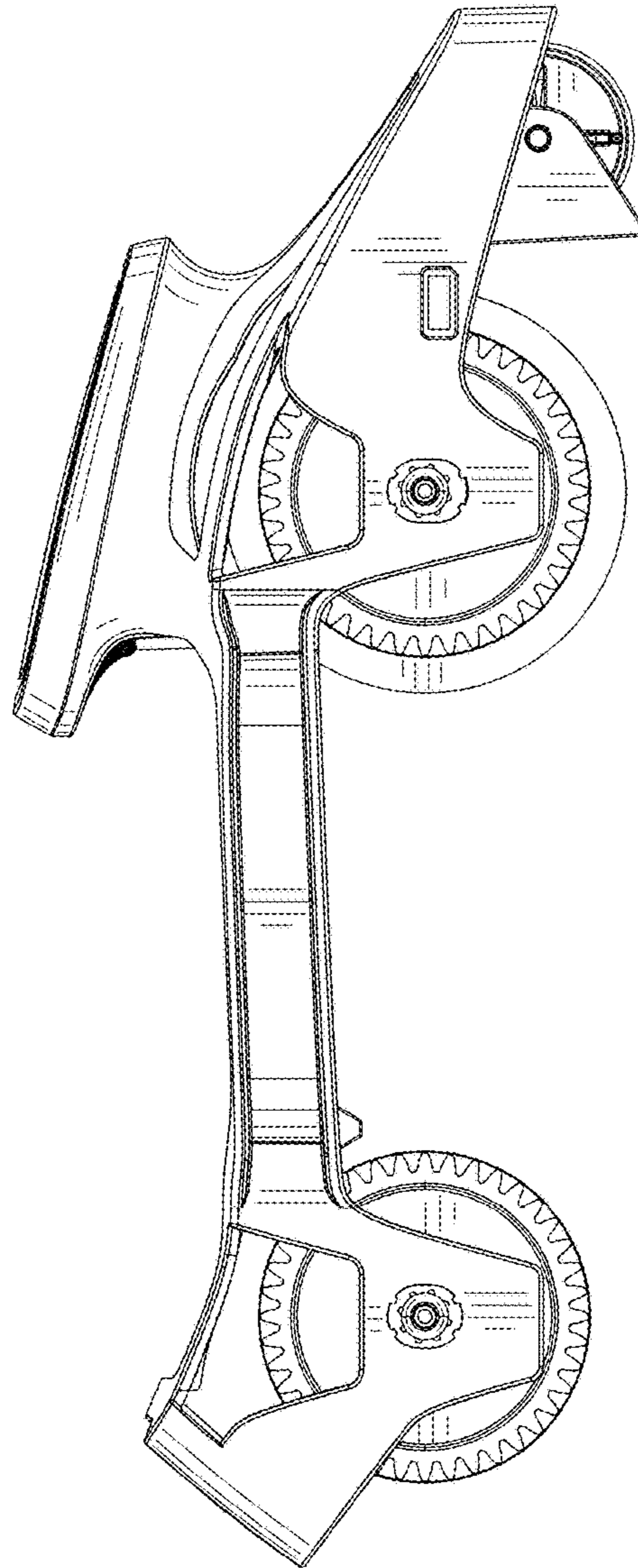


FIG. 4

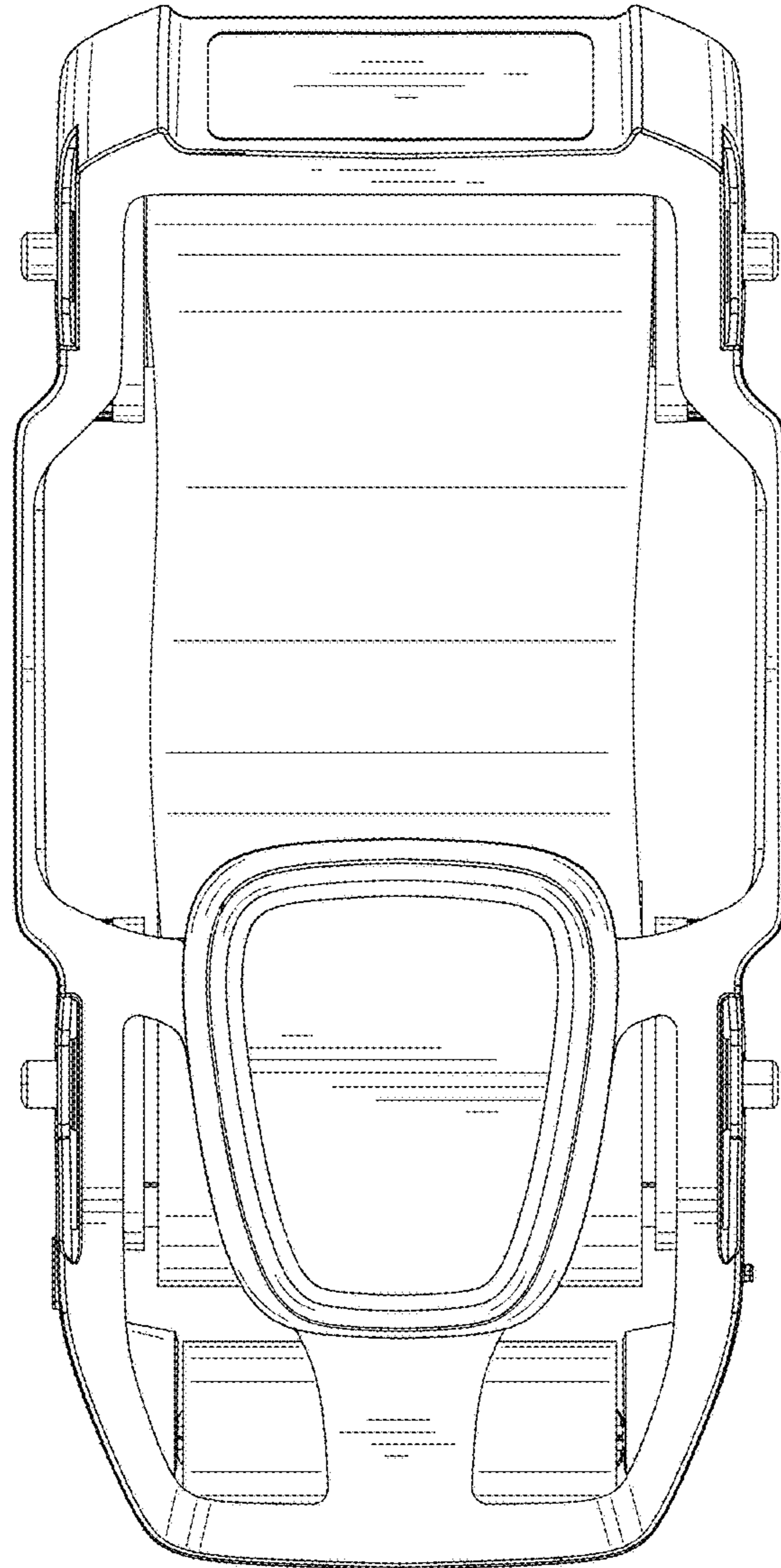


FIG. 5

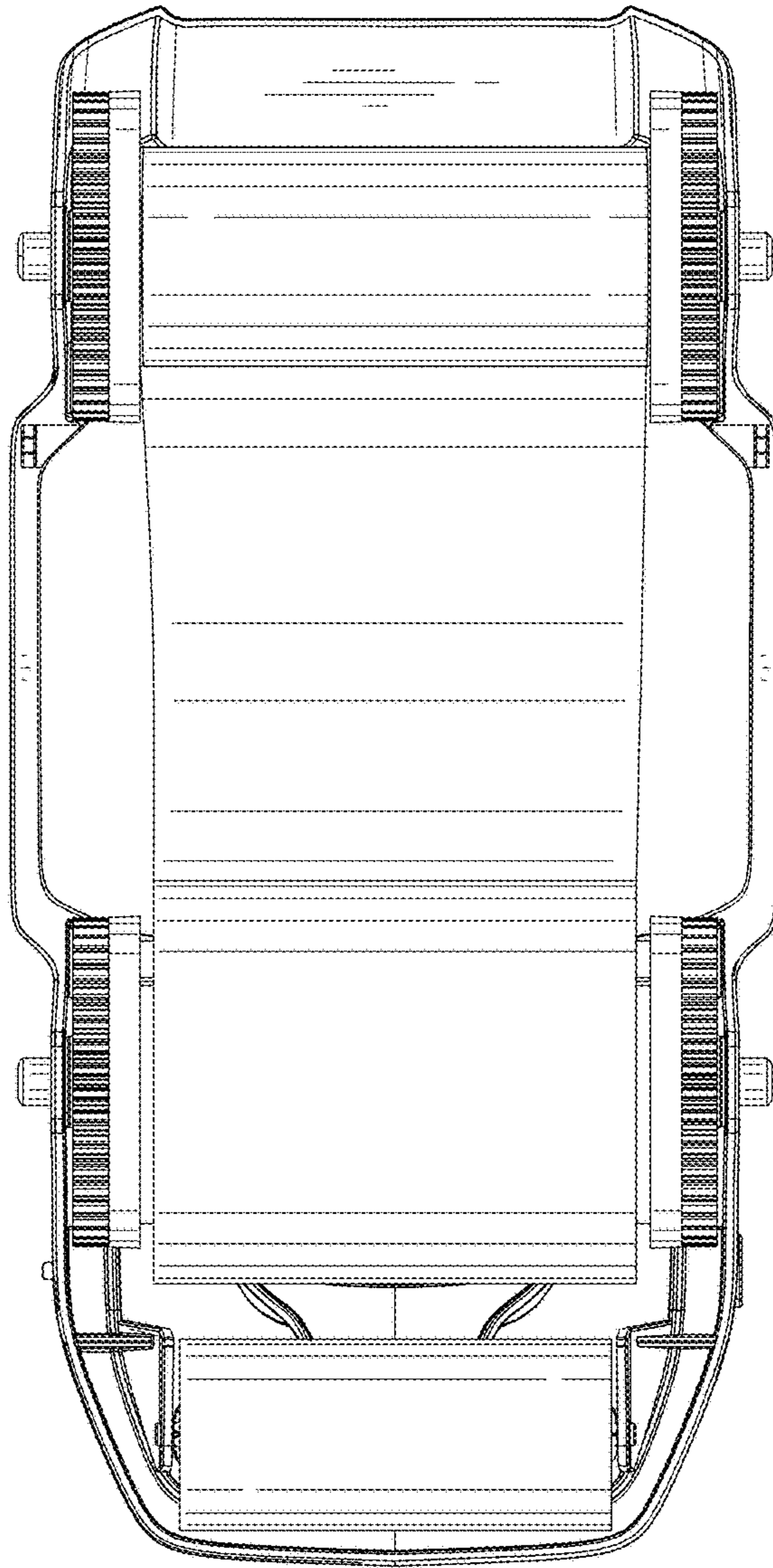


FIG. 6

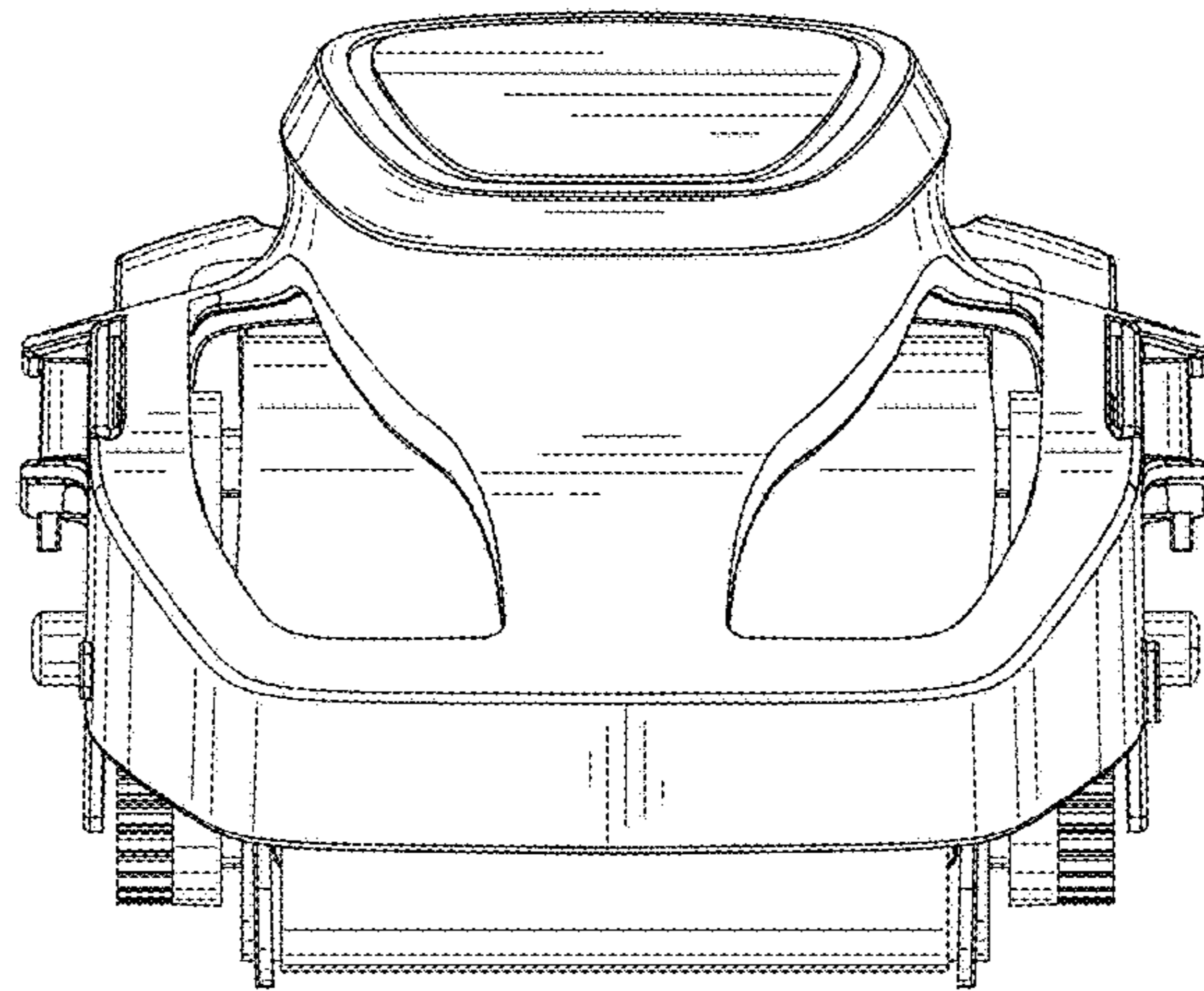


FIG. 7

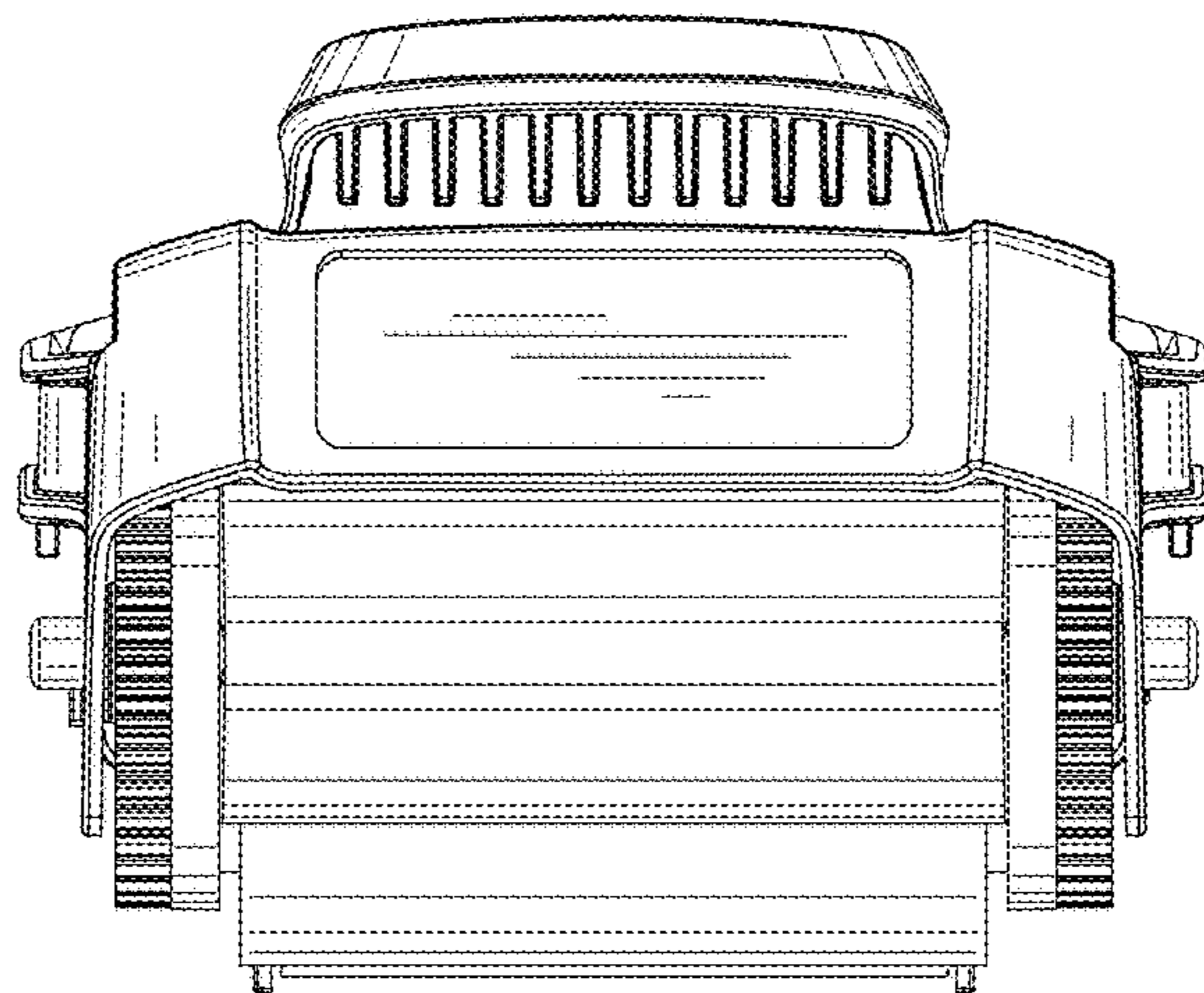


FIG. 8