



US00D848525S

(12) **United States Design Patent** (10) **Patent No.:** **US D848,525 S**  
**Asano et al.** (45) **Date of Patent:** **\*\* May 14, 2019**

(54) **PRINTER**

(71) Applicant: **BROTHER INDUSTRIES, LTD.**,  
Nagoya-shi, Aichi-ken (JP)

(72) Inventors: **Masahide Asano**, Nagoya (JP);  
**Yukihiko Sato**, Nagoya (JP);  
**Hiromitsu Tanaka**, Nagoya (JP)

(73) Assignee: **BROTHER INDUSTRIES, LTD.**,  
Nagoya (JP)

D667,488 S \* 9/2012 Inoue ..... D18/55  
D698,389 S \* 1/2014 Fukasawa ..... D18/55  
D785,702 S \* 5/2017 Sato et al.  
D800,216 S \* 10/2017 Sato ..... D18/55  
D812,134 S \* 3/2018 Tashima ..... D18/50  
D818,532 S \* 5/2018 Sato ..... D18/55  
D832,916 S \* 11/2018 Yin ..... D18/55  
2016/0309046 A1\* 10/2016 Xie ..... H04N 1/0032  
2017/0067278 A1\* 3/2017 Tomatsu ..... E05F 5/02  
2017/0217702 A1\* 8/2017 Ozeki ..... B65H 1/04

(\*\*) Term: **15 Years**

(21) Appl. No.: **29/618,479**

(22) Filed: **Sep. 21, 2017**

(30) **Foreign Application Priority Data**

Mar. 23, 2017 (JP) ..... 2017-5846

(51) **LOC (11) Cl.** ..... **14-02**

(52) **U.S. Cl.**  
USPC ..... **D18/50; D18/55**

(58) **Field of Classification Search**  
USPC ..... D18/36-37, 50, 55, 53, 54.1, 39, 54;  
D14/421  
CPC ... B41J 11/00; B41J 11/58; B41J 15/00; B41J  
15/12; B41J 15/42; G03G 21/1633; G06K  
15/12  
See application file for complete search history.

(56) **References Cited**

**U.S. PATENT DOCUMENTS**

D435,858 S \* 1/2001 Hatanaka ..... D18/39  
D561,251 S \* 2/2008 Tjin Wong Joe ..... D18/55  
D579,973 S \* 11/2008 Park ..... D14/421  
D586,385 S \* 2/2009 Kim ..... D18/55  
D661,345 S \* 6/2012 Asano ..... D18/50

**OTHER PUBLICATIONS**

The Design U.S. Appl. No. 29/541,069, filed Sep. 30, 2015 in the name of Yukihiko Sato et al.  
The Design U.S. Appl. No. 29/541,061, filed Sep. 30, 2015 in the name of Yukihiko Sato et al.  
The Design U.S. Appl. No. 29/576,248, filed Sep. 1, 2016 in the name of Masahide Asano et al.

\* cited by examiner

*Primary Examiner* — Robin V Webster  
*Assistant Examiner* — J. Thorn, Sr.  
(74) *Attorney, Agent, or Firm* — Oliff PLC

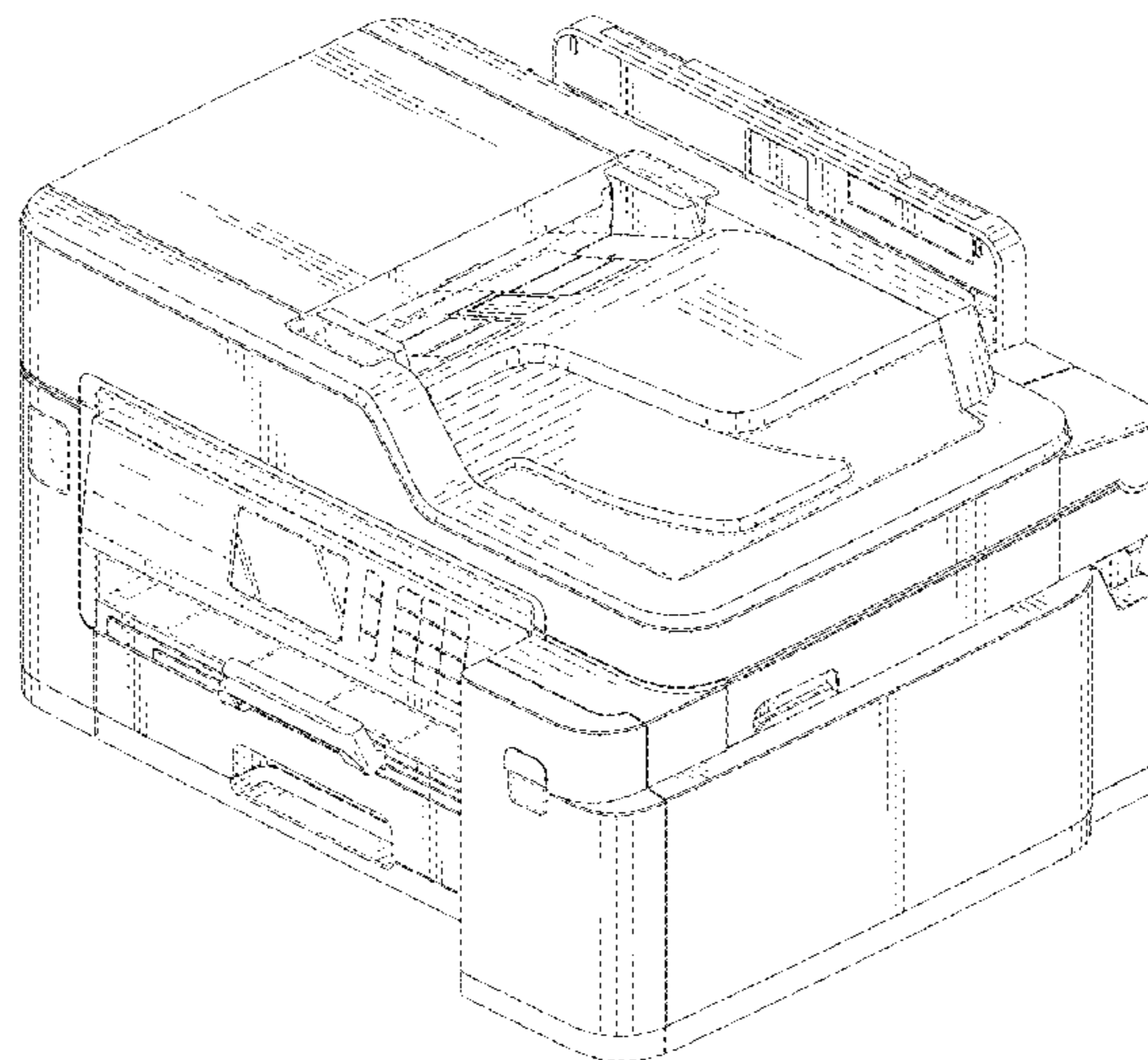
(57) **CLAIM**

The ornamental design for a printer, as shown and described.

**DESCRIPTION**

FIG. 1 is a perspective view of a printer;  
FIG. 2 is a front view thereof;  
FIG. 3 is a top view thereof;  
FIG. 4 is a right-side view thereof;  
FIG. 5 is a left-side view thereof;  
FIG. 6 is a rear view thereof; and,  
FIG. 7 is a bottom view thereof.  
The broken lines depict unclaimed portions of the printer and form no part of the claimed design.

**1 Claim, 7 Drawing Sheets**



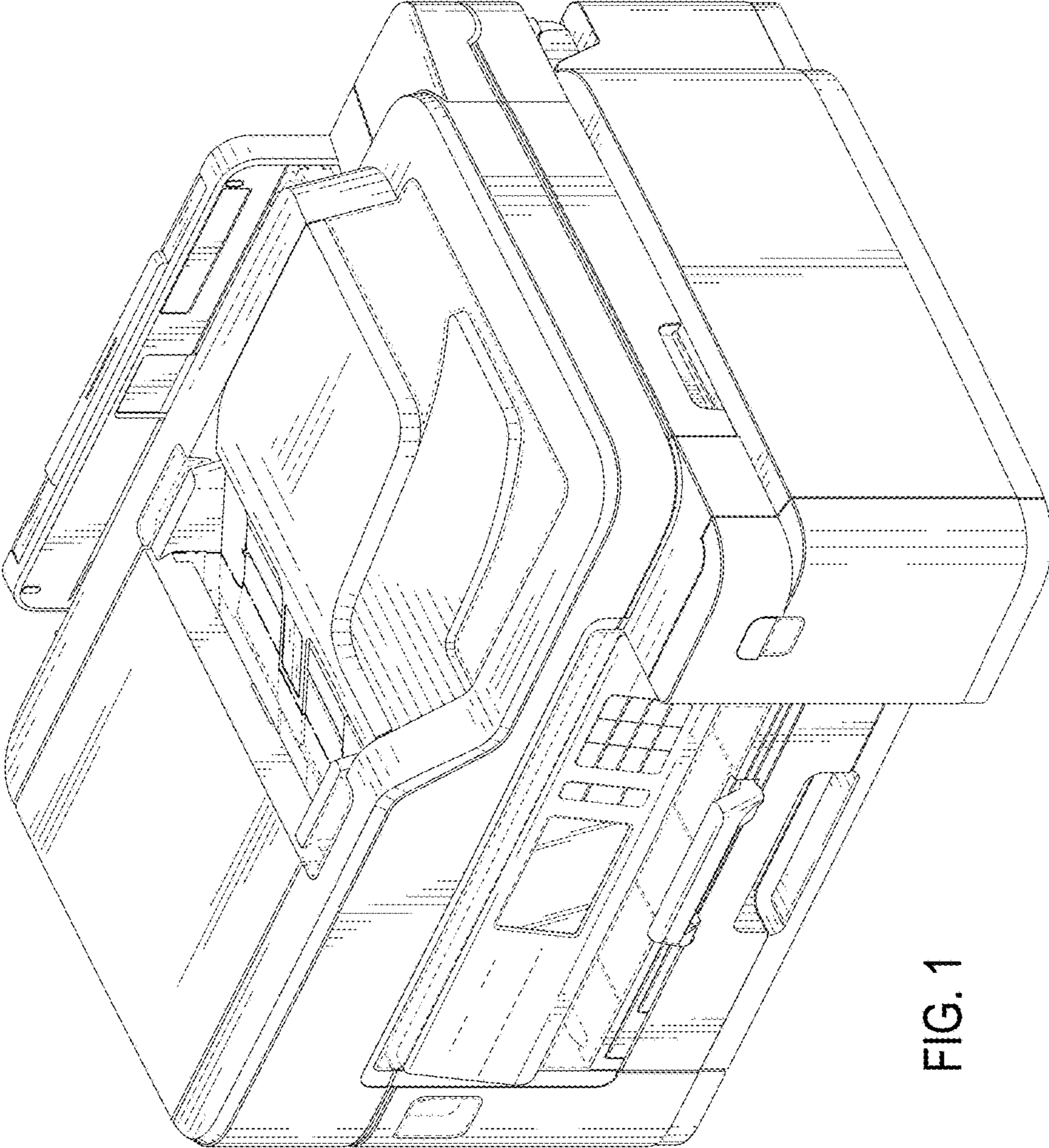


FIG. 1

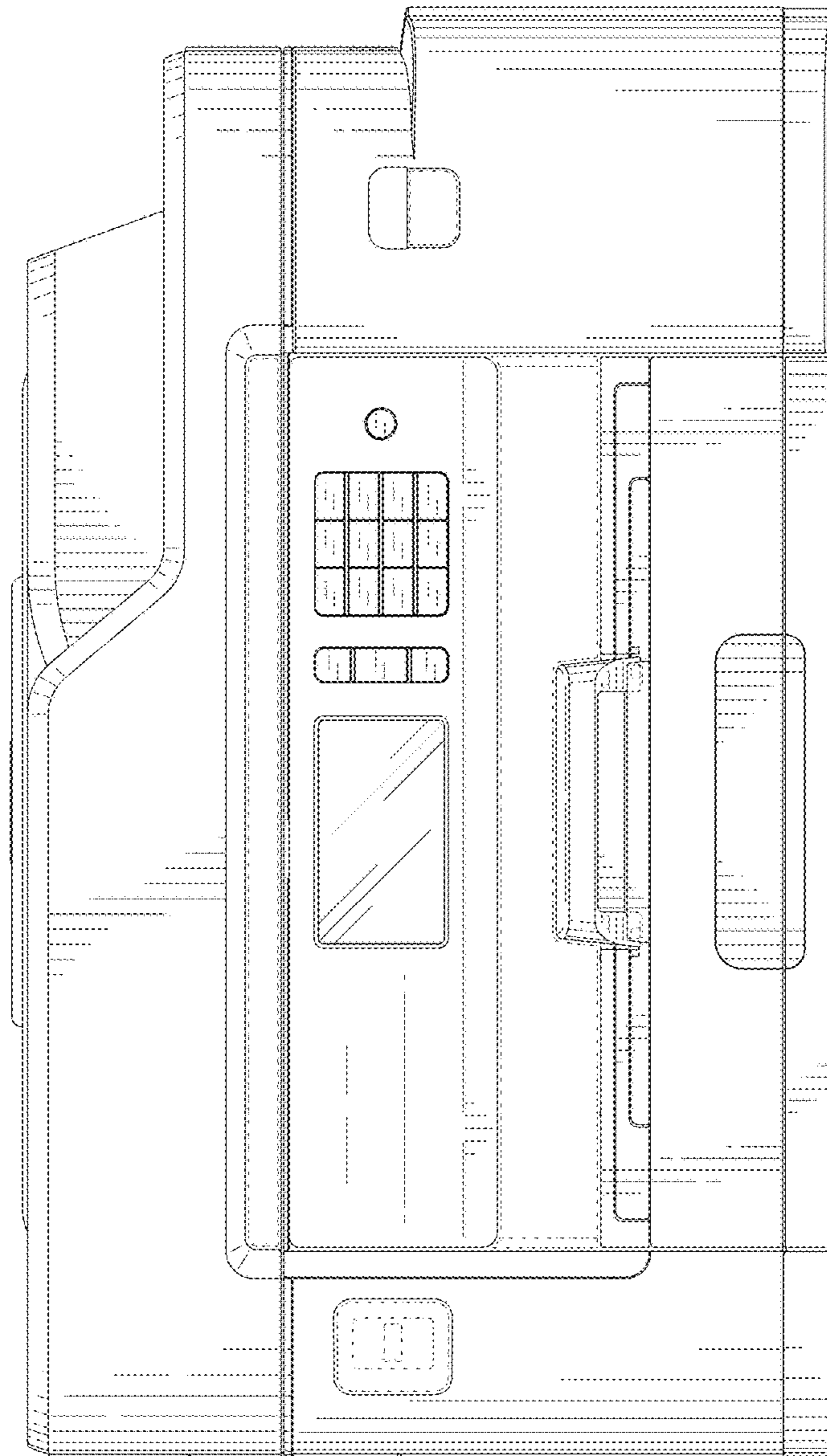


FIG. 2



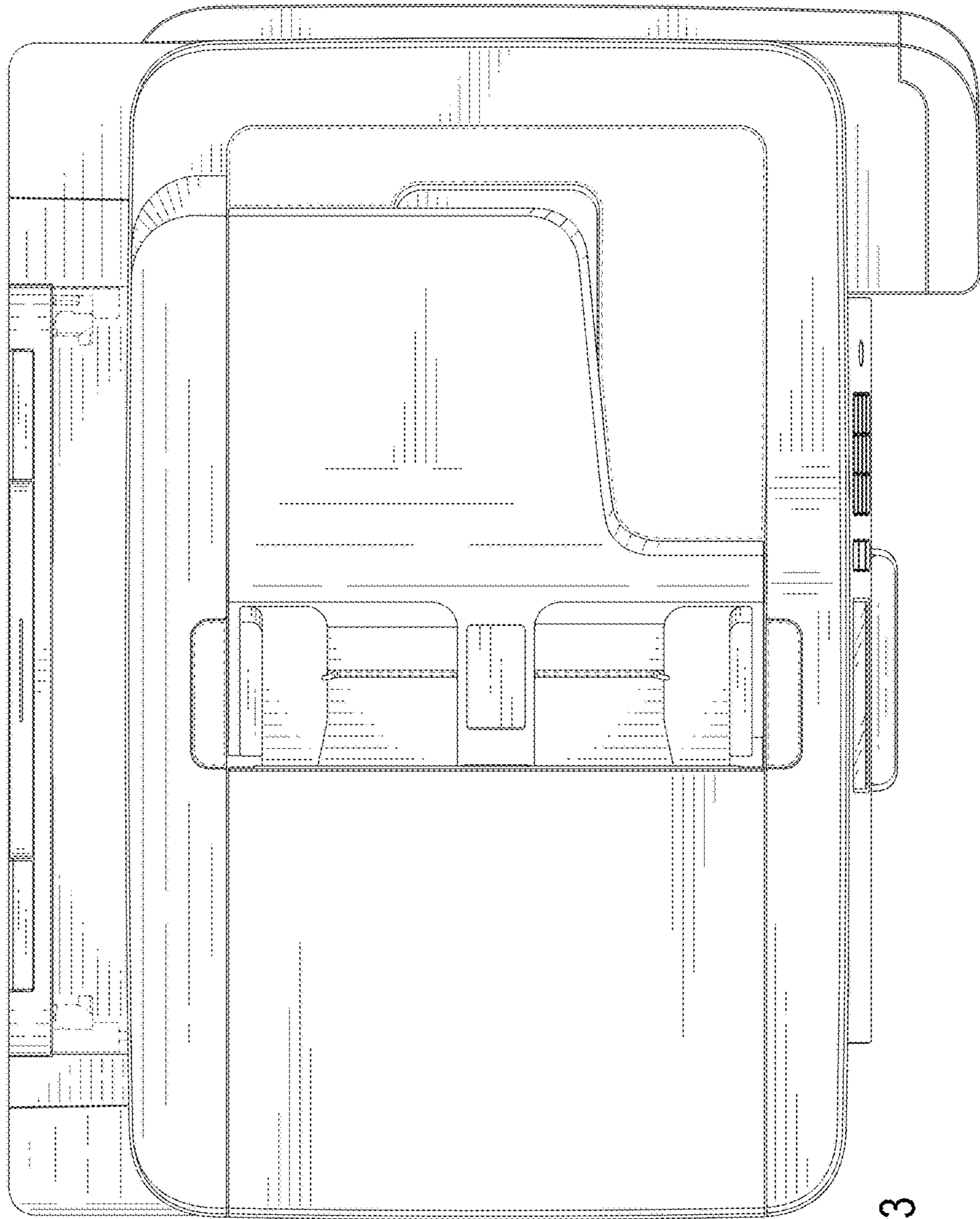


FIG. 3

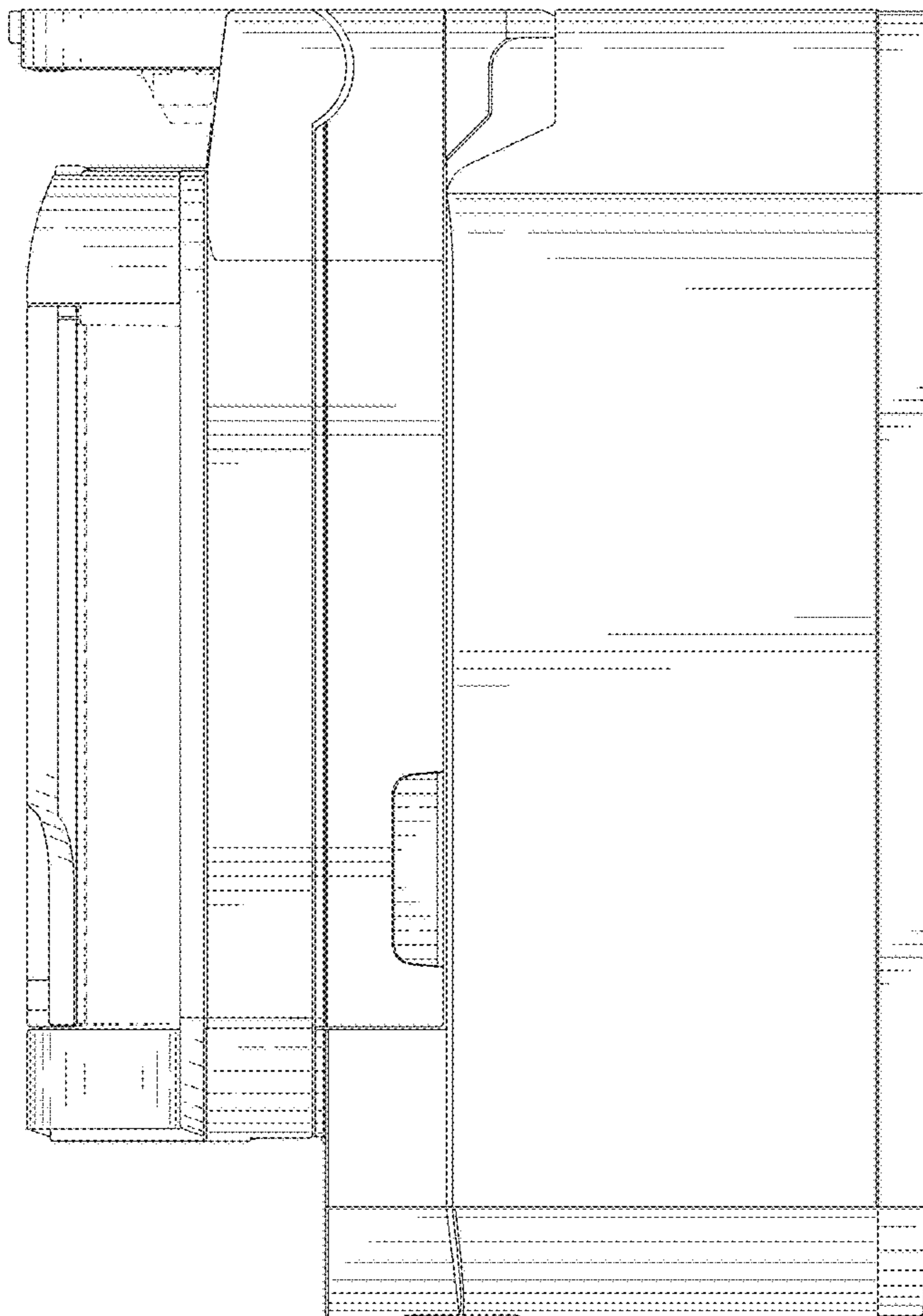


FIG. 4

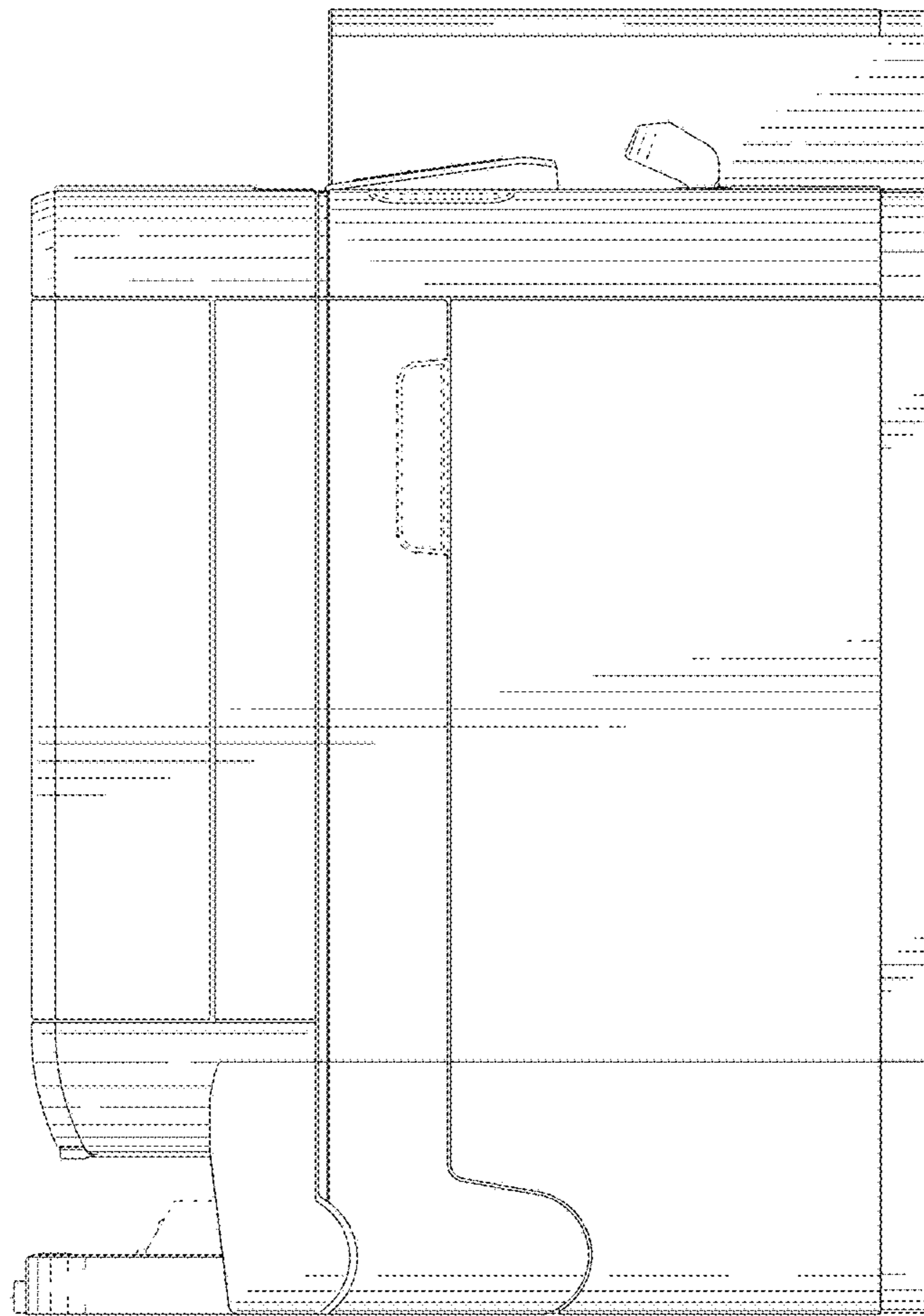


FIG. 5

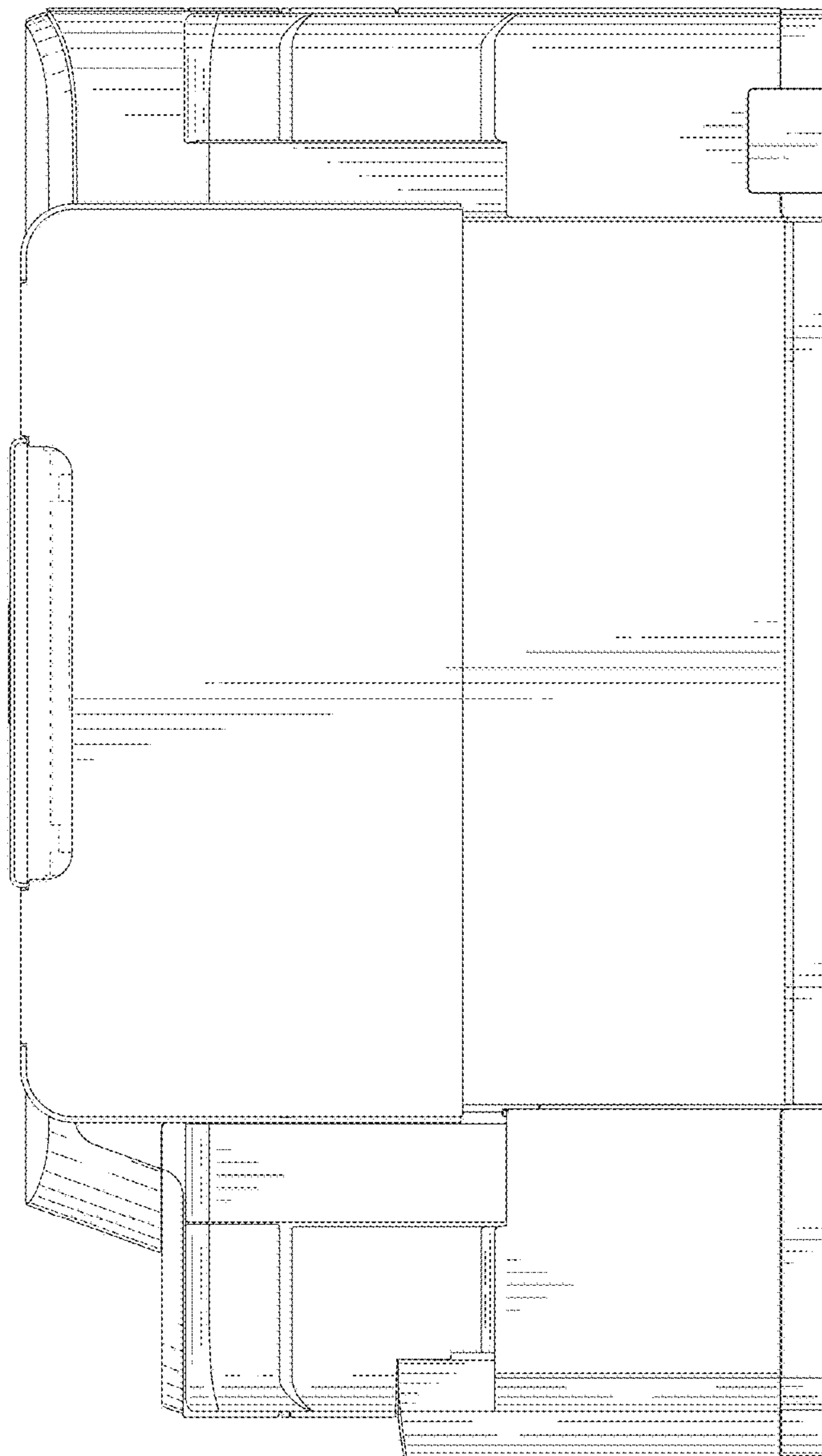


FIG. 6

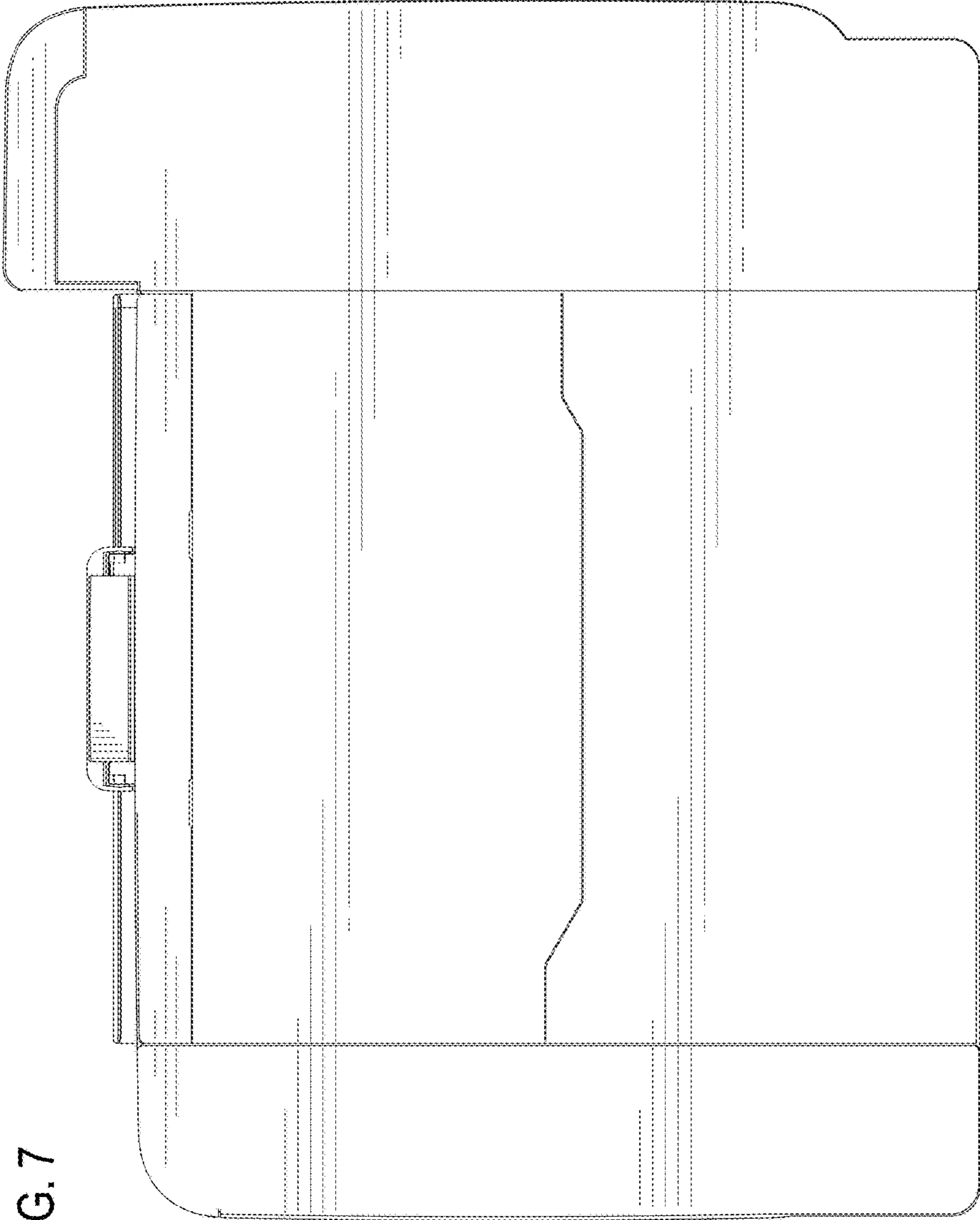


FIG. 7