



US00D848521S

(12) **United States Design Patent**
Be

(10) **Patent No.:** **US D848,521 S**

(45) **Date of Patent:** **** May 14, 2019**

(54) **SOUND AMPLIFICATION DEVICE**

(71) Applicant: **High Touch, L.L.C.**, Edgewater, CO
(US)

(72) Inventor: **Be Be**, Edgewater, CO (US)

(**) Term: **15 Years**

(21) Appl. No.: **29/594,865**

(22) Filed: **Feb. 23, 2017**

Related U.S. Application Data

(63) Continuation-in-part of application No. 29/559,947,
filed on Apr. 1, 2016, now abandoned.

(51) **LOC (11) Cl.** **16-06**

(52) **U.S. Cl.**
USPC **D16/330**

(58) **Field of Classification Search**

USPC D16/101, 300-342, 900; D29/109-110;
D21/483, 659-661; D14/372; 351/41,
351/44, 45-48, 51-52, 62, 158, 92,
351/103-123, 140-153, 63, 59; 2/13, 15,
2/426-432, 447-449, 441, 434-437
CPC G02C 2200/08; G02C 1/06; G02C 5/14;
G02C 11/02; G02C 11/04; G02C 5/16;
G02C 2200/22; G02C 5/146; G02C
5/2254; G02C 5/008; G01C 5/16; A61M
2021/0044; A63B 33/002

See application file for complete search history.

(56) **References Cited**

U.S. PATENT DOCUMENTS

1,621,629 A * 3/1927 Dawson A61F 9/029
2/209
1,761,666 A * 6/1930 Hinternesch A61F 11/008
181/133
2,537,201 A * 1/1951 Amfitheatrof A61F 11/008
181/136

4,768,613 A * 9/1988 Brown A61F 11/008
181/129
4,771,859 A * 9/1988 Breland A61F 11/008
181/129
4,997,056 A * 3/1991 Riley G10K 11/28
181/129
5,189,265 A * 2/1993 Tilkens A42B 1/004
181/133
5,345,512 A * 9/1994 Lee H04R 1/1066
181/136
5,438,706 A * 8/1995 Lambur A61F 9/029
2/13
D371,150 S * 6/1996 Bolash, IV D16/339
D374,451 S * 10/1996 Gurwin D16/327
D387,191 S * 12/1997 Berke D16/304
D391,040 S * 2/1998 Berke D16/304
5,965,850 A 10/1999 Fraser
6,229,901 B1 * 5/2001 Mickelson A61F 11/008
181/128

(Continued)

Primary Examiner — Michelle E. Wilson

Assistant Examiner — Sanjeev Paul

(74) *Attorney, Agent, or Firm* — Reilly Intellectual
Property Law Firm

(57) **CLAIM**

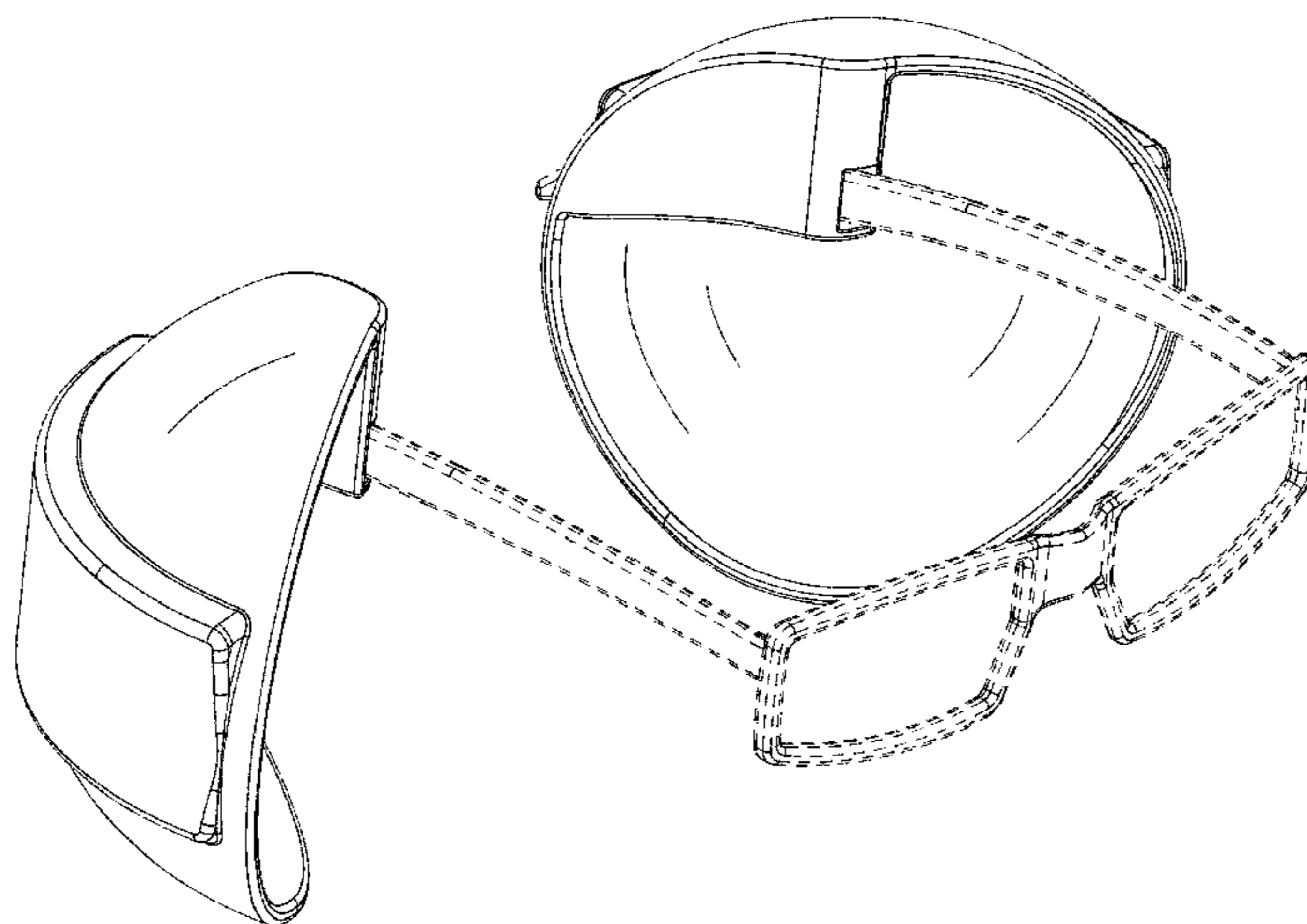
The ornamental design for a sound amplification device, as
shown and described.

DESCRIPTION

FIG. 1 is a front perspective view showing my new design;
FIG. 2 is a top view of FIG. 1;
FIG. 3 is a front view of FIG. 1;
FIG. 4 is right side view of FIG. 1;
FIG. 5 is a left side view of FIG. 1; and,
FIG. 6 is a bottom view of FIG. 1.

The broken lines are included for the purpose of illustrating
environmental structure and form no part of the claimed
designs used in FIGS. 1 through 6.

1 Claim, 4 Drawing Sheets



(56)

References Cited

U.S. PATENT DOCUMENTS

8,122,995	B1	2/2012	Riley	
D662,969	S *	7/2012	Napper	D16/309
D667,813	S	9/2012	Hickson	
D674,492	S *	1/2013	Vogel	A61F 11/008 D24/175
D771,740	S *	11/2016	Fromm	D16/309
D771,741	S *	11/2016	Everest	D16/337
D786,957	S *	5/2017	Sheldon	D16/326
2006/0151236	A1	7/2006	McCool	

* cited by examiner

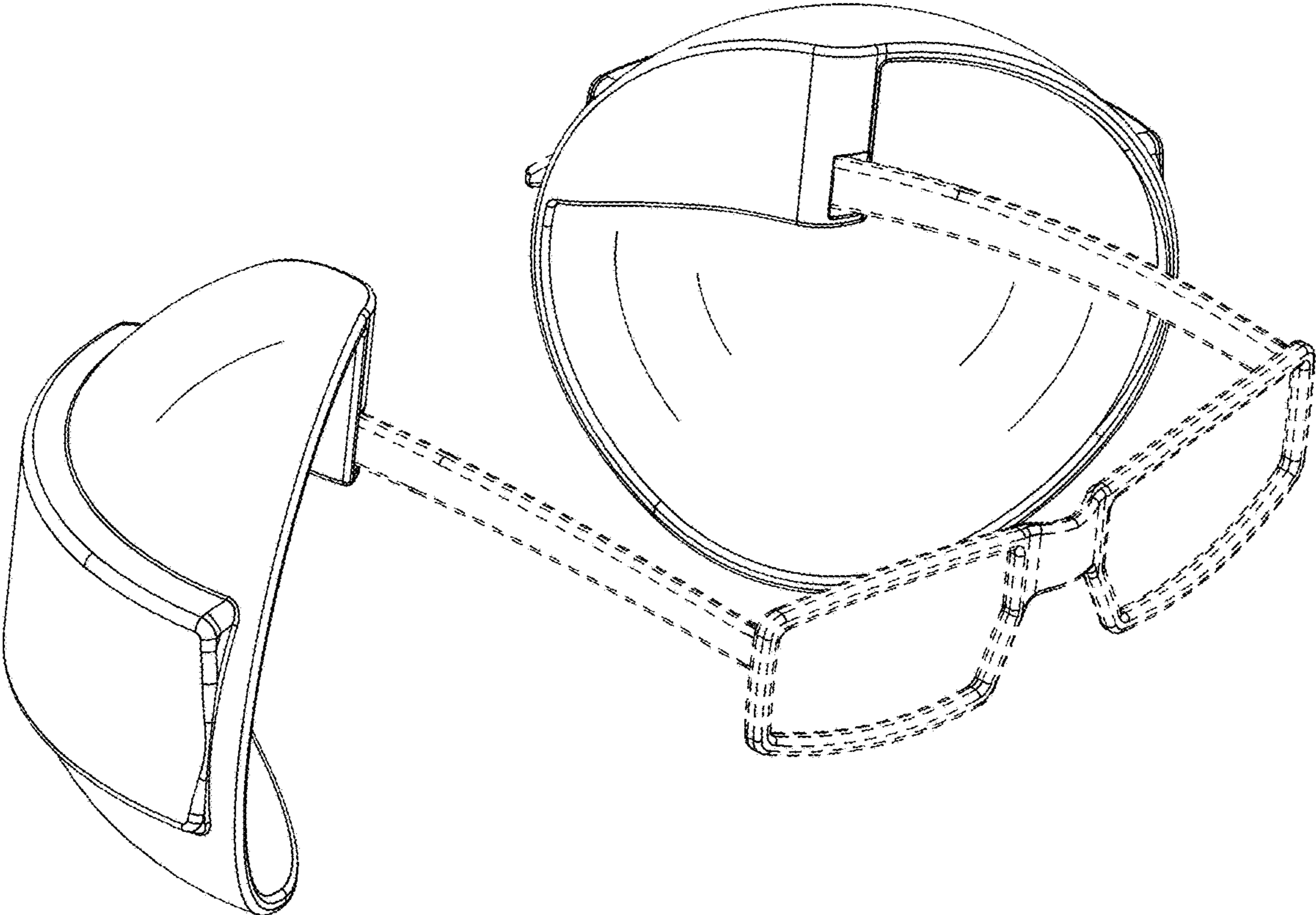


Fig. 1

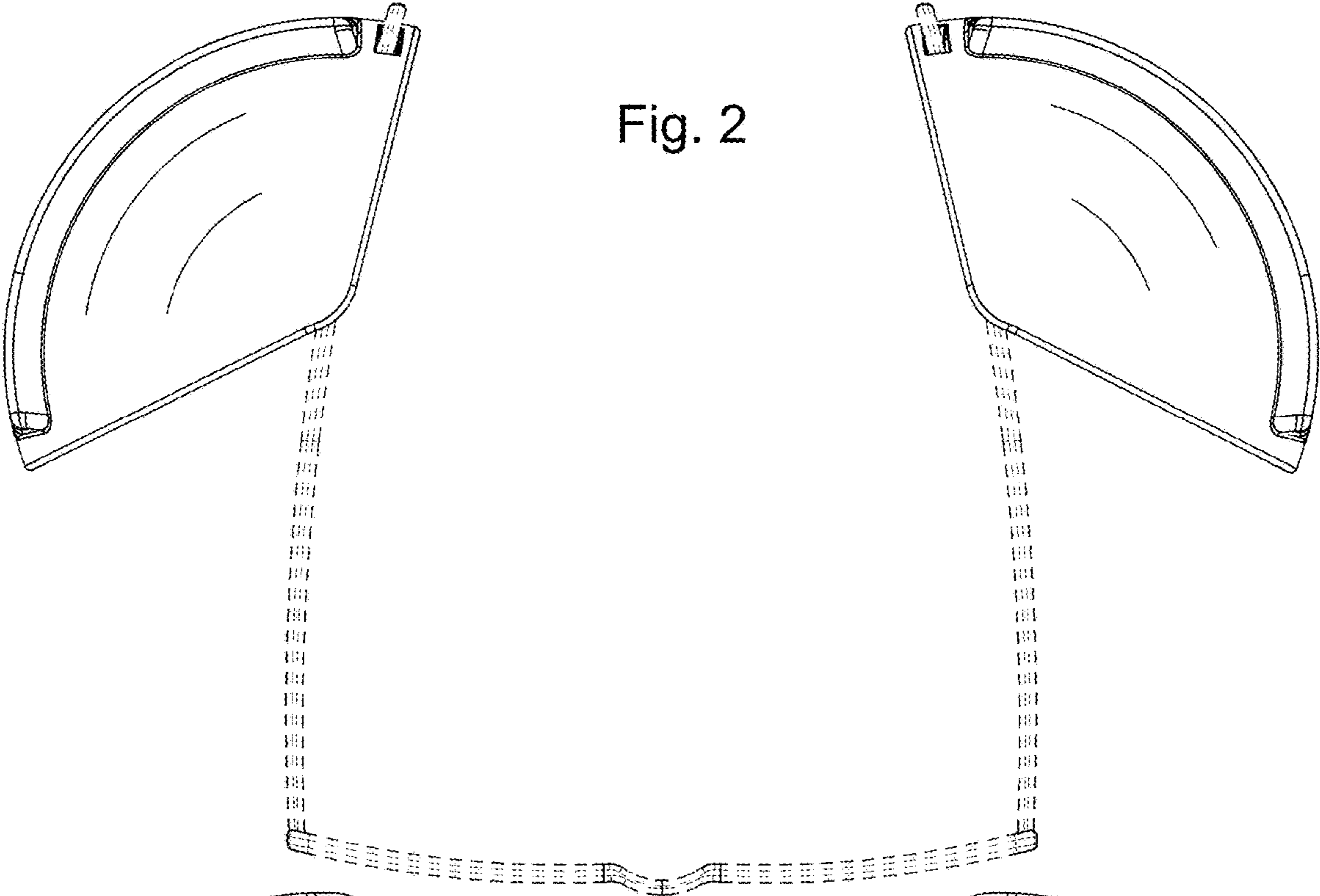


Fig. 2

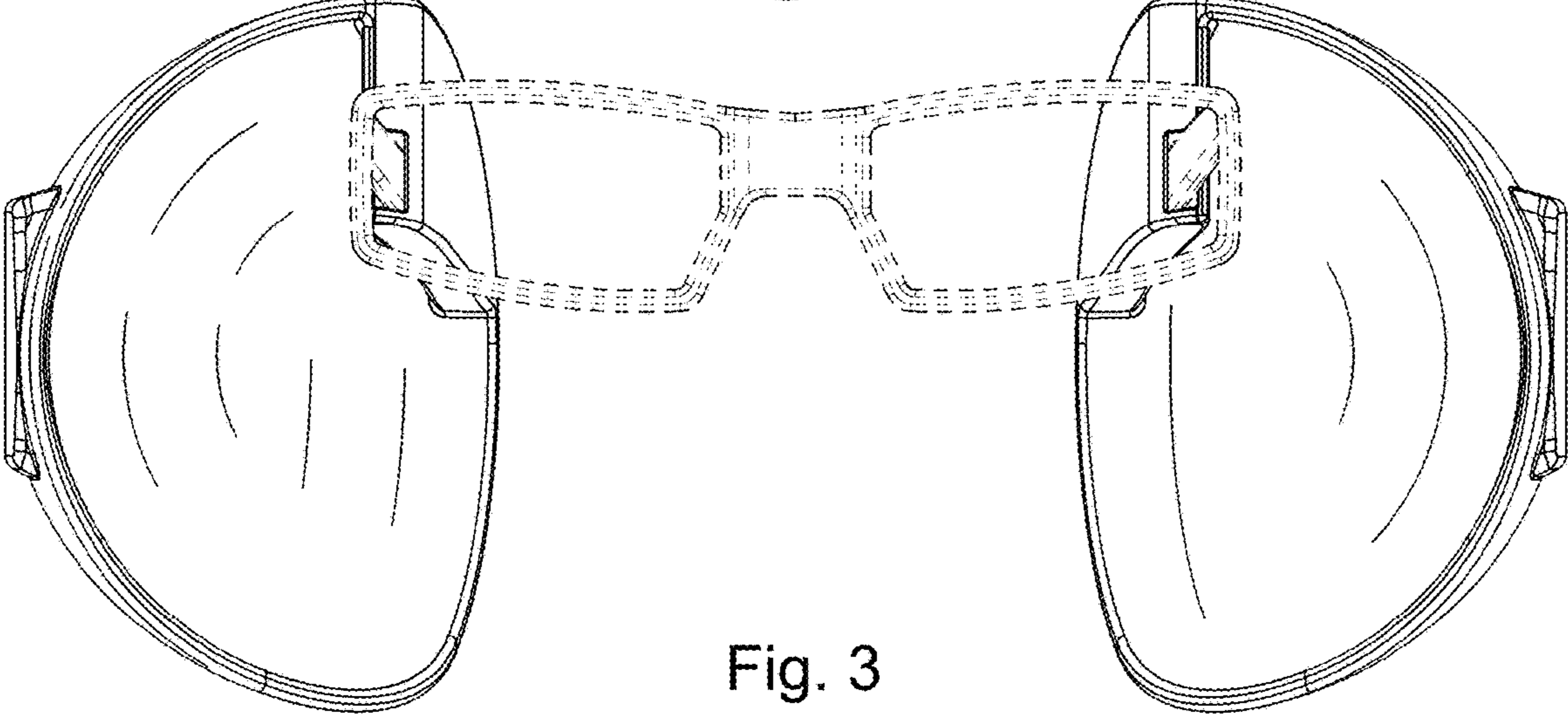


Fig. 3

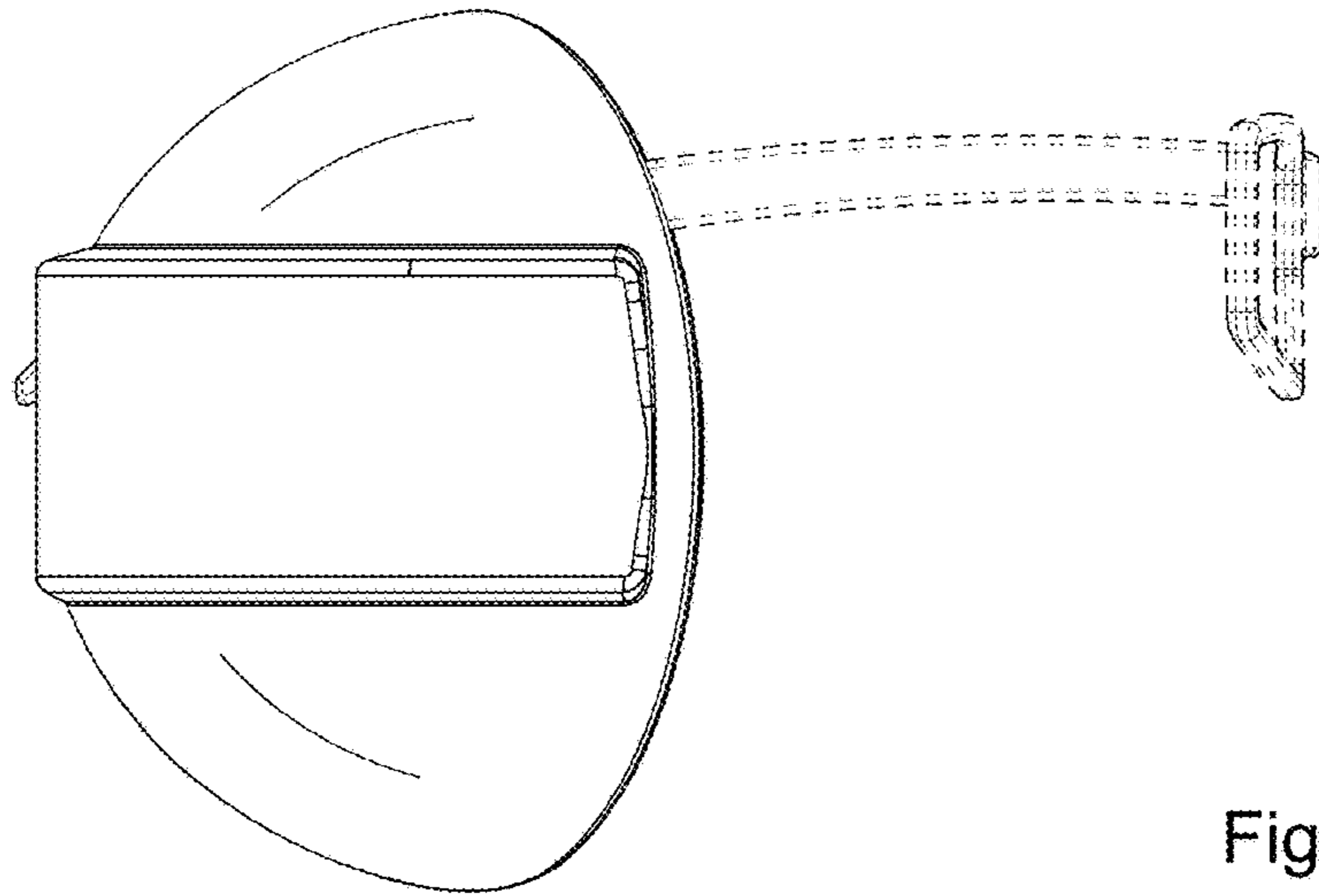


Fig. 4

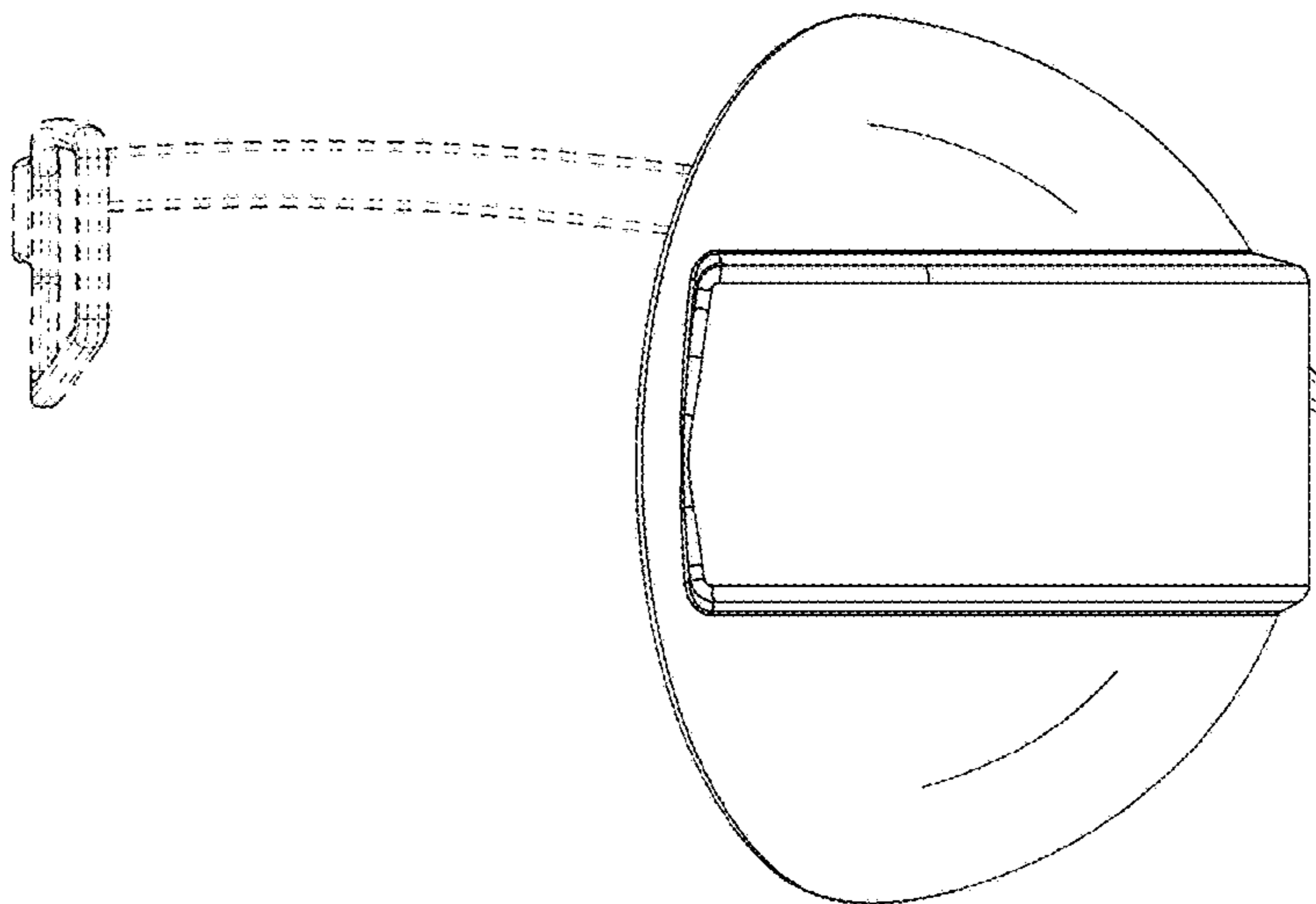


Fig. 5

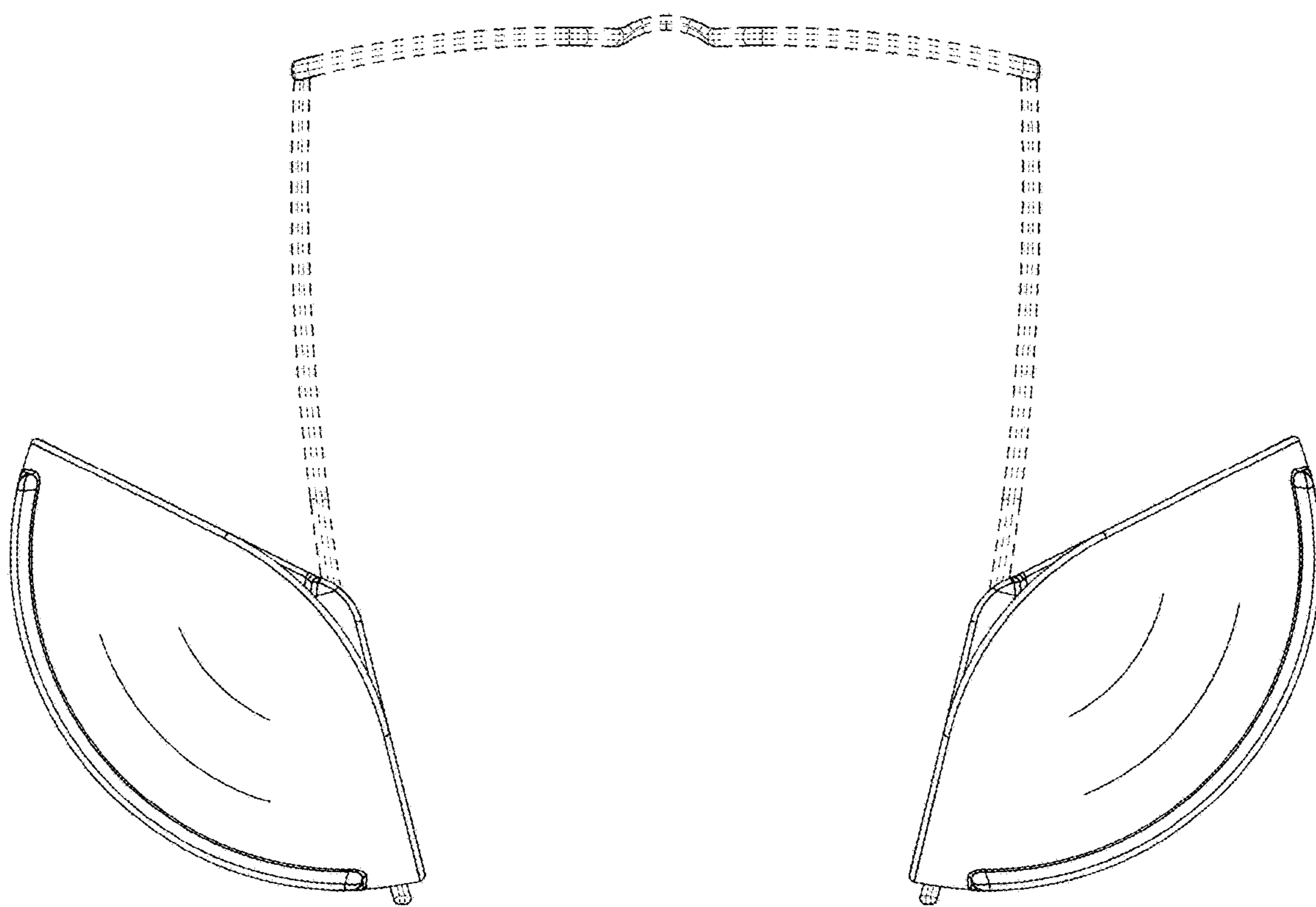


Fig. 6