



US00D848516S

(12) **United States Design Patent**
Park et al.

(10) **Patent No.:** **US D848,516 S**
(45) **Date of Patent:** **** May 14, 2019**

(54) **ELECTRONIC MAGNIFIER**

- (71) Applicant: **C&P Co., LTD.**, Busan (KR)
- (72) Inventors: **Kyeong Min Park**, Seoul (KR);
Kyoung Peo Park, Busan (KR)
- (73) Assignee: **C&P Co., LTD.**, Busan (KR)
- (**) Term: **15 Years**

(21) Appl. No.: **29/628,243**

(22) Filed: **Dec. 4, 2017**

(30) **Foreign Application Priority Data**

Nov. 27, 2017 (KR) 30-2017-0055494

(51) **LOC (11) Cl.** **16-02**

(52) **U.S. Cl.**
USPC **D16/225; D16/135**

(58) **Field of Classification Search**
USPC D16/221, 225, 229, 232, 208, 130,
D16/134-135
CPC .. G02B 25/002; G02B 25/007; G02B 25/005;
G02B 25/02; G02B 27/026; G02B
27/027; H04N 1/00562; H04N 1/00129;
H04N 2201/0094
See application file for complete search history.

(56) **References Cited**

U.S. PATENT DOCUMENTS

- D392,303 S * 3/1998 Hern D16/225
- D631,903 S * 2/2011 Sugiyama D16/135
- 7,929,013 B2 * 4/2011 Goldenberg G02B 27/026
348/63
- D664,584 S * 7/2012 Turpault D16/225
- 8,854,441 B2 * 10/2014 Goldenberg G02B 27/026
348/63
- D756,442 S * 5/2016 Bourque D16/225
- 2009/0059038 A1 * 3/2009 Seakins H04N 1/195
348/240.99
- 2014/0176690 A1 * 6/2014 Hamel H04N 1/00562
348/63

FOREIGN PATENT DOCUMENTS

JP D1432059 * 4/2011

* cited by examiner

Primary Examiner — Wan Laymon

(74) *Attorney, Agent, or Firm* — JCIPRNET

(57) **CLAIM**

The ornamental design for an electronic magnifier, as shown and described.

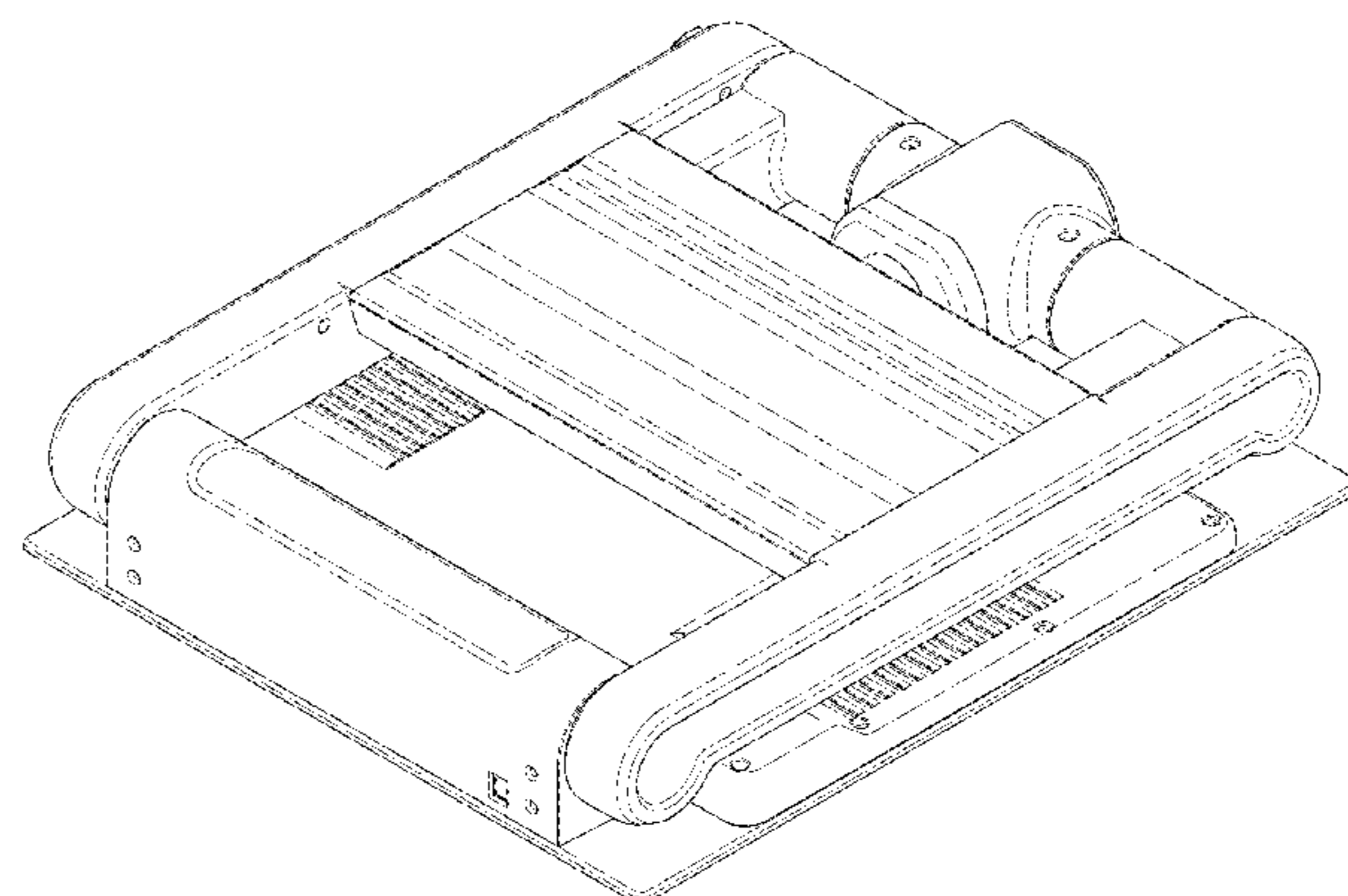
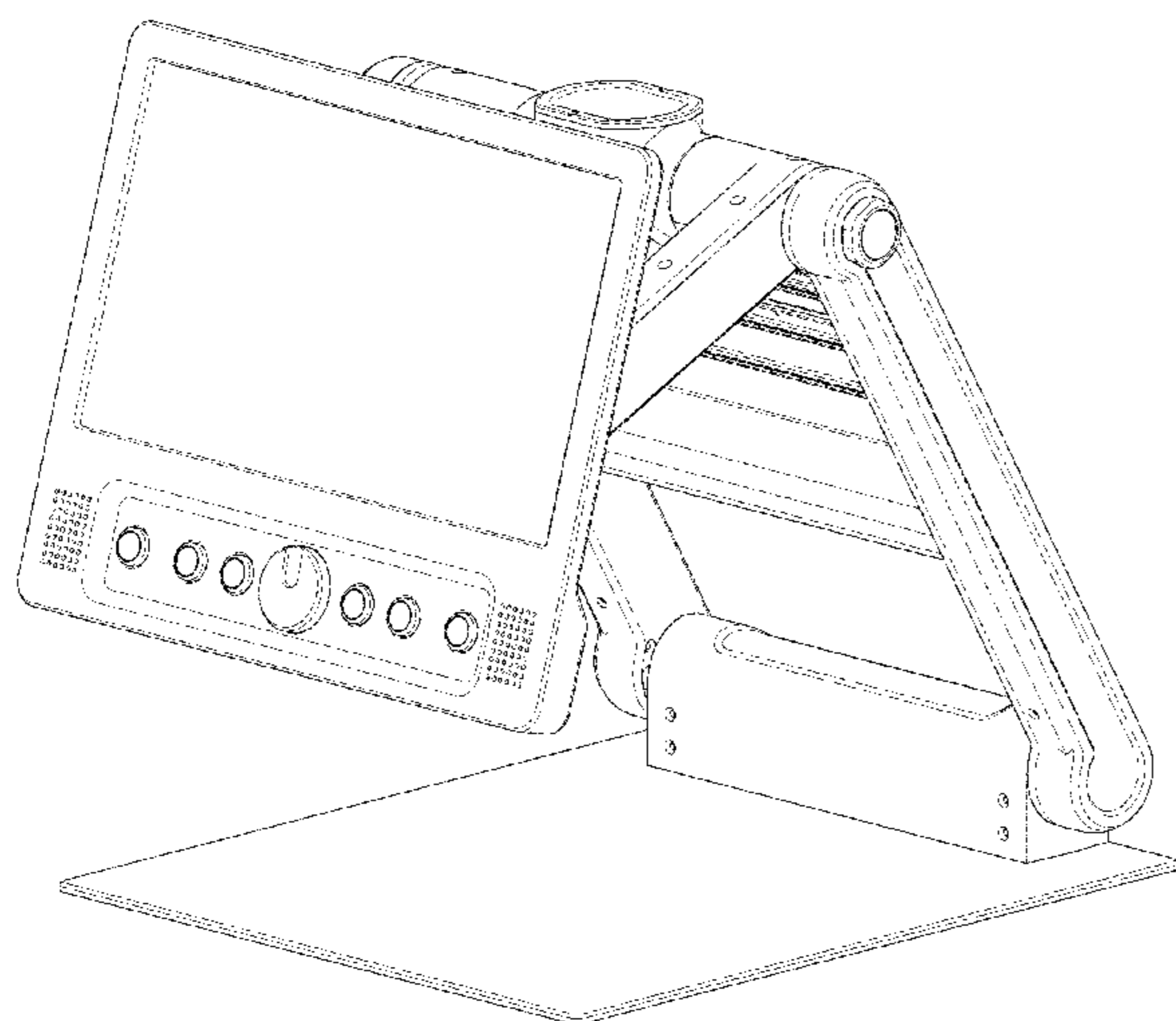
DESCRIPTION

FIG. 1 is a perspective view of an electronic magnifier showing our new design;
 FIG. 2 is another perspective view thereof;
 FIG. 3 is a front view thereof;
 FIG. 4 is a rear view thereof;
 FIG. 5 is a left side view thereof;
 FIG. 6 is a right side view thereof;
 FIG. 7 is a top view thereof;
 FIG. 8 is a bottom view thereof;
 FIG. 9 is another perspective view thereof in a collapsed state;
 FIG. 10 is an enlarged view of the indicated portion of FIG. 2;
 FIG. 11 is an enlarged view of the indicated portion of FIG. 10; and,
 FIG. 12 is an enlarged view of the indicated portion of FIG. 4.

As shown in FIG. 2, the electronic magnifier displays an image frame of an object photographed on a monitor (A) installed in front of a main body by electronically magnifying through a camera (B) provided on the upper side of the main body. The design can be folded and stored as shown in FIG. 9.

The broken lines illustrate portions of the electronic magnifier and form no part of the claimed design.

1 Claim, 12 Drawing Sheets



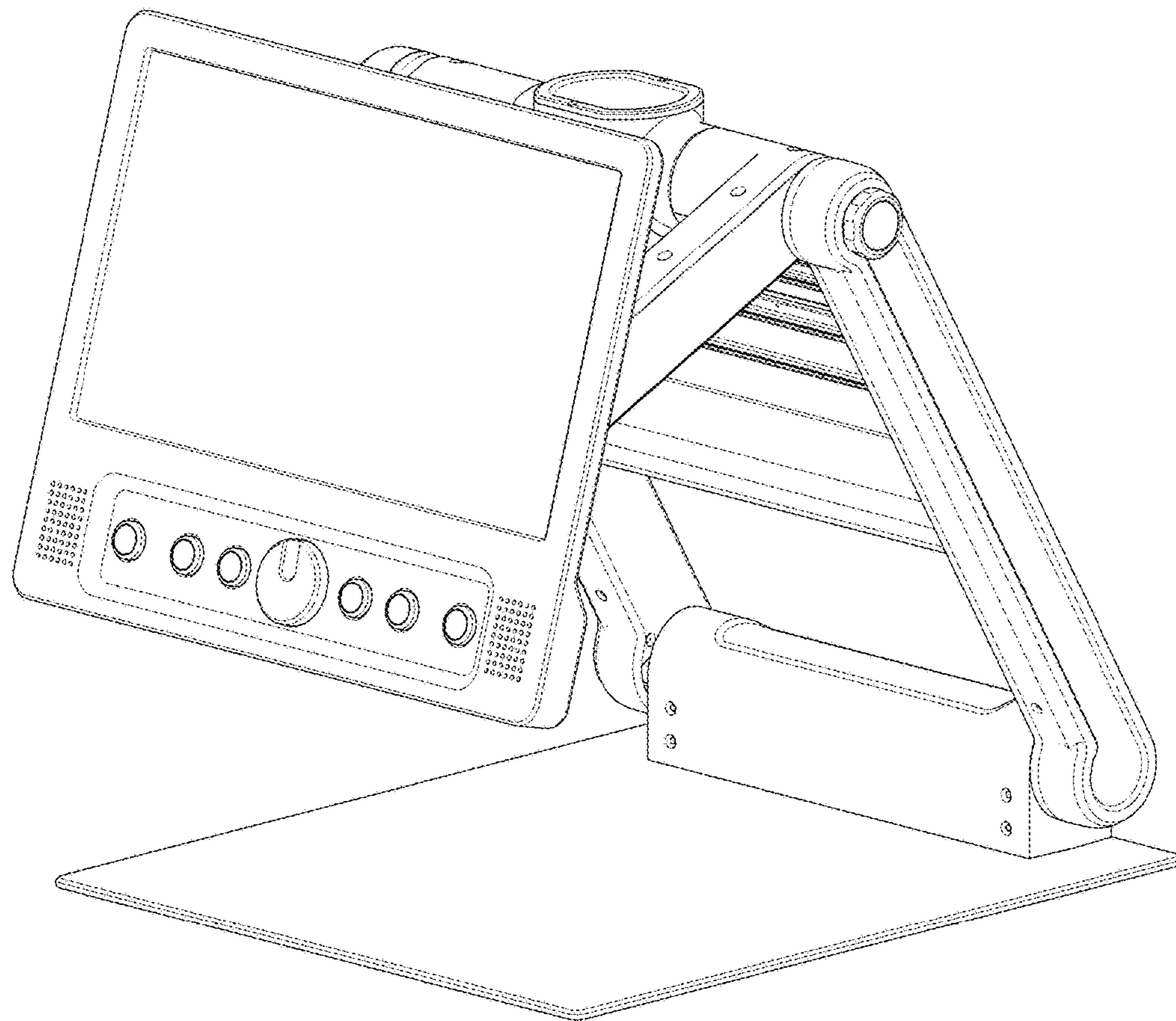


FIG. 1

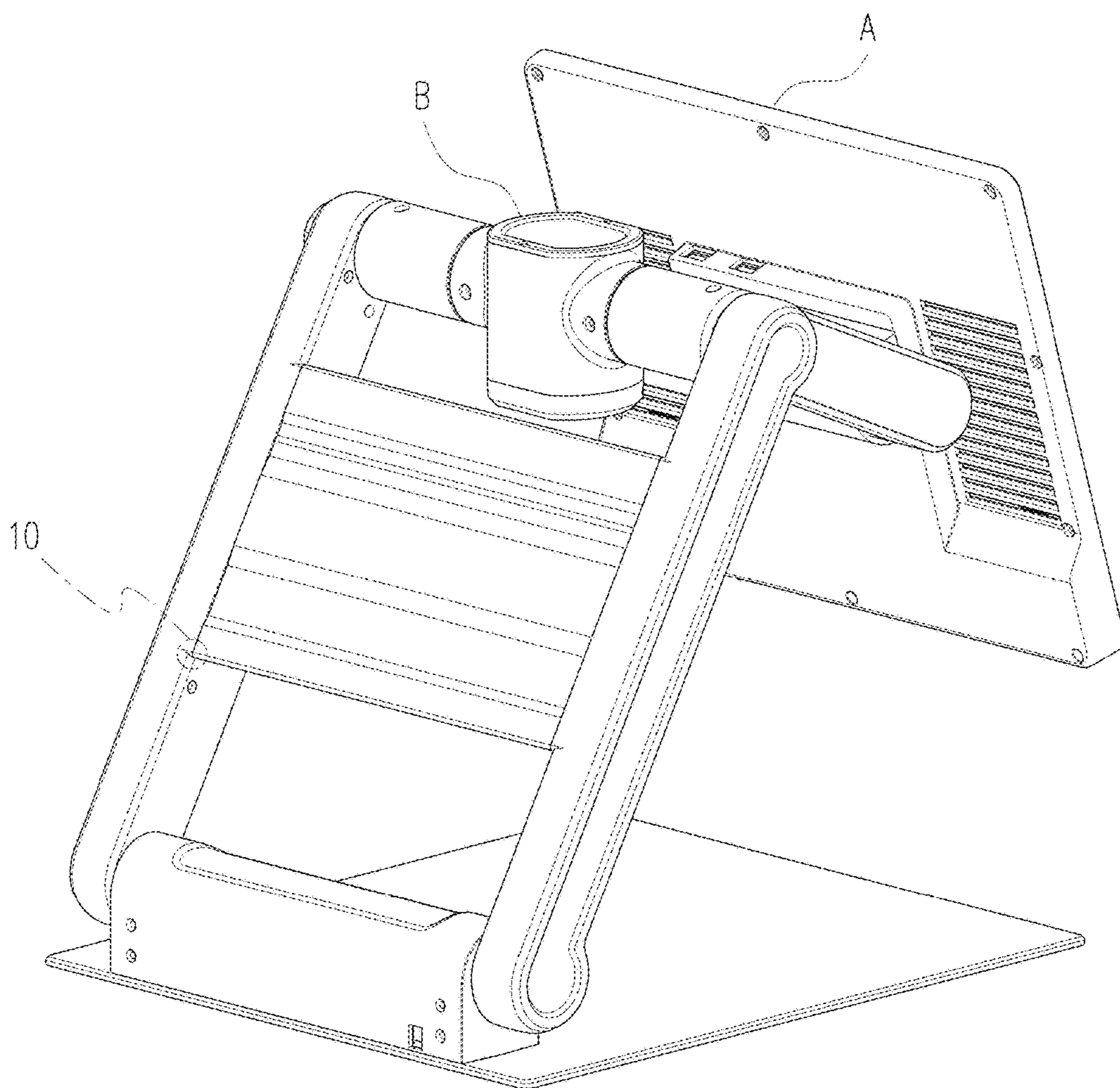


FIG. 2

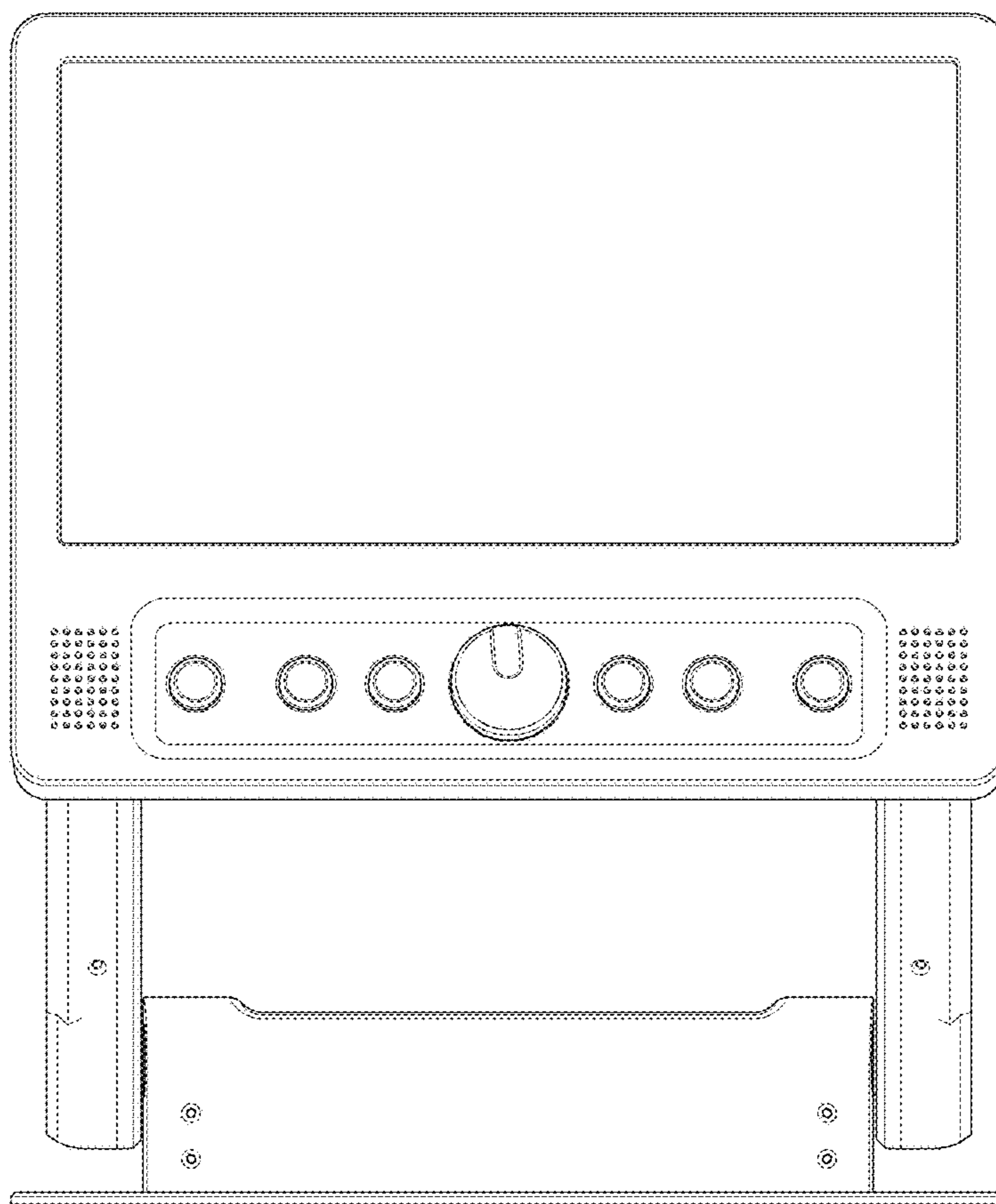


FIG. 3

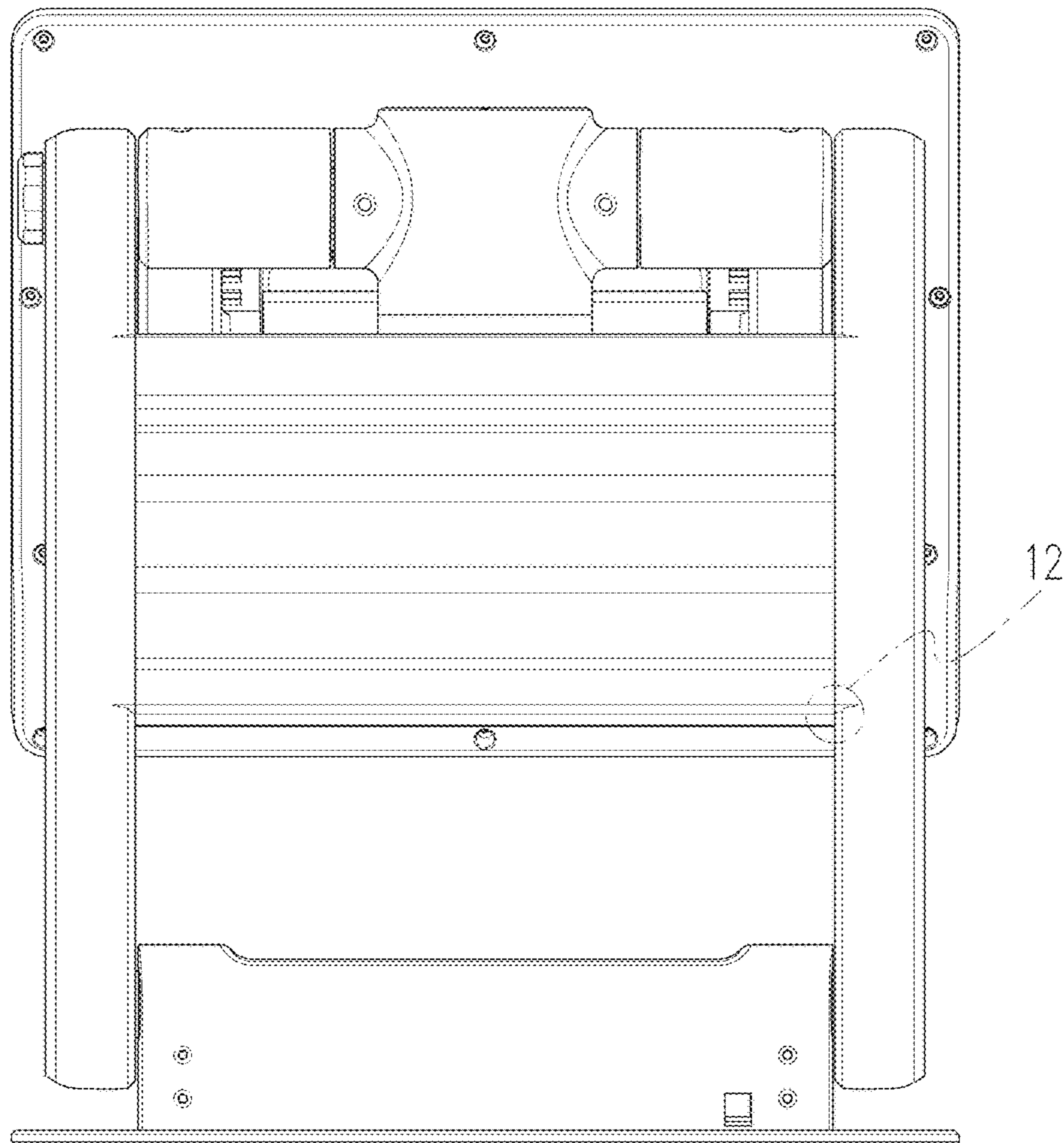


FIG. 4

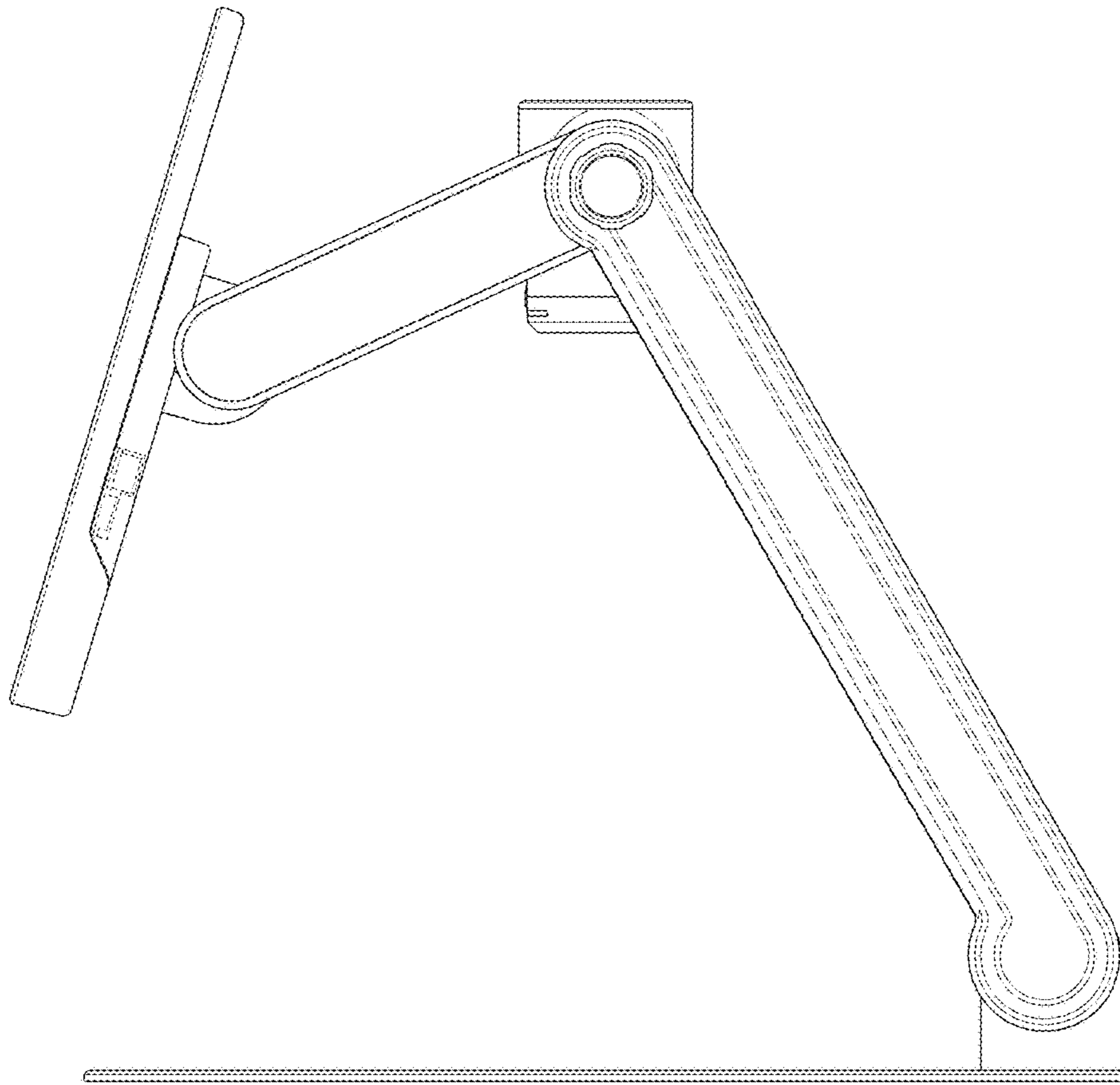


FIG. 5

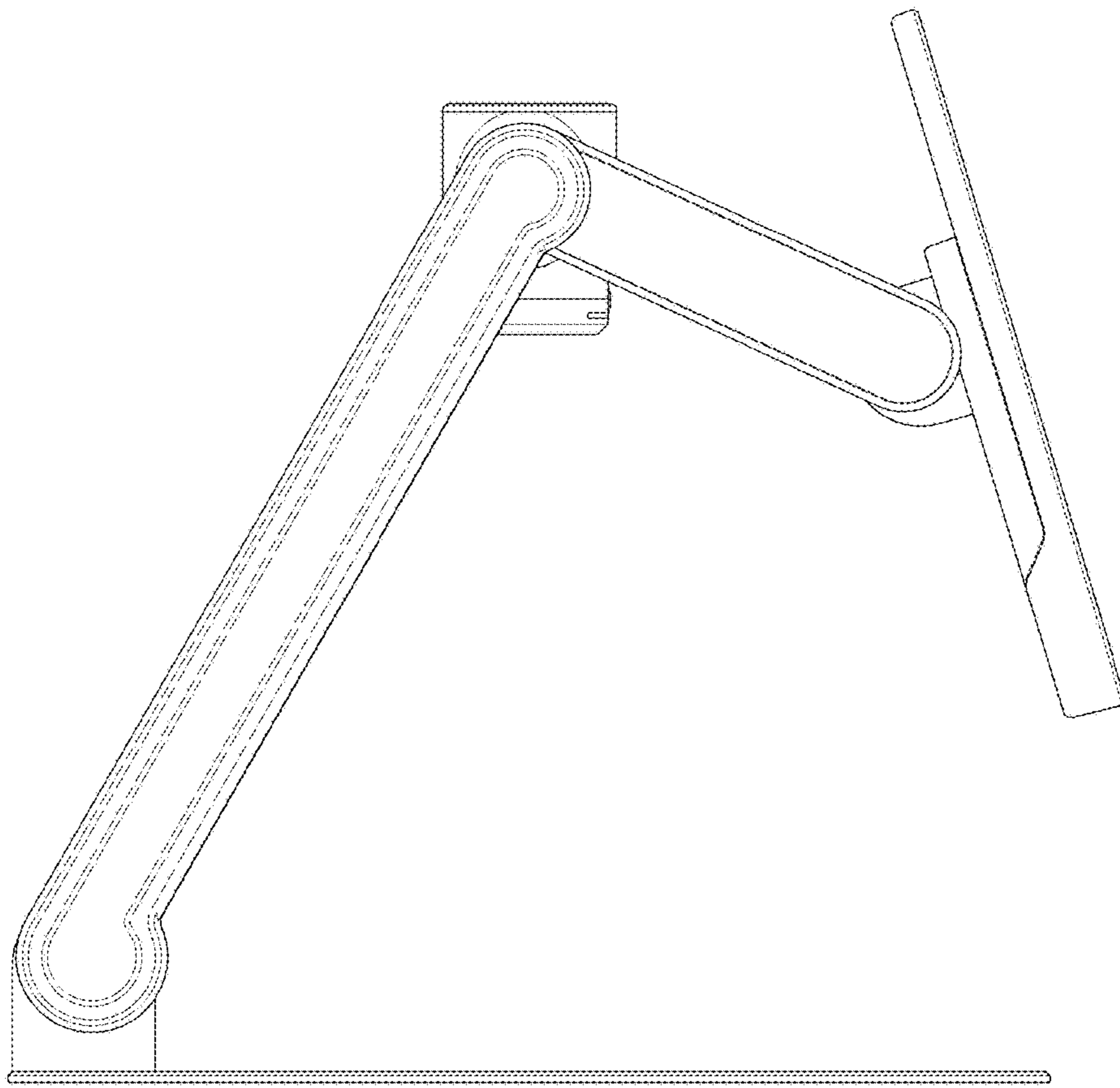


FIG. 6

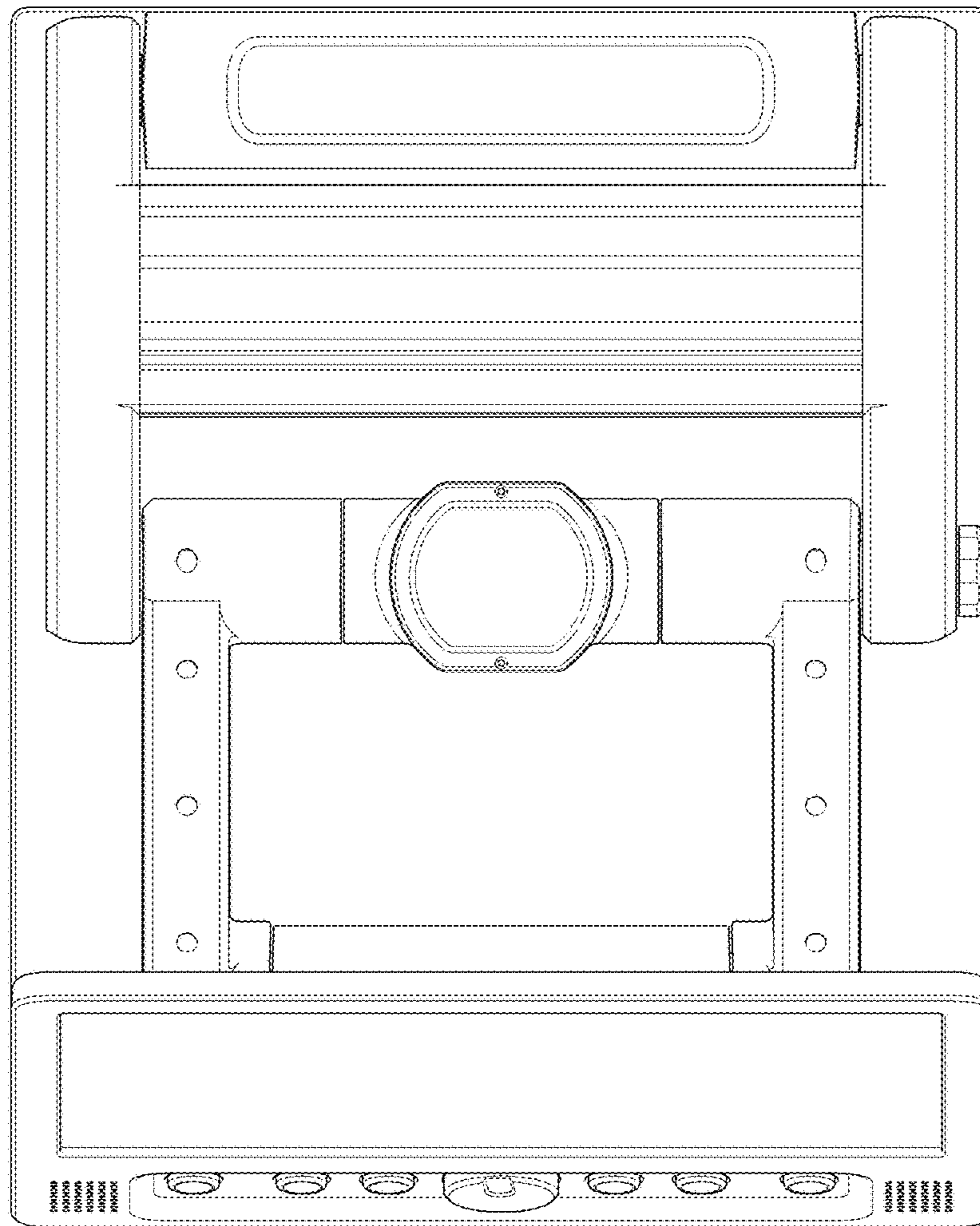


FIG. 7

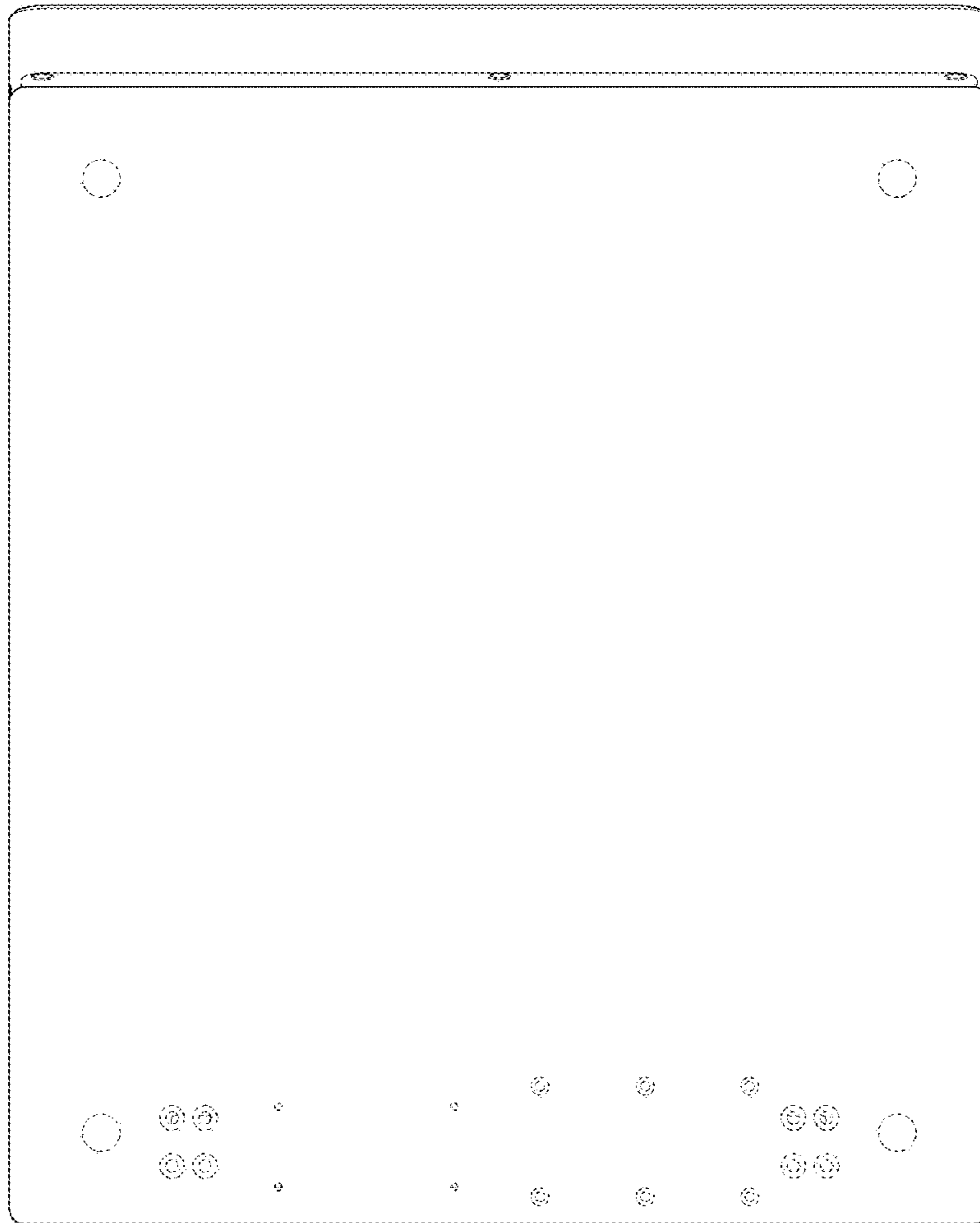


FIG. 8

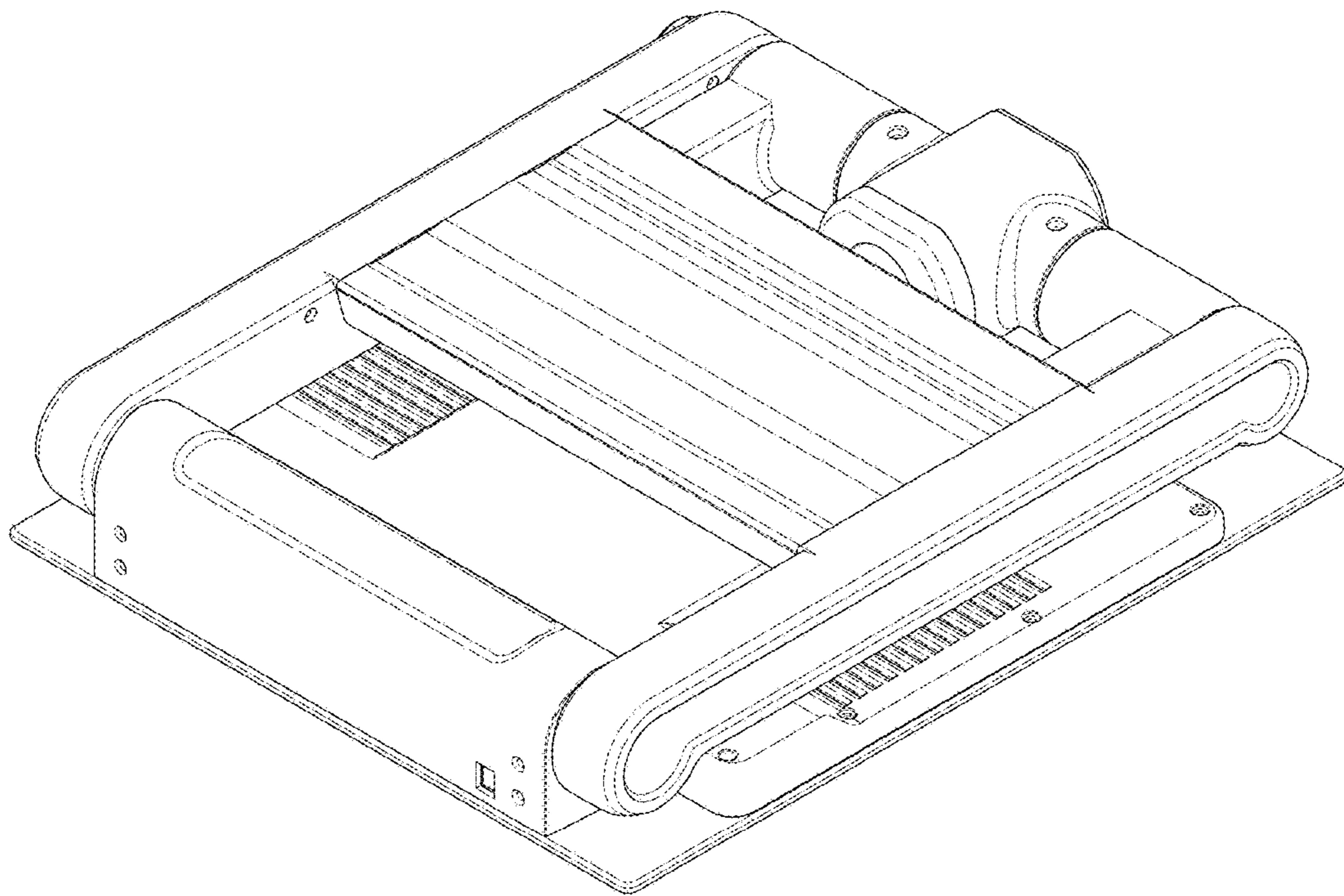


FIG. 9

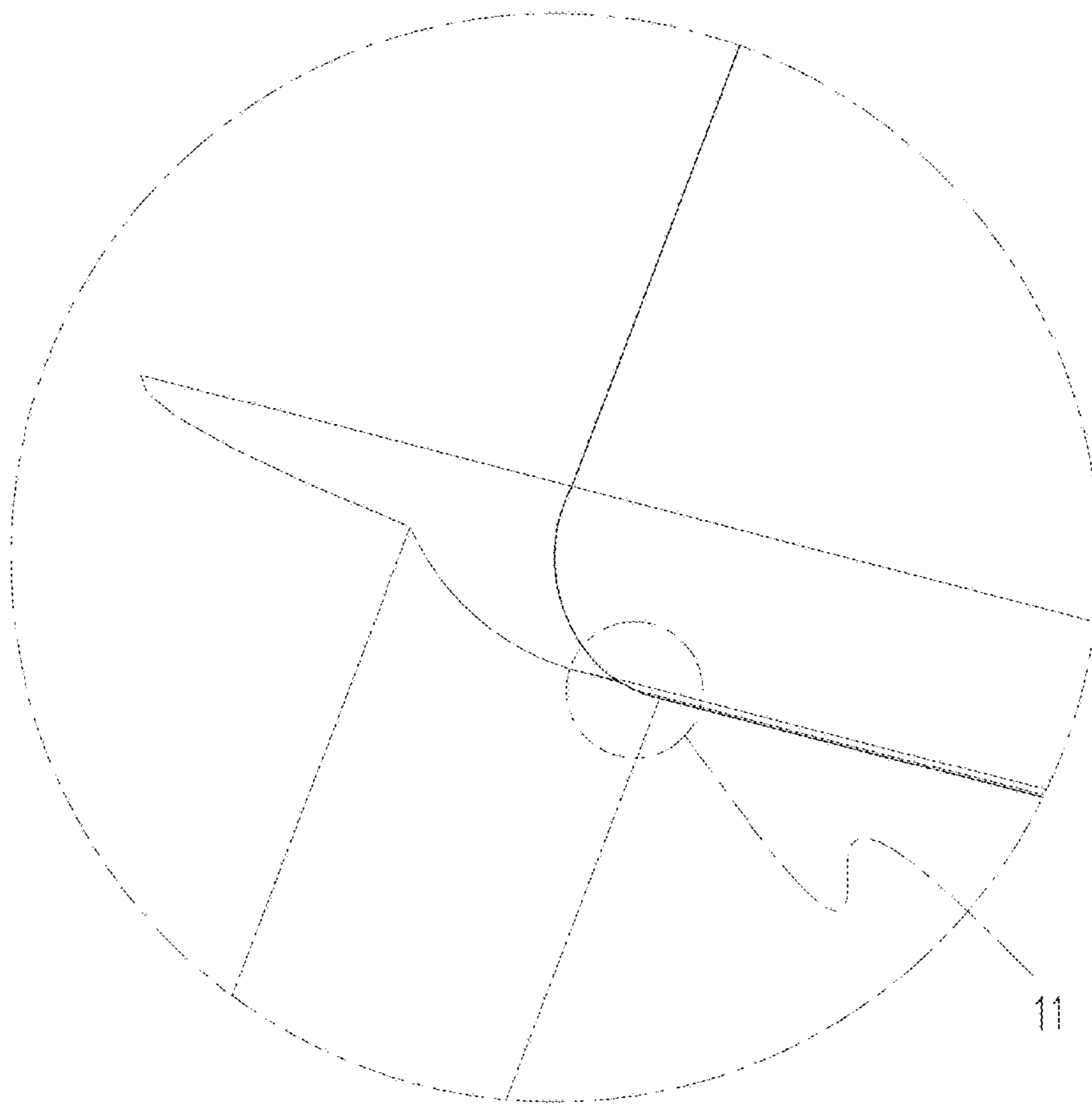


FIG. 10

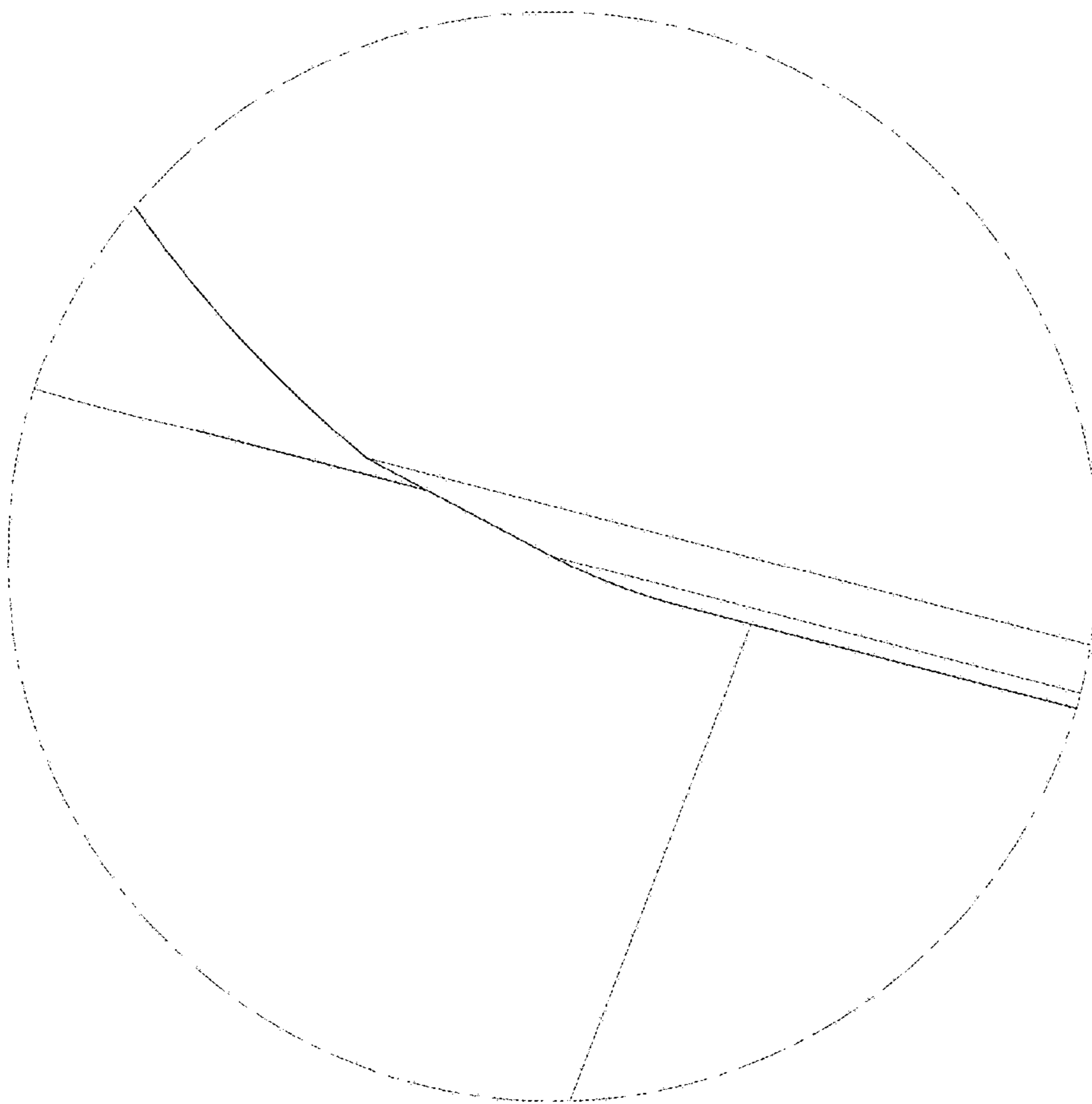


FIG. 11

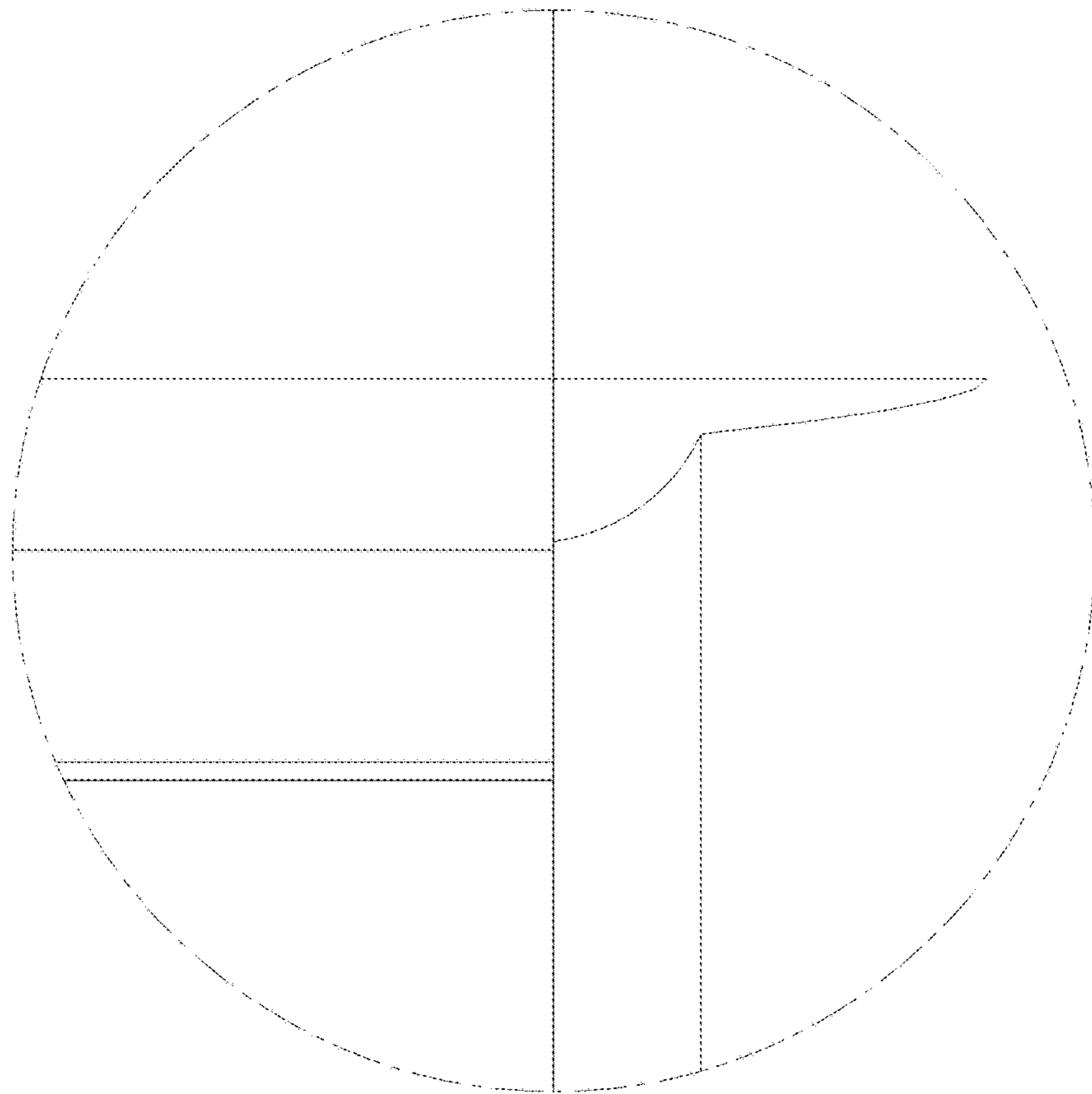


FIG. 12