



US00D848515S

(12) **United States Design Patent** (10) **Patent No.:** **US D848,515 S**  
**Asai** (45) **Date of Patent:** **\*\* May 14, 2019**

(54) **PLANETARIUM PROJECTOR** D294,715 S \* 3/1988 Hattori ..... D19/59  
5,194,009 A \* 3/1993 Bertsche ..... G09B 27/02  
(71) Applicant: **Konica Minolta Planetarium Co.,** 434/286  
**Ltd.,** Toshima-ku, Tokyo (JP) D557,725 S \* 12/2007 Ebihara ..... D16/221  
D773,549 S \* 12/2016 Tompkin ..... D16/225

(72) Inventor: **Tomonari Asai,** Hachioji (JP)

FOREIGN PATENT DOCUMENTS

(73) Assignee: **Konica Minolta Planetarium Co.,**  
**Ltd.,** Tokyo (JP)

JP D1516603 \* 6/2014  
JP 1516604 S 2/2015

(\*\*) Term: **15 Years**

\* cited by examiner

(21) Appl. No.: **29/615,551**

*Primary Examiner* — Wan Laymon

(22) Filed: **Aug. 30, 2017**

(74) *Attorney, Agent, or Firm* — Buchanan Ingersoll & Rooney PC

(30) **Foreign Application Priority Data**

(57) **CLAIM**

Mar. 22, 2017 (JP) ..... D2017-005724

The ornamental design for a planetarium projector, as shown and described.

(51) **LOC (11) Cl.** ..... **16-02**

**DESCRIPTION**

(52) **U.S. Cl.**

USPC ..... **D16/225**

(58) **Field of Classification Search**

USPC ..... D16/221, 225; D21/514; D19/59, 62  
CPC ..... G09B 27/00; G09B 27/02; G03B 21/145;  
G03B 21/14; G03B 21/142; G03B 21/00;  
G03B 21/001; G03B 21/002

See application file for complete search history.

FIG. 1 is a perspective view of a planetarium projector;  
FIG. 2 is a front view thereof;  
FIG. 3 is a rear view thereof;  
FIG. 4 is a left side view thereof;  
FIG. 5 is a right side view thereof;  
FIG. 6 is a top view thereof;  
FIG. 7 is a bottom view thereof;  
FIG. 8 is an enlarged perspective view of FIG. 1 thereof;  
FIG. 9 is an enlarged front view of FIG. 2 thereof; and,  
FIG. 10 is an enlarged top view thereof.

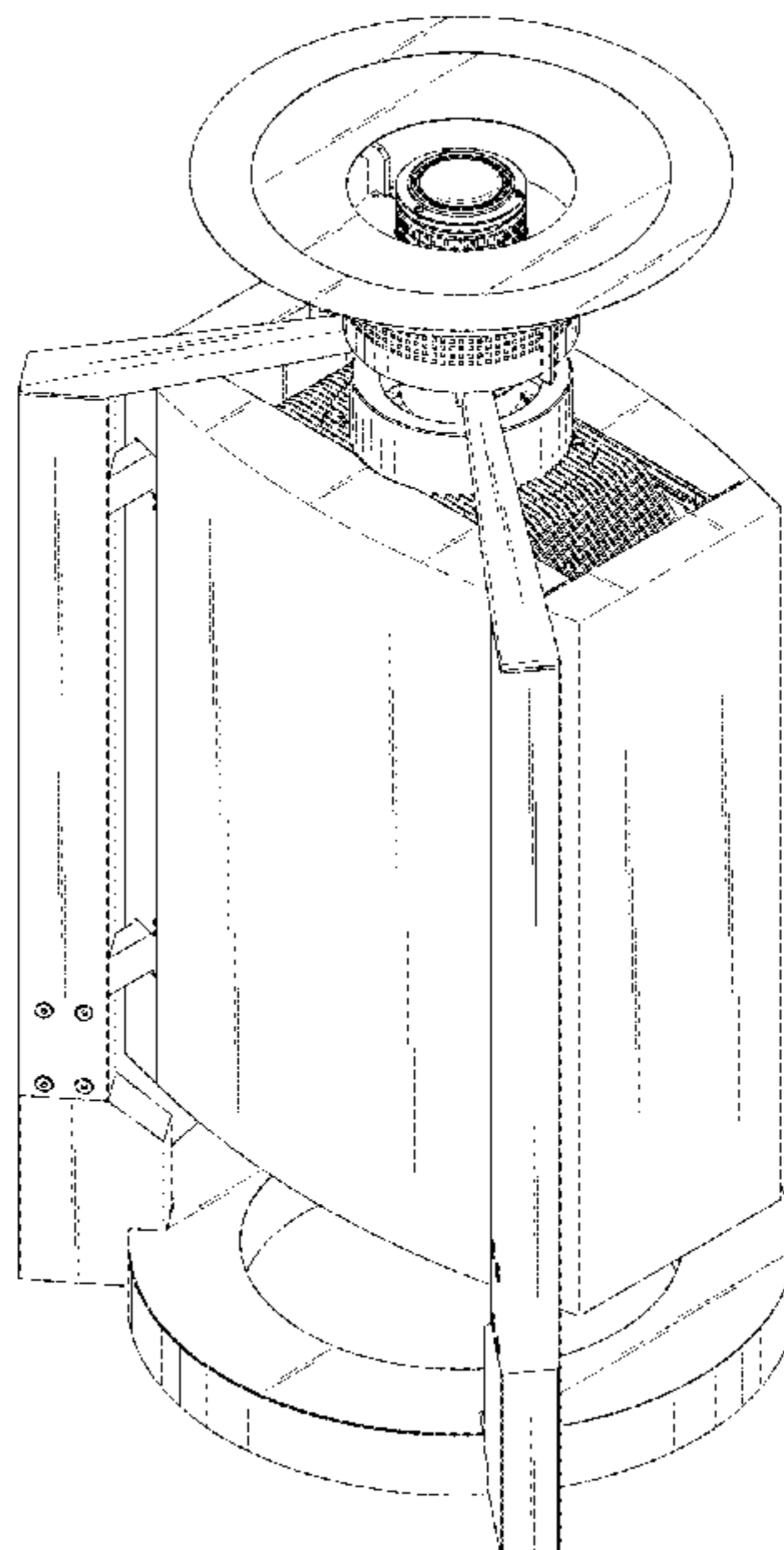
(56) **References Cited**

U.S. PATENT DOCUMENTS

4,588,384 A \* 5/1986 Shiba ..... G09B 27/00  
434/286  
4,606,627 A \* 8/1986 Hattori ..... G09B 27/00  
353/119

The broken lines shown in the figures are included for the purpose of illustrating portions of the planetarium projector and form no part of the claimed design.

**1 Claim, 9 Drawing Sheets**



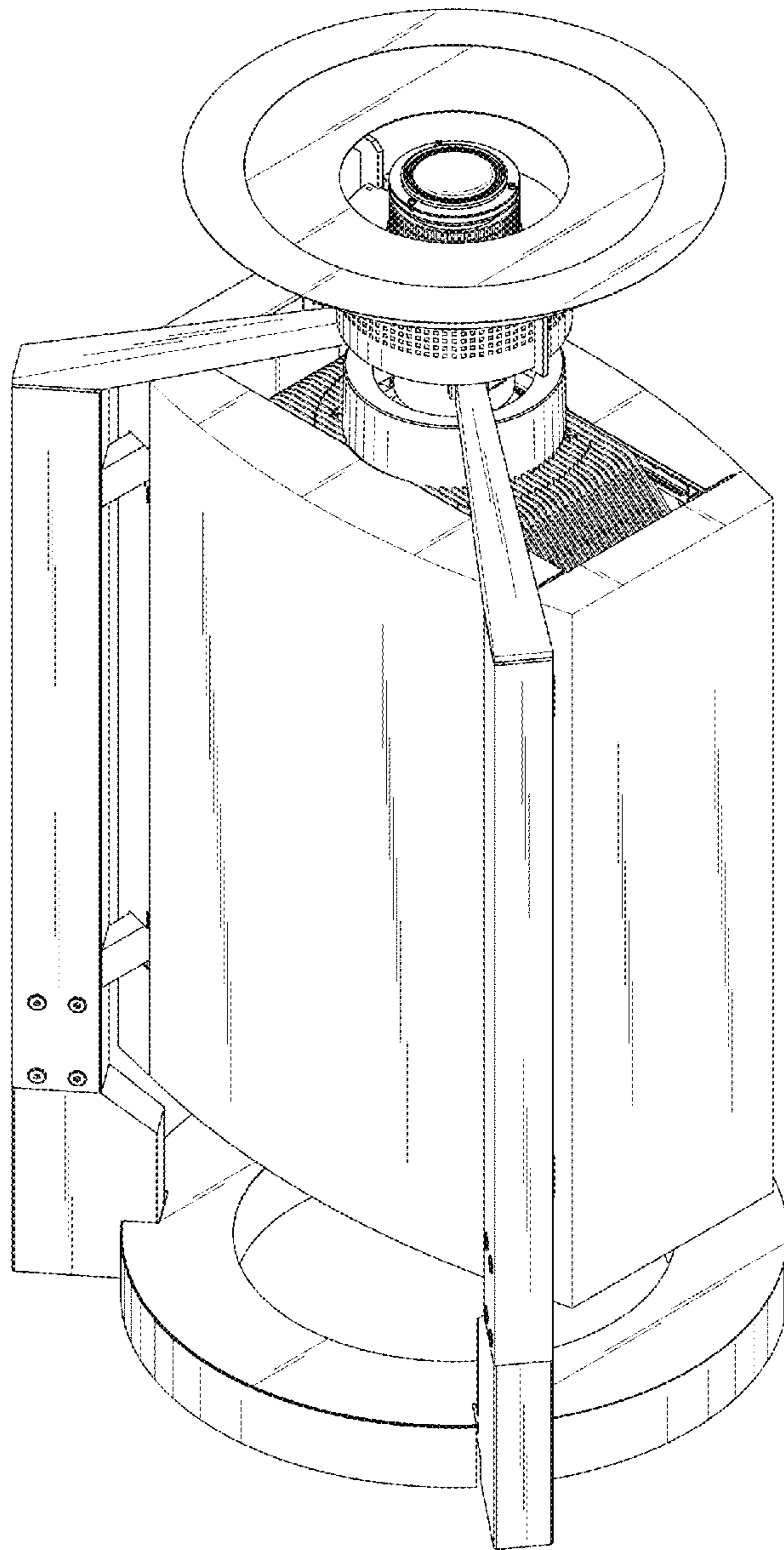


FIG. 1

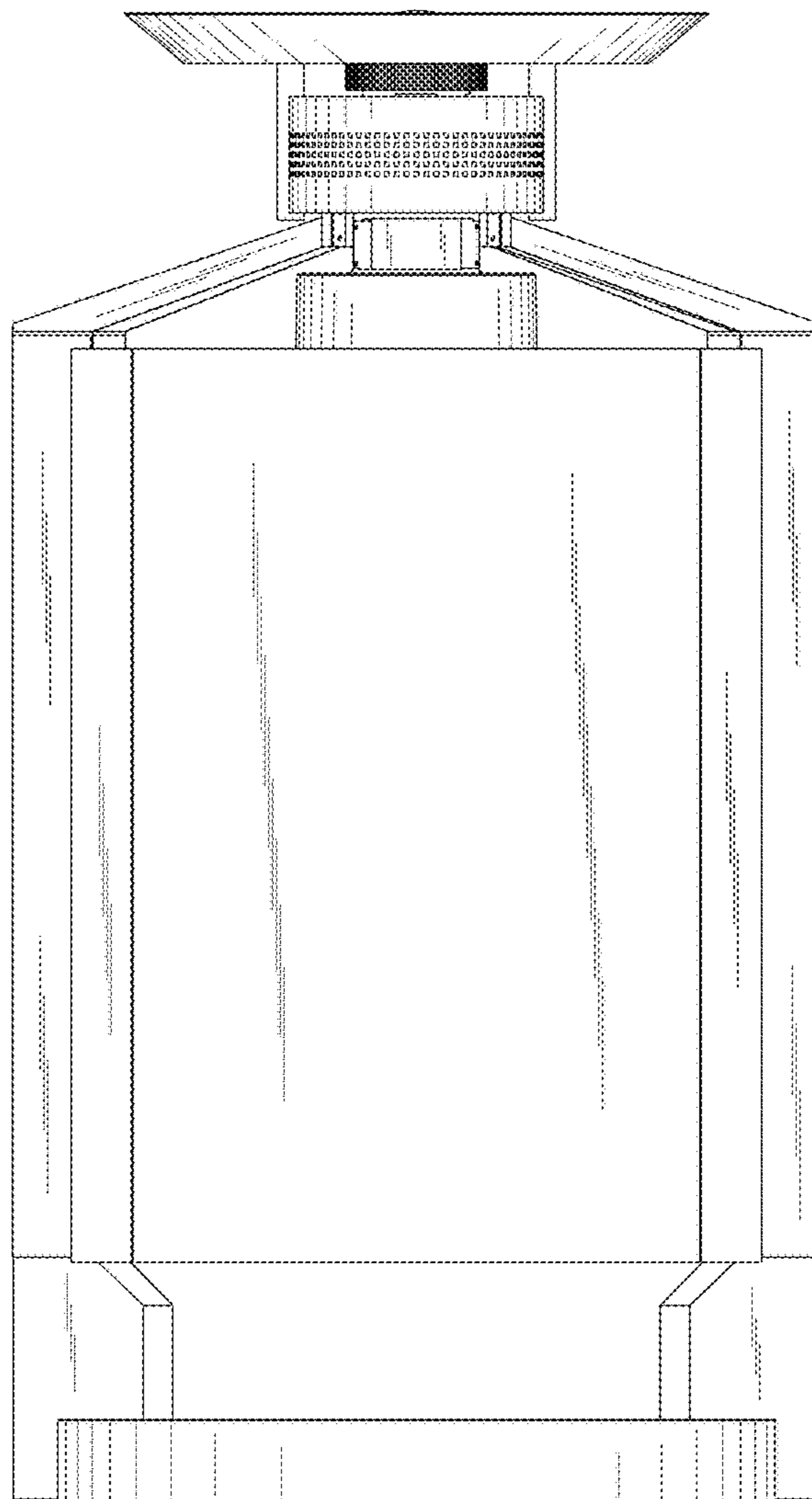


FIG.2

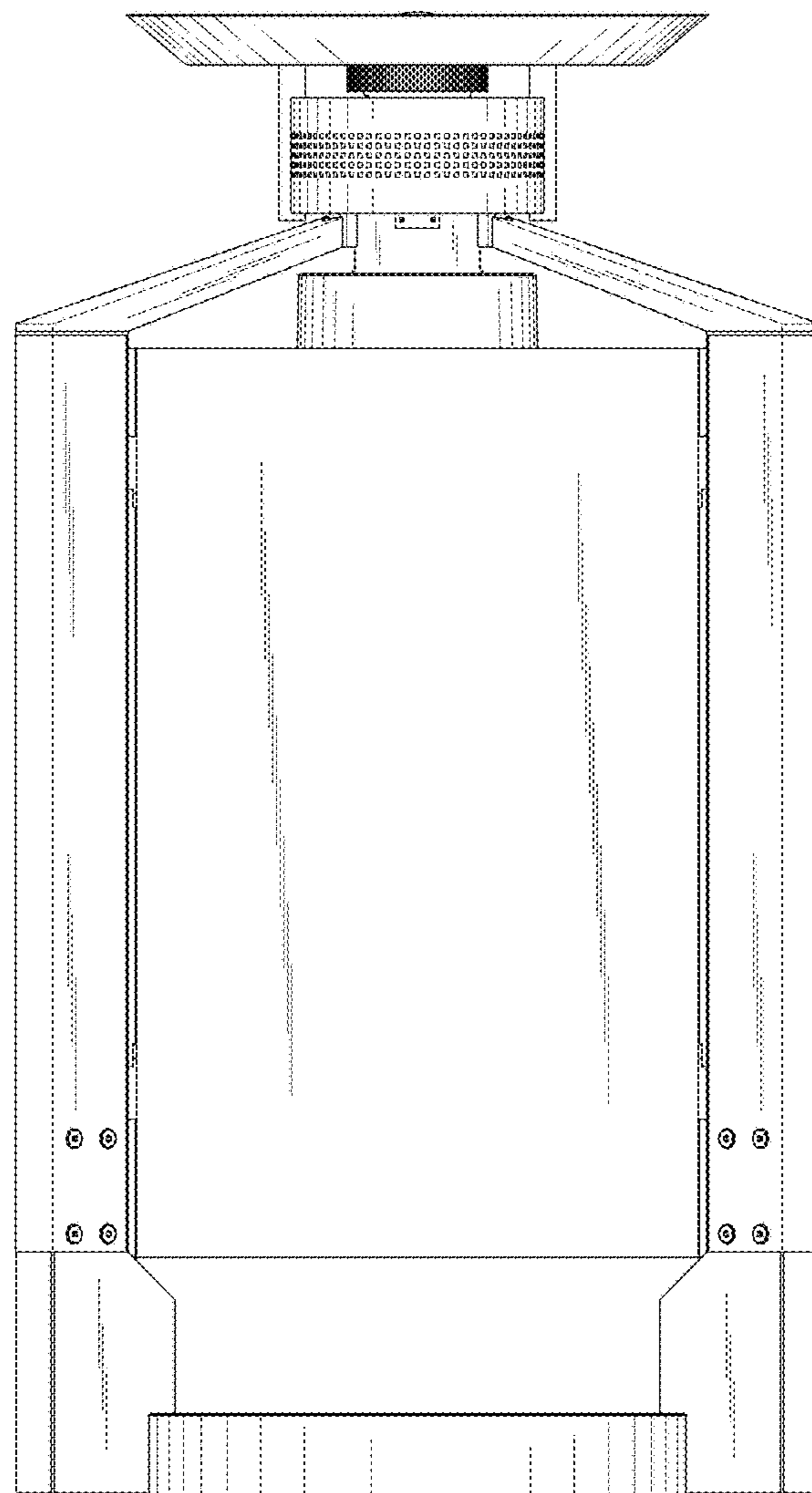


FIG.3

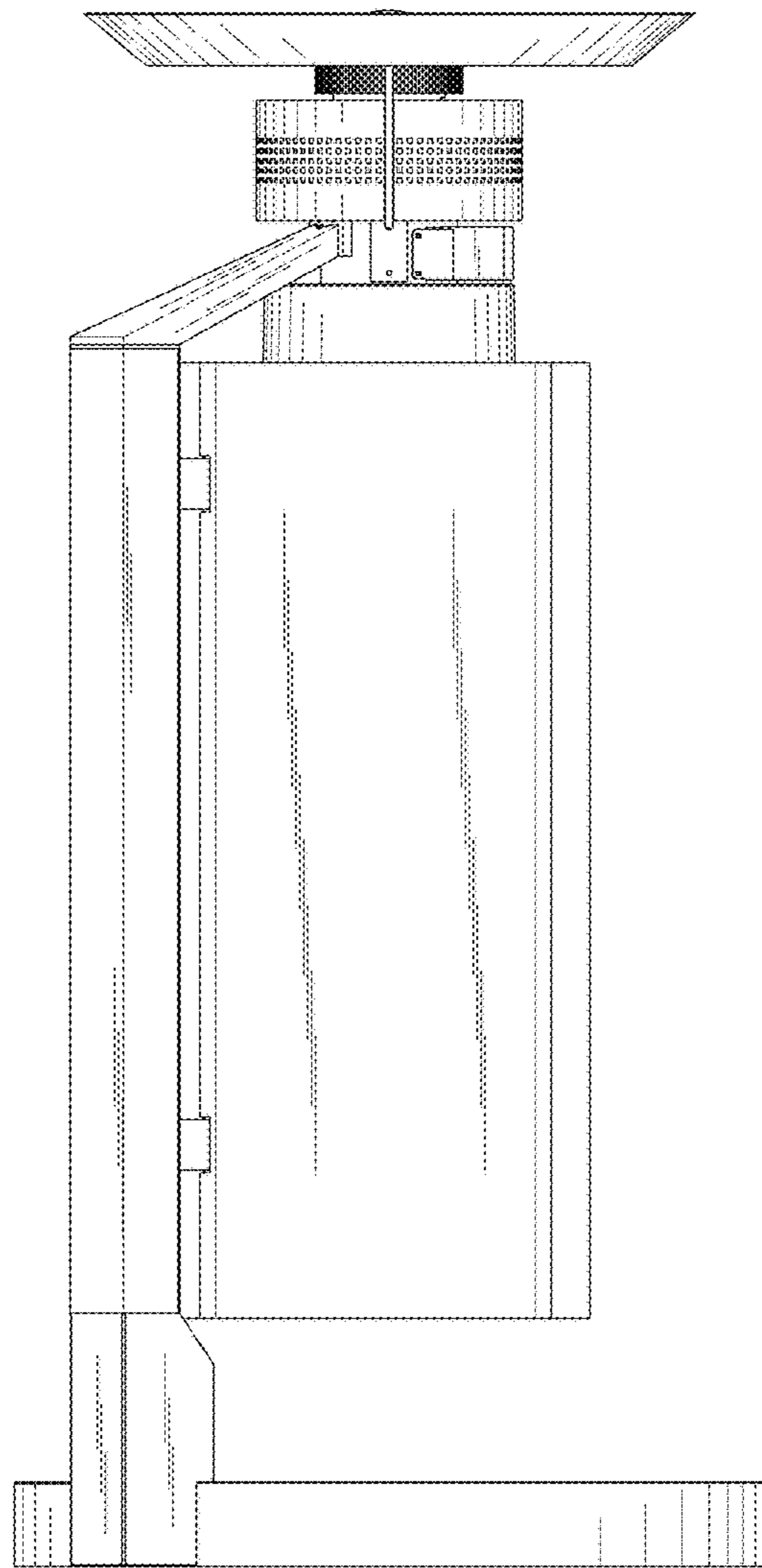


FIG.4

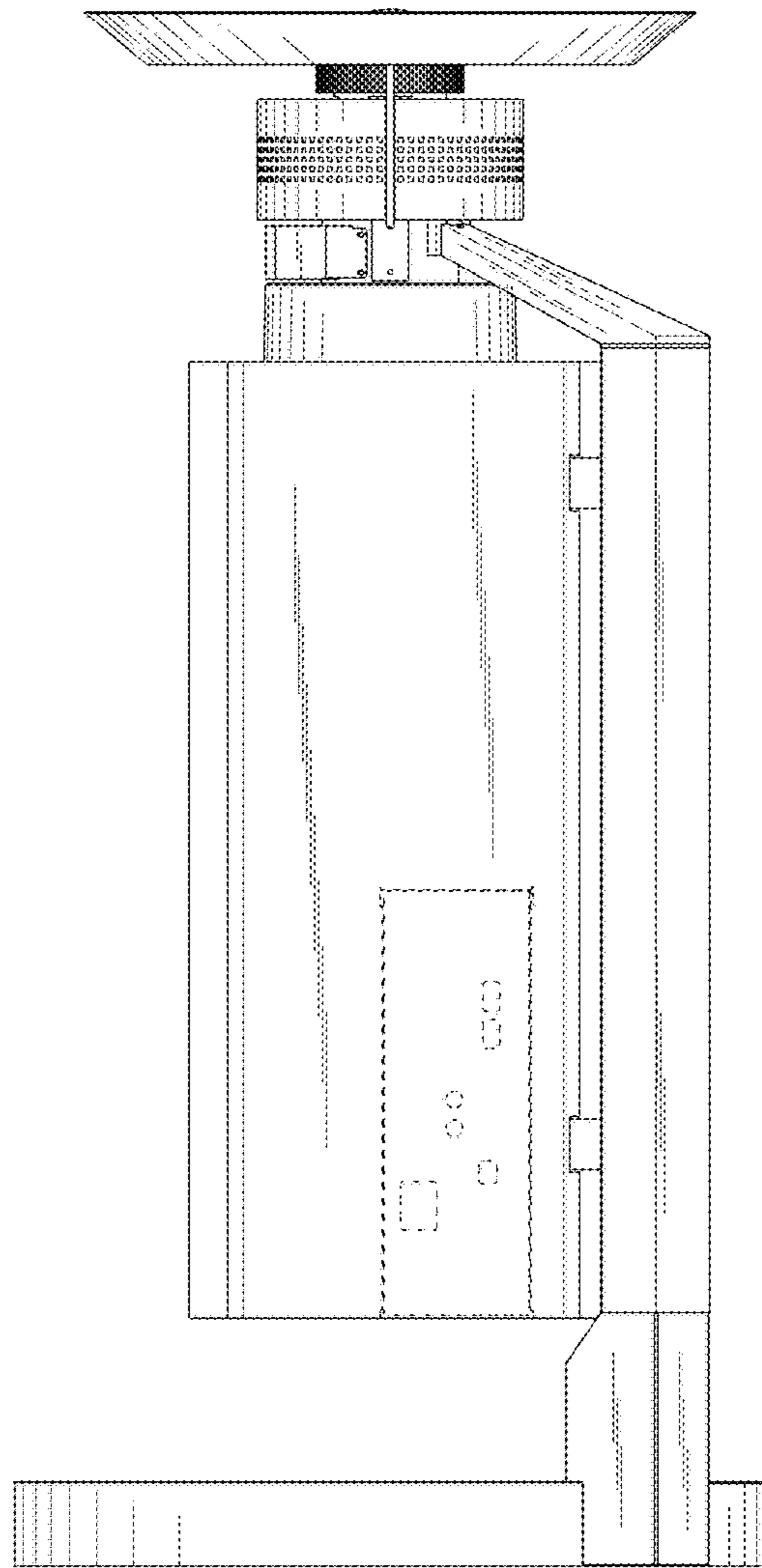


FIG.5

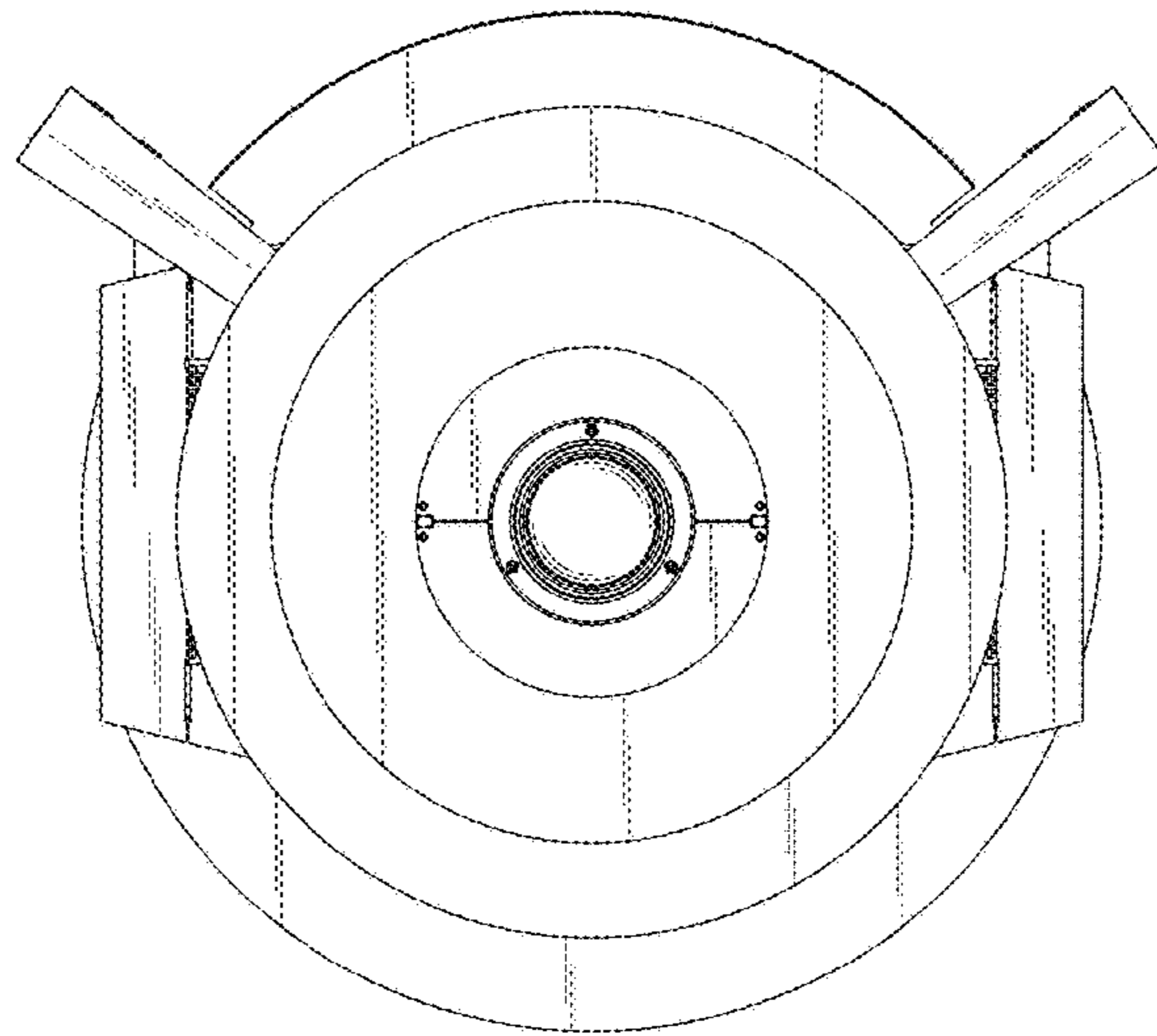


FIG. 6

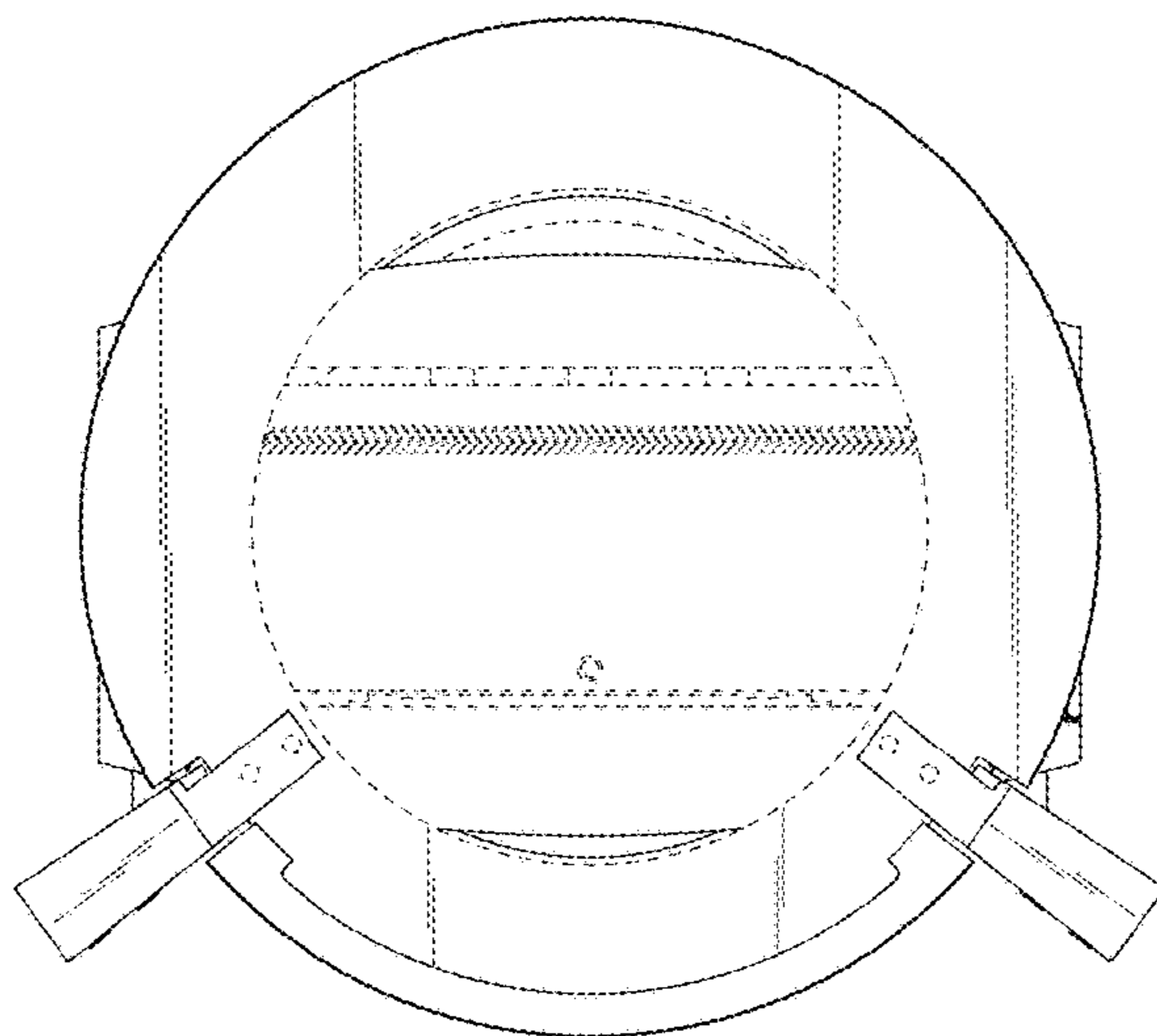


FIG. 7

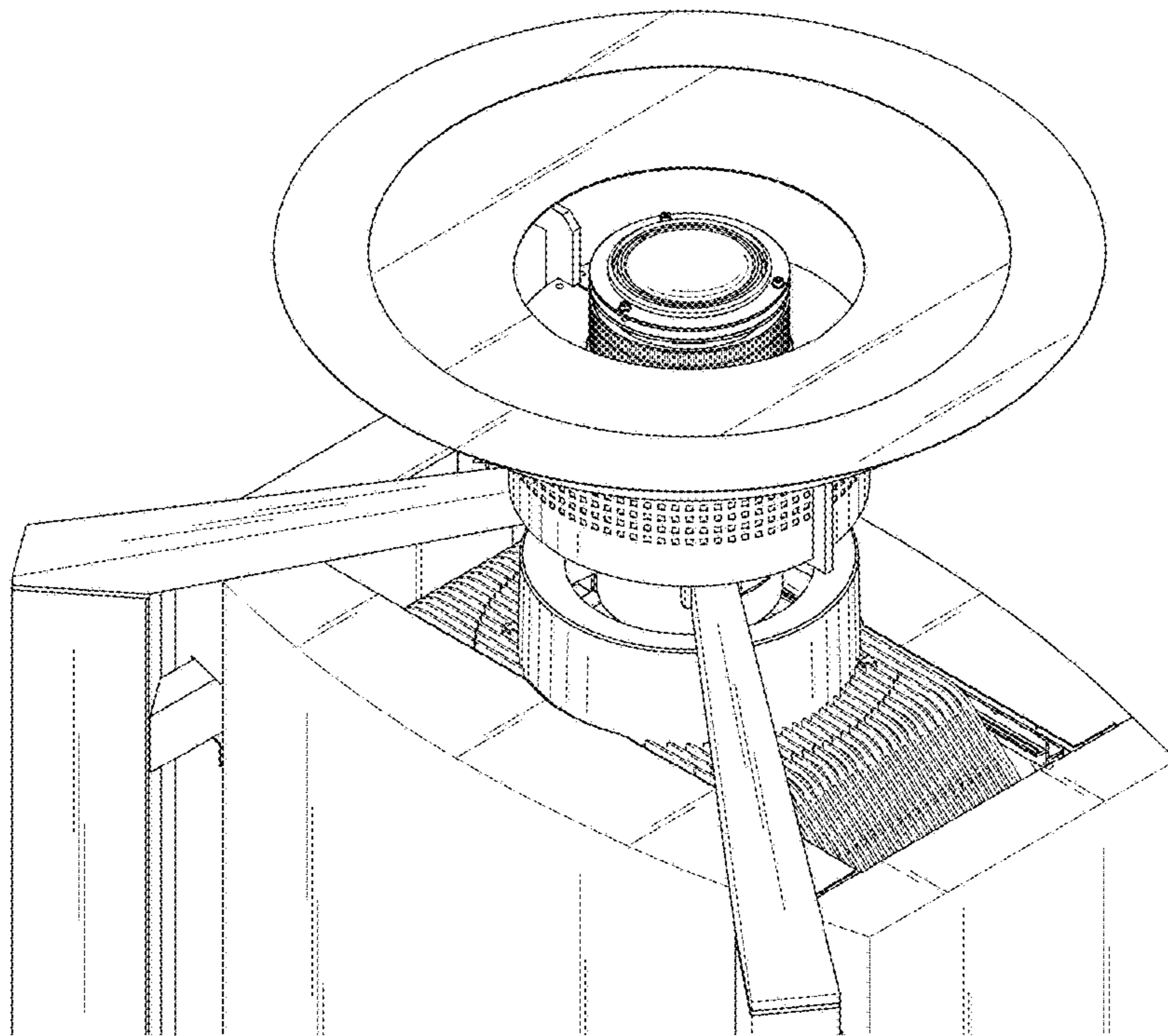


FIG.8



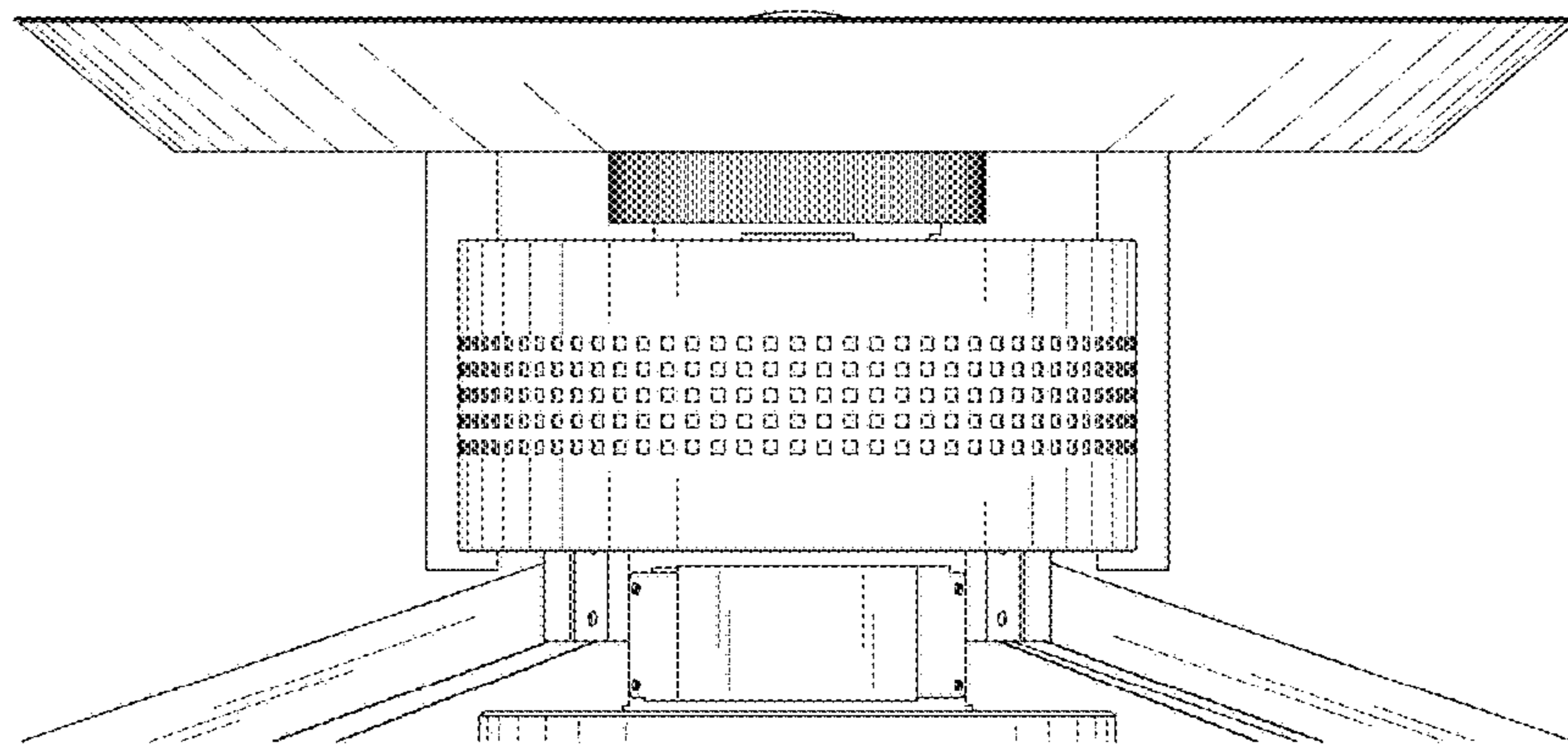


FIG.9

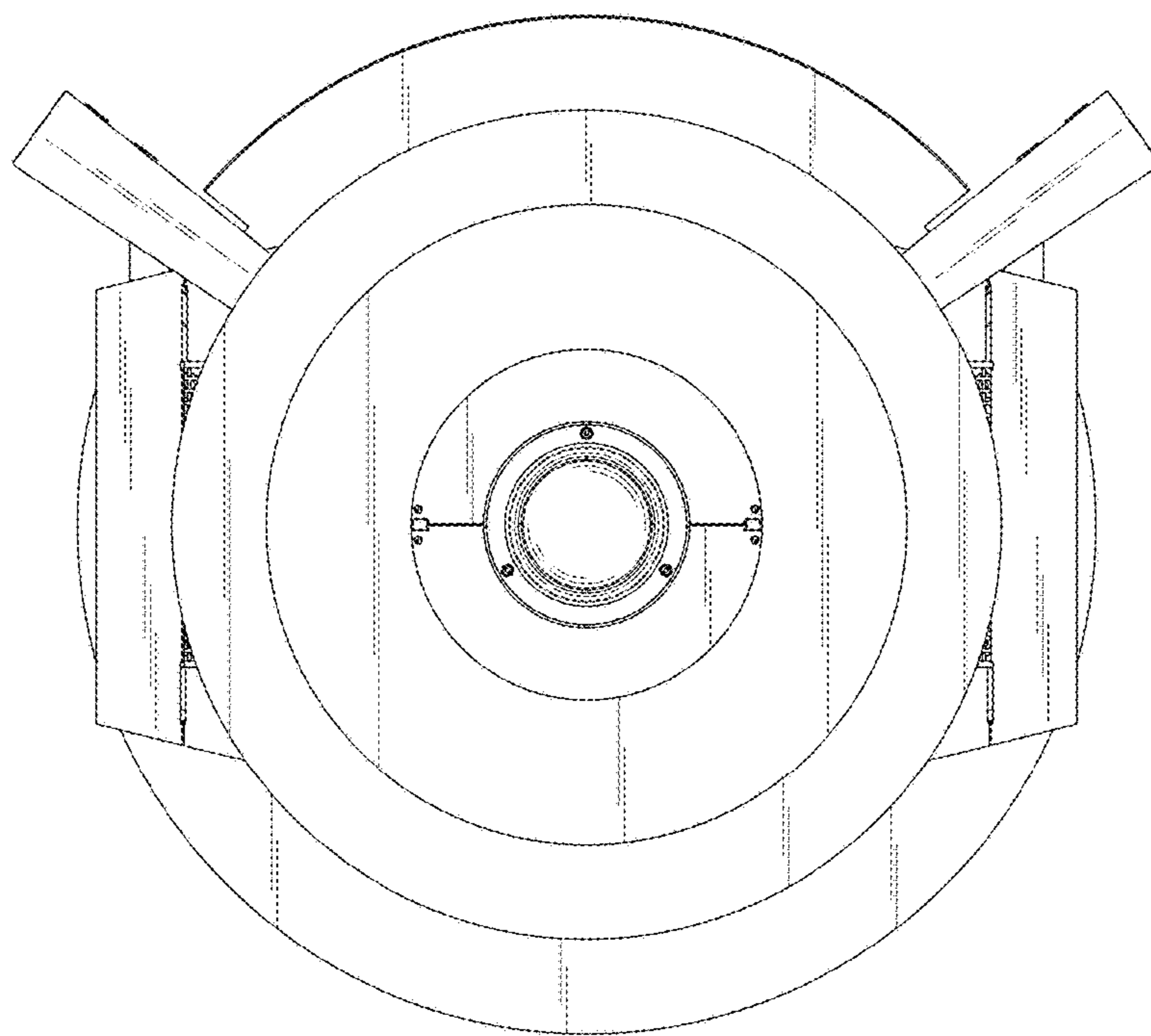


FIG.10