



US00D848514S

(12) **United States Design Patent** (10) **Patent No.:** **US D848,514 S**  
**Ahman et al.** (45) **Date of Patent:** **\*\* May 14, 2019**

(54) **MONITORING CAMERA**

(71) Applicant: **AXIS AB**, Lund (SE)

(72) Inventors: **Daniel Ahman**, Lomma (SE); **Mathias Walter**, Arlov (SE); **Nina Bergius**, Lund (SE); **Kristoffer Barnekow**, Lund (SE); **Maiko Karlsson**, Lund (SE); **Peter Betmark**, Lund (SE)

(73) Assignee: **AXIS AB**, Lund (SE)

(\*\*) Term: **15 Years**

(21) Appl. No.: **29/645,553**

(22) Filed: **Apr. 27, 2018**

**Related U.S. Application Data**

(62) Division of application No. 29/607,403, filed on Jun. 13, 2017.

(30) **Foreign Application Priority Data**

Dec. 13, 2016 (EM) ..... 003514991

(51) **LOC (11) Cl.** ..... **16-05**

(52) **U.S. Cl.**  
USPC ..... **D16/219**; D16/203

(58) **Field of Classification Search**  
USPC ..... D16/200, 202–206, 218, 219, 242;  
348/143, 148, 151, 373–376; 396/419,  
396/427, 535, 539–541  
CPC ..... G03B 17/02; G03B 19/04; G03B 17/56;  
G03B 17/04; G03B 15/03; H04N 5/2251;  
H04N 5/2252; H04N 5/2253; H04N  
5/2254; H04N 7/181; H04N 7/183; H04N  
7/18; G08B 13/1963; G08B 13/19619;  
G08B 13/19632; F16M 11/04; F16M  
13/00

See application file for complete search history.

(56) **References Cited**

U.S. PATENT DOCUMENTS

D425,535 S 5/2000 Mutoh et al.  
D452,696 S 1/2002 Fenton  
D552,501 S 10/2007 Lin et al.  
D575,810 S 8/2008 Alm  
D610,183 S 2/2010 Nohavec et al.  
D628,225 S 11/2010 Deurwaarder  
D633,120 S 2/2011 Ham  
D639,842 S 6/2011 Zeinoun et al.  
8,066,438 B2 11/2011 Takahashi  
D688,720 S 8/2013 Yilin  
8,558,945 B2 10/2013 Yamauchi et al.

(Continued)

FOREIGN PATENT DOCUMENTS

EM 001307292-01-03 12/2011  
EM 001307342-01-06 12/2011

(Continued)

*Primary Examiner* — Ramzi S Almatrahi

(74) *Attorney, Agent, or Firm* — Volpe and Koenig, P.C.

(57) **CLAIM**

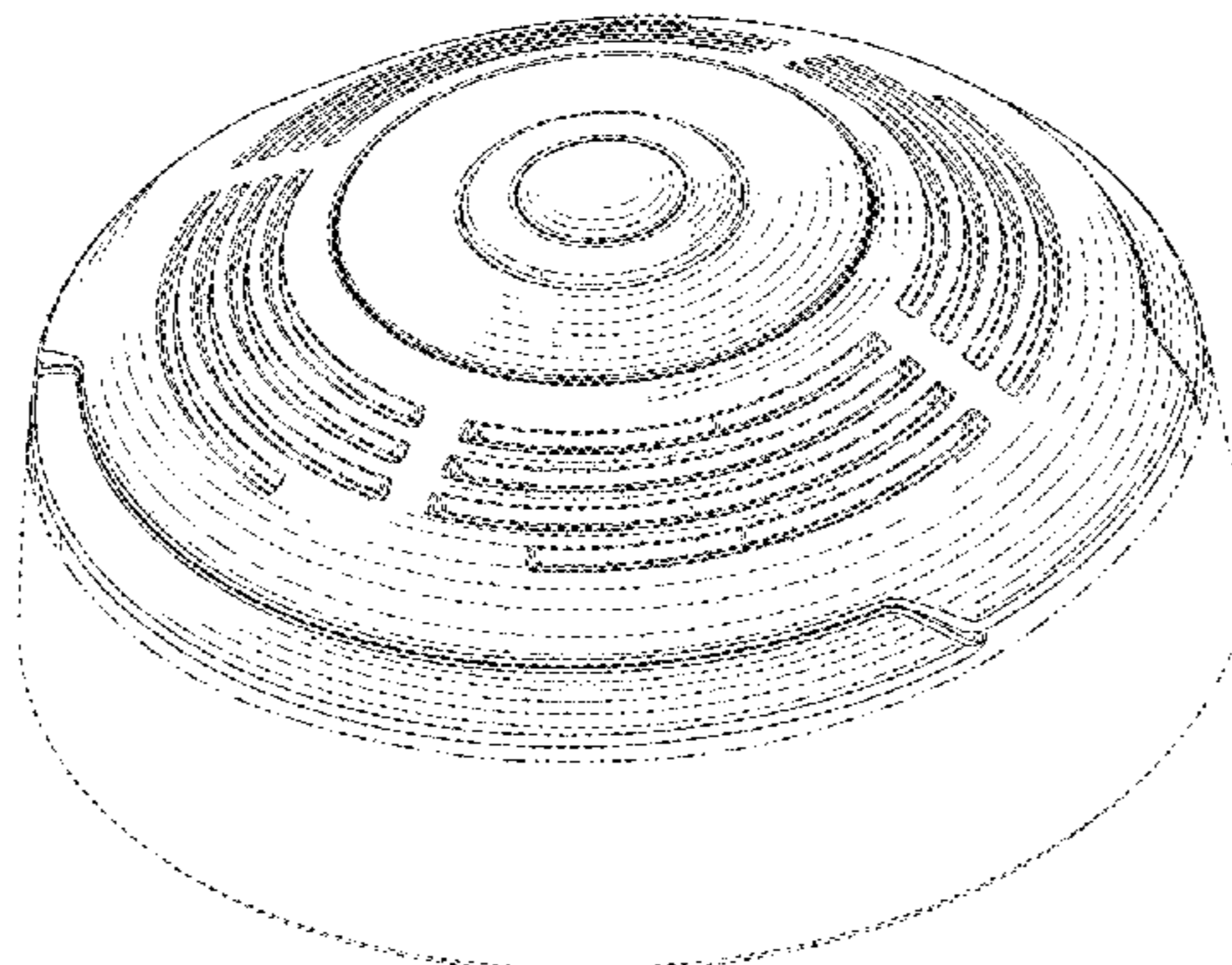
The ornamental design for a monitoring camera, as shown and described.

**DESCRIPTION**

FIG. 1 is a perspective view of a monitoring camera;  
FIG. 2 is a top plan view thereof;  
FIG. 3 is a right side elevational view thereof;  
FIG. 4 is a left side elevational view thereof;  
FIG. 5 is a front plan view thereof;  
FIG. 6 is a rear elevational view thereof; and,  
FIG. 7 is a bottom plan view thereof.

The broken lines represent portions of the monitoring camera in which the design is embodied that form no part of the

(Continued)



claimed design. The dot-dot-dash boundary lines denote the boundary of the claim and form no part of the claimed design.

**1 Claim, 4 Drawing Sheets**

(56)

**References Cited**

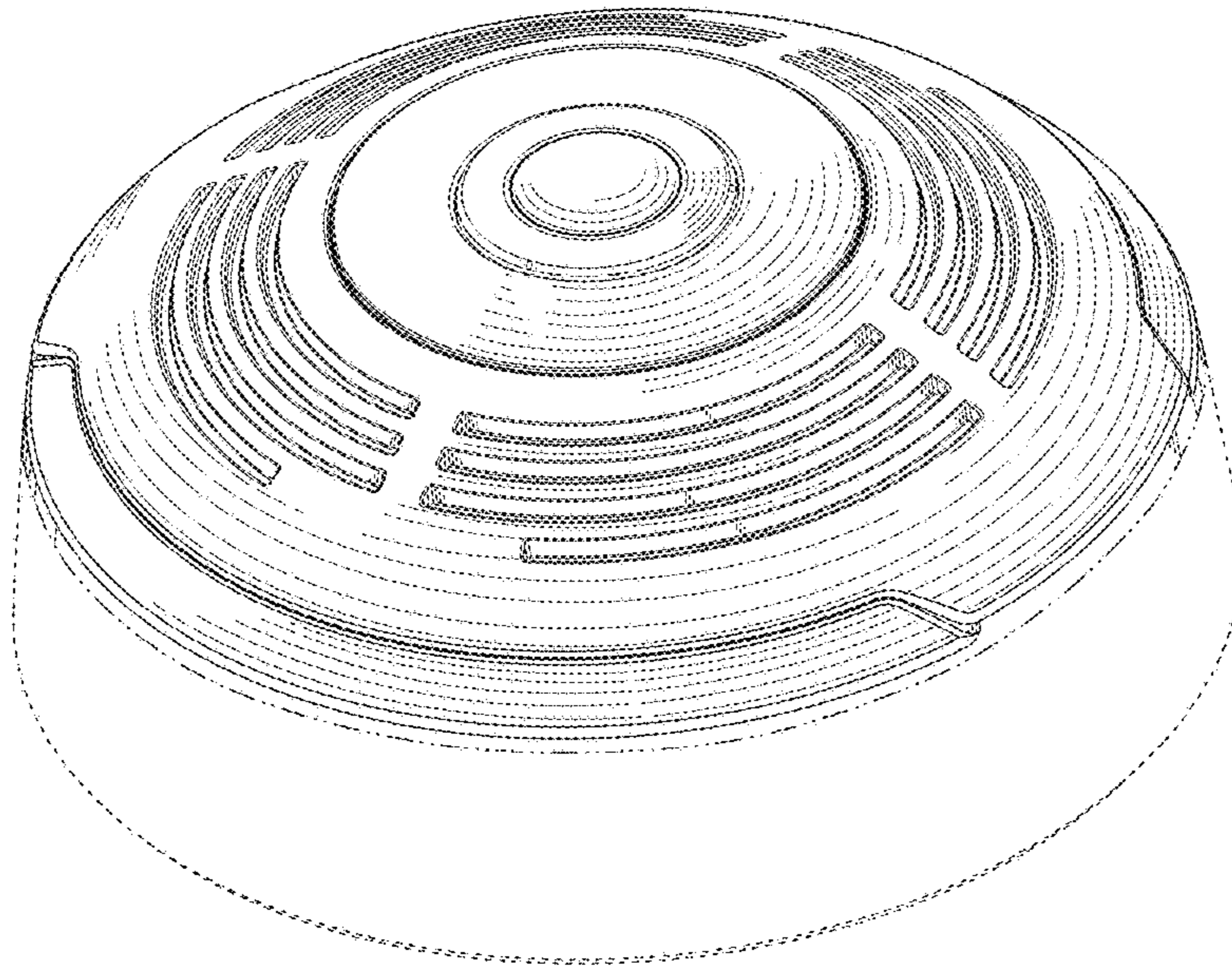
U.S. PATENT DOCUMENTS

D751,621	S	*	3/2016	Katori	.....	D16/203
D752,674	S	*	3/2016	Katori	.....	D16/203
D772,324	S	*	11/2016	Bennermark	.....	D16/203
D781,169	S	*	3/2017	Wang	.....	D10/106.5
D786,725	S	*	5/2017	McCormick	.....	D10/106.5
D796,566	S	*	9/2017	Bingleman	.....	D16/203
D796,567	S	*	9/2017	Bingleman	.....	D16/203
D796,568	S	*	9/2017	Bingleman	.....	D16/203
D798,933	S	*	10/2017	Little	.....	D16/203
D816,755	S	*	5/2018	Barnekow	.....	D16/203
D822,088	S	*	7/2018	Park	.....	D16/203
D827,011	S	*	8/2018	Kip	.....	D16/202
2013/0223833	A1		8/2013	Tenenbaum et al.		

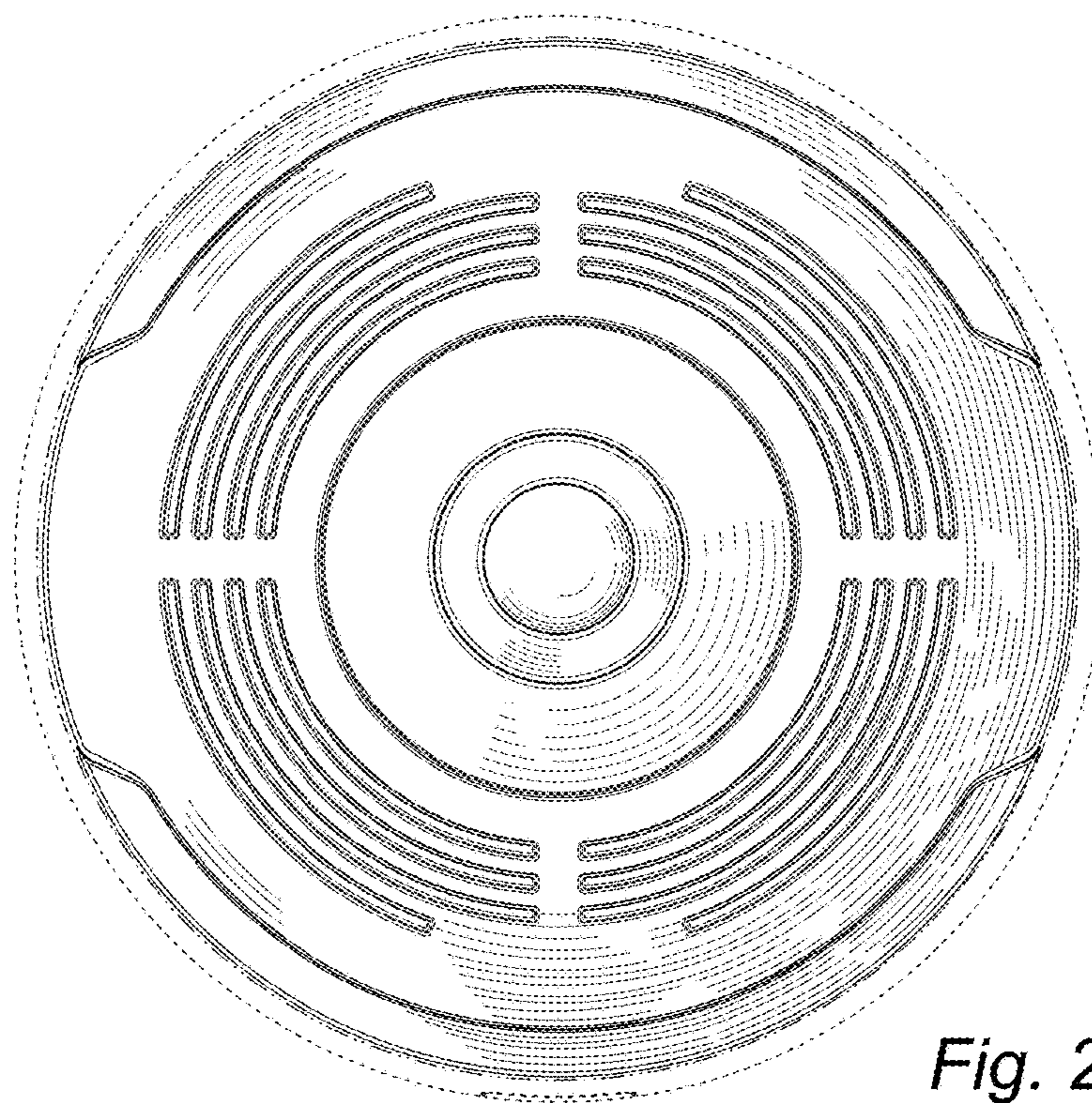
FOREIGN PATENT DOCUMENTS

EM	001343578-01-07	9/2012
EM	002877035-0001	11/2015
TW	D156914	11/2013

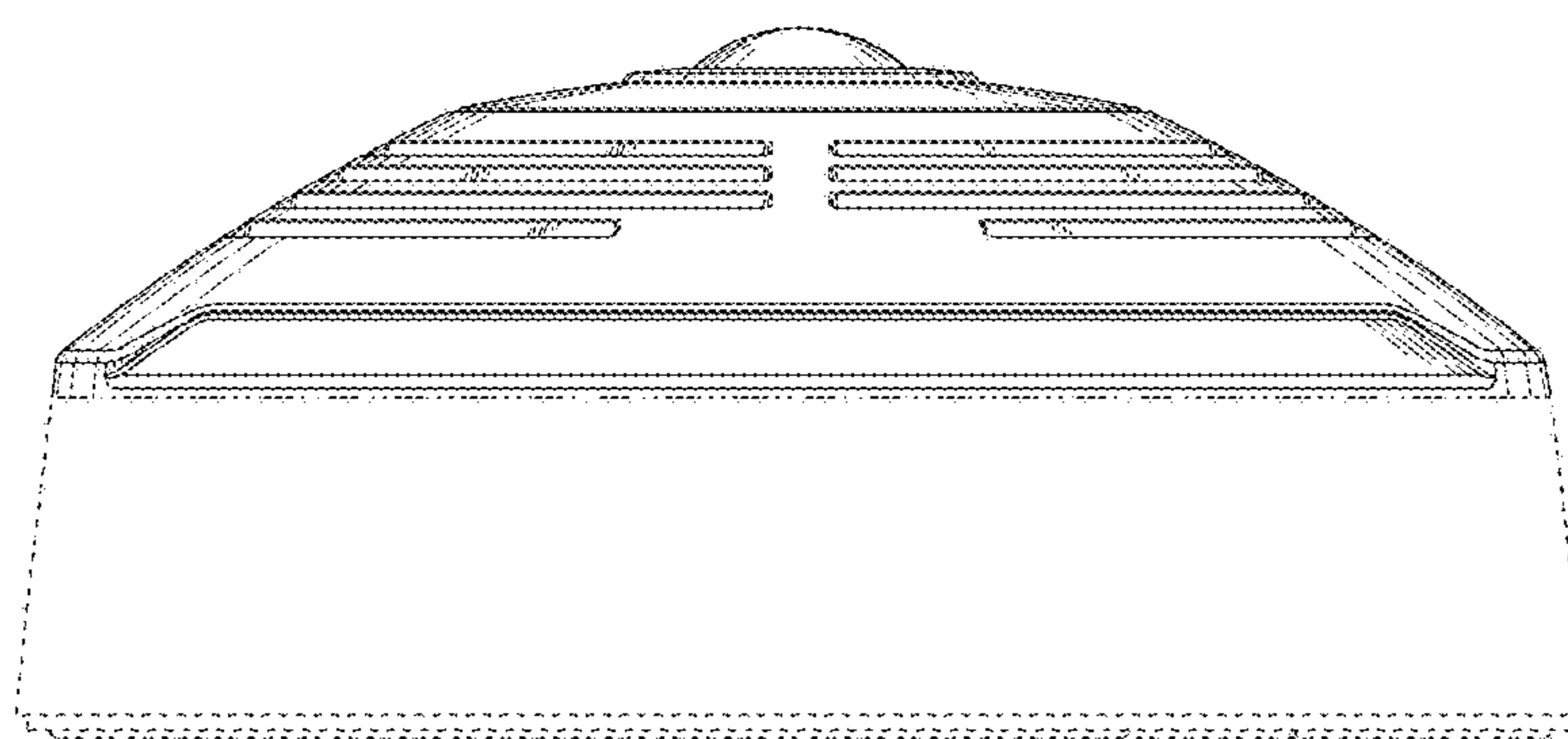
\* cited by examiner



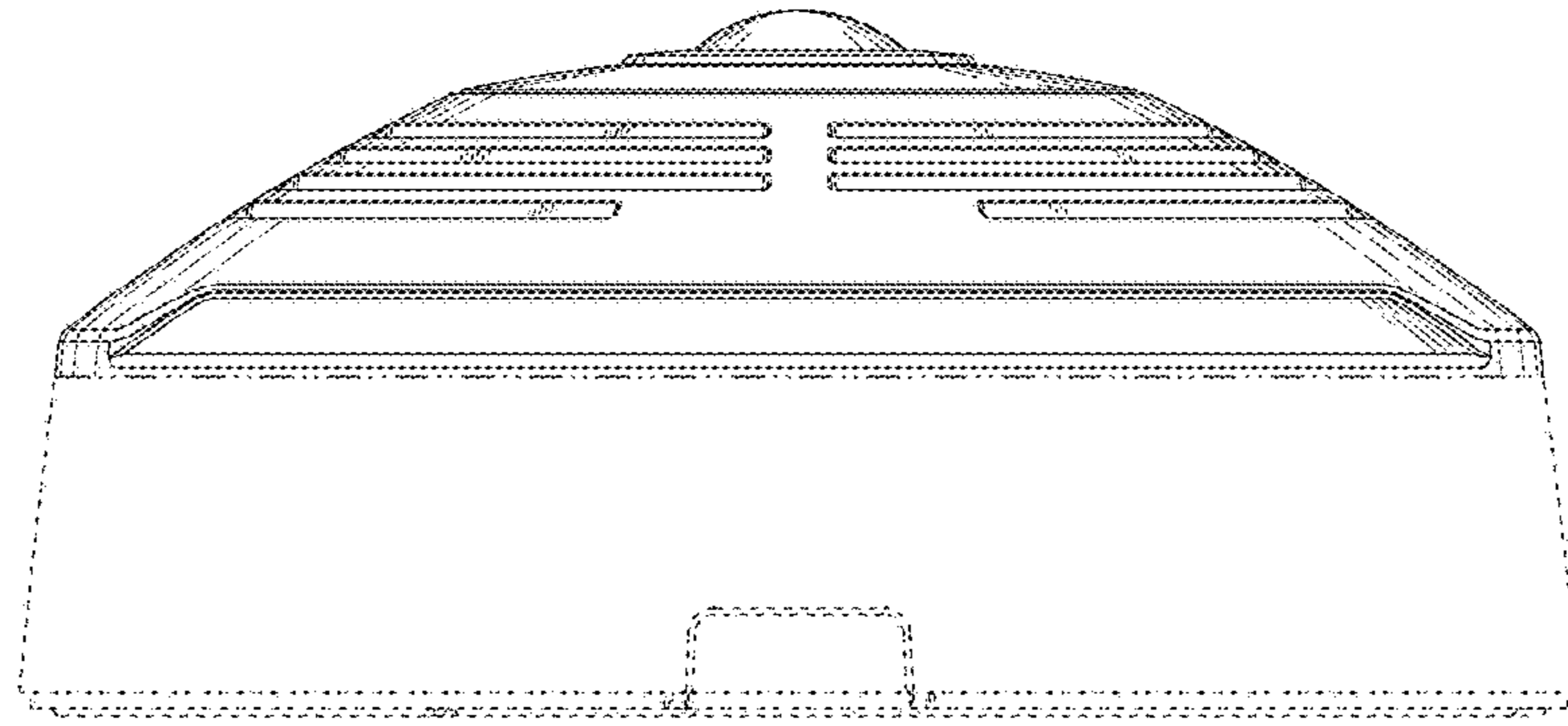
*Fig. 1*



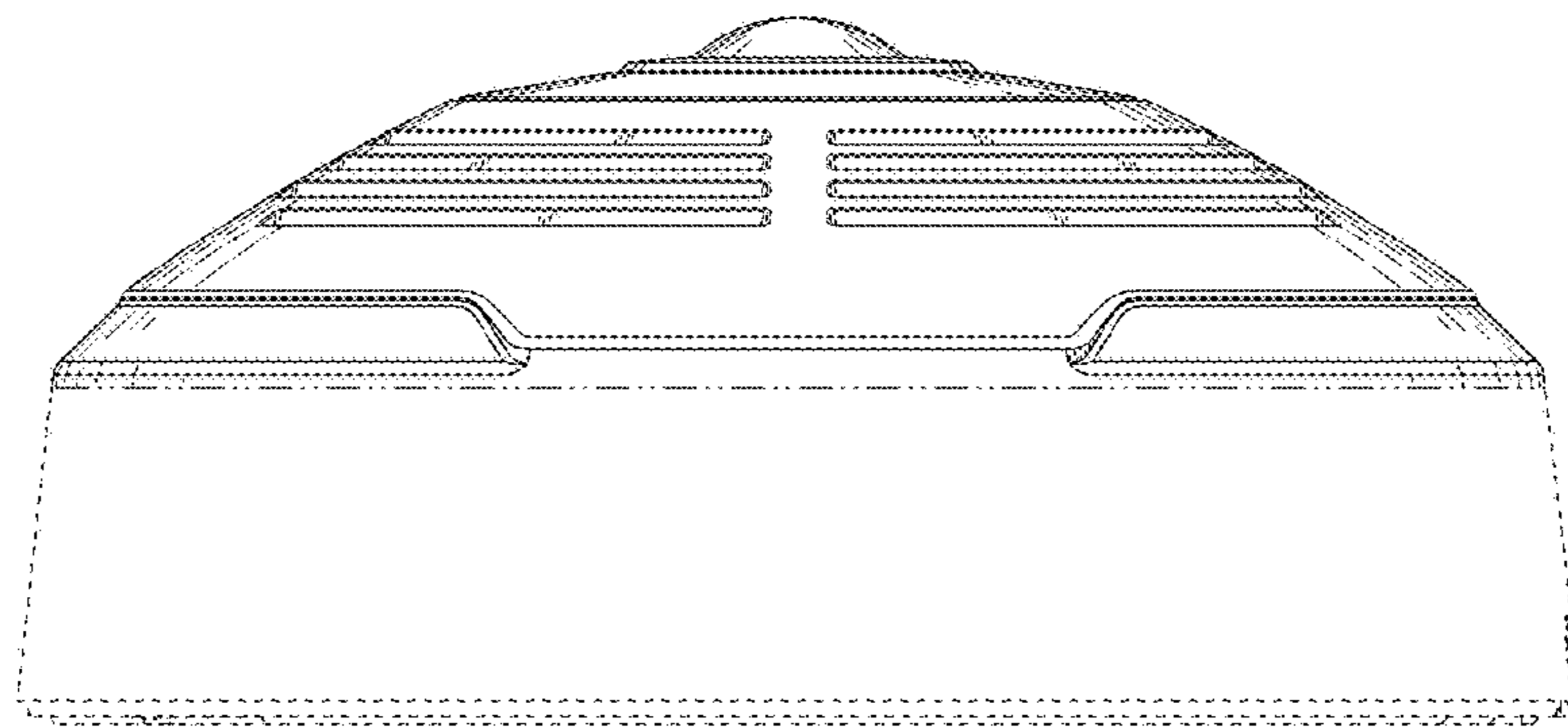
*Fig. 2*



*Fig. 3*



*Fig. 4*



*Fig. 5*

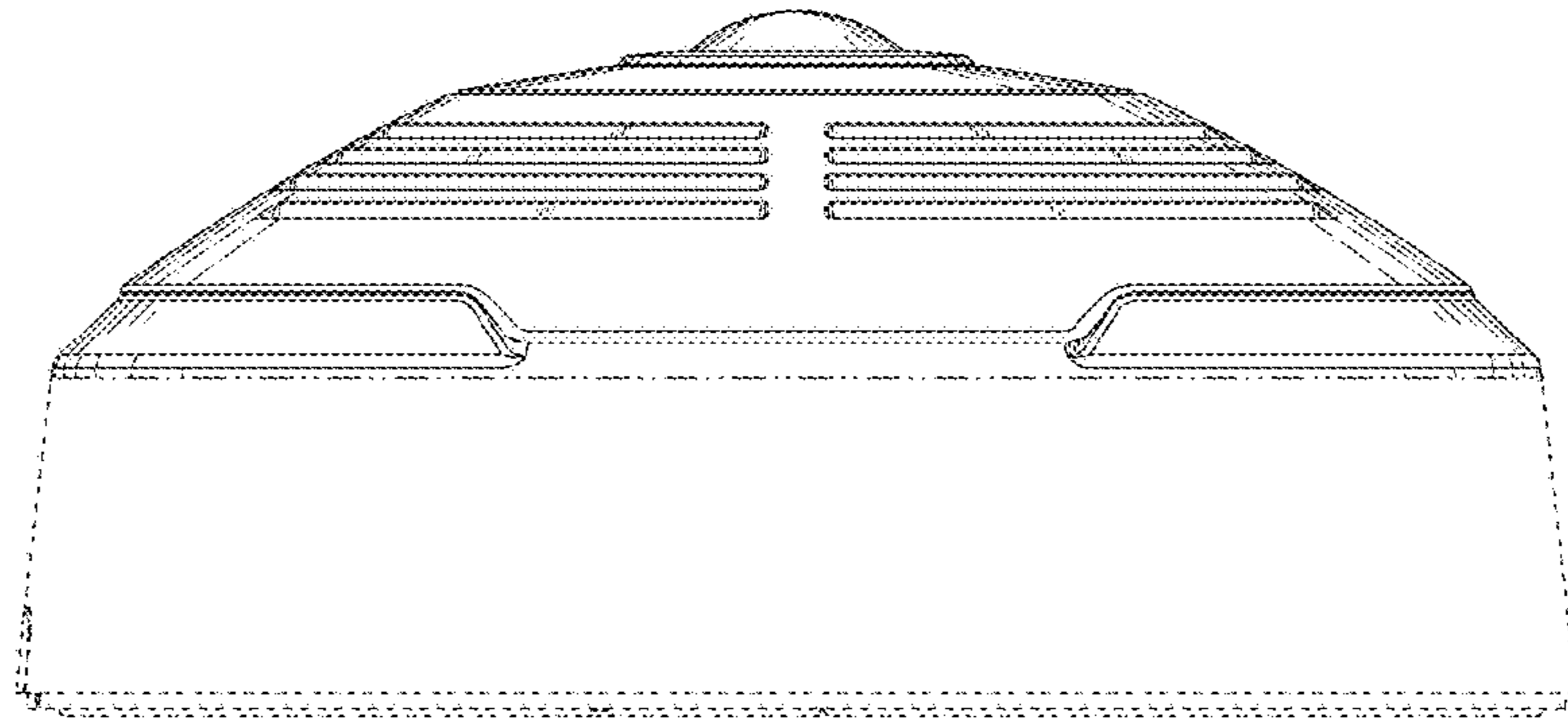


Fig. 6

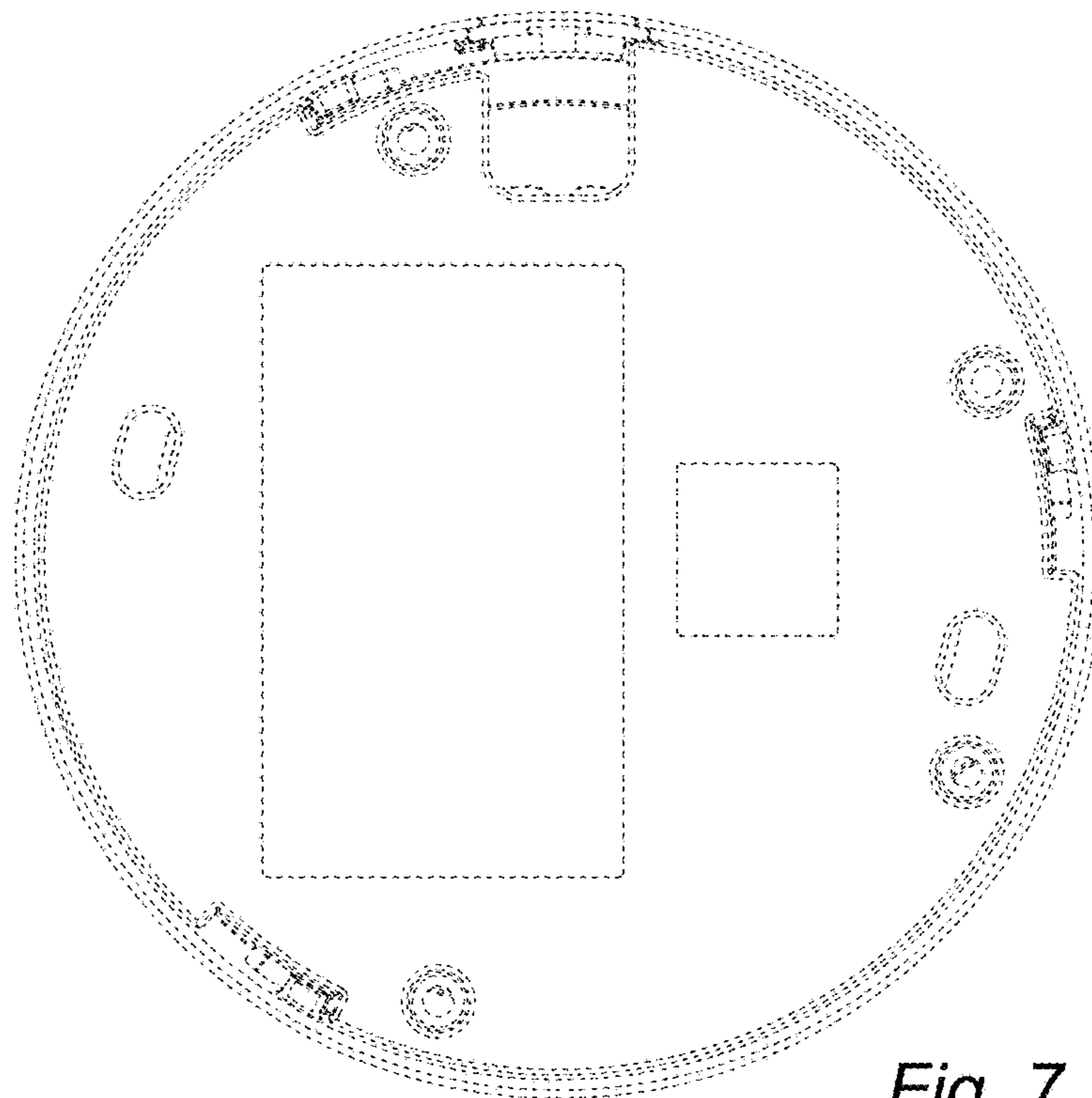


Fig. 7