

US00D848511S

(12) **United States Design Patent**
Shain

(10) **Patent No.:** **US D848,511 S**

(45) **Date of Patent:** **** May 14, 2019**

(54) **CAMERA**

(71) Applicant: **FLIR Systems, Inc.**, Wilsonville, OR (US)

(72) Inventor: **Chaim Shain**, Ridgefield, NJ (US)

(73) Assignee: **FLIR SYSTEMS, INC.**, Wilsonville, OR (US)

(**) Term: **15 Years**

(21) Appl. No.: **29/598,598**

(22) Filed: **Mar. 27, 2017**

(51) **LOC (11) Cl.** **16-05**

(52) **U.S. Cl.**
USPC **D16/219**; D16/203

(58) **Field of Classification Search**
USPC D16/200–220, 131, 237, 242, 239, 250, D16/235, 130, 134, 136; D26/118, D26/138–140; D30/110, 119, 124; D14/242
CPC H04M 2250/52; H04N 5/2251; H04N 5/2252; H04N 5/2253; H01H 2231/046; G02B 13/00; G02B 13/19621; G03B 11/048; G03B 11/04; G03B 11/041; G03B 11/043; G03B 11/045
See application file for complete search history.

(56) **References Cited**

U.S. PATENT DOCUMENTS

D449,630 S *	10/2001	Rak	D10/106.1
D480,741 S *	10/2003	Berger	D16/202
D481,371 S *	10/2003	Chen	D14/150
6,715,940 B2 *	4/2004	Top	G08B 13/19619 348/143
D570,820 S *	6/2008	Katori	D14/149
D580,932 S *	11/2008	Tzou	D14/356
D606,105 S *	12/2009	Hinkel	D16/203
D612,883 S *	3/2010	Yamakawa	D16/203
D614,223 S *	4/2010	Kim	D16/202

D620,485 S *	7/2010	Corrigan	D14/240
D636,804 S *	4/2011	Anneback	D16/203
D685,755 S *	7/2013	Shin	D14/142
D686,201 S *	7/2013	Lee	D14/314
D705,748 S *	5/2014	He	D14/155
D718,762 S *	12/2014	Aarrestad	D14/149
D722,962 S *	2/2015	Kim	D13/108
D729,861 S *	5/2015	Huang	D16/203
D737,356 S *	8/2015	Tabuchi	D16/218
D740,262 S *	10/2015	Hasegawa	D14/240

(Continued)

OTHER PUBLICATIONS

Quasar 4x2K Panoramic, published Jun. 12, 2018 [online], [retrieved Sep. 1, 2018], Available from Internet, URL: <<https://web.archive.org/web/20180612001420/https://www.flir.com/products/quasar-4-x-2k/>>.*

(Continued)

Primary Examiner — Barbara Fox
Assistant Examiner — Mary C Ramirez
(74) *Attorney, Agent, or Firm* — Haynes and Boone, LLP

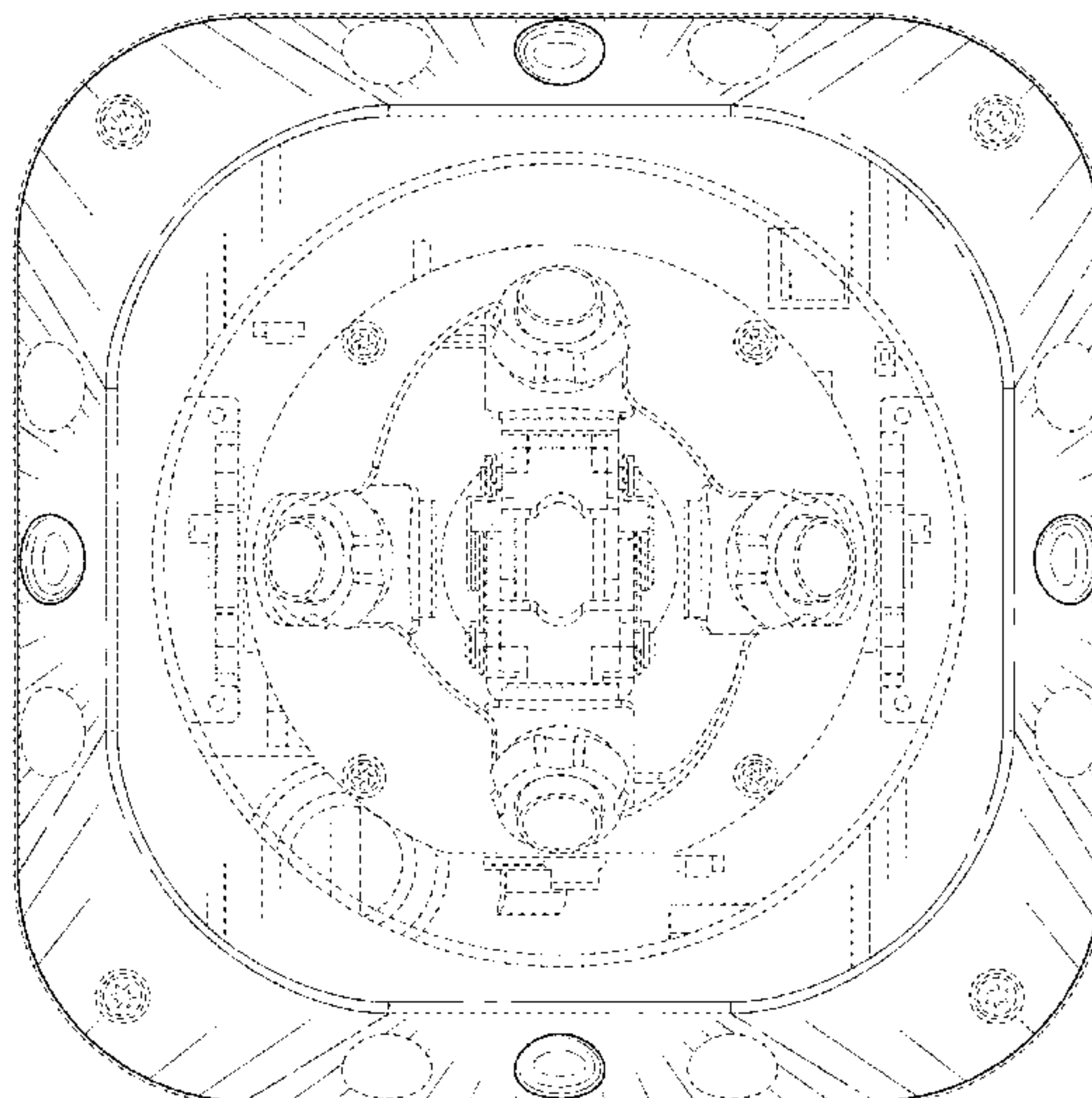
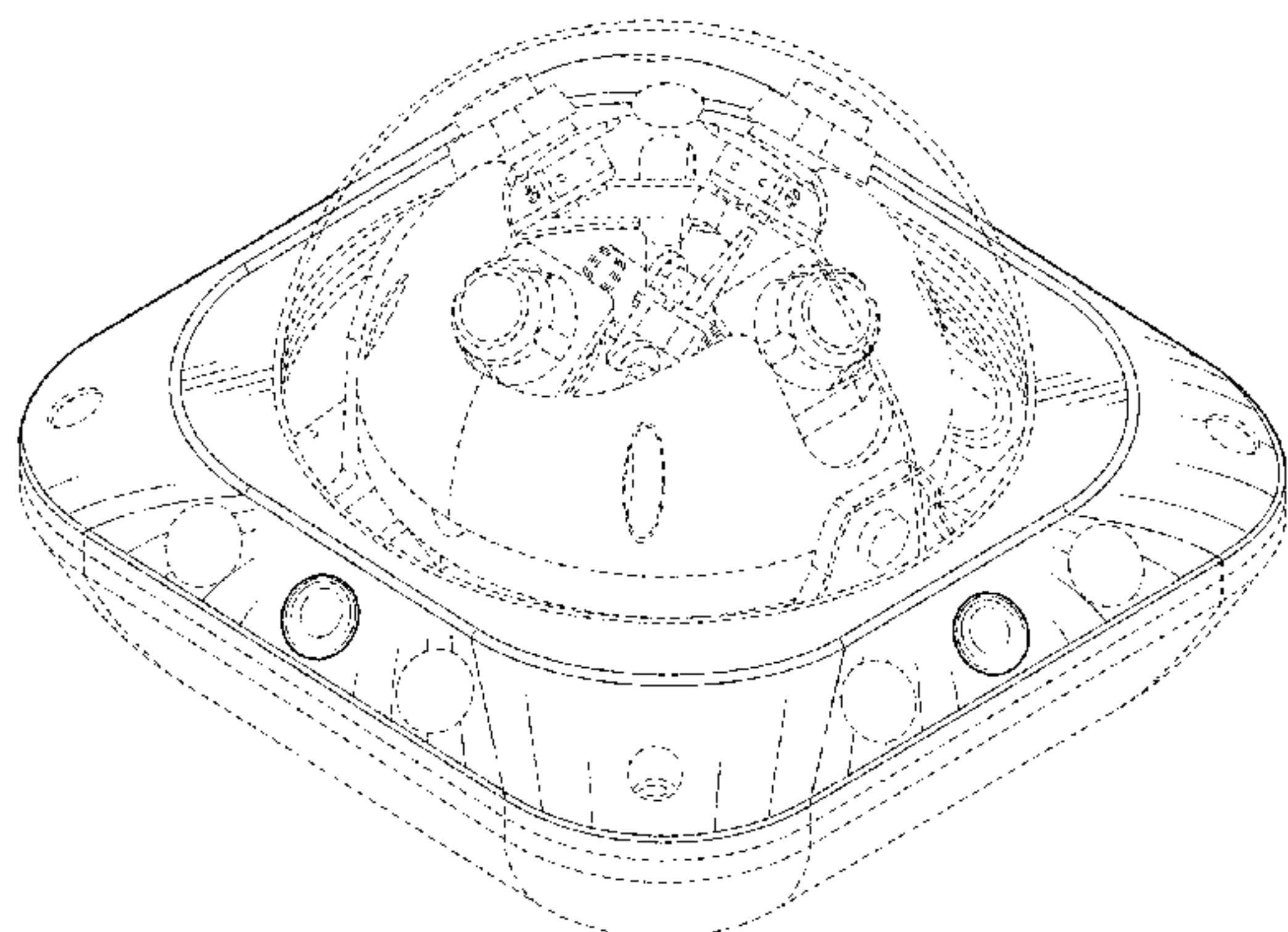
(57) **CLAIM**

The ornamental design for a camera, as shown and described.

DESCRIPTION

FIG. 1 is a front, left, and top perspective view of a camera embodying the new design; FIG. 2 is a rear, right, and bottom perspective view thereof; FIG. 3 is a rear elevational view thereof; FIG. 4 is a front elevational view thereof; FIG. 5 is a left side view thereof; FIG. 6 is a right side view thereof; FIG. 7 is a top plan view thereof; and, FIG. 8 is a bottom plan view thereof. The broken lines shown in the drawings depict portions of the camera that form no part of the claimed design.

1 Claim, 6 Drawing Sheets



(56)

References Cited

U.S. PATENT DOCUMENTS

D744,572	S	*	12/2015	Tabuchi	D16/218
D755,880	S		5/2016	Luo et al.		
D764,559	S	*	8/2016	Luo	D16/202
D771,175	S	*	11/2016	Choi	D16/218
D782,429	S	*	3/2017	Xianda	D14/125
D783,619	S	*	4/2017	Couture	D14/433
D785,608	S	*	5/2017	Weaver	D14/240
D786,112	S	*	5/2017	Kucala	D10/106.1
D800,820	S	*	10/2017	Bergman	D16/237
D809,493	S	*	2/2018	Konotopskyi	D14/242
D815,626	S	*	4/2018	Clover	D14/242
D818,028	S	*	5/2018	Ramones	D16/214
D818,029	S	*	5/2018	Fujita	D16/218
D828,428	S	*	9/2018	Lee	D16/203
D831,598	S	*	10/2018	Jiang	D14/125
D834,083	S	*	11/2018	Matsumoto	D16/202
D834,630	S	*	11/2018	Huang	D16/203

OTHER PUBLICATIONS

FLIR's Quasar 4x2K Panoramic Security Camera, published Dec. 13, 2017 [online], [retrieved Sep. 1, 2018], Available from Internet, URL: <<https://www.securityinfowatch.com/product/12386632/flir-systems-inc-flirs-quasar-4x2k-panoramic-security-camera>>.*

Arecont Vision, "SurroundVideo® Series", Mar. 20, 2017, <URL:<http://www.arecontvision.com/landing-pages/surround-video/overview.php>>, retrieved Jul. 10, 2017, 9 pages.

Avigilon, "8 MP JPEG2000 HD 360° Pano Camera", Feb. 16, 2017, <URL:<http://avigilon.com/products/video-surveillance/cameras/hd-panoramic/jpeg2000-hd-panoramic-camera/8-mp-360-jpeg2000-dome-panoramic/>>, retrieved Jul. 10, 2017, 1 page.

Dahua, "Dahua Technology 6MP Outdoor Vandal-Resistant Network Fisheye Camera with Night Vision", Mar. 14, 2017, <URL:<http://www.bhphotovideo.com/bnh/controller/home?O=&sku=1264294&gclid=COPG5pCDgd1CFc5XDQod4SoMxA&is=REG&ap=y&c3ap=1876%2C52934714882%2C&Q=&A=details>>, retrieved Jul. 10, 2017, 3 pages.

Dahua, "Dahua 6 MP-HD Multi-Lens Panoramic Network IR Bullet Camera", Mar. 14, 2017, <URL:<http://www.securityinfowatch.com/product/12248614/dahua-technology-usa-dahua-6mp-hd-multi-lens-panoramic-network-ir-bullet-camera>>, retrieved Jul. 10, 2017, 4 pages.

MEGAPIX®PANO, "MEGApix™ 2.1 Megapixel Three Sensor Indoor/Outdoor Dome IP Camera", Jan. 7, 2017, <URL:<http://digital-watchdog.com/productdetail/DWC-PV2M4T>>, 4 pages.

Pelco, "Optera™ Series Panoramic IP Camera", Mar. 14, 2017, <URL:<http://www.pelco.com/panoramic-ip-cameras-wdr-low-light-performance-optera#tab/documents>>, retrieved Jul. 10, 2017, 2 pages.

* cited by examiner

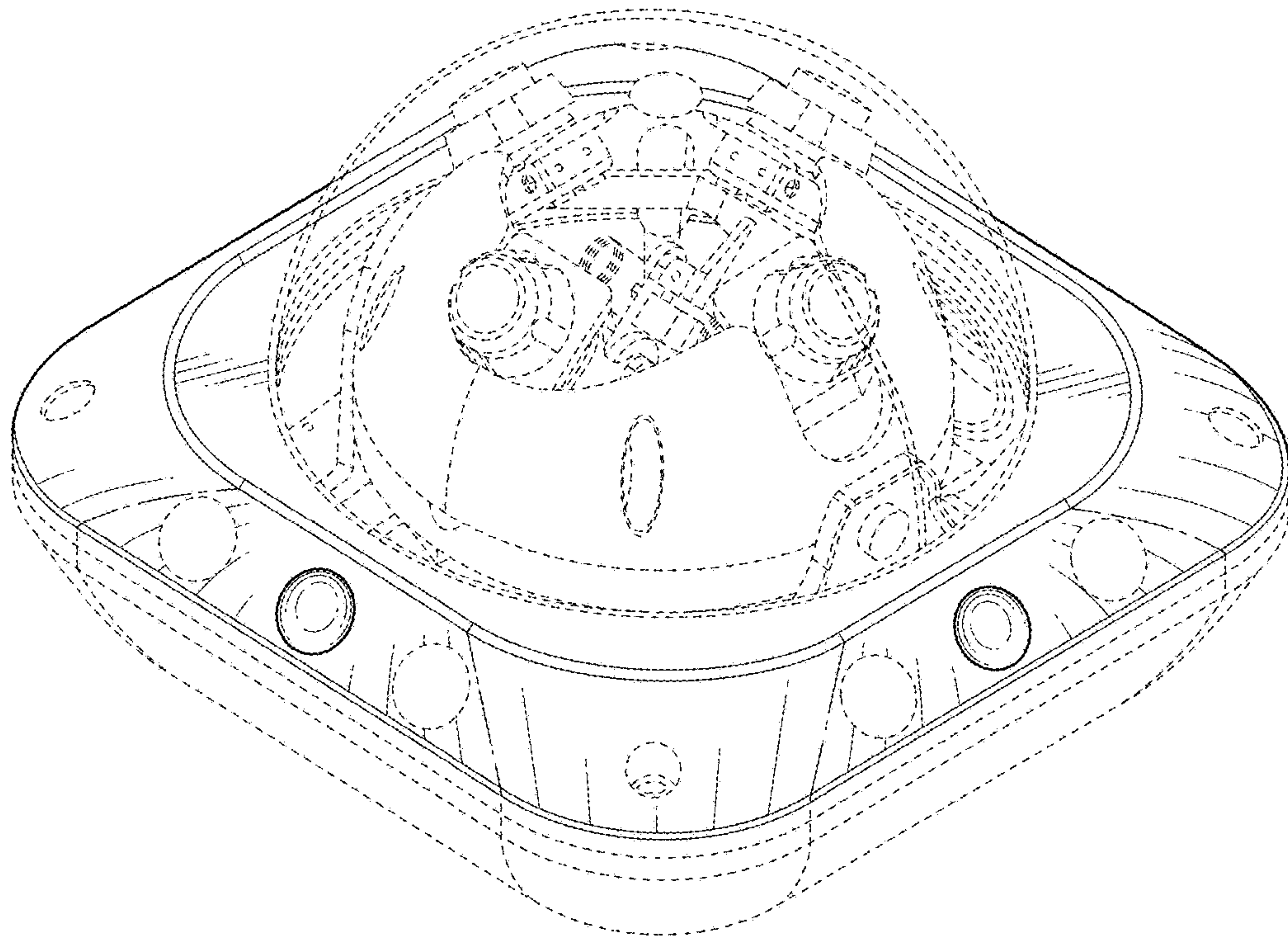


FIG. 1

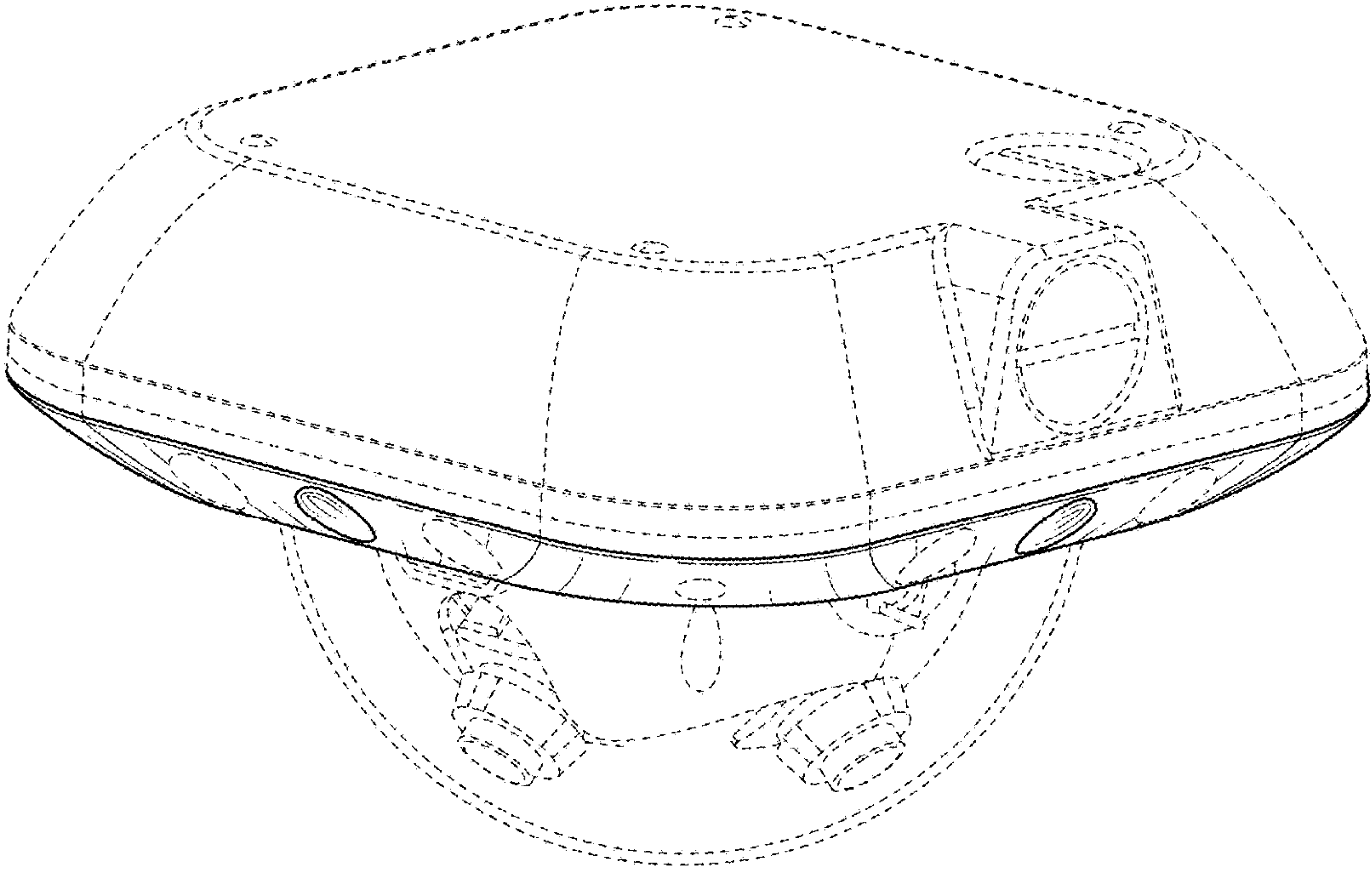


FIG. 2

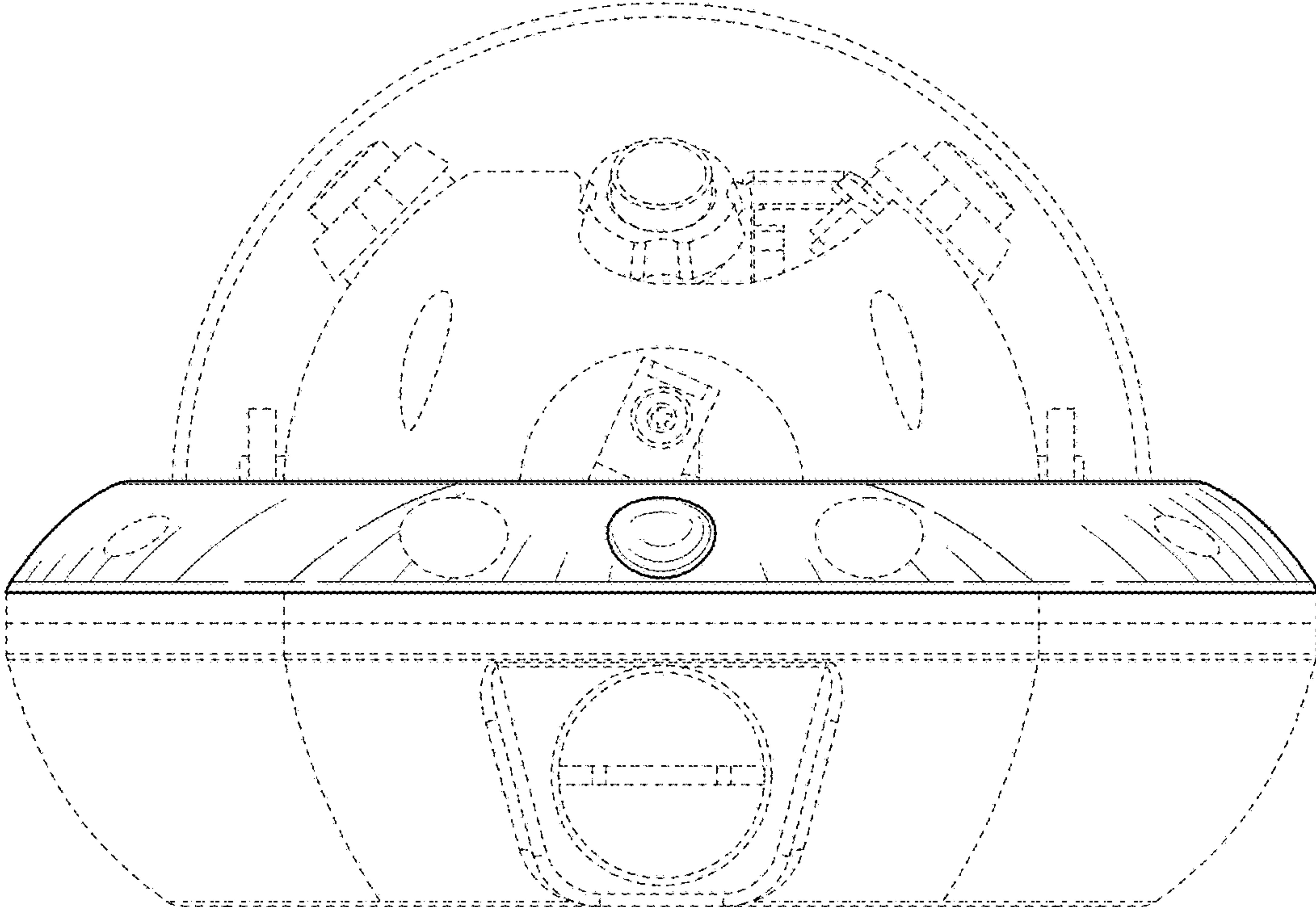


FIG. 3

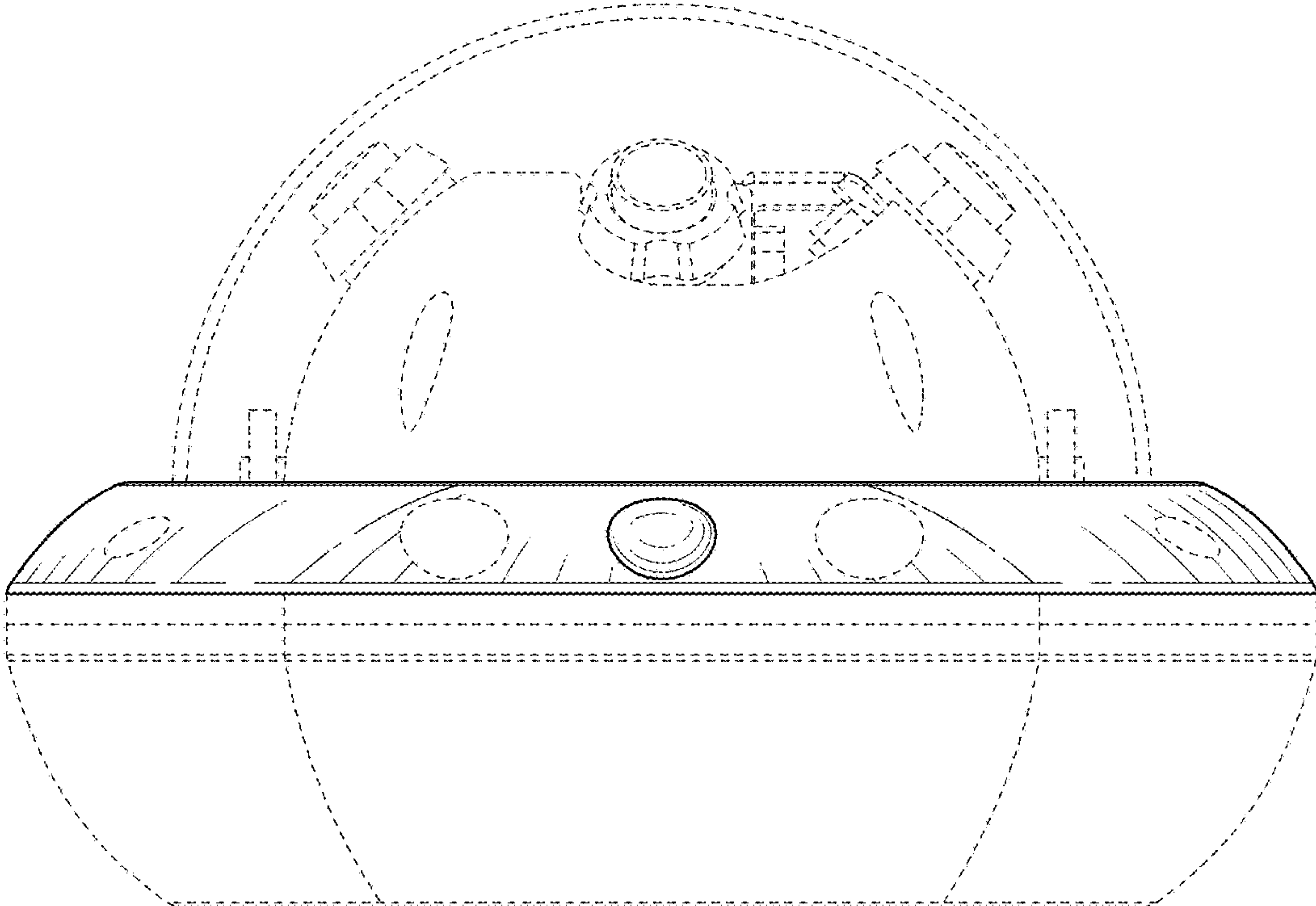


FIG. 4

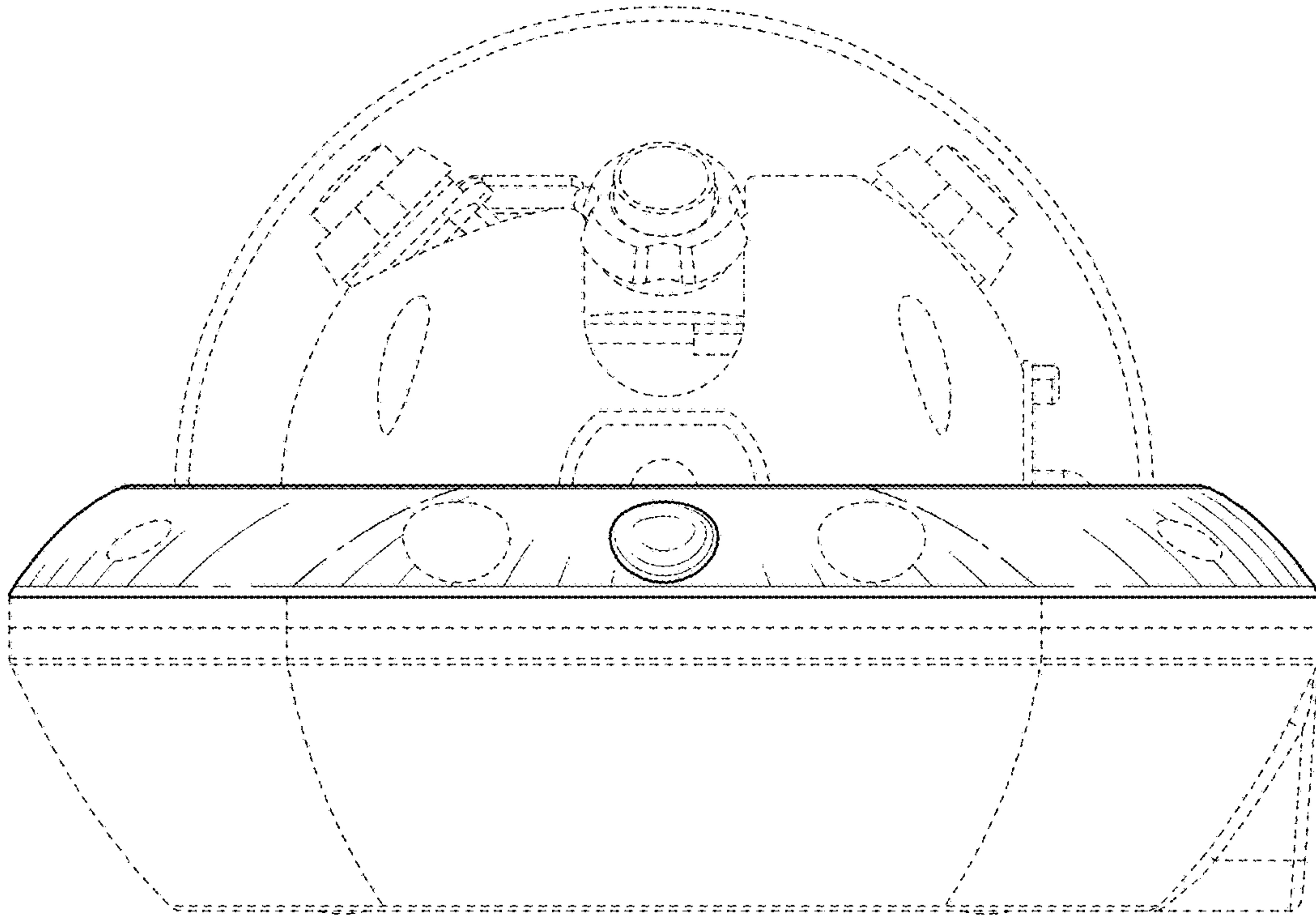


FIG. 5

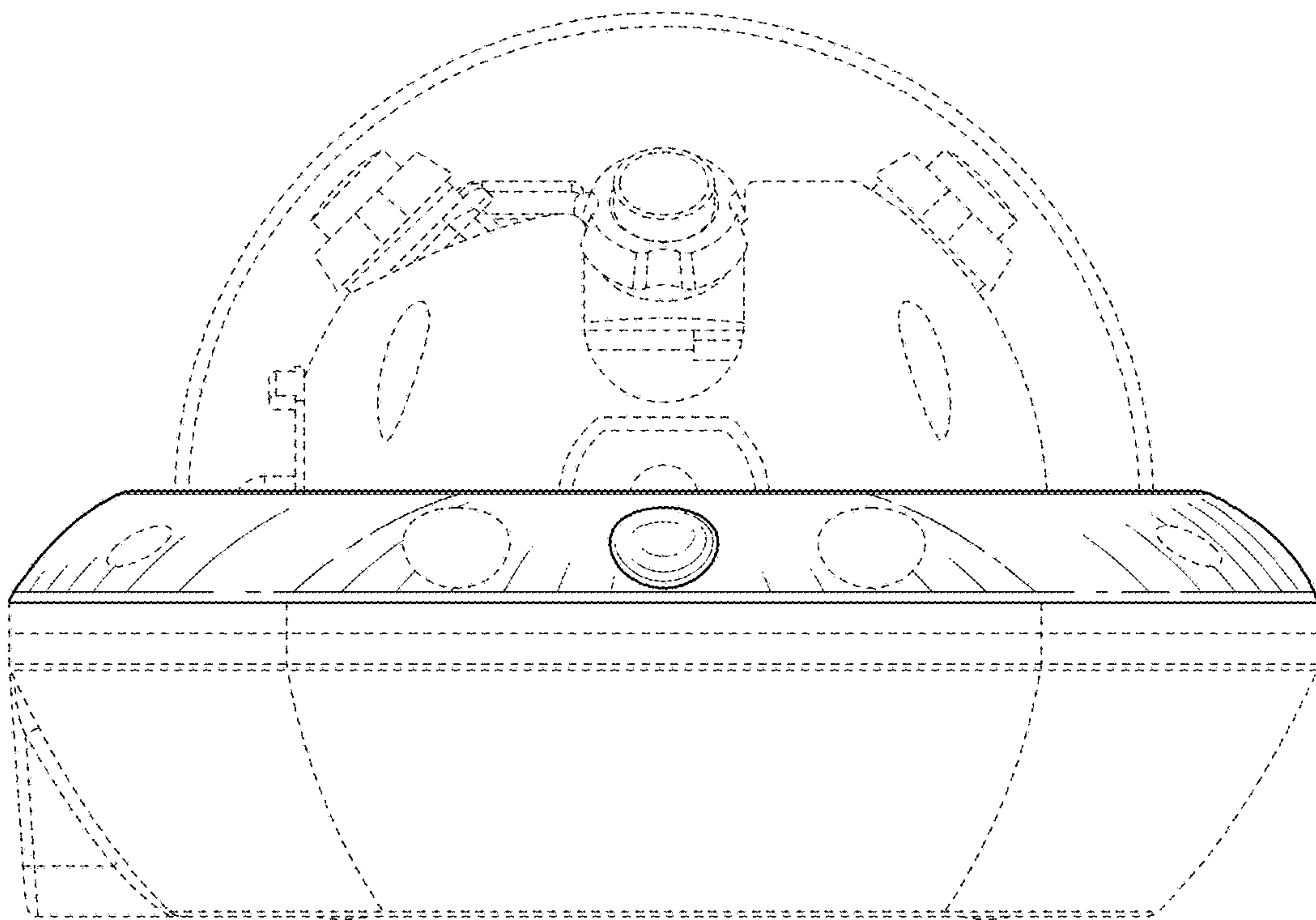


FIG. 6

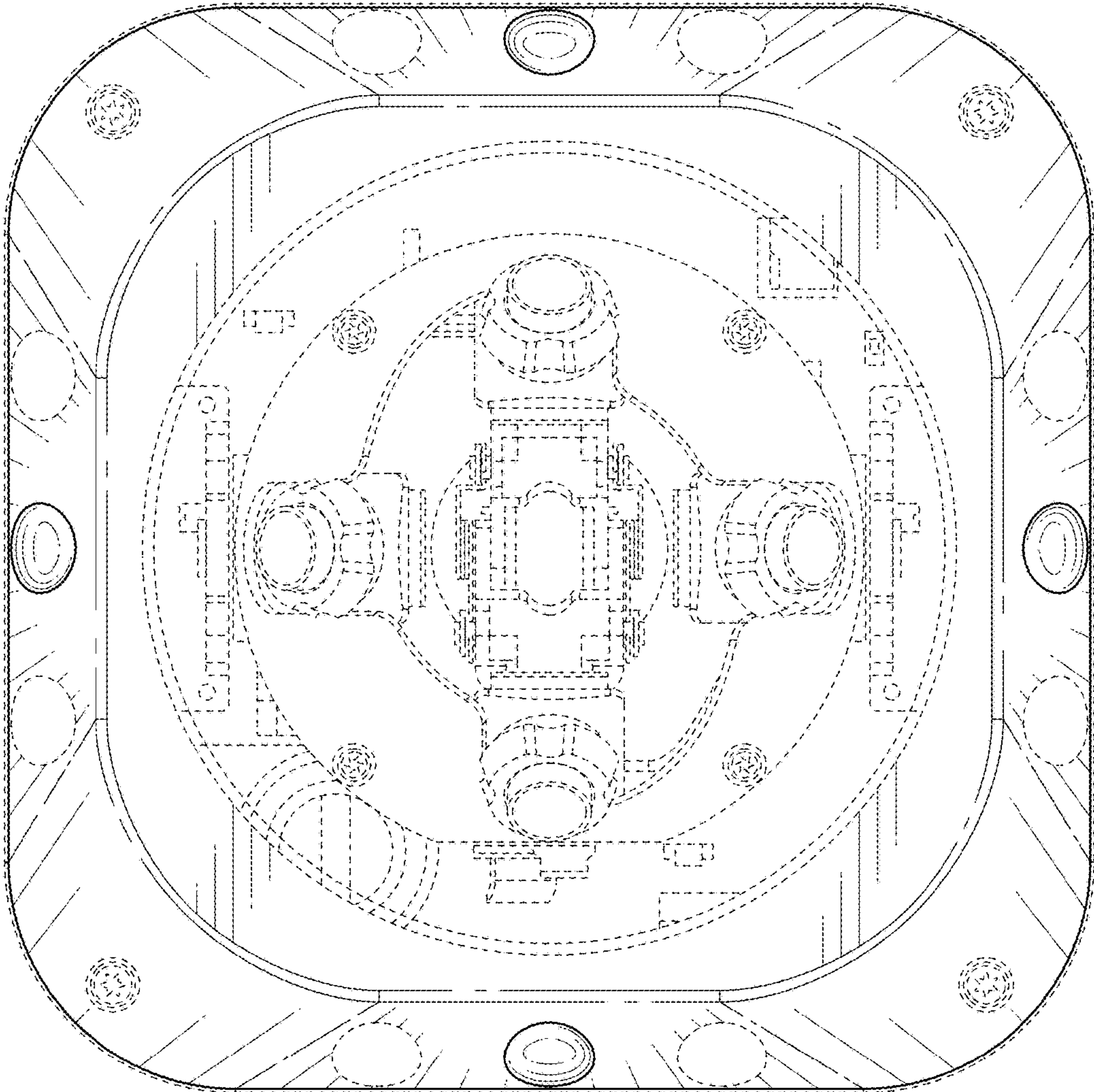


FIG. 7

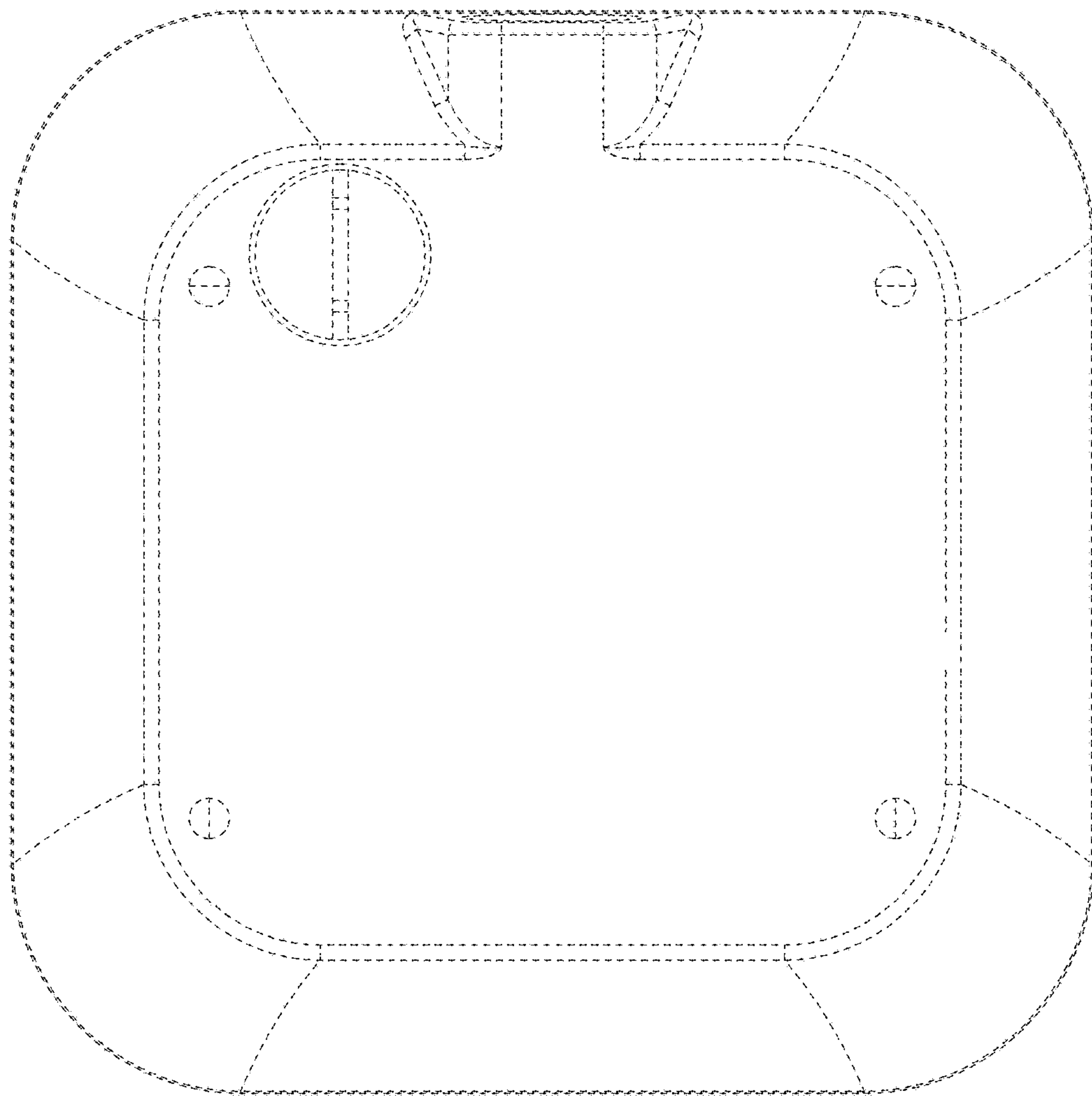


FIG. 8