



US00D848509S

(12) **United States Design Patent** (10) **Patent No.:** **US D848,509 S**  
**Lee** (45) **Date of Patent:** **\*\* May 14, 2019**

(54) **WEARABLE CAMERA**  
(71) Applicant: **Transcend Information, Inc.**, Taipei (TW)  
(72) Inventor: **Yu-Wei Lee**, New Taipei (TW)  
(73) Assignee: **Transcend Information, Inc.**, Taipei (TW)  
(\*\*) Term: **15 Years**  
(21) Appl. No.: **29/607,624**  
(22) Filed: **Jun. 14, 2017**  
(51) **LOC (11) Cl.** ..... **16-01**  
(52) **U.S. Cl.**  
USPC ..... **D16/218**  
(58) **Field of Classification Search**  
USPC ..... D16/200, 202–206, 208, 218, 219;  
348/373–376; 396/535, 539–541  
CPC ..... G03B 15/03; G03B 17/02; G03B 17/04;  
G03B 17/56; G03B 19/04; H04N 5/2251;  
H04N 5/2252; H04N 5/2253; H04N  
5/2254; H04N 2101/00  
See application file for complete search history.

(56) **References Cited**  
U.S. PATENT DOCUMENTS  
D651,632 S \* 1/2012 Kim ..... D16/202  
D725,691 S \* 3/2015 De Rosa ..... D16/202  
D729,295 S \* 5/2015 Onruang ..... D16/202  
D744,572 S \* 12/2015 Tabuchi ..... D16/218

D754,767 S \* 4/2016 Sandy ..... D16/202  
D755,272 S \* 5/2016 Patulski ..... D16/202  
D770,553 S \* 11/2016 Schield ..... D16/202  
D794,695 S \* 8/2017 Zhang ..... D16/218  
D797,836 S \* 9/2017 Li ..... D16/218  
D802,644 S \* 11/2017 Lee ..... D16/202  
2013/0038728 A1 \* 2/2013 Kim ..... H04N 5/2252  
348/143  
2014/0160349 A1 \* 6/2014 Huang ..... H04N 5/2251  
348/375

\* cited by examiner

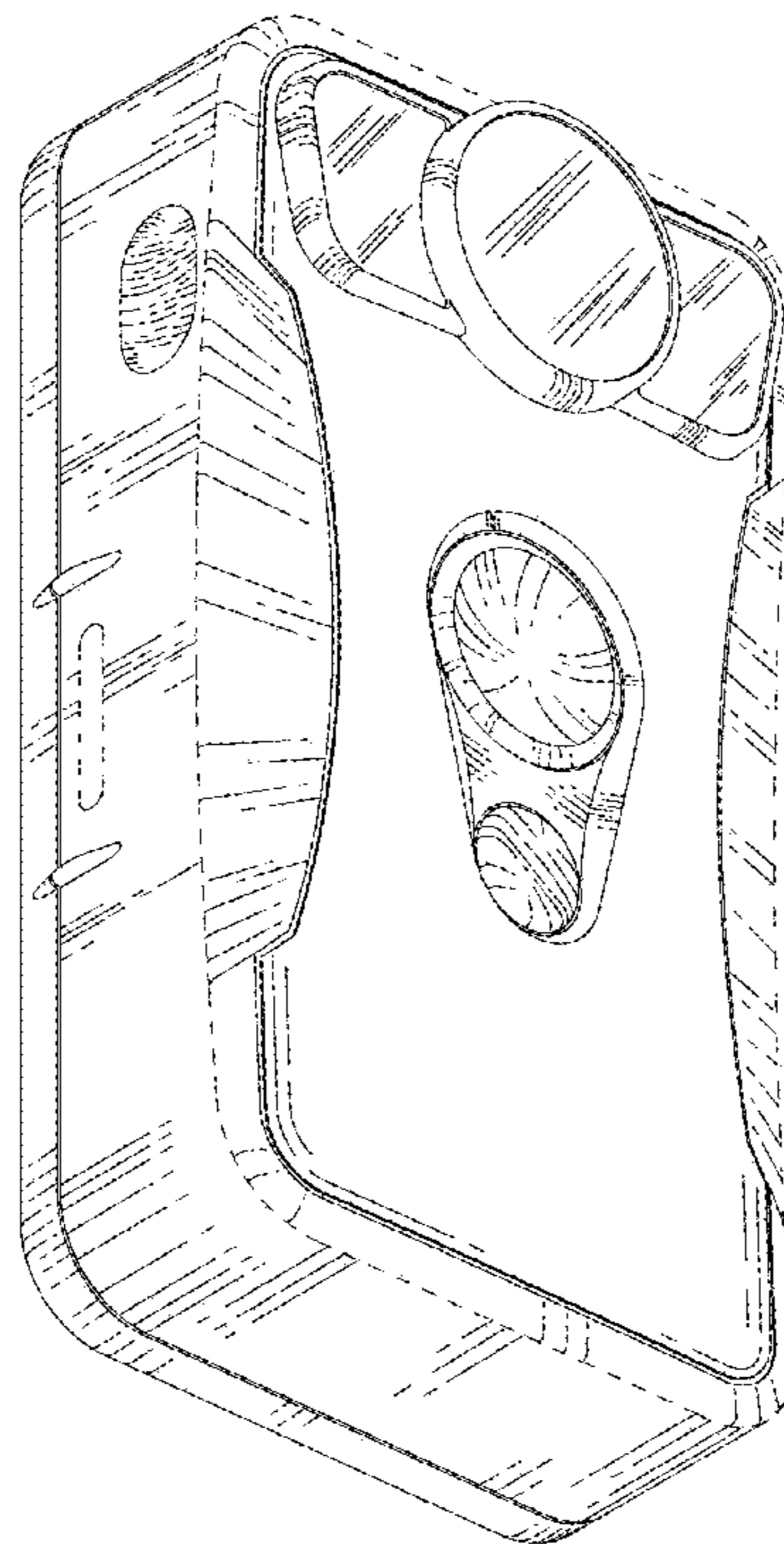
*Primary Examiner* — Ramzi S Almatrahi  
(74) *Attorney, Agent, or Firm* — Winston Hsu

(57) **CLAIM**  
The ornamental design for a wearable camera, as shown and described.

**DESCRIPTION**

FIG. 1 is a bottom, front and left side perspective view of a wearable camera showing my new design;  
FIG. 2 is another bottom, front and left side perspective view thereof;  
FIG. 3 is a top, front and right side perspective view thereof;  
FIG. 4 is a front elevation view thereof;  
FIG. 5 is a rear elevation view thereof;  
FIG. 6 is a left side elevation view thereof;  
FIG. 7 is a right side elevation view thereof;  
FIG. 8 is a top plan view thereof; and,  
FIG. 9 is a bottom plan view thereof.  
The broken lines depict portions of the wearable camera that form no part of the claimed design.

**1 Claim, 9 Drawing Sheets**



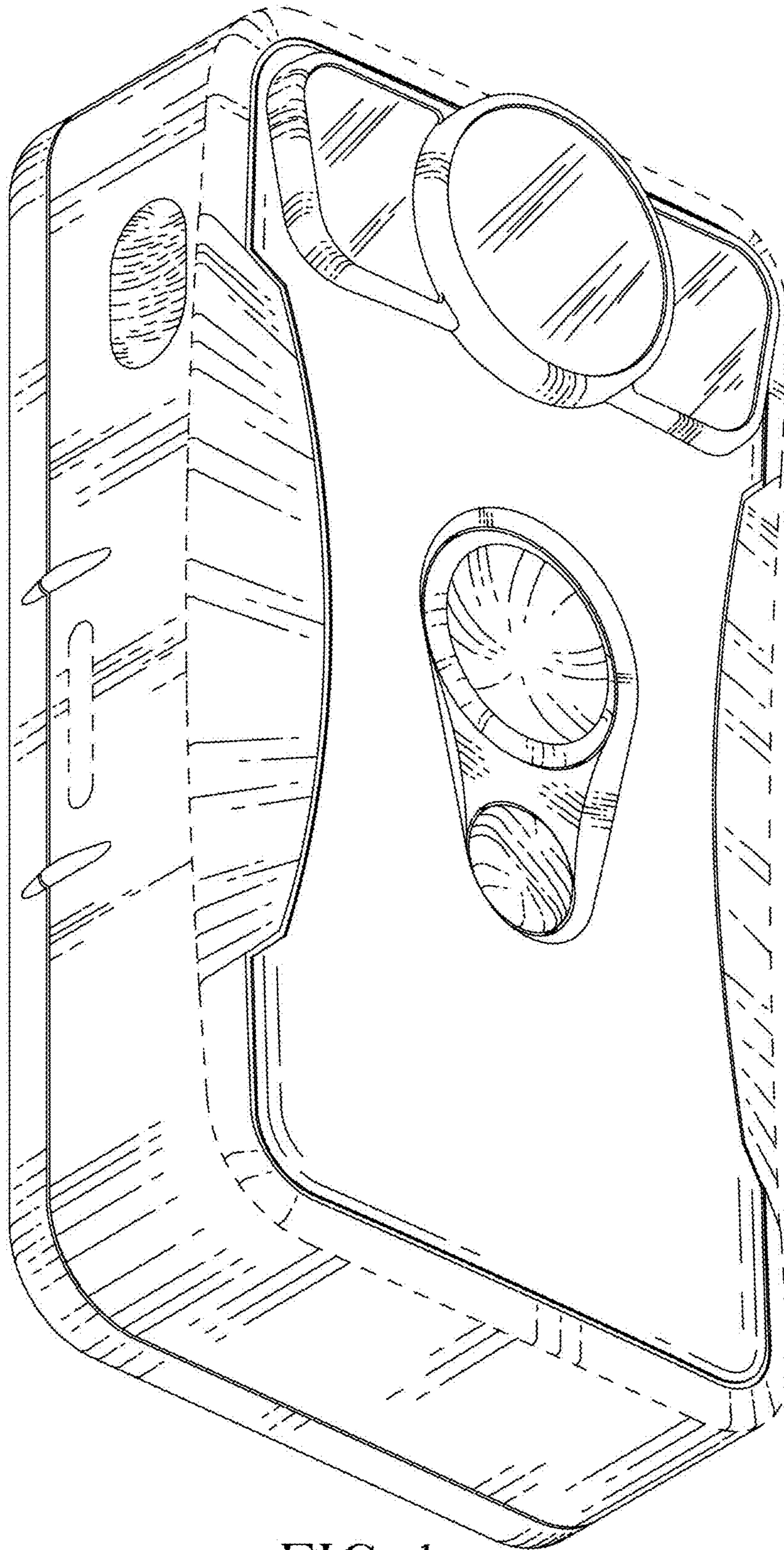


FIG. 1

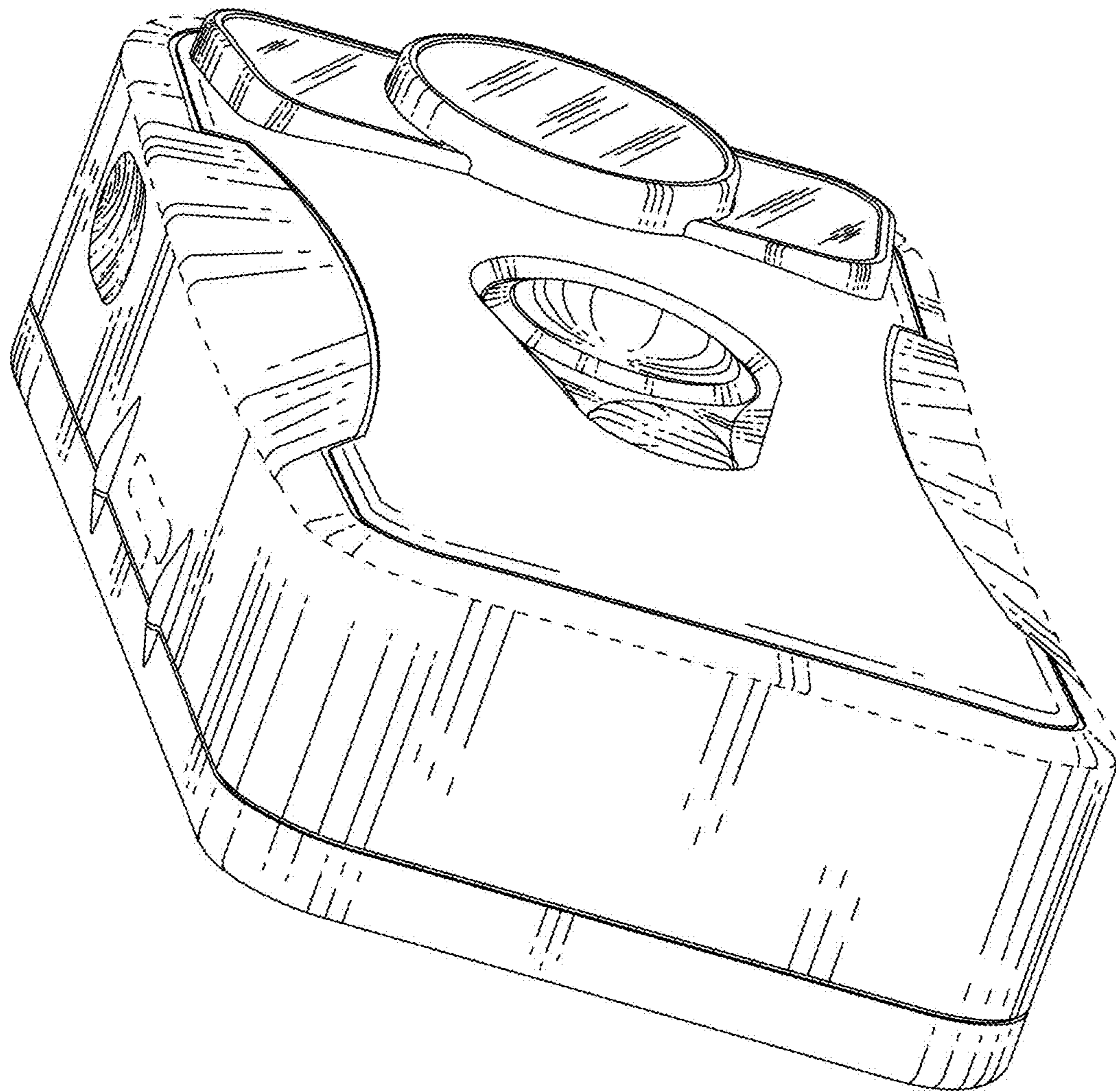


FIG. 2

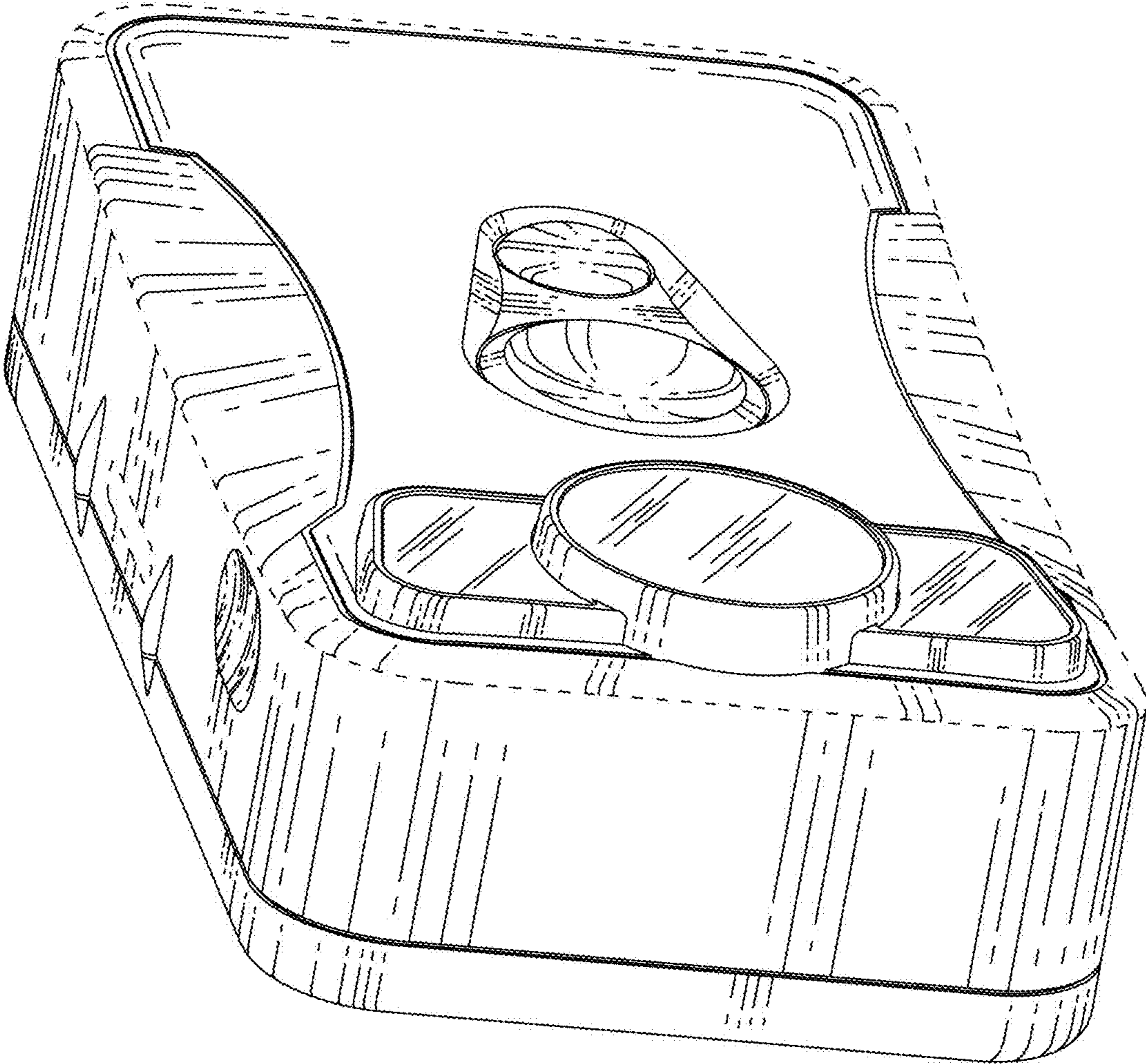


FIG. 3

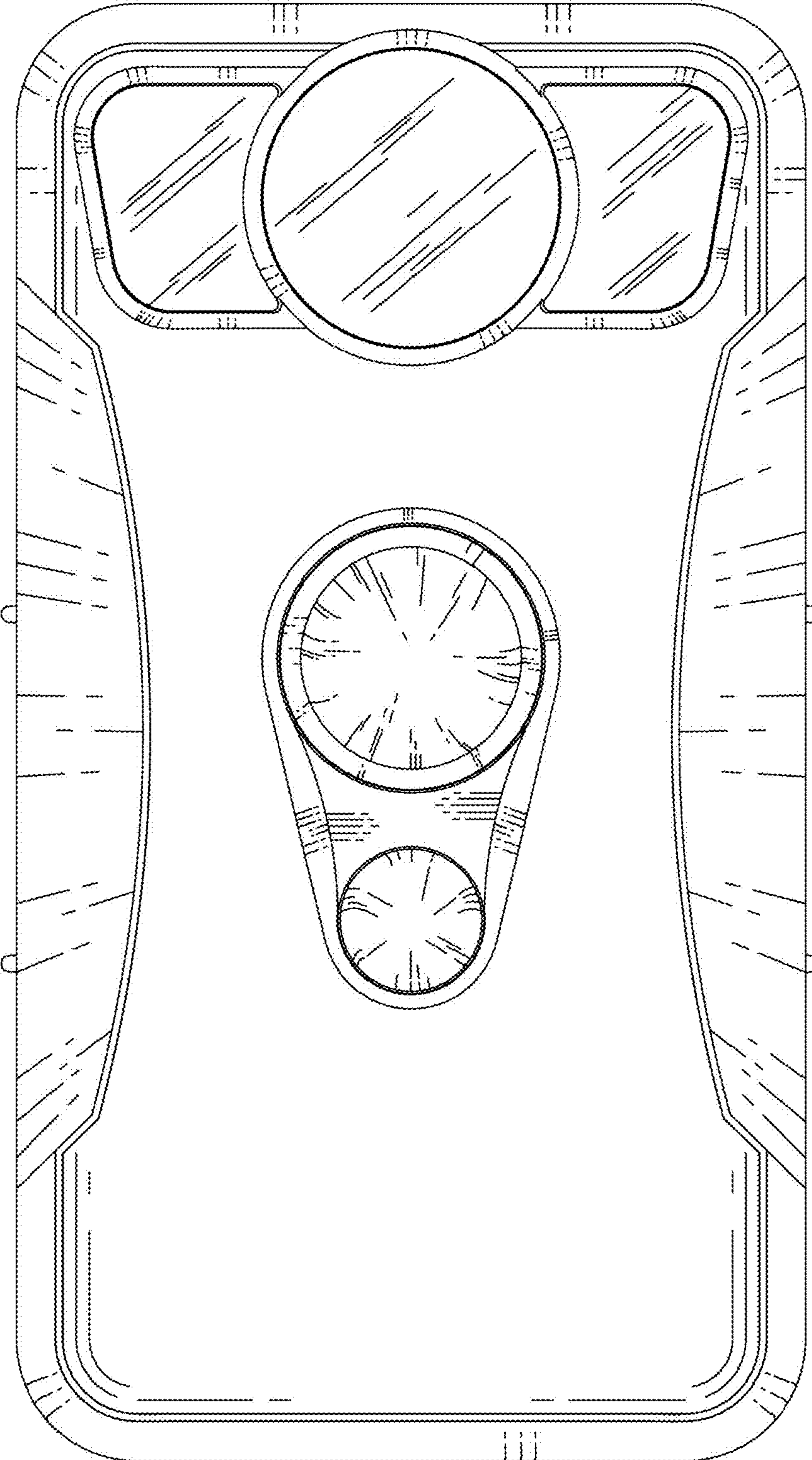


FIG. 4

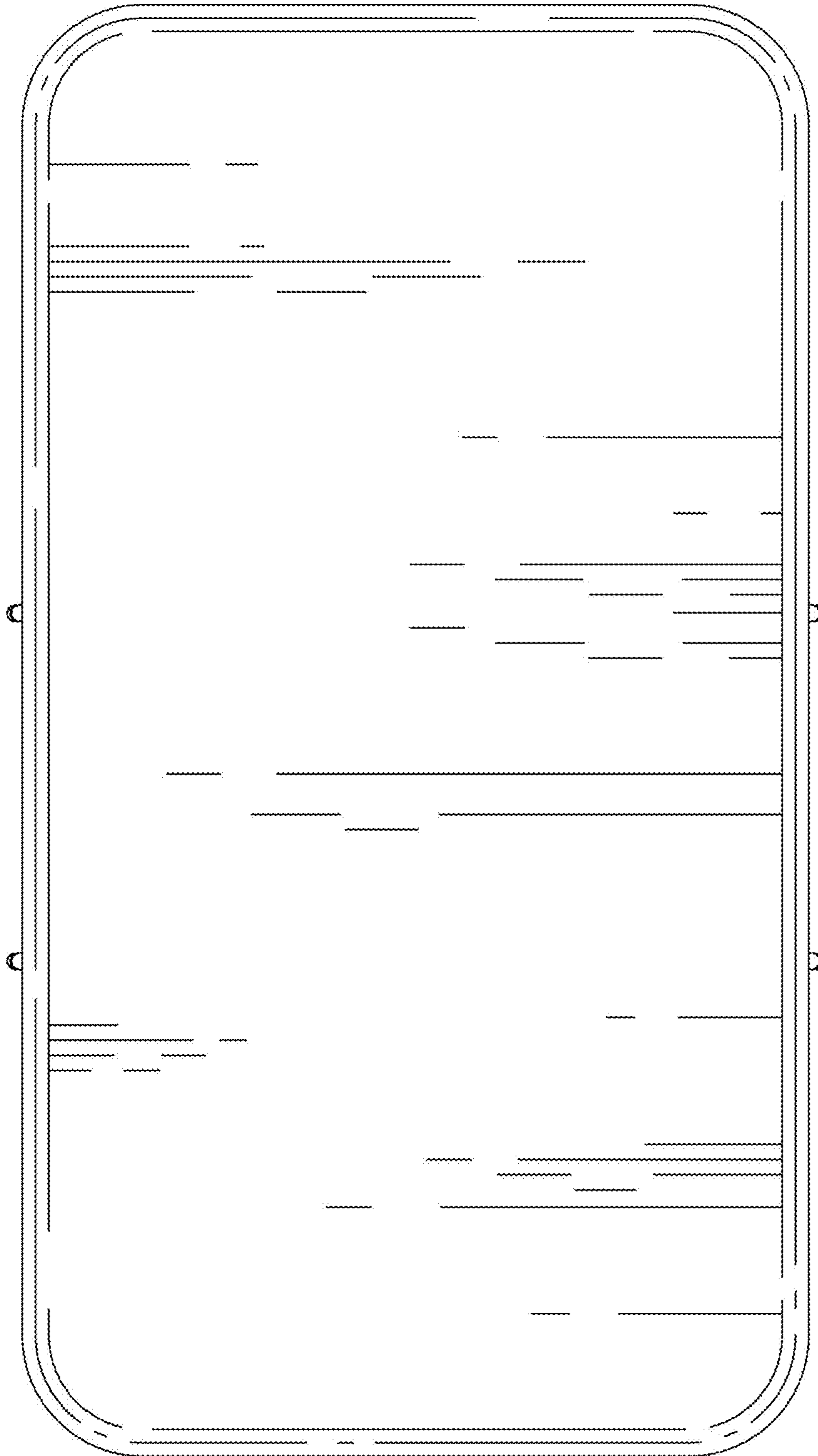


FIG. 5

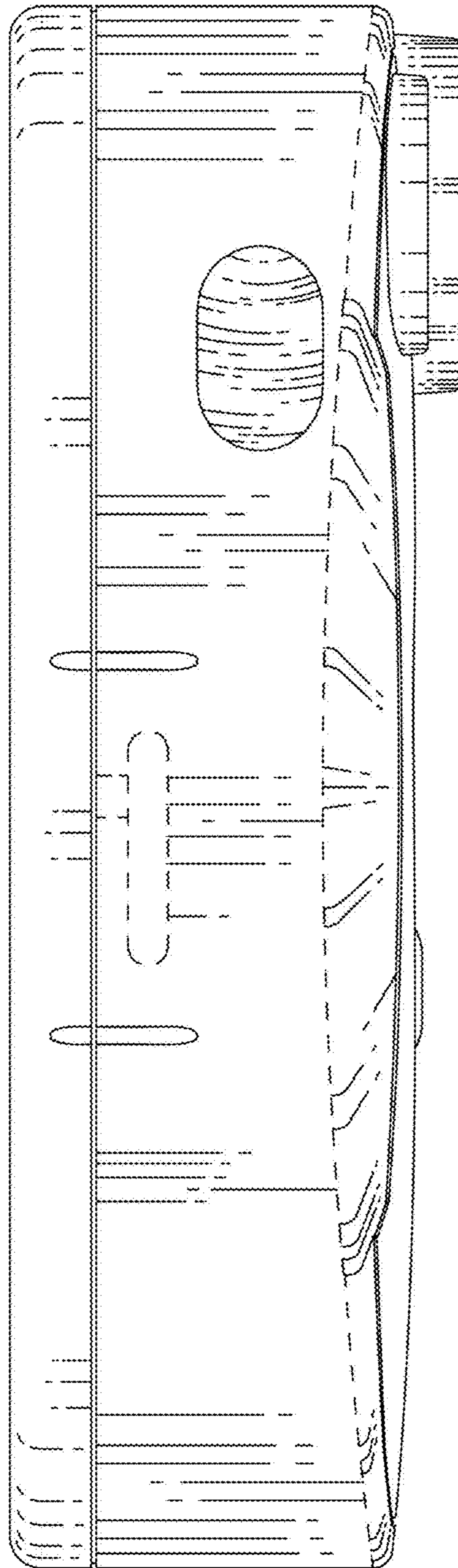


FIG. 6

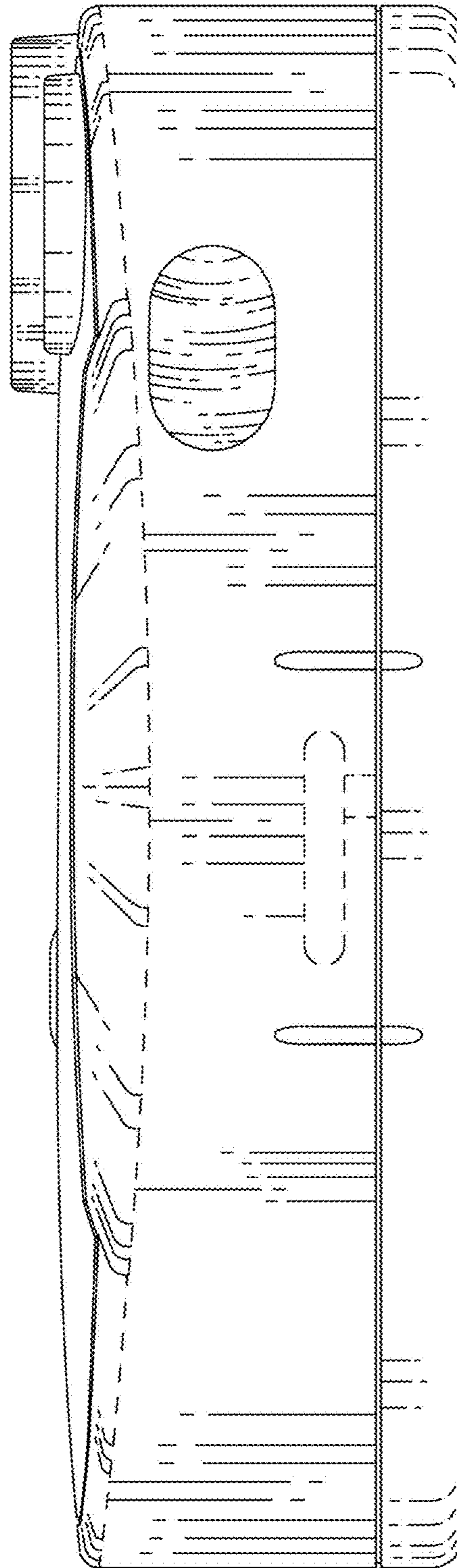


FIG. 7



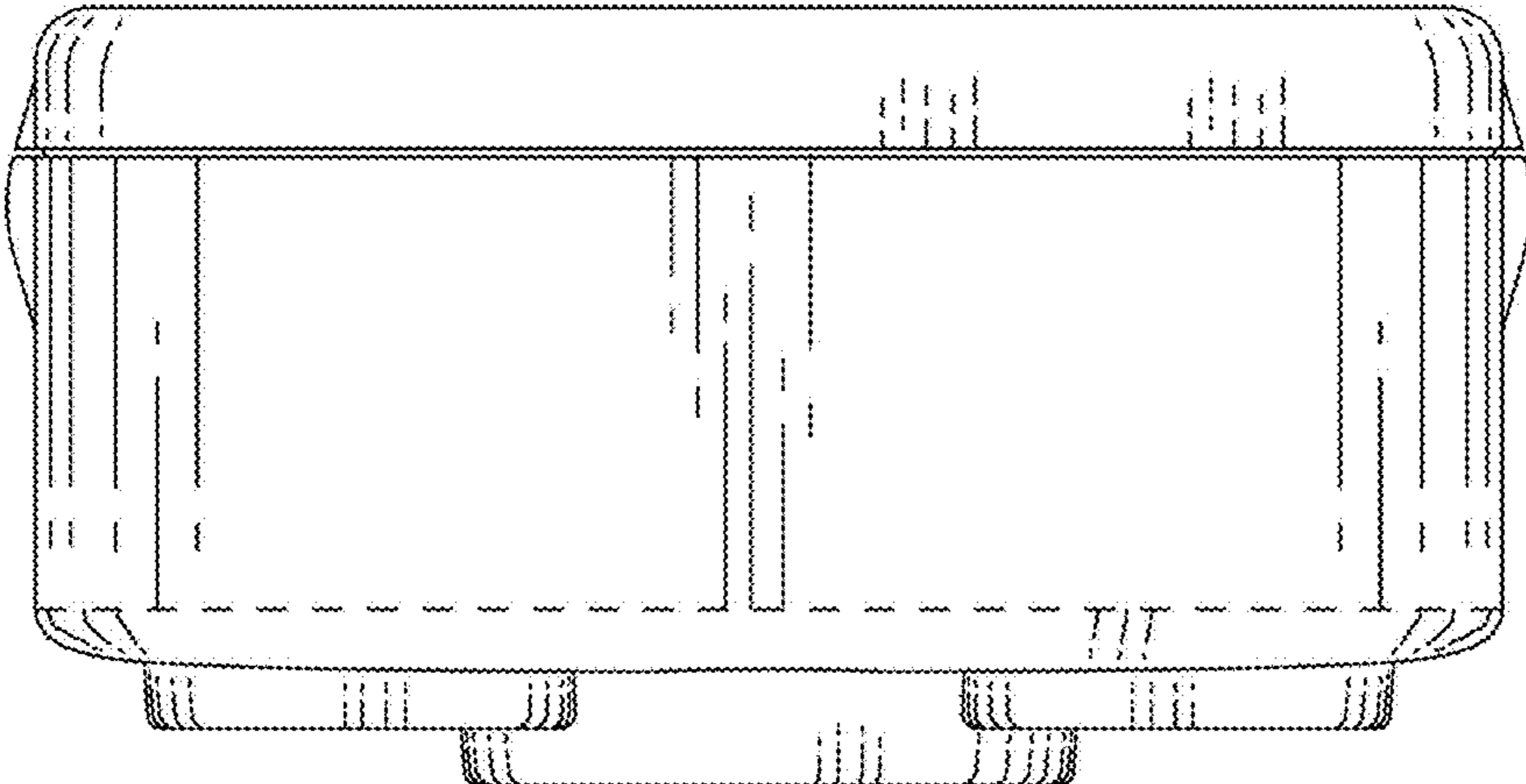


FIG. 8

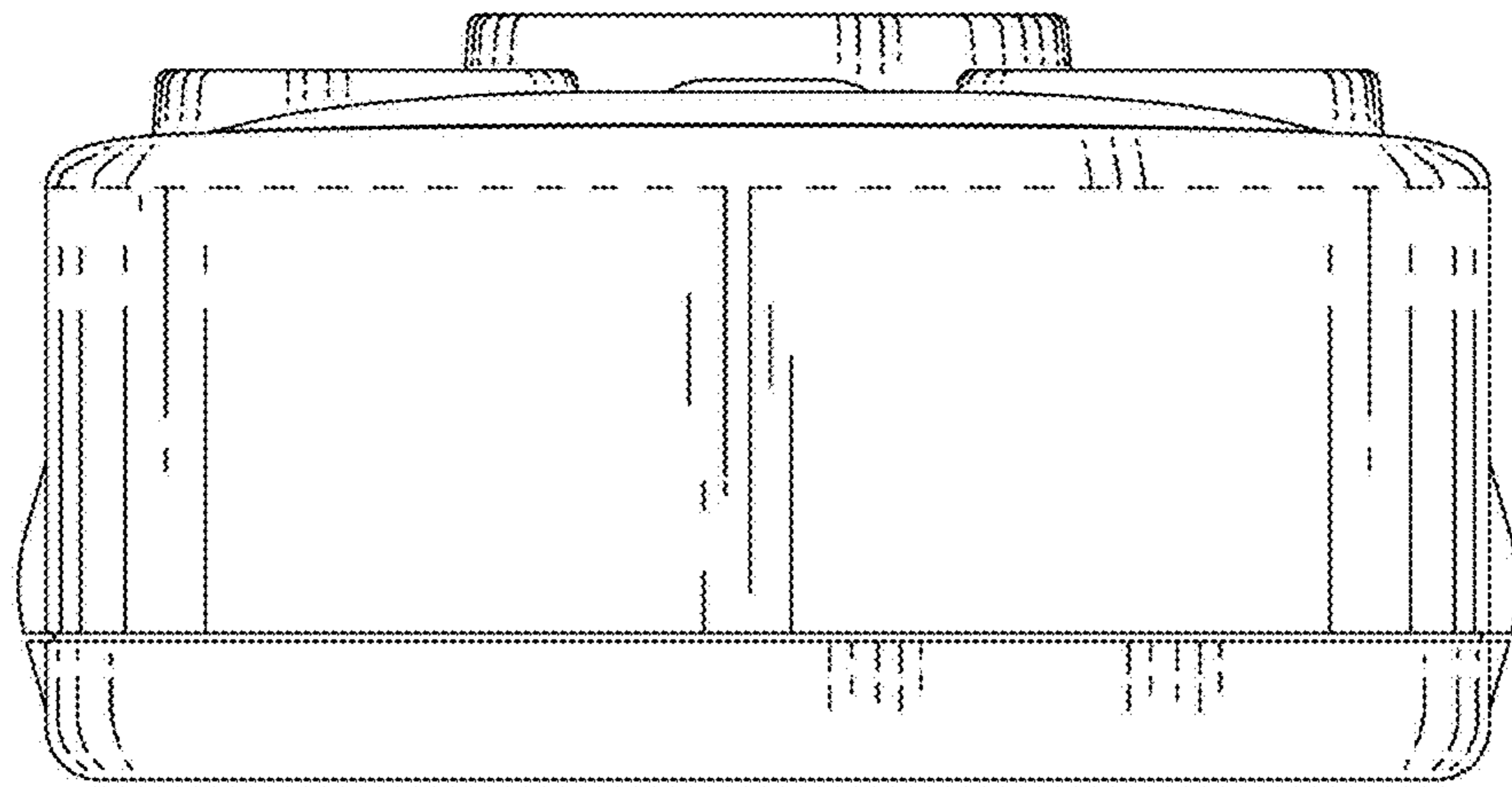


FIG. 9