



US00D848508S

(12) **United States Design Patent** (10) **Patent No.:** **US D848,508 S**
Hsu (45) **Date of Patent:** **** May 14, 2019**

(54) **CAR CAMERA RECORDER**
(71) Applicant: **CANSONIC INC.**, New Taipei (TW)
(72) Inventor: **Chao-Chih Hsu**, New Taipei (TW)
(73) Assignee: **CANSONIC INC.**, New Taipei (TW)
(**) Term: **15 Years**
(21) Appl. No.: **29/596,935**
(22) Filed: **Mar. 13, 2017**
(51) **LOC (11) Cl.** **16-01**
(52) **U.S. Cl.**
USPC **D16/218**; D16/208
(58) **Field of Classification Search**
USPC D16/200–204, 208, 218, 219;
D12/187–189, 400; 348/143, 148, 151,
348/360, 373–376; 396/419, 427–429,
396/433, 529, 535, 537–541; 340/932.2,
340/933, 937
CPC G03B 15/03; G03B 17/02; G03B 17/04;
G03B 17/48; G03B 17/56; G03B 19/04;
G08G 1/0175; H04N 5/2251; H04N
5/2252; H04N 5/2253; H04N 5/2254
See application file for complete search history.

(56) **References Cited**
U.S. PATENT DOCUMENTS
6,902,284 B2 * 6/2005 Hutzl B60R 1/008
248/479
D618,147 S * 6/2010 Bellingham D12/187
8,400,560 B1 * 3/2013 Yang B60R 11/04
348/148
D709,117 S * 7/2014 Gan D16/202

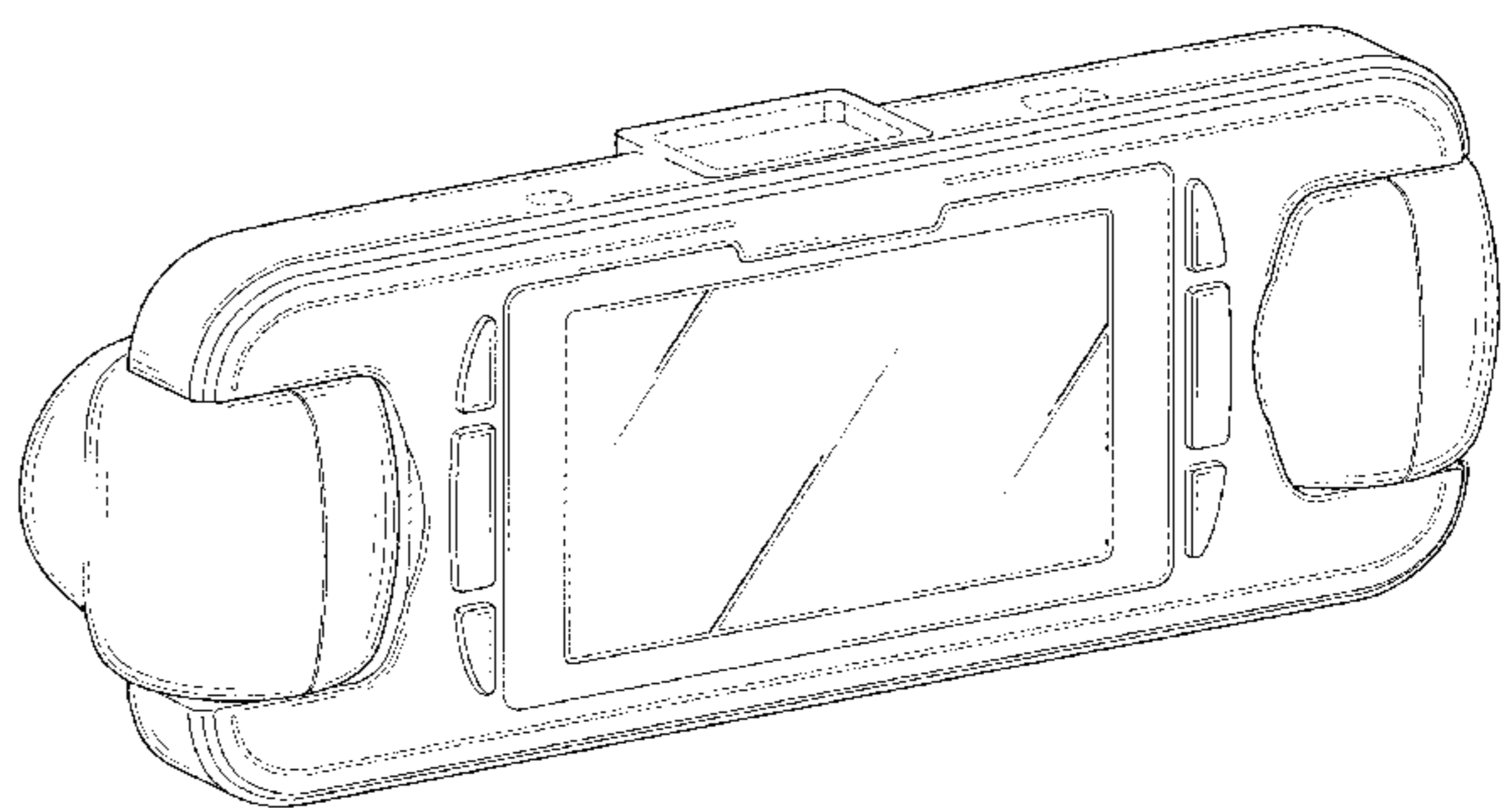
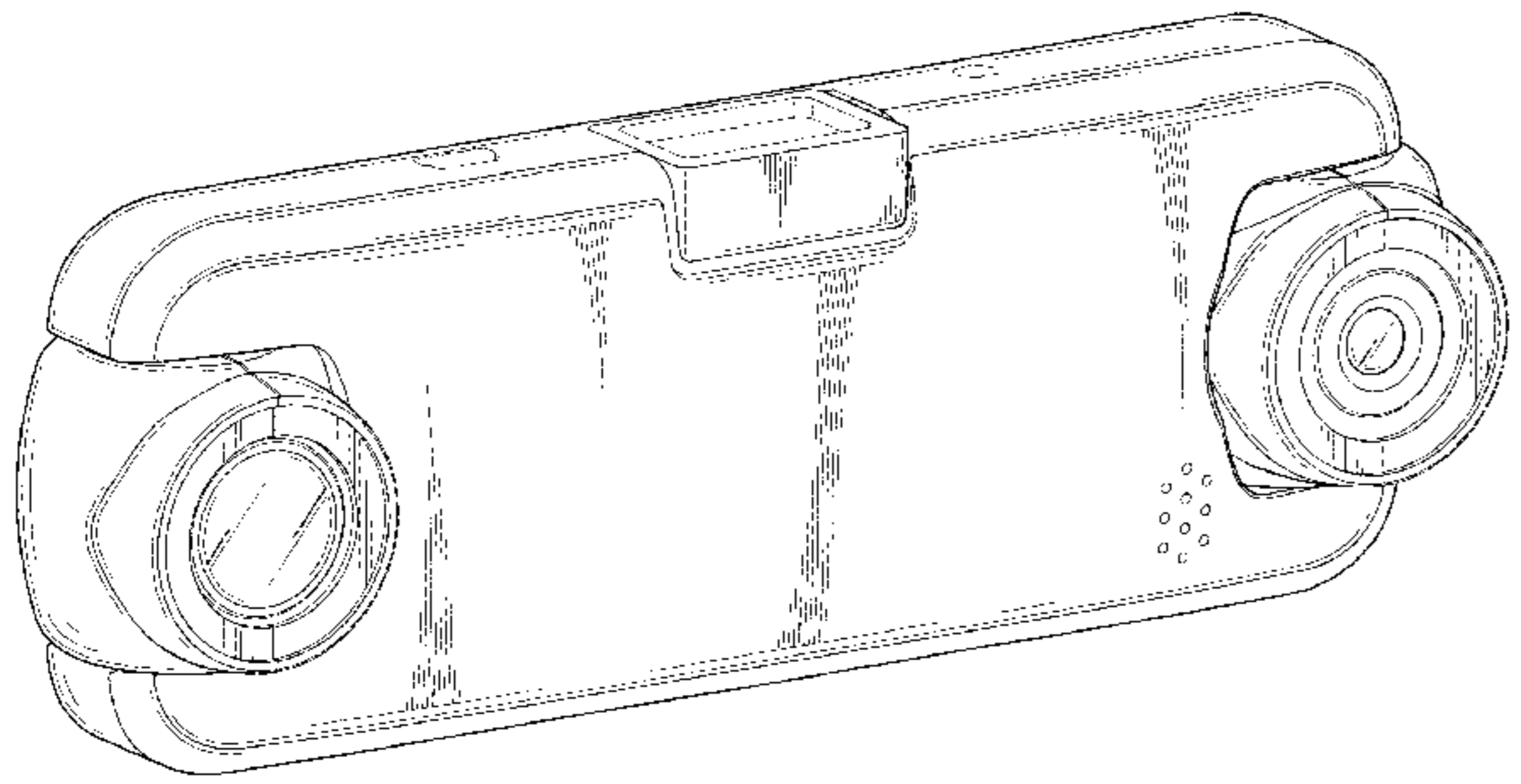
D712,952 S * 9/2014 Sumii D14/496
D744,573 S * 12/2015 Matsumiya D16/218
D745,586 S * 12/2015 Chou D16/202
D747,390 S * 1/2016 Roth D16/218
D749,162 S * 2/2016 Roth D16/218
D754,235 S * 4/2016 Fish, Jr. D16/218
2012/0327234 A1 * 12/2012 Fish, Jr. H04N 7/185
348/148
2014/0192431 A1 * 7/2014 Sloterbeek B60R 1/12
359/871

* cited by examiner
Primary Examiner — Ramzi S Almatrahi
(74) *Attorney, Agent, or Firm* — WPAT, PC

(57) **CLAIM**
The ornamental design for a car camera recorder, as shown and described.

DESCRIPTION
FIG. 1 is a front perspective view of a car camera recorder showing my new design;
FIG. 2 is a rear perspective view thereof;
FIG. 3 is a front view thereof;
FIG. 4 is a rear view thereof;
FIG. 5 is a left side view thereof;
FIG. 6 is a right side view thereof;
FIG. 7 is a top view thereof; and,
FIG. 8 is a bottom view thereof.
The broken lines depict portions of the car camera recorder in which the design is embodied that form no part of the claimed design.

1 Claim, 8 Drawing Sheets



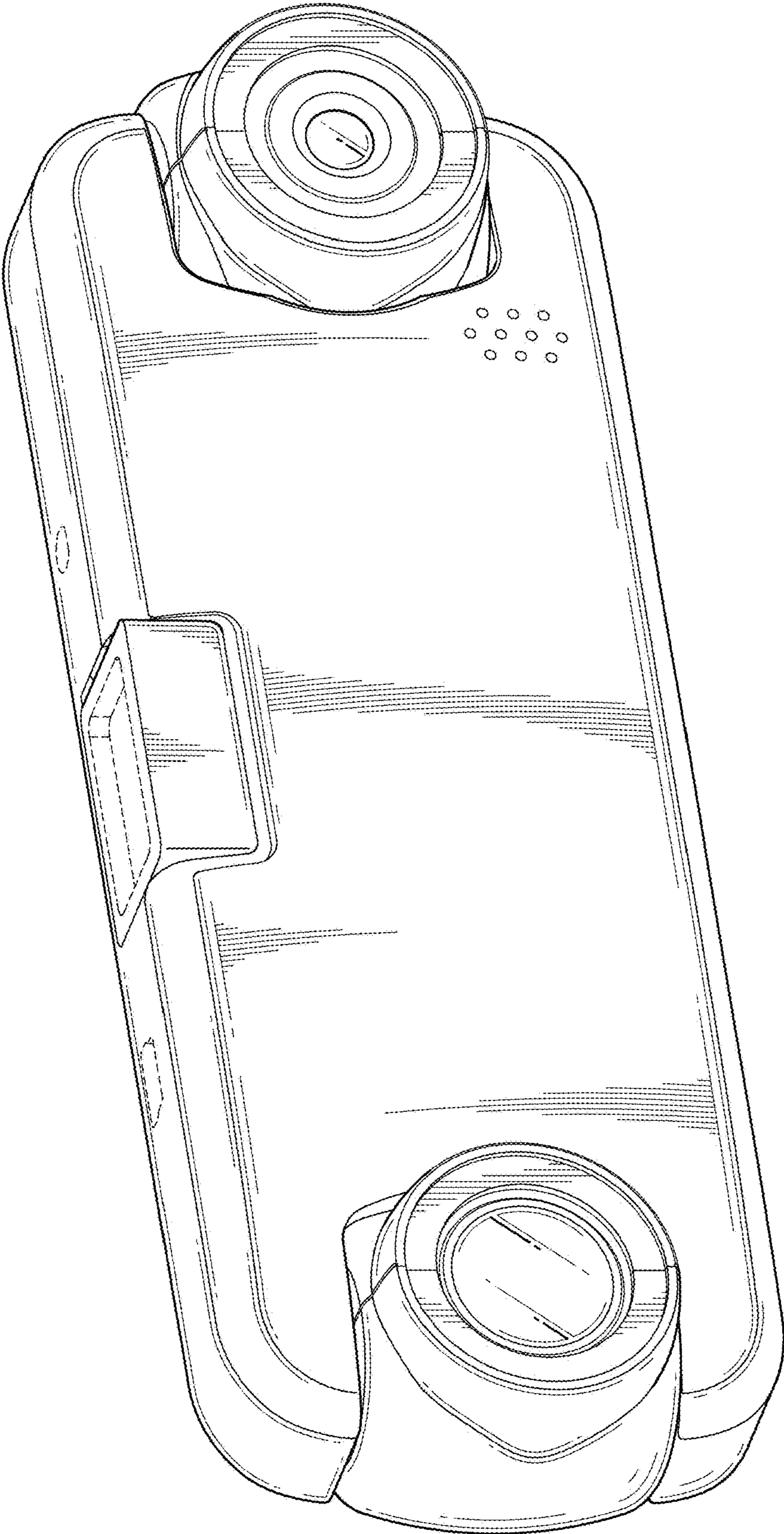


FIG. 1

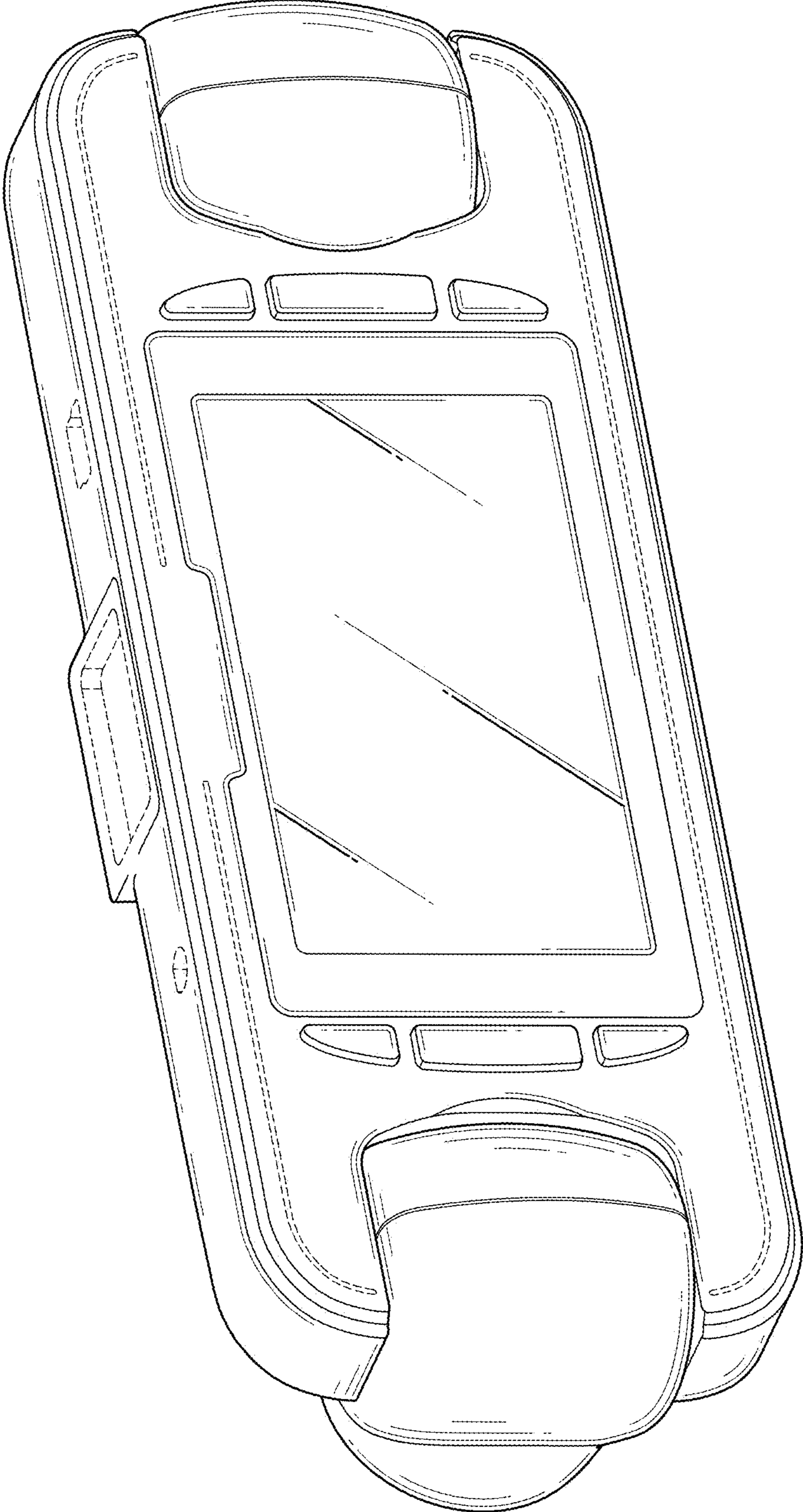


FIG. 2

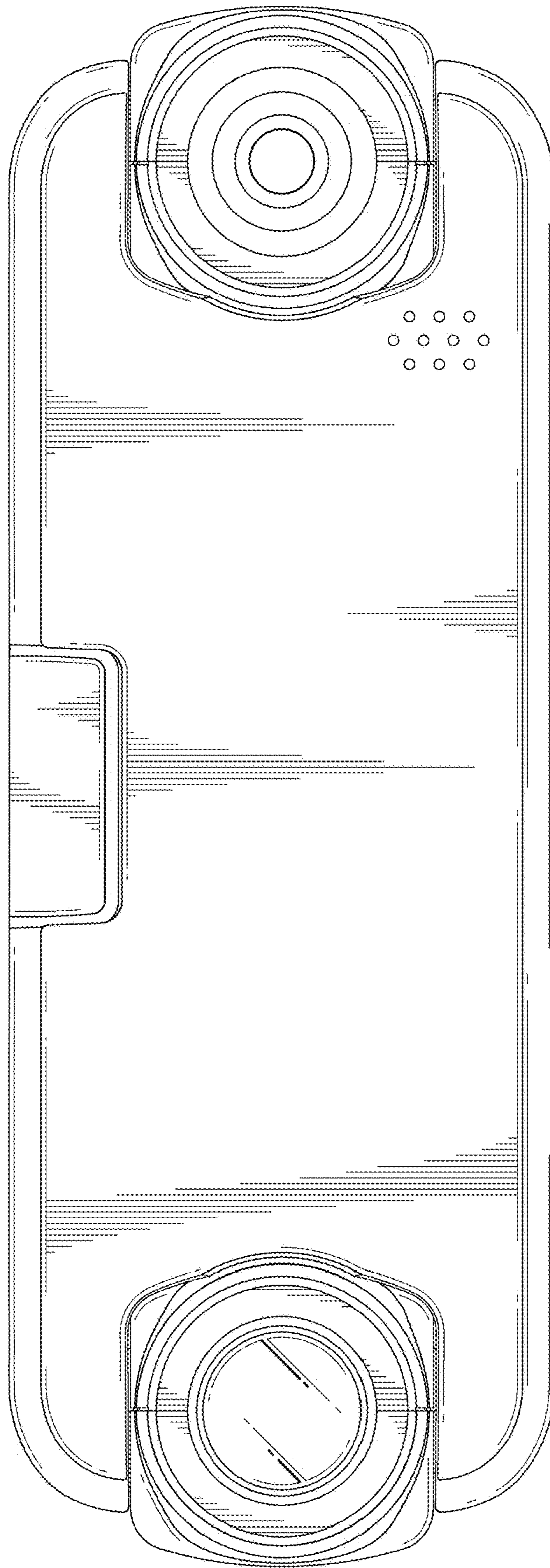


FIG. 3

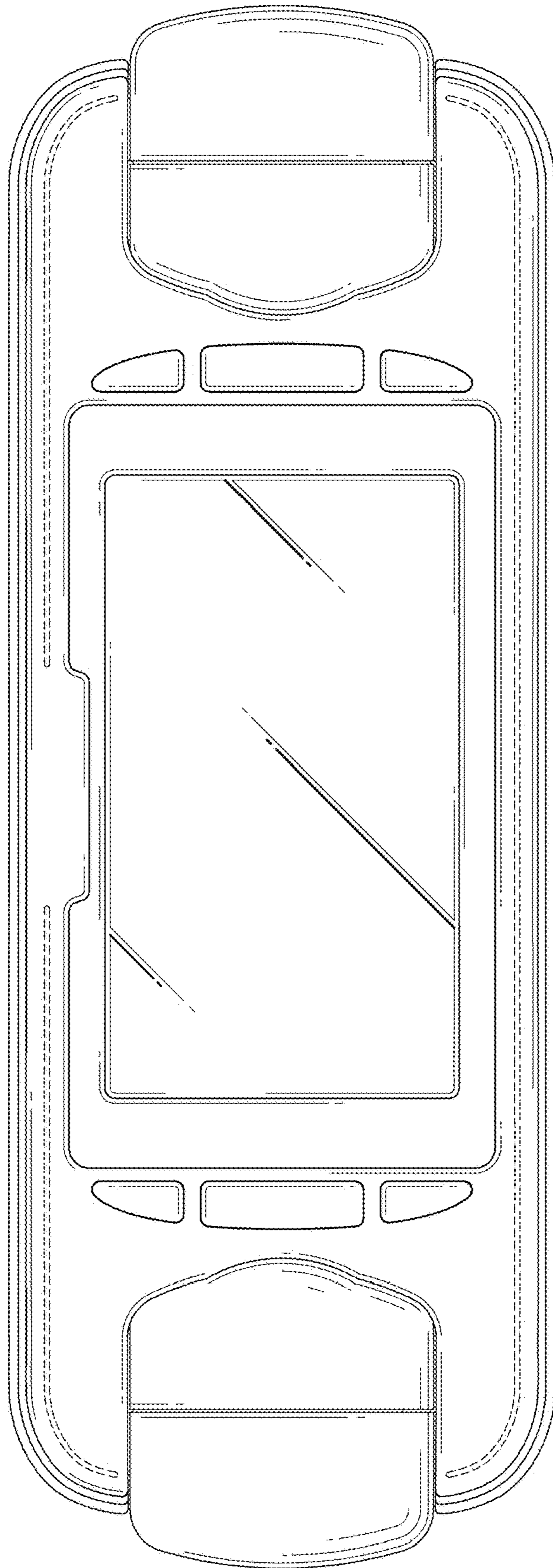


FIG. 4



FIG. 5

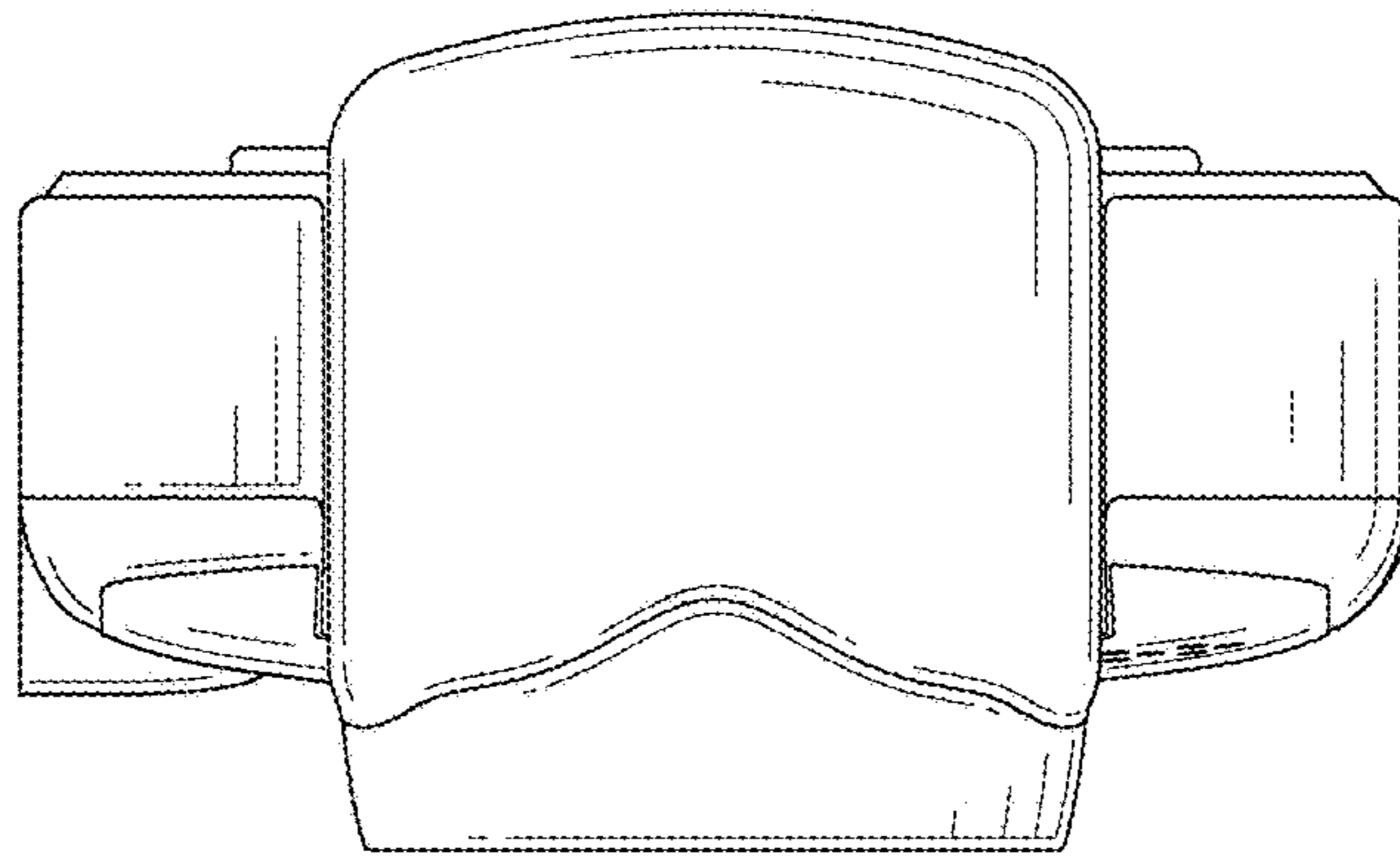


FIG. 6

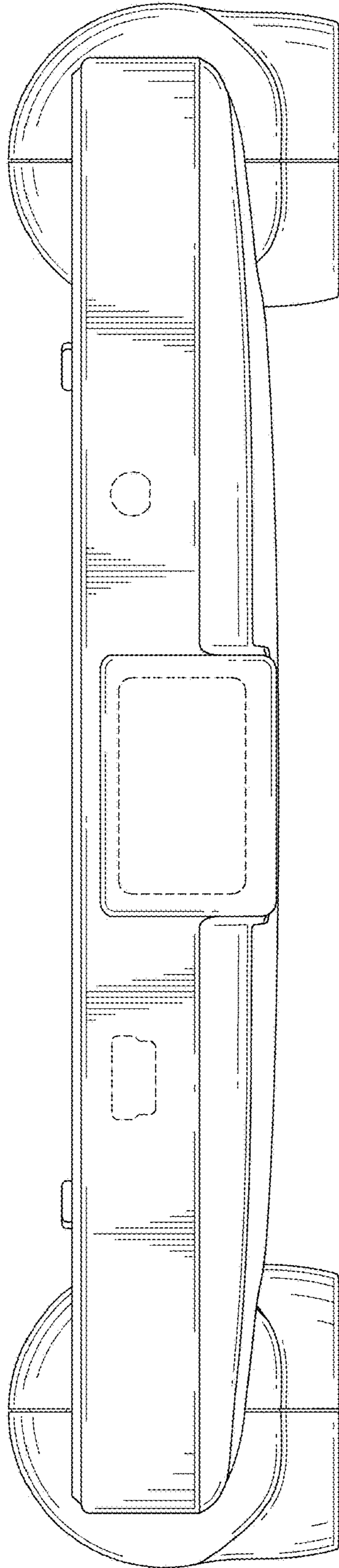


FIG. 7

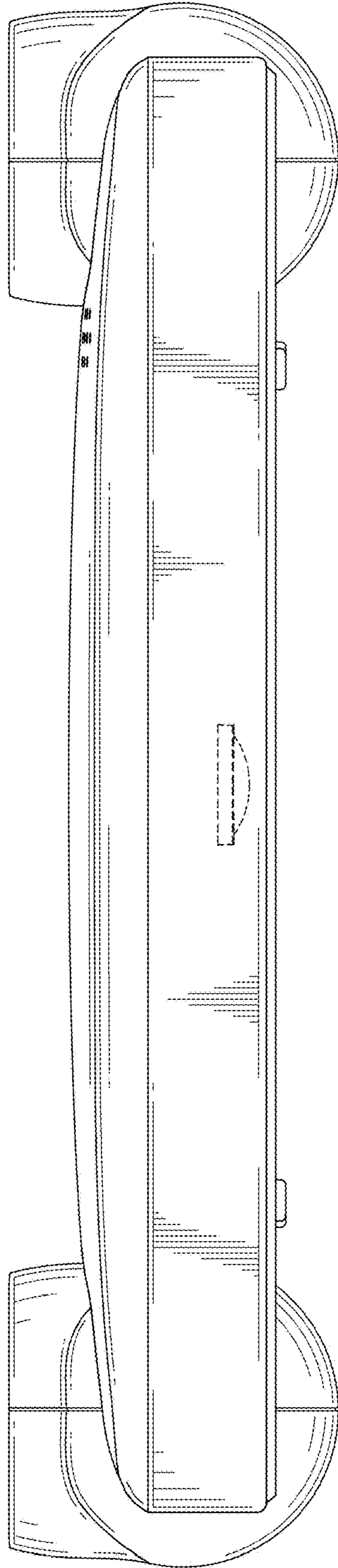


FIG. 8