



US00D848505S

(12) **United States Design Patent** (10) **Patent No.:** **US D848,505 S**
Bull et al. (45) **Date of Patent:** **** May 14, 2019**

(54) **MONITORING CAMERA**

(71) Applicant: **Axis AB**, Lund (SE)

(72) Inventors: **David Bull**, Lund (SE); **Daniel Ahman**, Lomma (SE); **Morten Bergstrom**, Lund (SE); **Jan Ryzak**, Malmo (SE); **Mathias Walter**, Arlov (SE); **John Akesson**, Lund (SE)

(73) Assignee: **AXIS AB**, Lund (SE)

(**) Term: **15 Years**

(21) Appl. No.: **29/647,044**

(22) Filed: **May 9, 2018**

Related U.S. Application Data

(62) Division of application No. 29/600,708, filed on Apr. 14, 2017.

(30) **Foreign Application Priority Data**

Oct. 17, 2016 (EM) 003421262

(51) **LOC (11) Cl.** **16-01**

(52) **U.S. Cl.**
USPC **D16/203**

(58) **Field of Classification Search**

USPC D16/200, 202–208, 218, 219, 242;
348/143, 148, 151, 373–376; 396/419,
396/427, 535, 539–541; 248/176.1, 187.1
CPC G03B 17/02; G03B 19/04; G03B 17/56;
G03B 17/04; G03B 15/03; H04N 5/2251;
H04N 5/2252; H04N 5/2253; H04N
5/2254; H04N 7/181; H04N 7/183; H04N
7/18

See application file for complete search history.

(56) **References Cited**

U.S. PATENT DOCUMENTS

D409,641 S 5/1999 Uehara
D540,360 S 4/2007 Yamakawa

D612,410 S 3/2010 Deurwaarder
D638,871 S * 5/2011 Bergstrom D16/203
D642,607 S 8/2011 Bergstrom et al.
D643,454 S 8/2011 Zaliauskas et al.
D661,719 S * 6/2012 Katori D16/203
D666,660 S 9/2012 Amit et al.

(Continued)

FOREIGN PATENT DOCUMENTS

EM 002655027-0001 3/2015
EM 002655027-0002 3/2015

OTHER PUBLICATIONS

http://www.axis.com/files/image_gallery/ph_m103_left.jpg. (Mar. 9, 2015).

(Continued)

Primary Examiner — Ramzi S Almatrahi

(74) *Attorney, Agent, or Firm* — Volpe and Koenig, P.C.

(57) **CLAIM**

We claim the ornamental design for a monitoring camera, as shown and described.

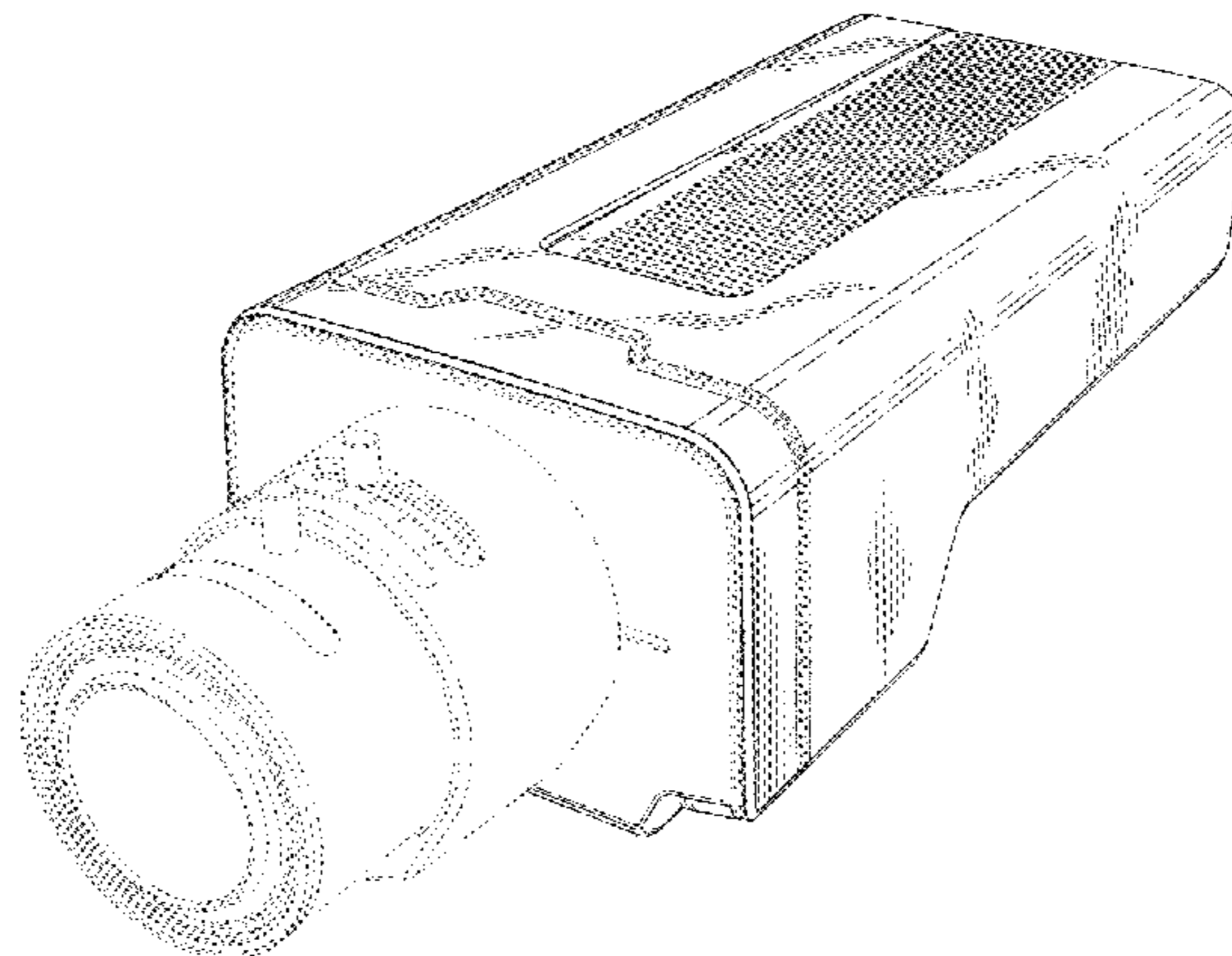
DESCRIPTION

FIG. 1 is a perspective view of a monitoring camera in accordance with our design;
FIG. 2 is a top plan view thereof;
FIG. 3 is a right side elevational view thereof;
FIG. 4 is a left side elevational view thereof;
FIG. 5 is a bottom plan view thereof;
FIG. 6 is a front elevational view thereof; and,
FIG. 7 is a rear elevational view thereof.

The broken lines depict portions of the monitoring camera in which the design is embodied that form no part of the claimed design.

The dot-dot-dash boundary lines denote the boundary of the claim and form no part of the claimed design.

1 Claim, 4 Drawing Sheets



(56)

References Cited

U.S. PATENT DOCUMENTS

D672,382	S	*	12/2012	Zeinoun	D16/203
D684,619	S		6/2013	Chapple et al.	
D691,187	S		10/2013	Seo et al.	
D711,953	S		8/2014	Isozaki	
D739,888	S		9/2015	Liang	
D741,933	S		10/2015	Bergstrom et al.	
D744,022	S		11/2015	Petty et al.	
D748,710	S		2/2016	Bergstrom et al.	
D798,362	S	*	9/2017	Holbrook	D16/203
D809,046	S	*	1/2018	Hatcher	D16/202
D812,670	S		3/2018	Andersson et al.	
D815,176	S	*	4/2018	Ahman	D16/203
D823,369	S	*	7/2018	Wang	D16/203
D826,305	S		8/2018	Ahman et al.	
D827,013	S		8/2018	Ahman et al.	
D827,691	S		9/2018	Zhong	
D827,692	S		9/2018	Ahman et al.	
2011/0052179	A1		3/2011	Jung et al.	

OTHER PUBLICATIONS

http://www.axis.com/files/image_gallery/ph_p1311_leftangle_1012.jpg. (Mar. 9, 2015).

http://www.axis.com/files/image_gallery/q1614wall_angle_left_1310_hi.jpg. (Mar. 9, 2015).

http://www.axis.com/files/image_gallery/ph_q1755_left.jpg. (Mar. 9, 2015).

http://www.axis.com/files/image_gallery/140_bjc/ph_m143_m1144_left.jpg. (Mar. 9, 2015).

* cited by examiner

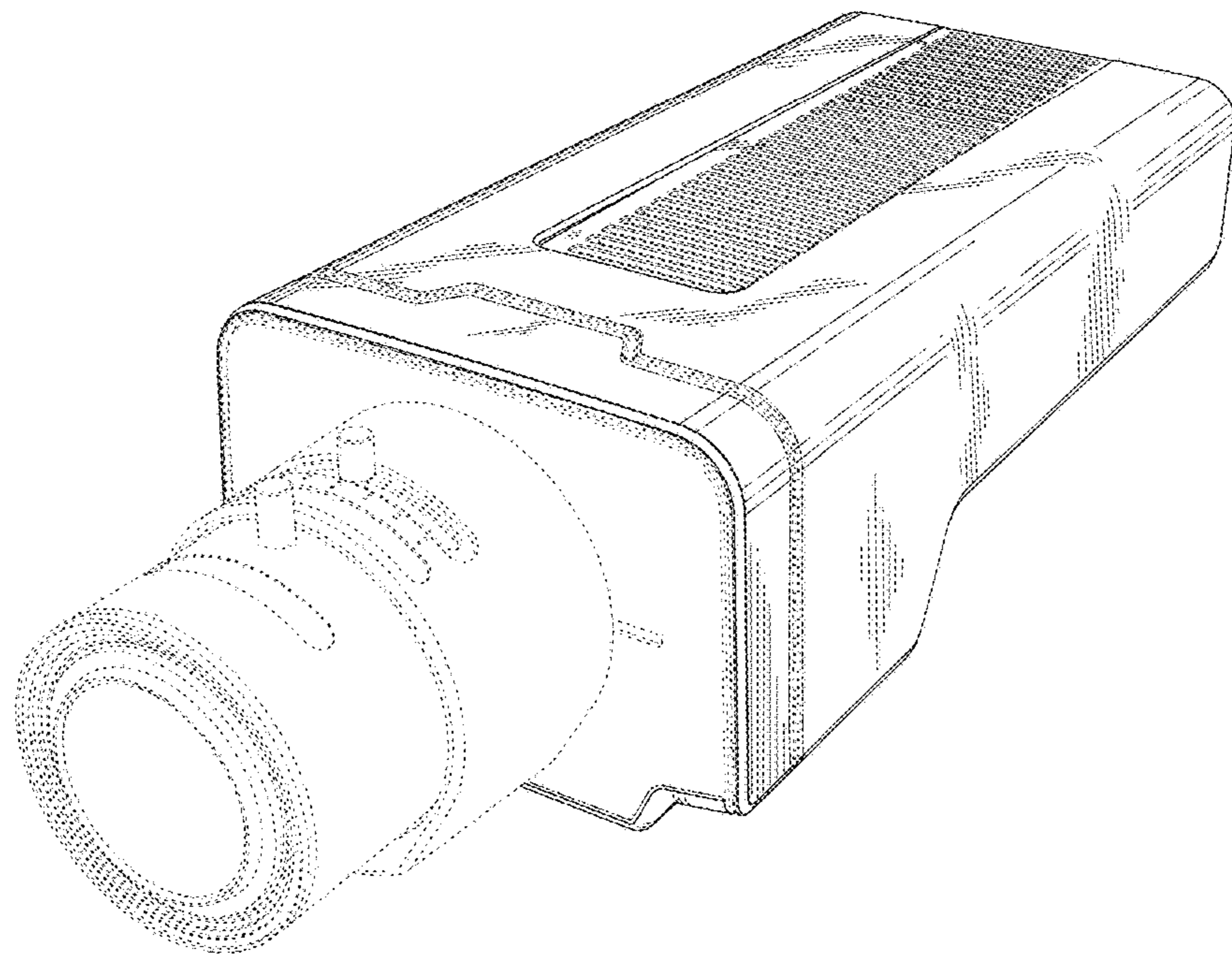


Fig. 1

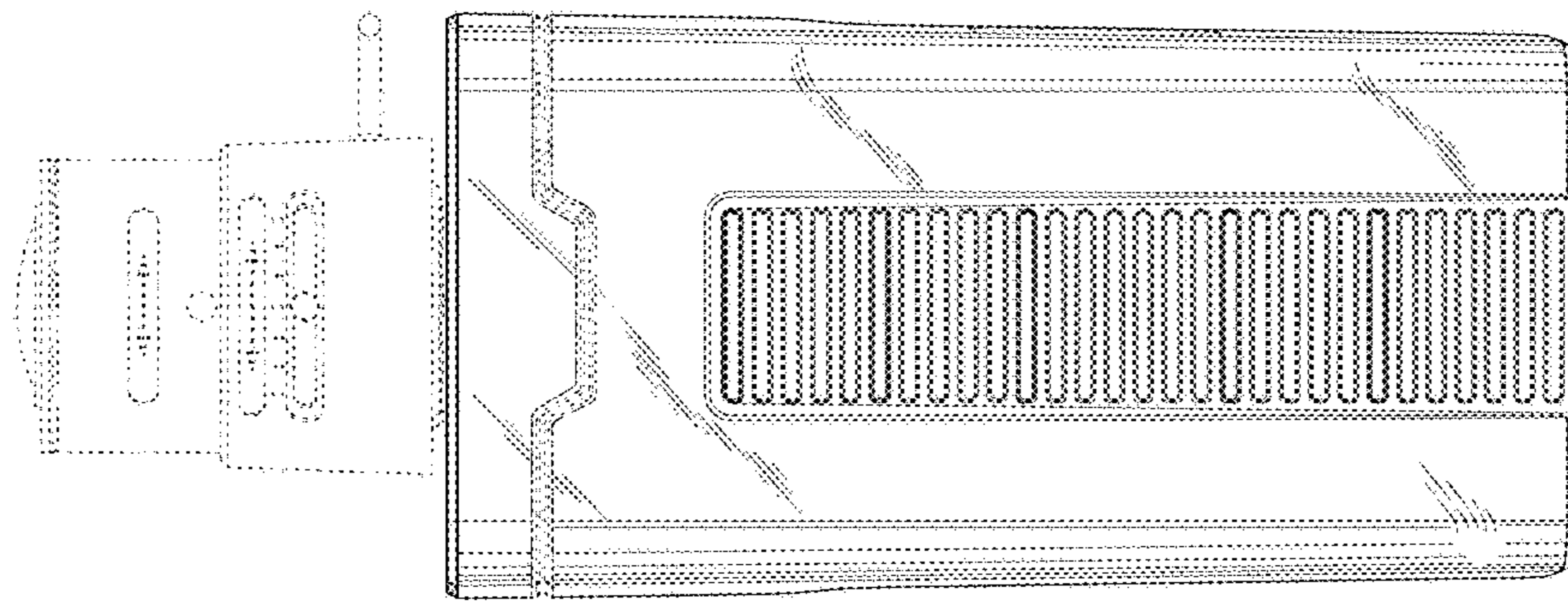


Fig. 2

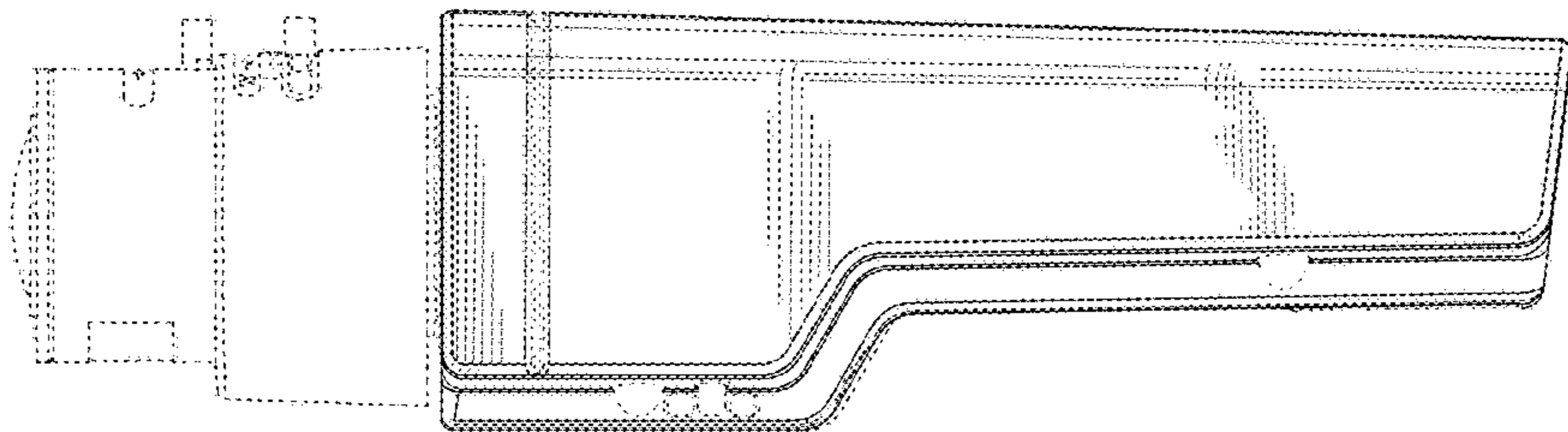


Fig. 3

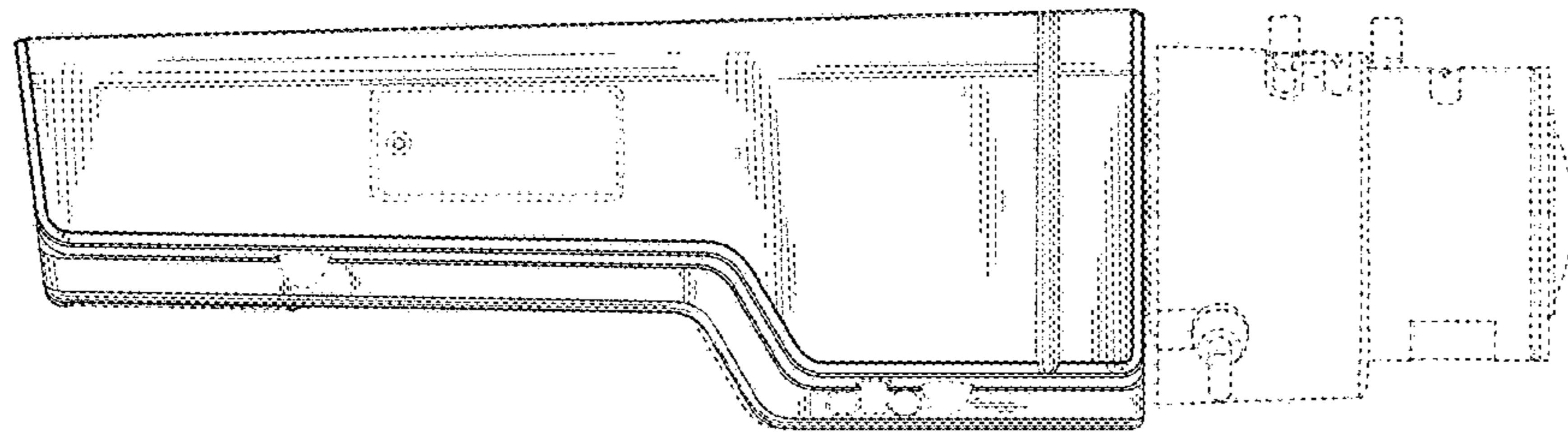


Fig. 4

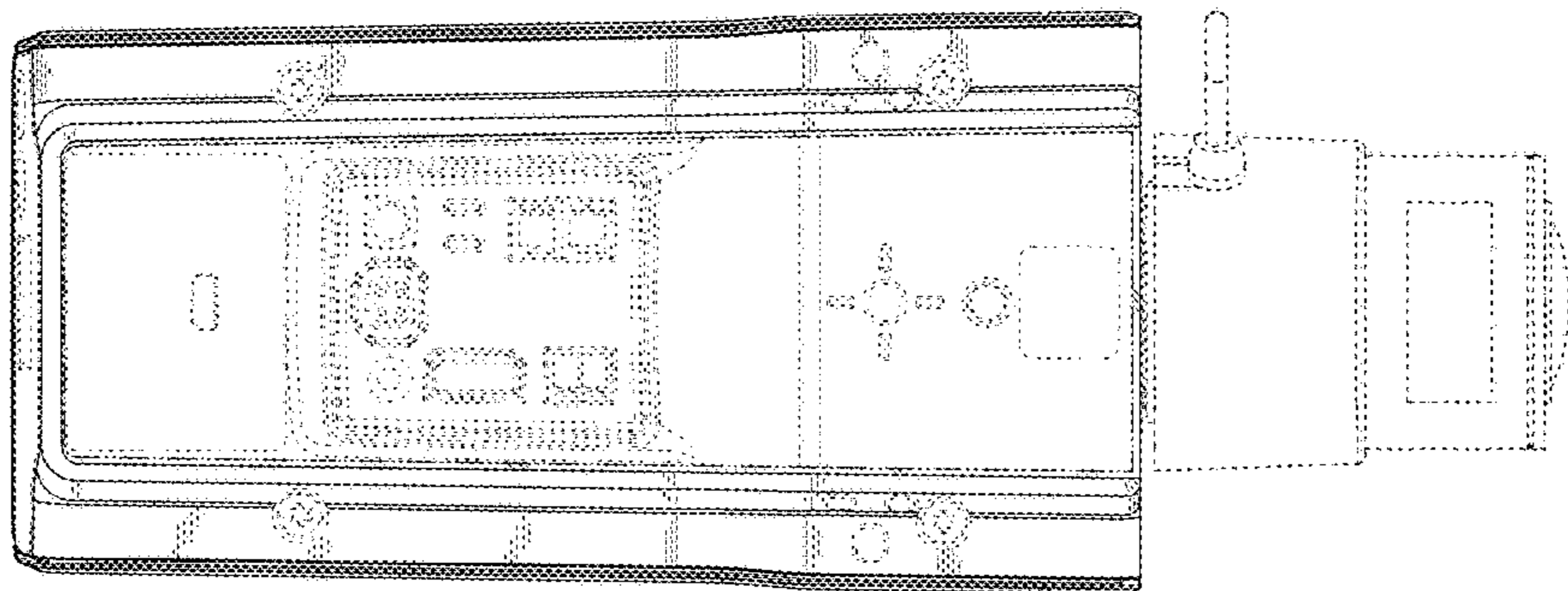


Fig. 5

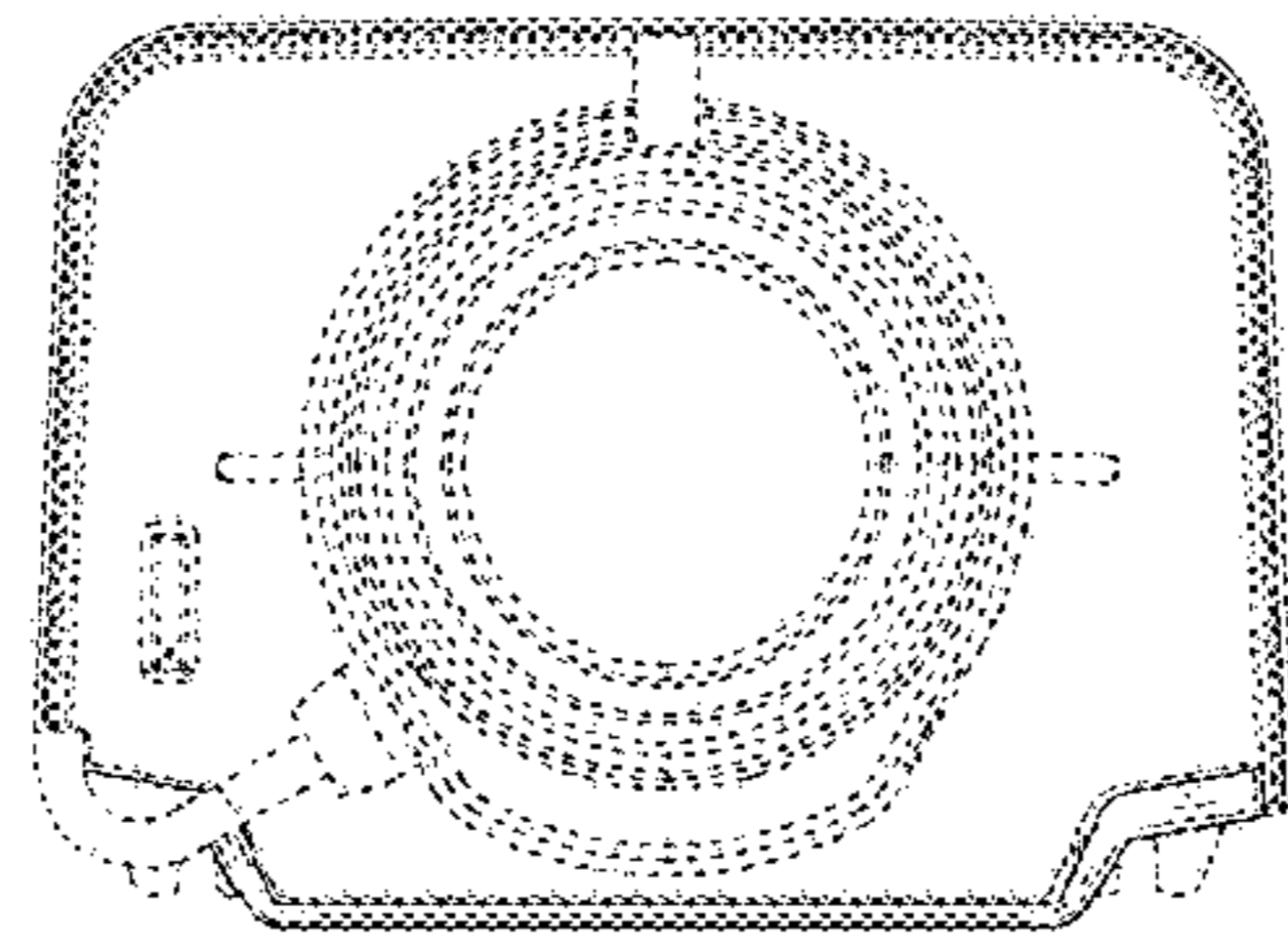


Fig. 6

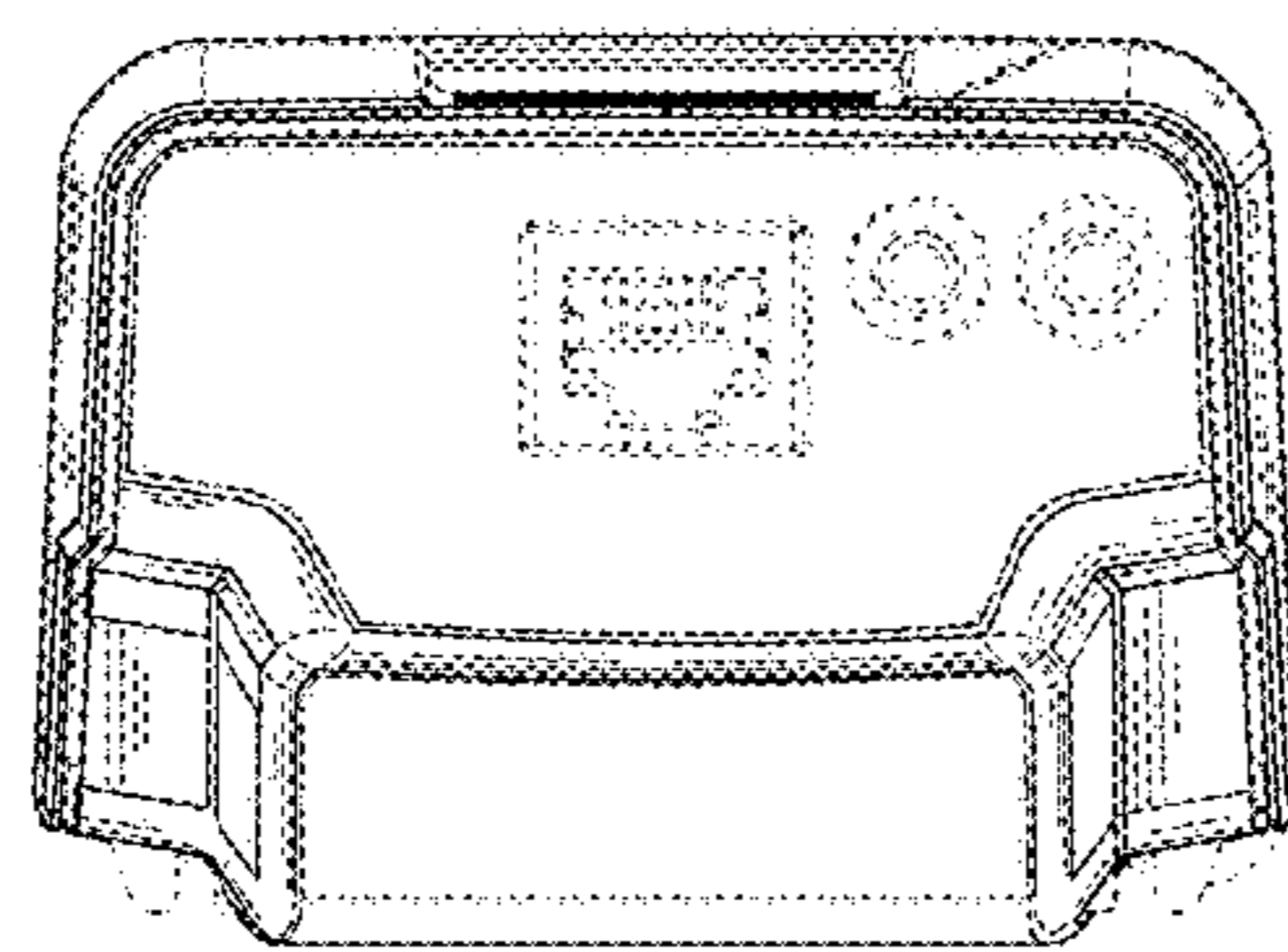


Fig. 7