

US00D848504S

(12) **United States Design Patent** (10) **Patent No.:** **US D848,504 S**  
**Ahman et al.** (45) **Date of Patent:** **\*\* May 14, 2019**

(54) **MONITORING CAMERA**

(56) **References Cited**

(71) Applicant: **Axis AB**, Lund (SE)

U.S. PATENT DOCUMENTS

(72) Inventors: **Daniel Ahman**, Lomma (SE); **Morten Bergstrom**, Lund (SE); **Mathias Walter**, Arlov (SE); **Mariano Vozzi**, Malmo (SE); **Alexander Rosenkvist**, Sjobo (SE); **David Fagerkvist**, Bunkeflostrand (SE)

D481,407 S 10/2003 Alessio  
D497,928 S 11/2004 Cheng-Yuan  
D558,250 S \* 12/2007 Hsia ..... D16/203  
D578,560 S \* 10/2008 Hsia ..... D16/203

(Continued)

(73) Assignee: **AXIS AB**, Lund (SE)

FOREIGN PATENT DOCUMENTS

(\*\*) Term: **15 Years**

EM 0013236530001 4/2012  
EM 0013584690001 1/2013  
TW 0158581 1/2014

(21) Appl. No.: **29/621,170**

OTHER PUBLICATIONS

(22) Filed: **Oct. 5, 2017**

AXIS Communications, Press Release, AXIS introduces new series of seven cost-effective and compact bullet-style cameras for any environment, Lund, Apr. 1, 2014, 2 pages.

(Continued)

**Related U.S. Application Data**

(62) Division of application No. 29/583,372, filed on Nov. 4, 2016.

*Primary Examiner* — Ramzi S Almatrahi

(74) *Attorney, Agent, or Firm* — Volpe and Koenig, P.C.

(30) **Foreign Application Priority Data**

May 4, 2016 (EM) ..... 003110238

(57) **CLAIM**

The ornamental design for a monitoring camera, as shown and described.

(51) **LOC (11) Cl.** ..... **16-01**

**DESCRIPTION**

(52) **U.S. Cl.**  
USPC ..... **D16/203**; D16/219

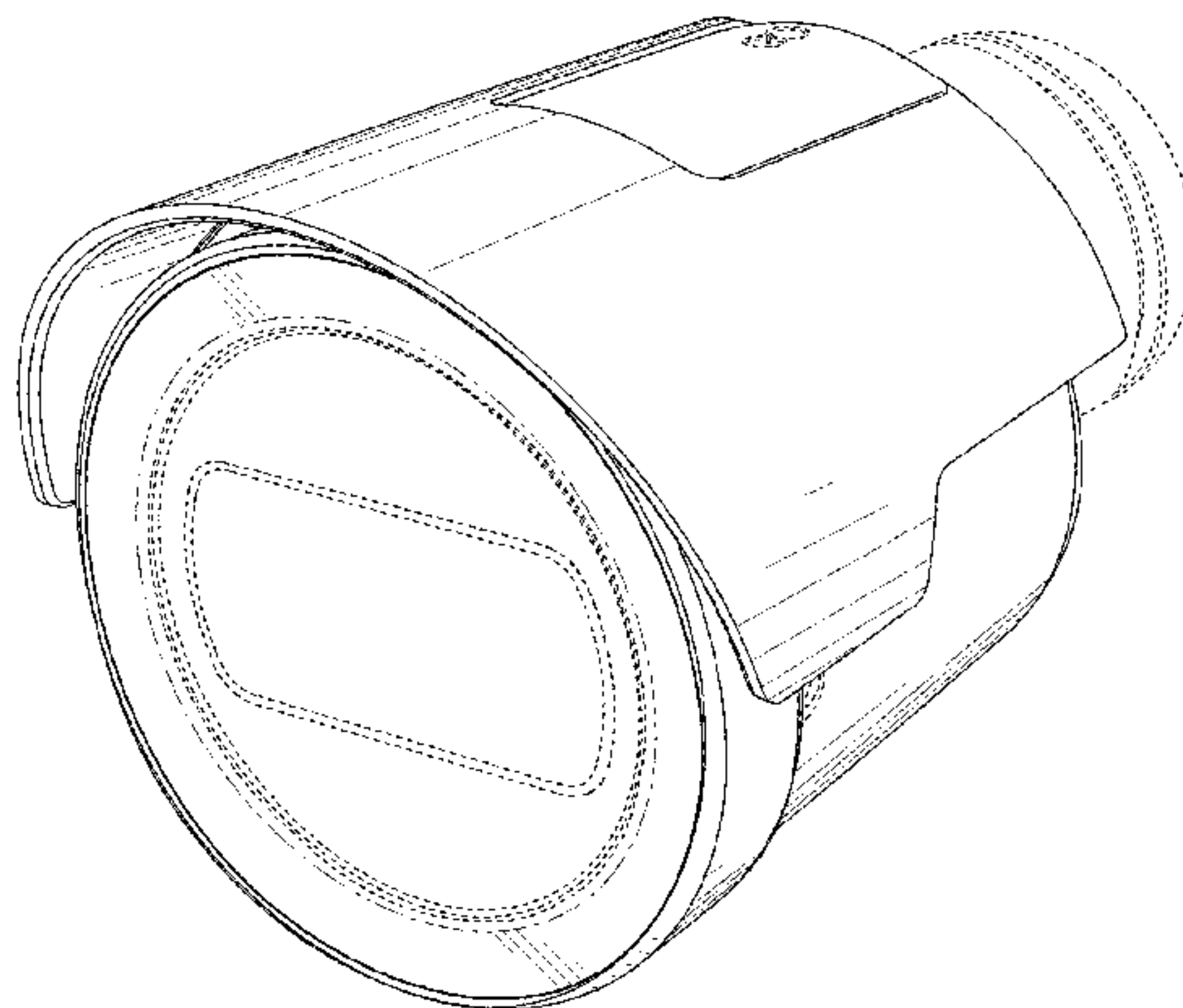
(58) **Field of Classification Search**  
USPC ..... D16/200, 202–206, 218, 219, 242;  
348/143, 148, 151, 373–376; 396/419,  
396/427, 535, 539–541  
CPC ..... G03B 17/02; G03B 19/04; G03B 17/56;  
G03B 17/04; G03B 15/03; H04N 5/2251;  
H04N 5/2252; H04N 5/2253; H04N  
5/2254; H04N 7/181; H04N 7/183; H04N  
7/18; G08B 13/1963; G08B 13/19619;  
G08B 13/19632; F16M 11/04; F16M  
13/00

FIG. 1 is a perspective view of a monitoring camera in accordance with our design;  
FIG. 2 is a right side elevational view thereof;  
FIG. 3 is a left side elevational view thereof;  
FIG. 4 is a top plan view thereof;  
FIG. 5 is a bottom plan thereof;  
FIG. 6 is a front elevational view thereof; and,  
FIG. 7 is a rear elevational view thereof.

The broken lines depict portions of the monitoring camera in which the design is embodied that form no part of the claimed design. The dot-dash broken lines adjacent to the shaded areas represent the bounds of the claimed design.

See application file for complete search history.

**1 Claim, 5 Drawing Sheets**



(56)

**References Cited**

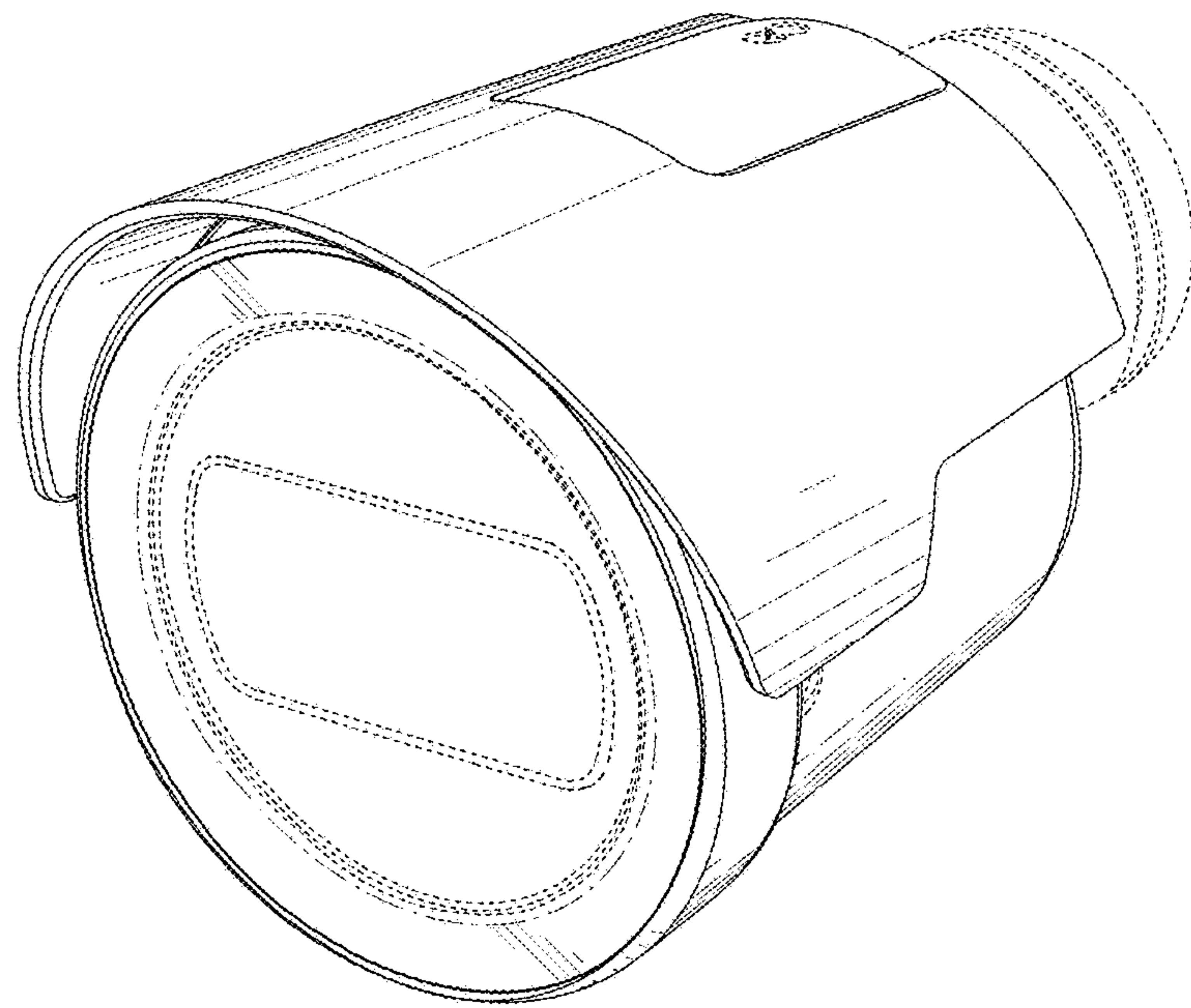
U.S. PATENT DOCUMENTS

D634,345	S	3/2011	Kim	
D634,347	S	3/2011	Park	
D634,767	S *	3/2011	Ko .....	D16/203
D634,768	S	3/2011	Ko	
D635,172	S	3/2011	Ko	
D643,453	S	8/2011	Ham	
D691,187	S	10/2013	Seo et al.	
D702,274	S	4/2014	Qian et al.	
D721,756	S	1/2015	Hallstrom et al.	
D730,420	S *	5/2015	Janssen .....	D16/200
D731,574	S	6/2015	Hallstrom et al.	
D753,207	S *	4/2016	Katori .....	D16/203
D753,751	S	4/2016	Moller Lewin et al.	
D777,817	S *	1/2017	Holbrook .....	D16/203
D787,581	S *	5/2017	Moller-Lewin .....	D16/203
D795,942	S *	8/2017	Mitchell .....	D16/203
D795,943	S *	8/2017	Mitchell .....	D16/203
2006/0077285	A1	4/2006	Cheng	
2009/0284596	A1 *	11/2009	Lin .....	H04N 5/2252 348/143

OTHER PUBLICATIONS

AXIS Communications, AXIS P1405-E Network Camera, Compact and cost-effective HDTV Surveillance, 2014-2015, 2 pages.

\* cited by examiner



*Fig. 1*

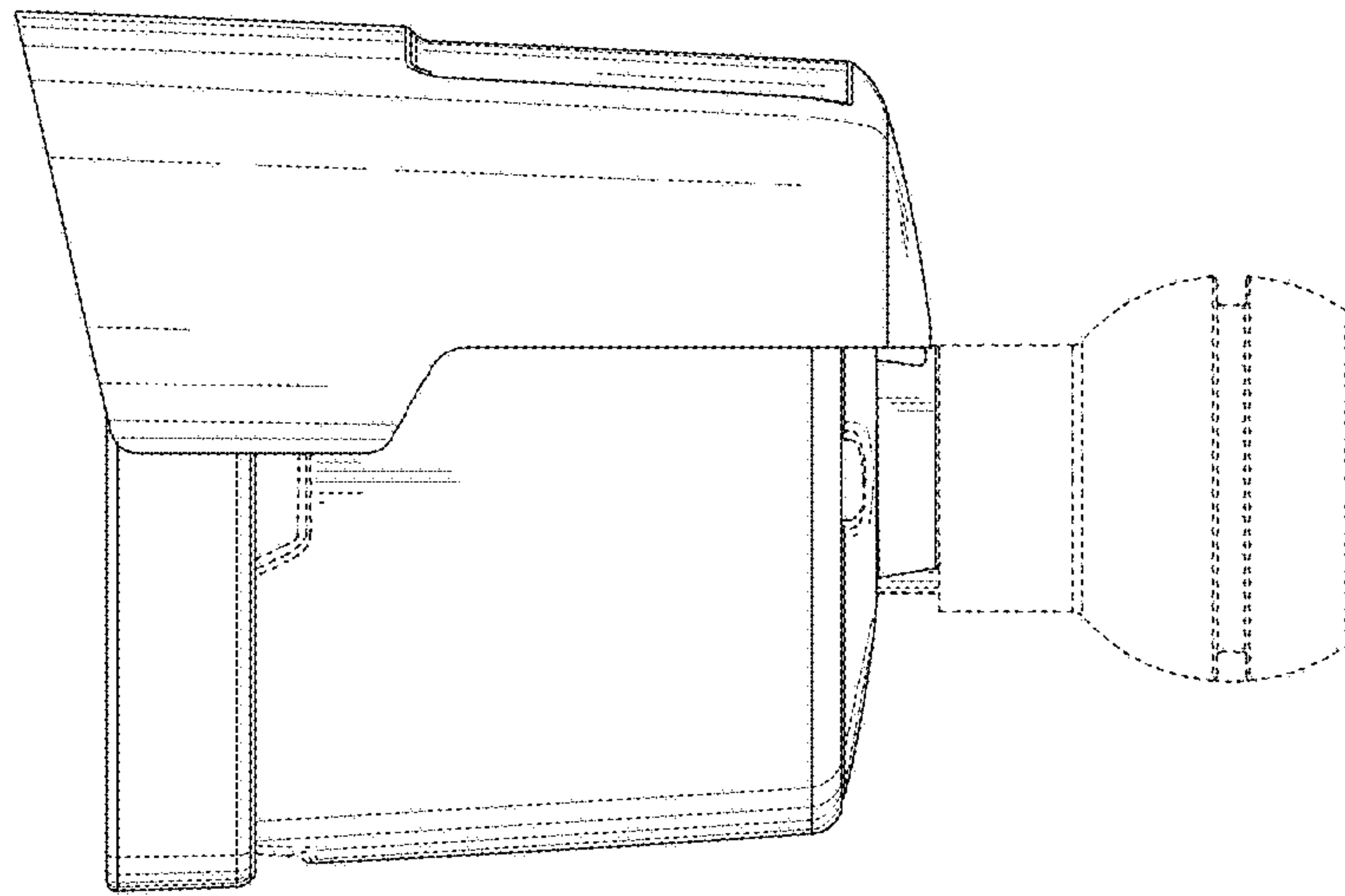


Fig. 2

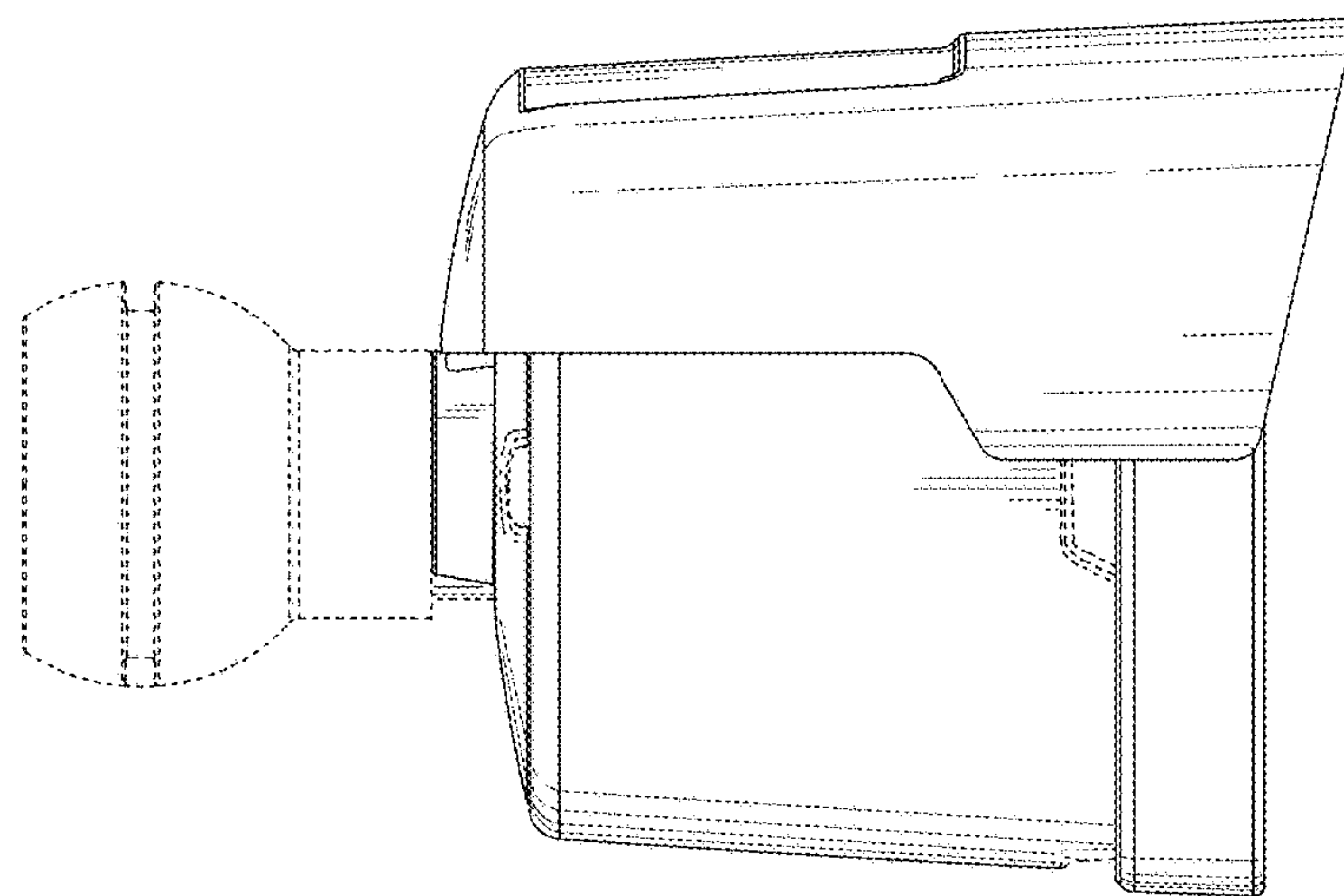
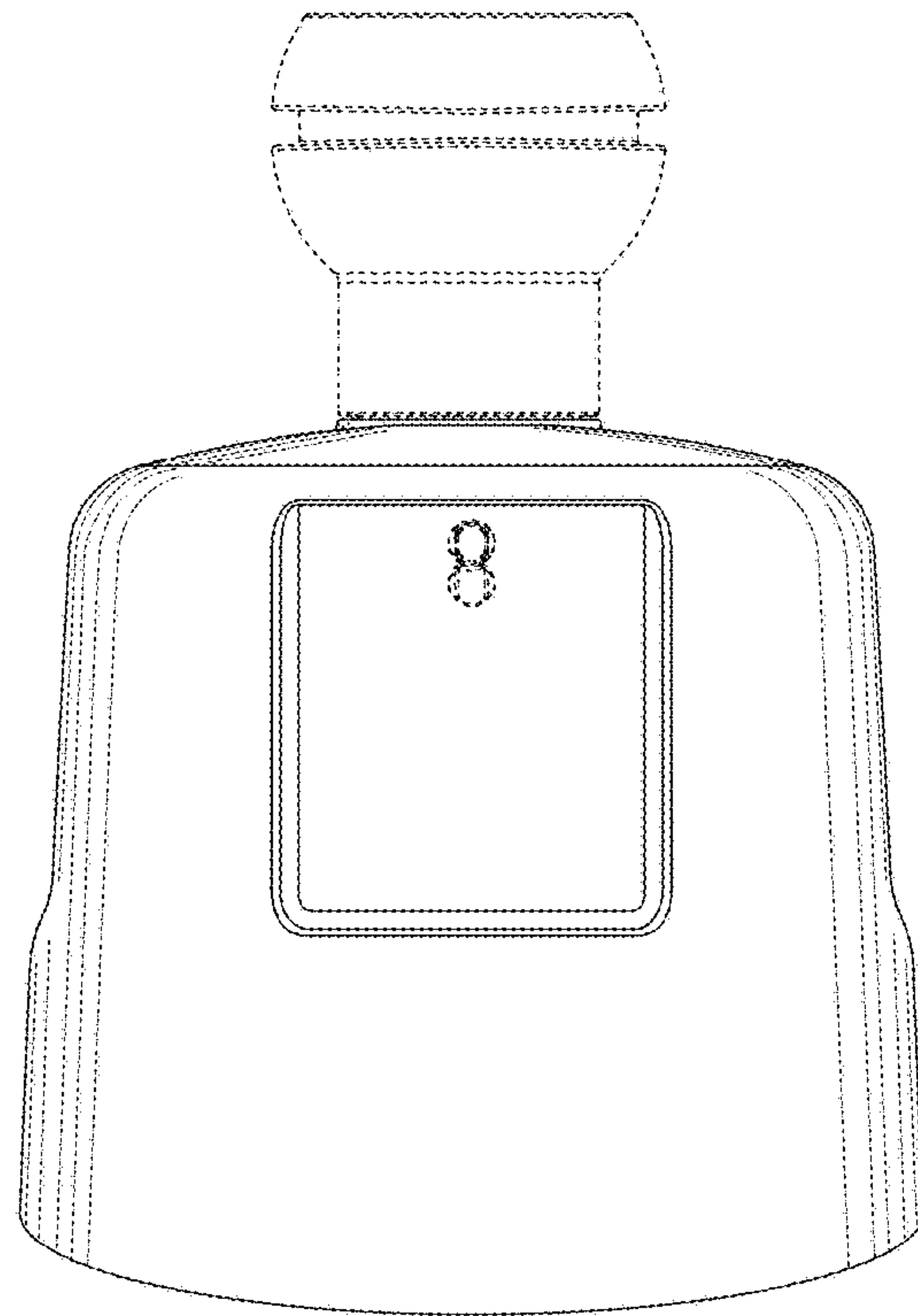
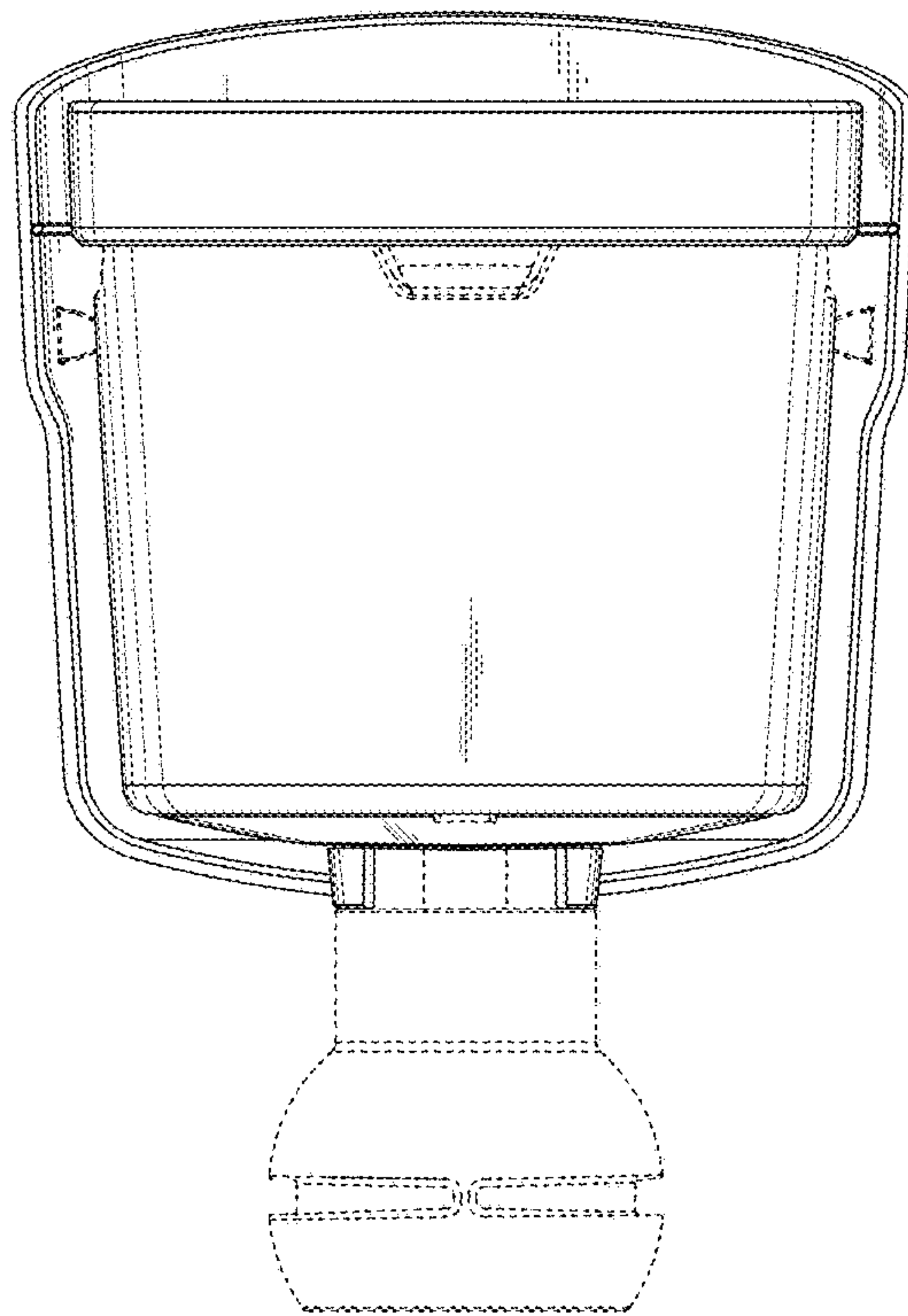


Fig. 3



*Fig. 4*



*Fig. 5*



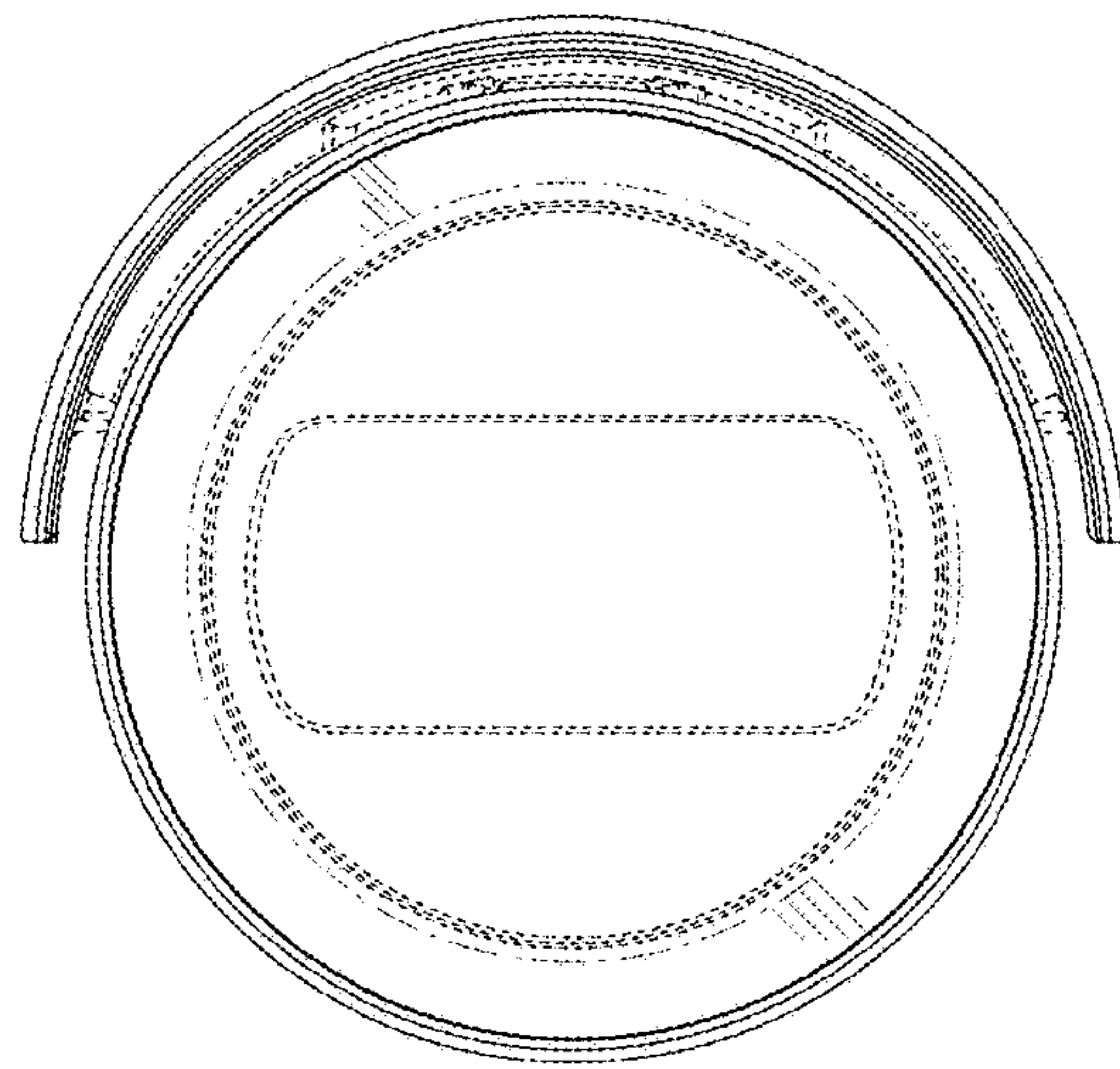


Fig. 6

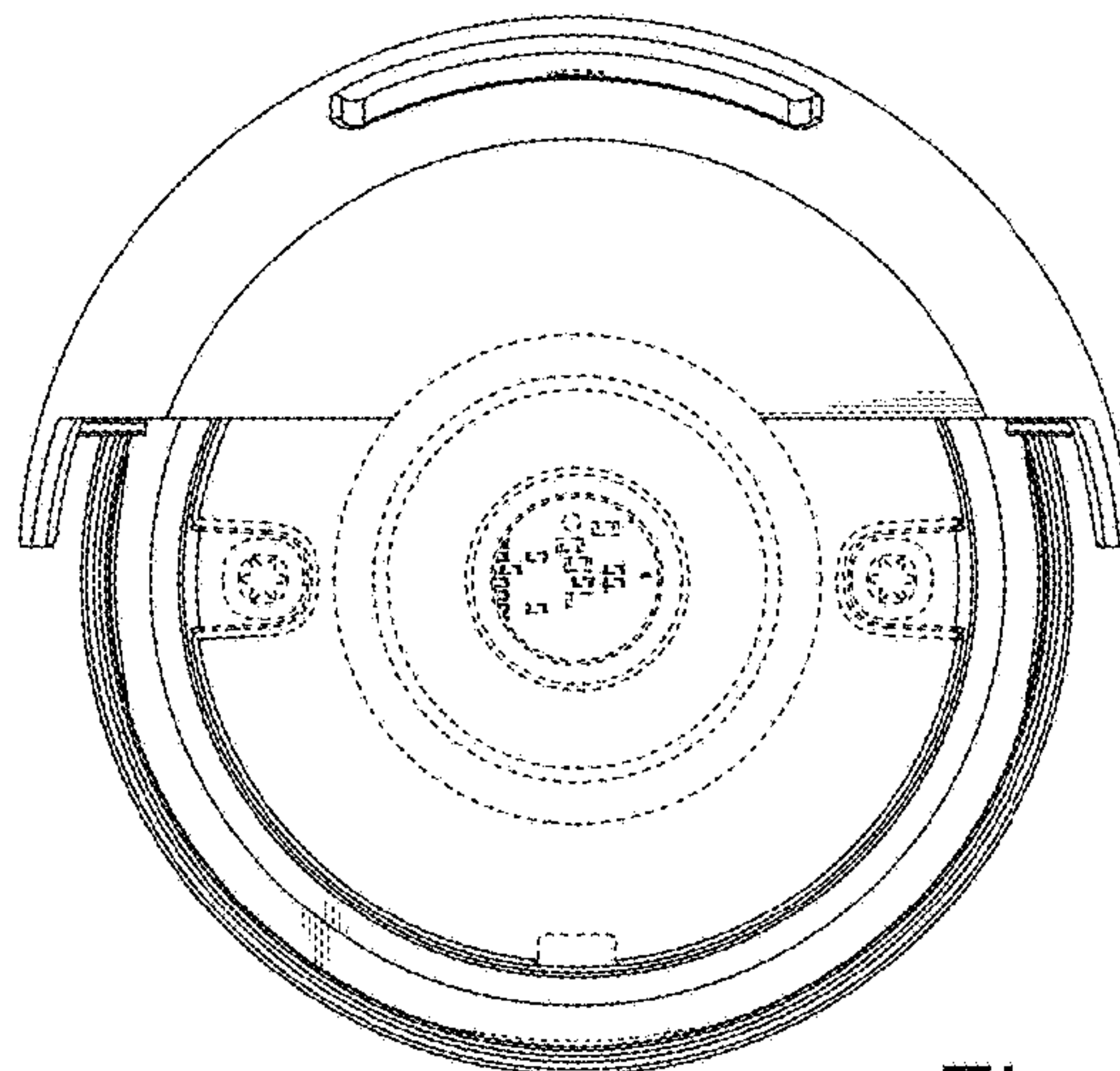


Fig. 7