



US00D848503S

(12) **United States Design Patent** (10) **Patent No.:** **US D848,503 S**
Ahman et al. (45) **Date of Patent:** **** May 14, 2019**

(54) **MONITORING CAMERA**

(71) Applicant: **Axis AB**, Lund (SE)

(72) Inventors: **Daniel Ahman**, Lomma (SE); **Morten Bergstrom**, Lund (SE); **Mathias Walter**, Arlov (SE); **Mariano Vozzi**, Malmo (SE); **Alexander Rosenkvist**, Sjobo (SE); **David Fagerkvist**, Bunkeflostrand (SE)

(73) Assignee: **AXIS AB**, Lund (SE)

(**) Term: **15 Years**

(21) Appl. No.: **29/621,167**

(22) Filed: **Oct. 5, 2017**

Related U.S. Application Data

(62) Division of application No. 29/583,372, filed on Nov. 4, 2016.

(30) **Foreign Application Priority Data**

May 4, 2016 (EM) 003110238

(51) **LOC (11) Cl.** **16-01**

(52) **U.S. Cl.**
USPC **D16/203**

(58) **Field of Classification Search**
USPC D16/200, 202-206, 218, 219, 242;
348/143, 148, 151, 373-376; 396/419,
396/427, 535, 539-541
CPC G03B 17/02; G03B 19/04; G03B 17/56;
G03B 17/04; G03B 15/03; H04N 5/2251;
H04N 5/2252; H04N 5/2253; H04N
5/2254; H04N 7/181; H04N 7/183; H04N
7/18; G08B 13/1963; G08B 13/19619;
G08B 13/19632; F16M 11/04; F16M
13/00

See application file for complete search history.

(56) **References Cited**

U.S. PATENT DOCUMENTS

D481,407 S 10/2003 Alessio
D497,928 S 11/2004 Cheng-Yuan
D558,250 S * 12/2007 Hsia D16/203
D578,560 S * 10/2008 Hsia D16/203
D634,345 S 3/2011 Kim

(Continued)

FOREIGN PATENT DOCUMENTS

EM 0013236530001 4/2012
EM 0013584690001 1/2013
TW D158581 1/2014

OTHER PUBLICATIONS

AXIS Communications, Press Release, Axis introduces new series of seven cost-effective and compact bullet-style cameras for any environment, Lund, Apr. 1, 2014, 2 pages.

(Continued)

Primary Examiner — Ramzi S Almatrahi

(74) *Attorney, Agent, or Firm* — Volpe and Koenig, P.C.

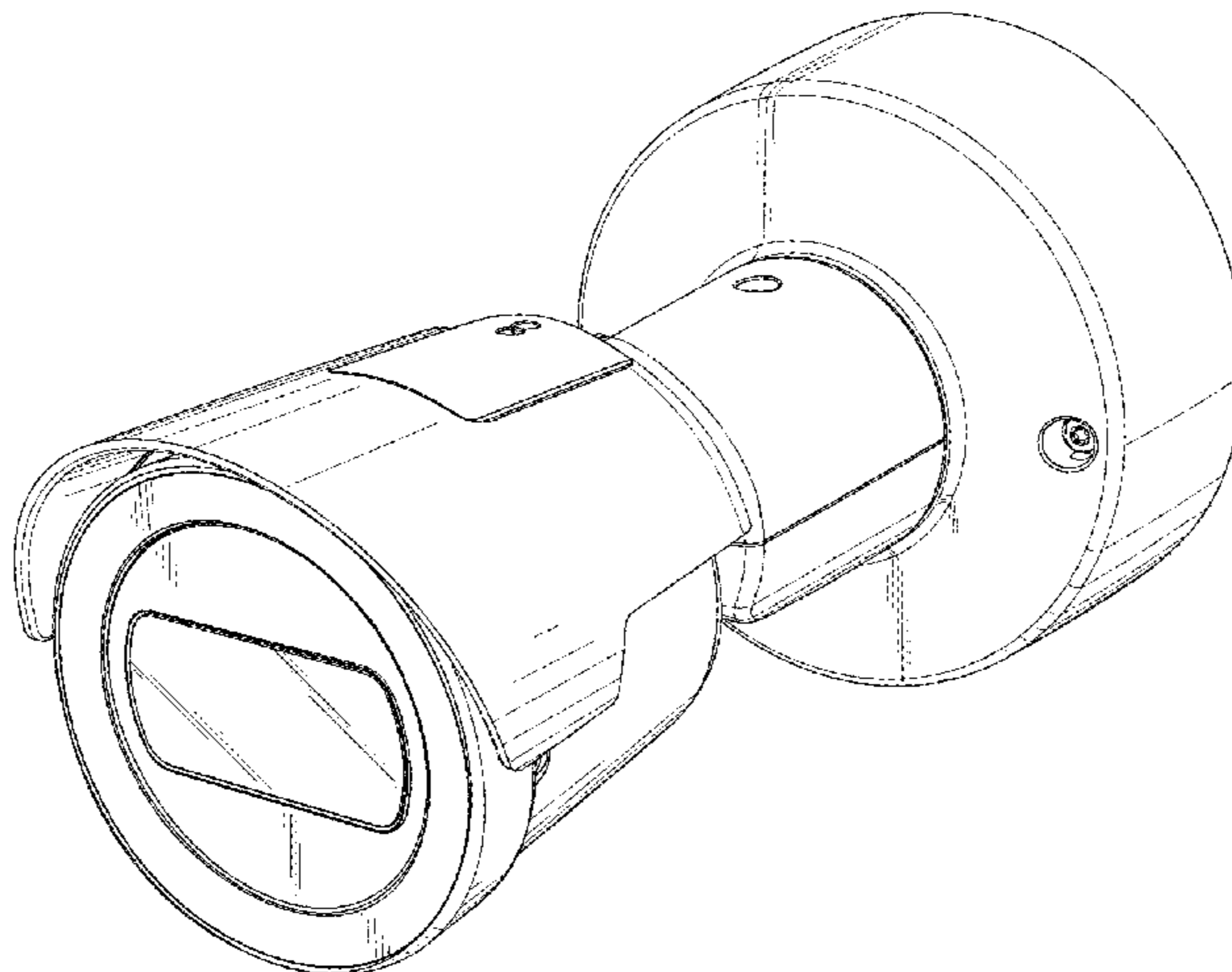
(57) **CLAIM**

The ornamental design for a monitoring camera, as shown and described.

DESCRIPTION

FIG. 1 is a perspective view of a monitoring camera in accordance with our design;
FIG. 2 is a top plan view thereof;
FIG. 3 is a right side elevational view thereof;
FIG. 4 is a left side elevational view thereof;
FIG. 5 is a front elevational view thereof;
FIG. 6 is a rear elevational view thereof; and,
FIG. 7 is a bottom plan view thereof.
The broken lines depict portions of the monitoring camera in which the design is embodied that form no part of the claimed design.

1 Claim, 6 Drawing Sheets



(56)

References Cited

U.S. PATENT DOCUMENTS

D634,347 S 3/2011 Park
D634,767 S * 3/2011 Ko D16/203
D634,768 S 3/2011 Ko
D635,172 S 3/2011 Ko
D643,453 S 8/2011 Ham
D691,187 S 10/2013 Seo et al.
D702,274 S 4/2014 Qian et al.
D721,756 S 1/2015 Hallstrom et al.
D730,420 S * 5/2015 Janssen D16/200
D731,574 S 6/2015 Hallstrom et al.
D753,207 S * 4/2016 Katori D16/203
D753,751 S 4/2016 Moller Lewin et al.
D777,817 S * 1/2017 Holbrook D16/203
D787,581 S * 5/2017 Moller-Lewin D16/203
D795,942 S * 8/2017 Mitchell D16/203
D795,943 S * 8/2017 Mitchell D16/203
2006/0077285 A1 4/2006 Cheng
2009/0284596 A1 * 11/2009 Lin H04N 5/2252
348/143

OTHER PUBLICATIONS

AXIS Communications, Axis P1405-E Network Camera, Compact and cost-effective HDTV Surveillance, 2014-2015, 2 pages.

* cited by examiner

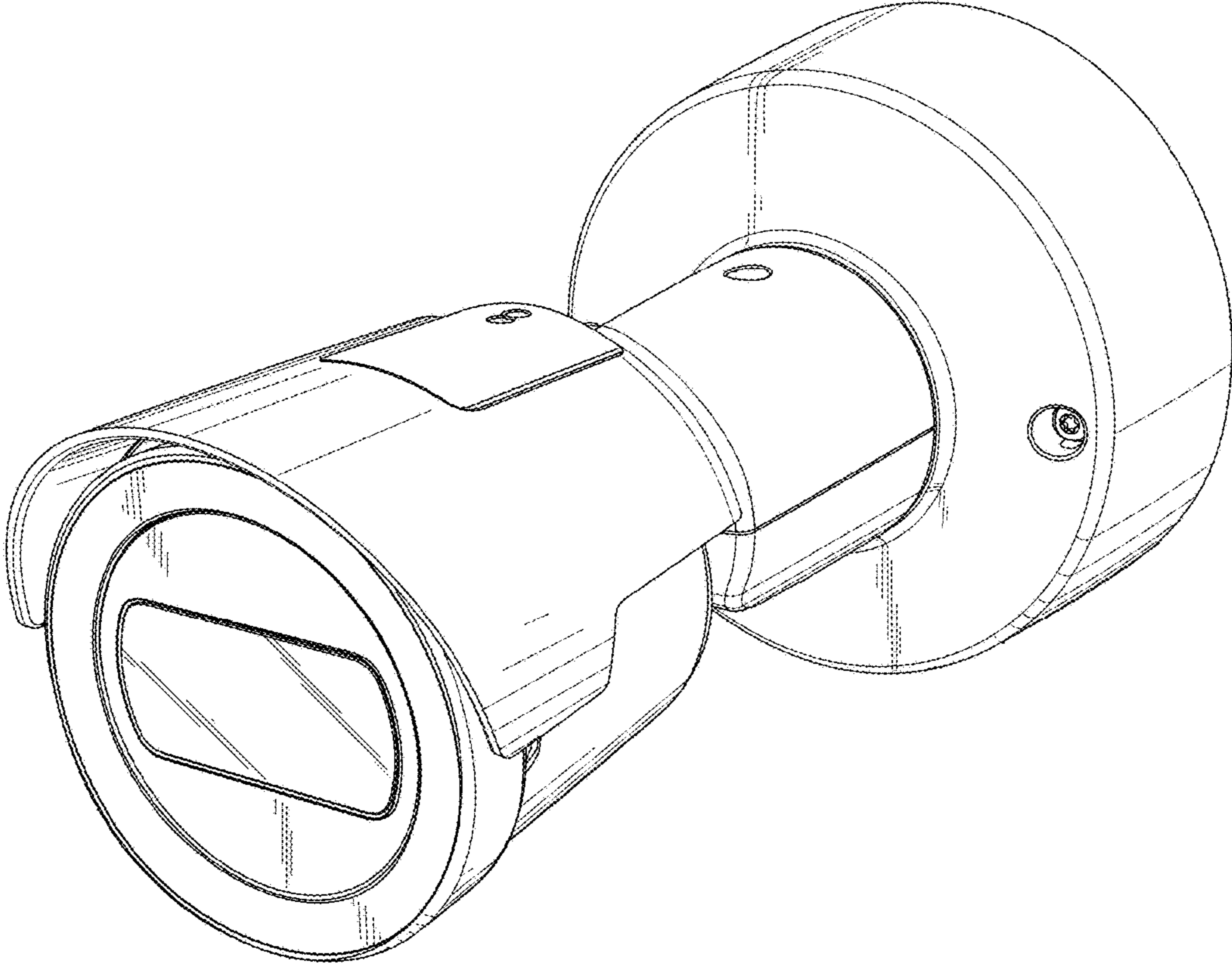


Fig. 1

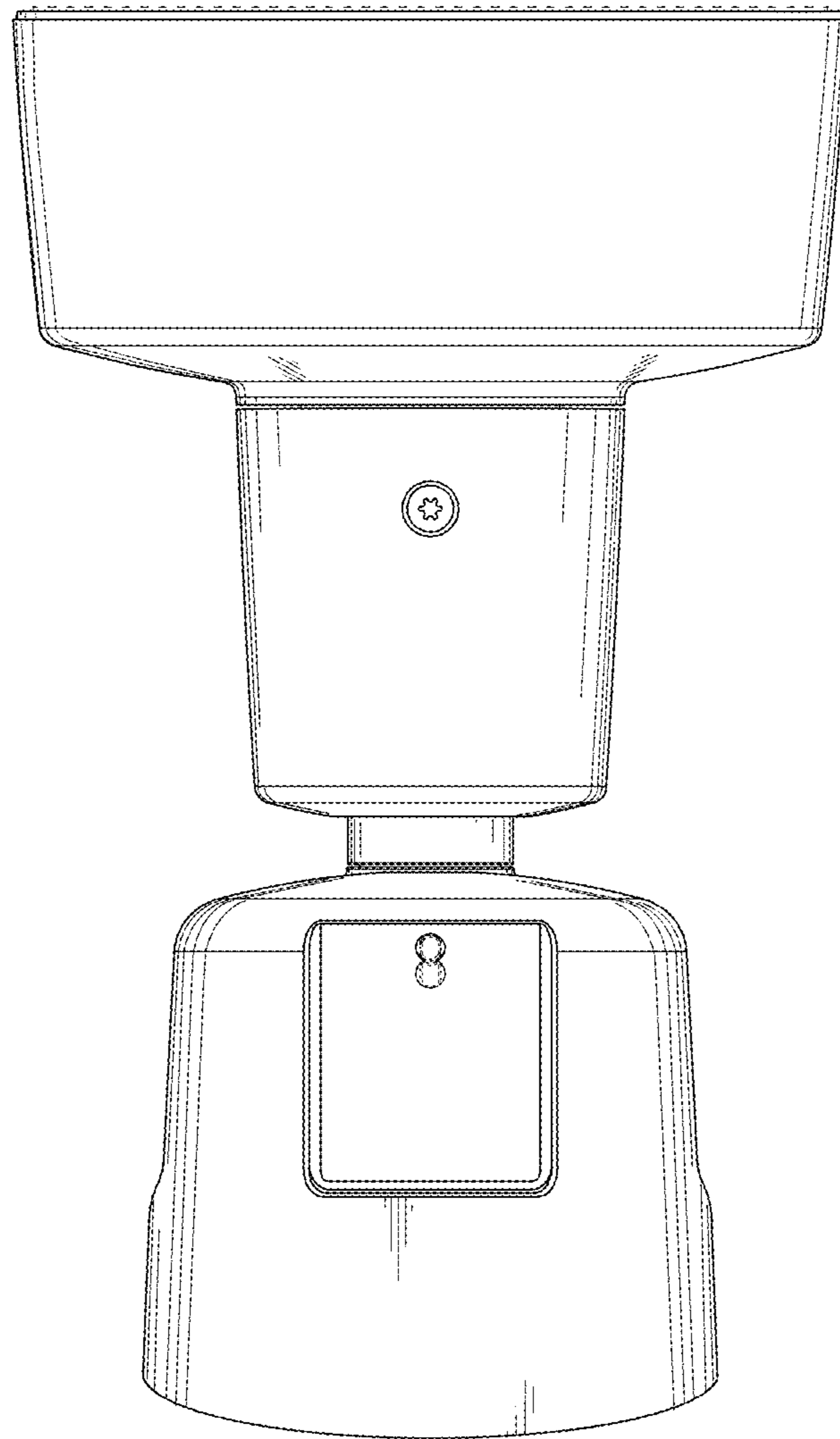


Fig. 2

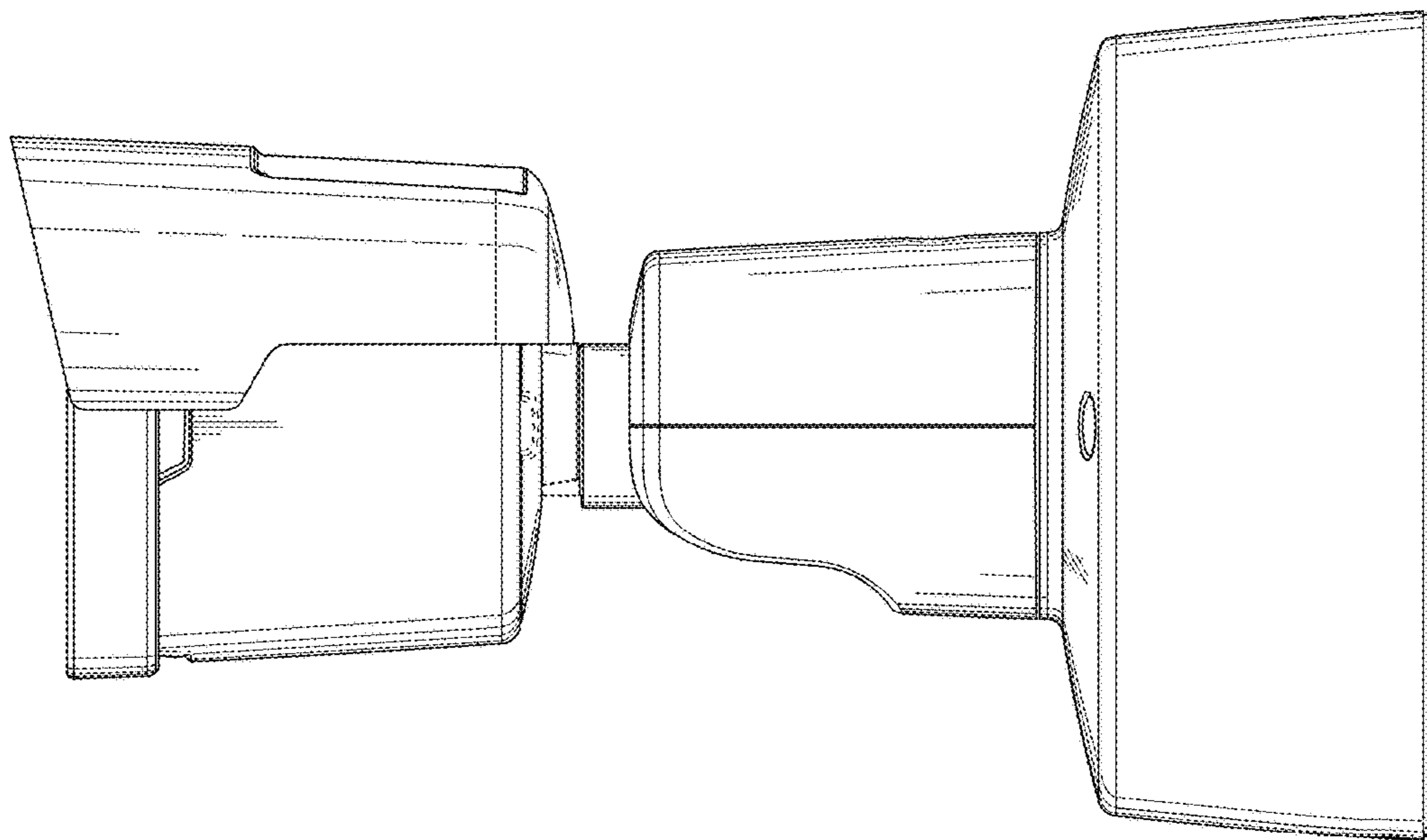


Fig. 3

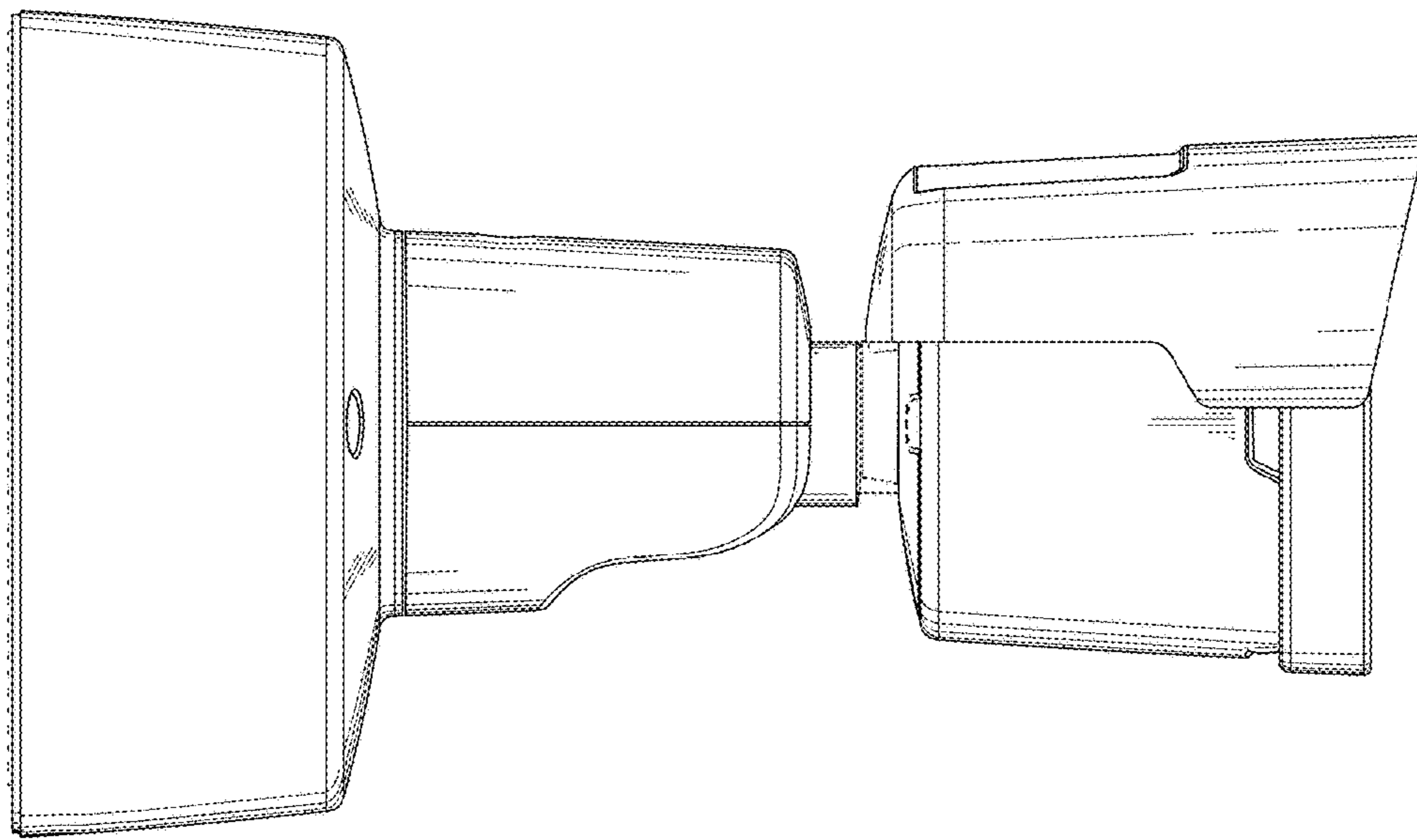


Fig. 4

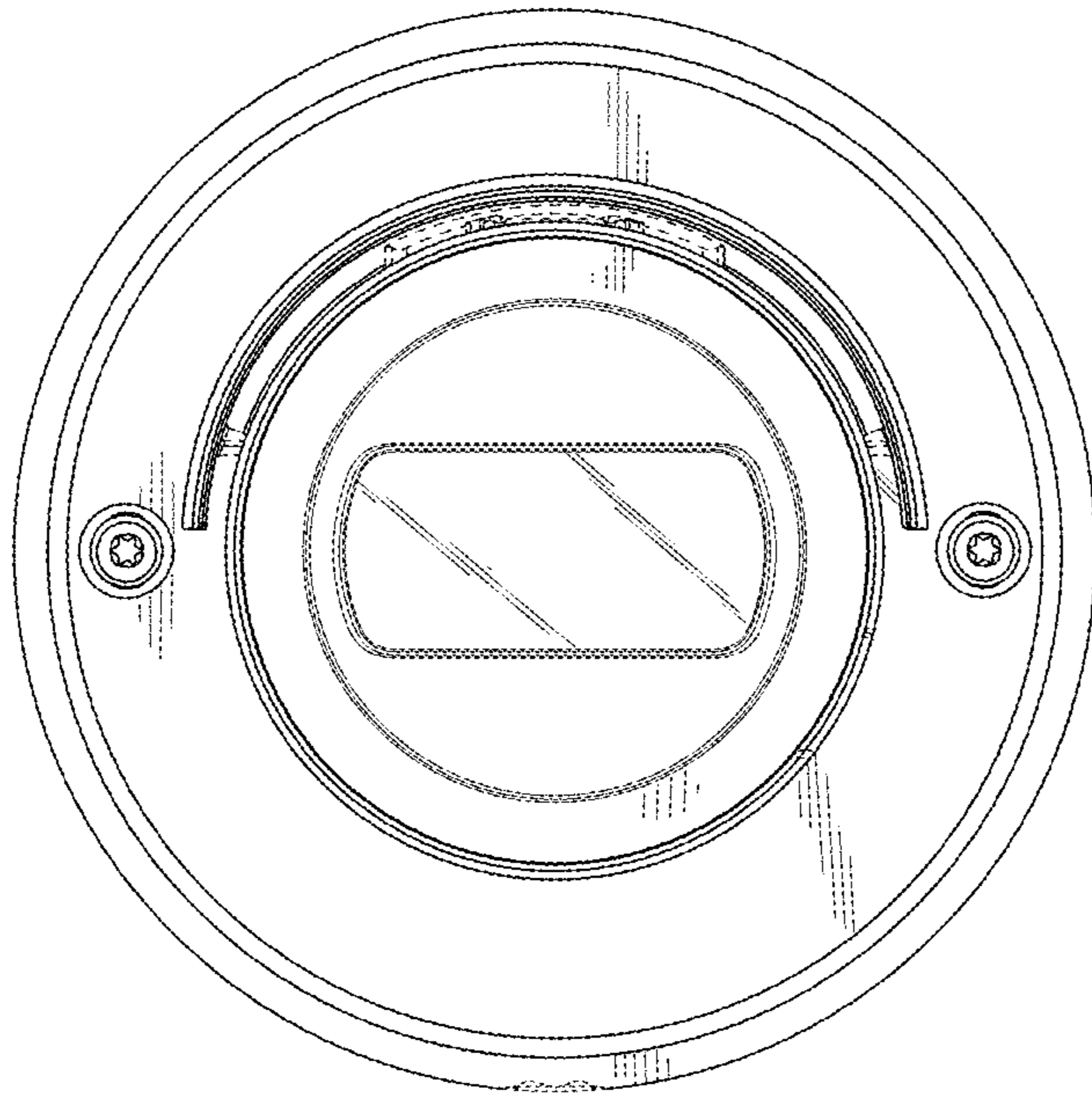


Fig. 5

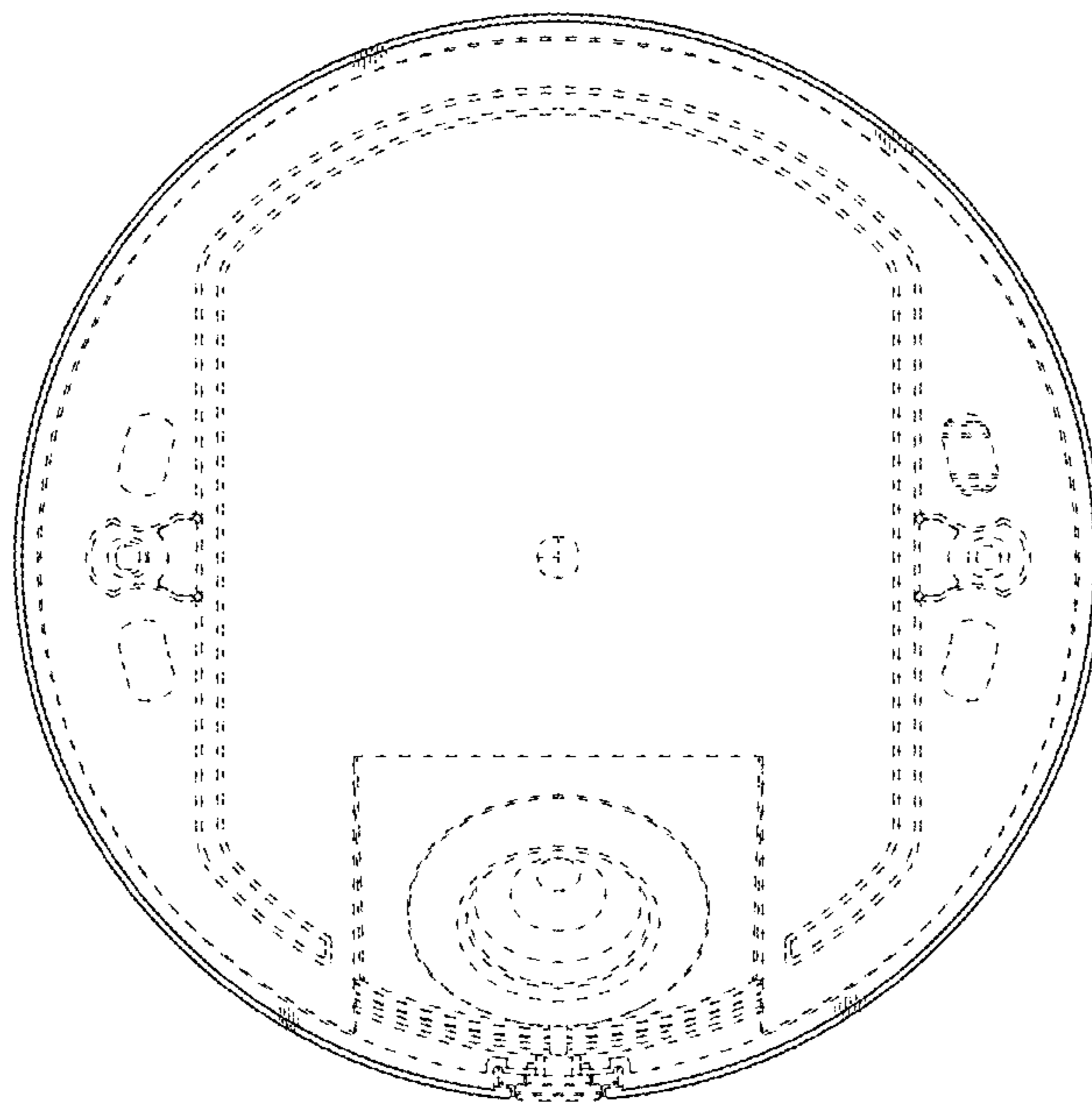


Fig. 6

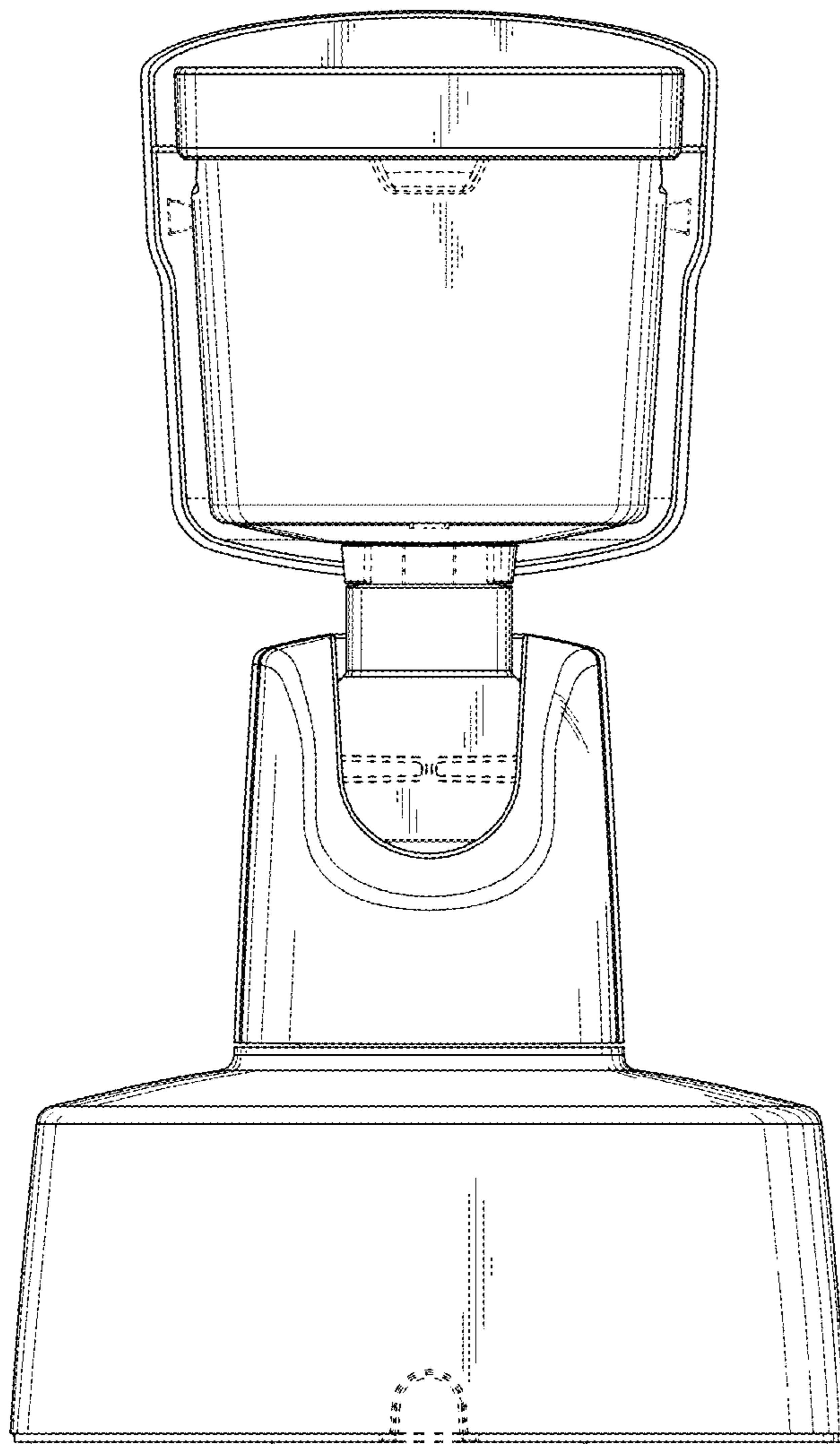


Fig. 7