



US00D848500S

(12) **United States Design Patent**
Miyashita

(10) **Patent No.:** **US D848,500 S**

(45) **Date of Patent:** **** May 14, 2019**

(54) **CAMERA MOUNT FOR A SQUARE PROFILE CAMERA**

(71) Applicant: **GoPro, Inc.**, San Mateo, CA (US)

(72) Inventor: **Yusuke Miyashita**, San Mateo, CA (US)

(73) Assignee: **GoPro, Inc.**, San Mateo, CA (US)

(**) Term: **15 Years**

(21) Appl. No.: **29/565,969**

(22) Filed: **May 26, 2016**

(51) **LOC (11) Cl.** **16-01**

(52) **U.S. Cl.**
USPC **D16/200; D16/242**

(58) **Field of Classification Search**
USPC D16/200, 202–204, 208, 211, 218, 219,
D16/237, 242; 248/176.1, 187.1;
348/81, 360, 373–376, 835; 396/25,
396/27–29, 419, 535, 539–541
CPC G03B 15/03; G03B 17/02; G03B 17/04;
G03B 17/08; G03B 17/56; G03B 19/04;
H04N 5/2251; H04N 5/2252; H04N
5/2253; H04N 5/2254; A45C 11/38
See application file for complete search history.

(56) **References Cited**

U.S. PATENT DOCUMENTS

D515,121 S *	2/2006	Bleau	D16/202
D550,741 S *	9/2007	Vernon	D16/208
D699,277 S *	2/2014	Samuels	D16/200
D730,423 S *	5/2015	Vandenbussche	D16/218
D750,687 S *	3/2016	Samuels	G03B 17/02
				D16/219
D752,672 S *	3/2016	Clearman	D16/200
D754,230 S *	4/2016	Mori	D16/200

D776,738 S *	1/2017	Clearman	D16/200
D777,239 S *	1/2017	Costa	D16/242
D785,068 S *	4/2017	Patsis	D16/200
D785,696 S *	5/2017	Parfitt	D16/242
D785,697 S *	5/2017	Costa	D16/242

(Continued)

Primary Examiner — Ramzi S Almatrahi

(74) *Attorney, Agent, or Firm* — Young Basile Hanlon & MacFarlane, P.C.

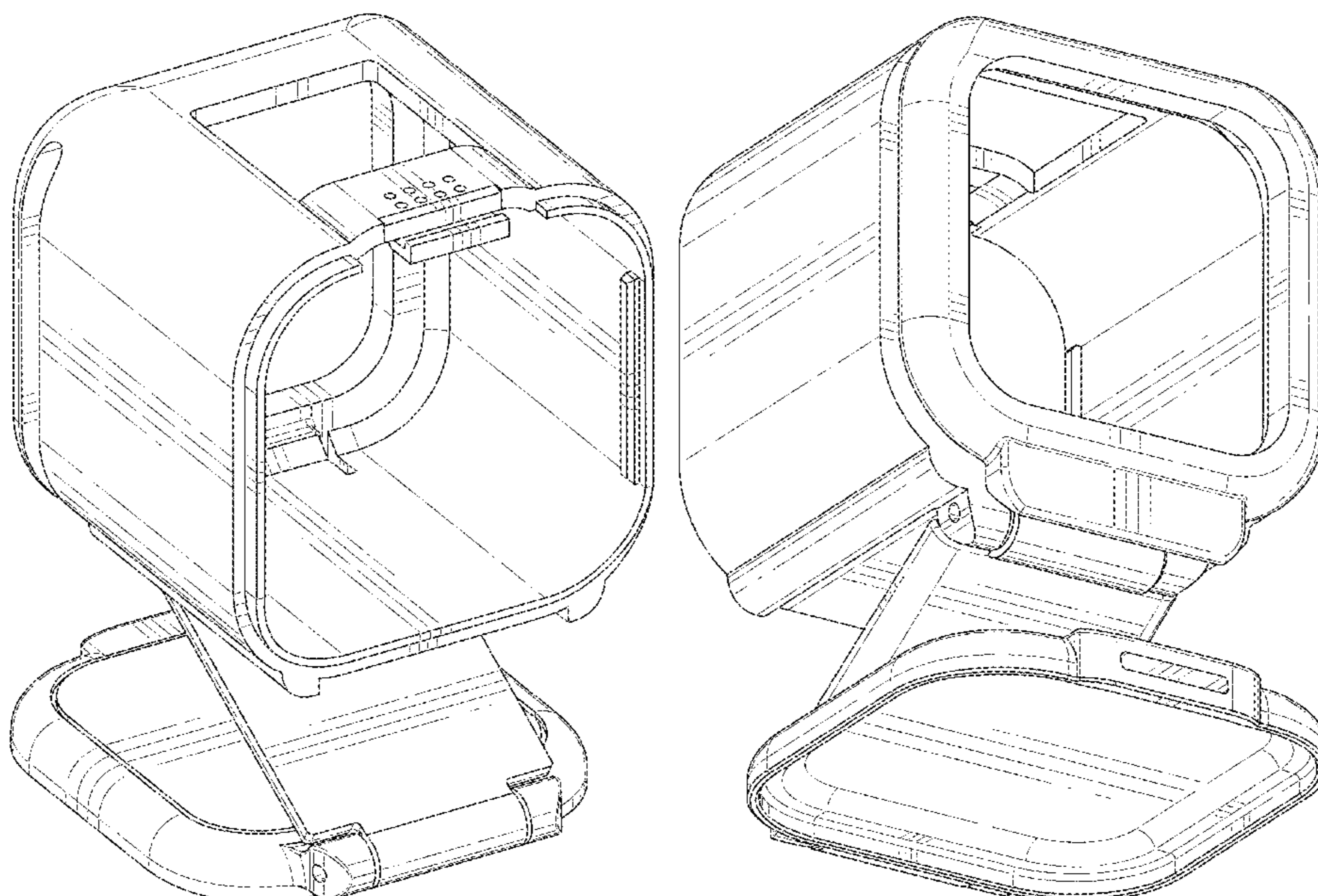
(57) **CLAIM**

The ornamental design for a camera mount for a square profile camera, as shown and described.

DESCRIPTION

FIG. 1 is a front, top, and left perspective view of a camera mount for a square profile camera;
FIG. 2 is a rear, bottom, and right perspective view thereof;
FIG. 3 is a front, bottom, and right perspective view thereof;
FIG. 4 is a rear, top, and left perspective view thereof;
FIG. 5 is a front plan view thereof;
FIG. 6 is a rear plan view thereof;
FIG. 7 is a left view thereof;
FIG. 8 is a right view thereof;
FIG. 9 is a top view thereof;
FIG. 10 is a bottom view thereof;
FIG. 11 is a front, bottom, and left perspective view of a top portion of the camera mount for a square profile camera;
FIG. 12 is a rear, bottom, and right perspective view thereof;
FIG. 13 is a bottom plan view thereof;
FIG. 14 is a front, top, and left perspective view of a bottom portion of the camera mount for a square profile camera;
FIG. 15 is a rear, top, and right perspective view thereof;
and,
FIG. 16 is a top plan view thereof.

1 Claim, 16 Drawing Sheets



(56)

References Cited

U.S. PATENT DOCUMENTS

2011/0317065 A1* 12/2011 Lin G03B 17/02
348/373

* cited by examiner

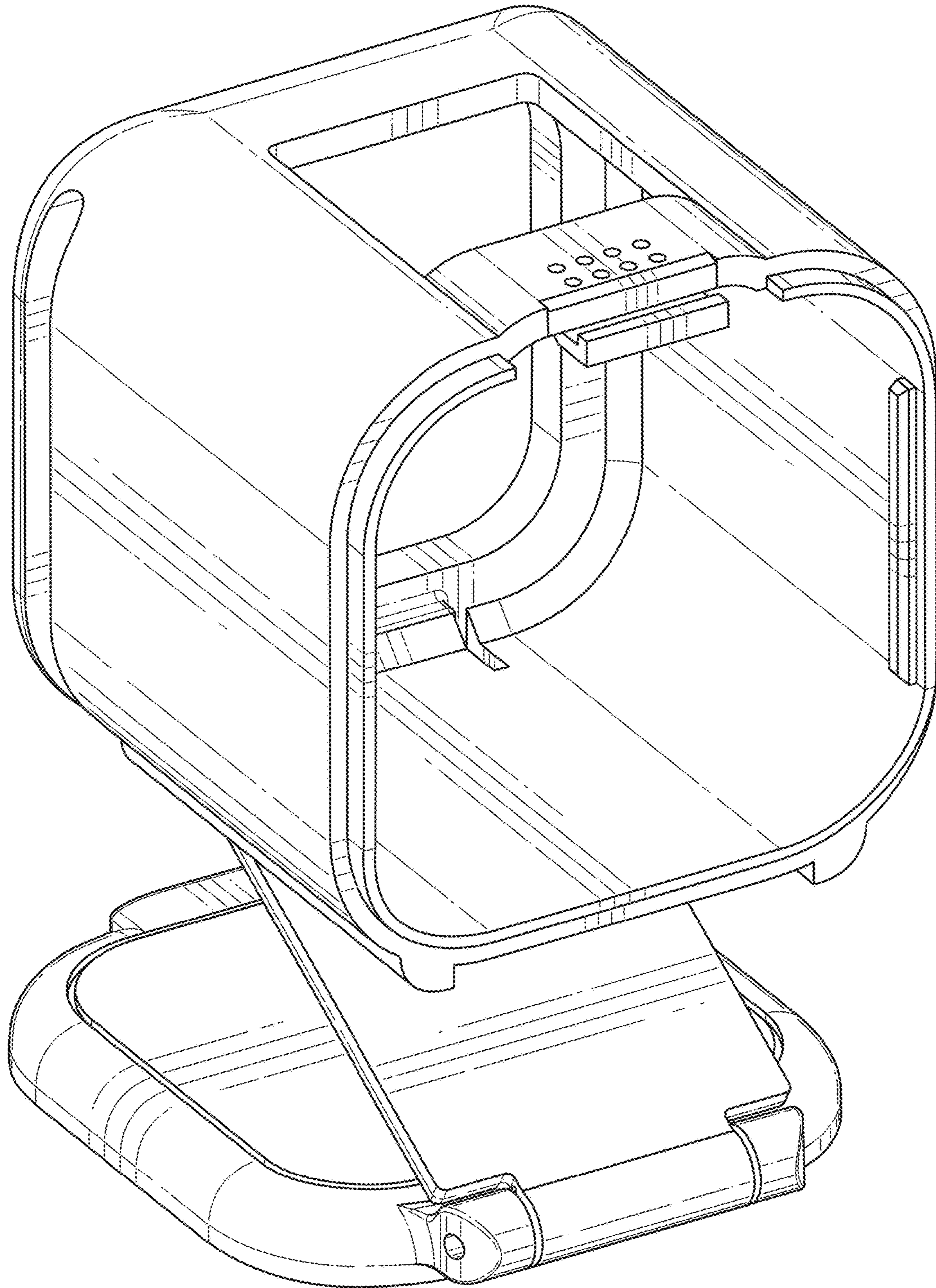


FIG. 1

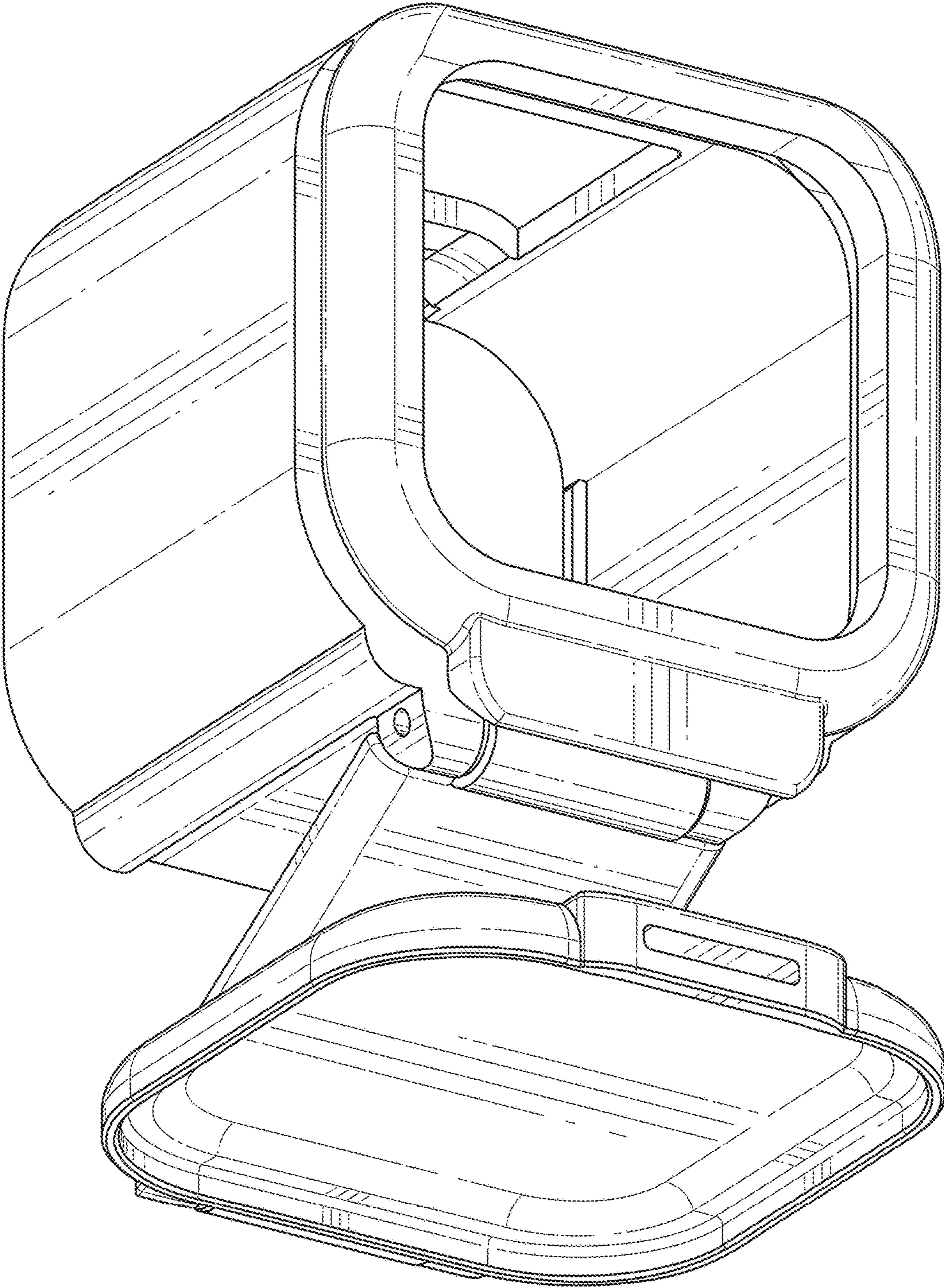


FIG. 2

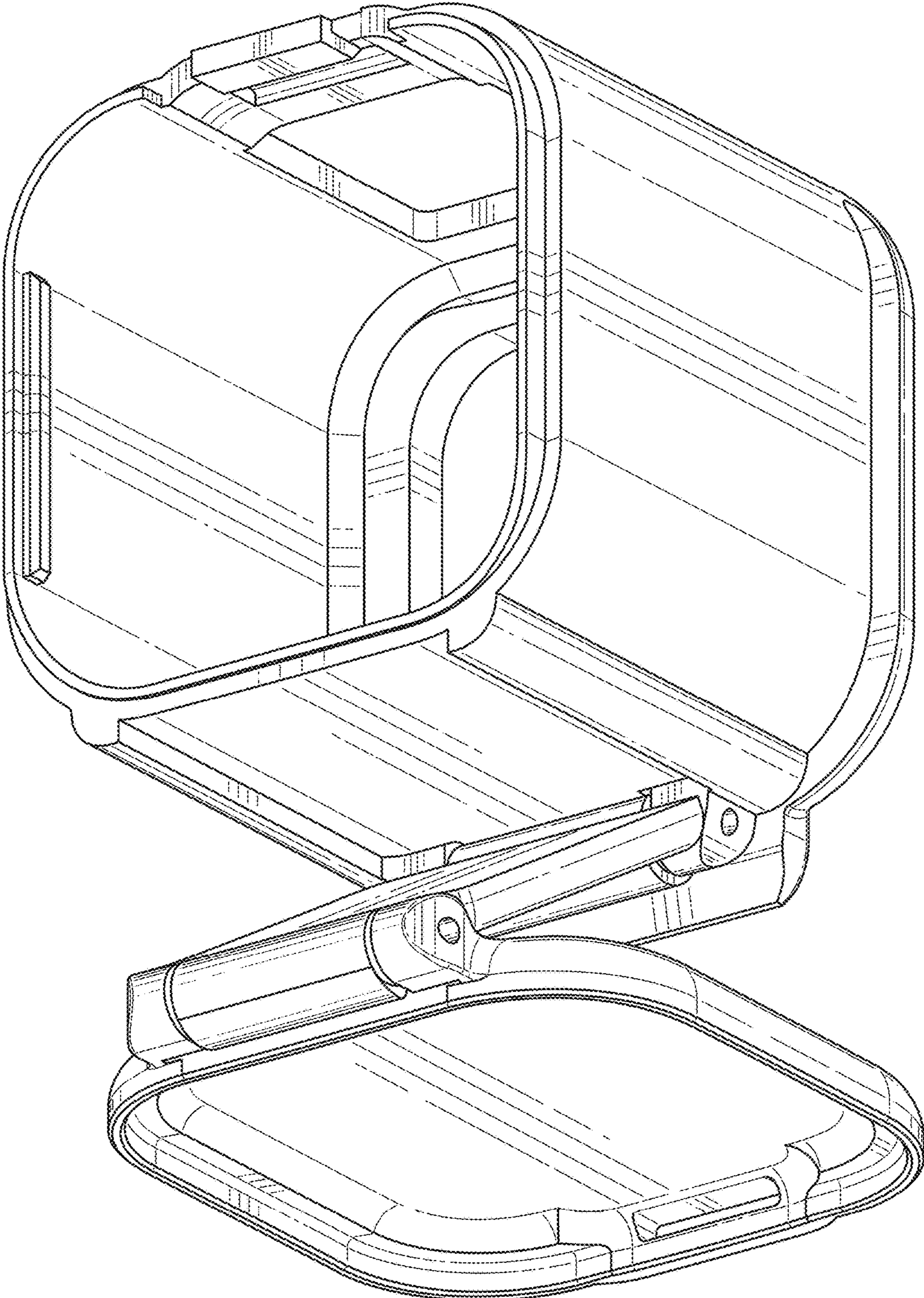


FIG. 3

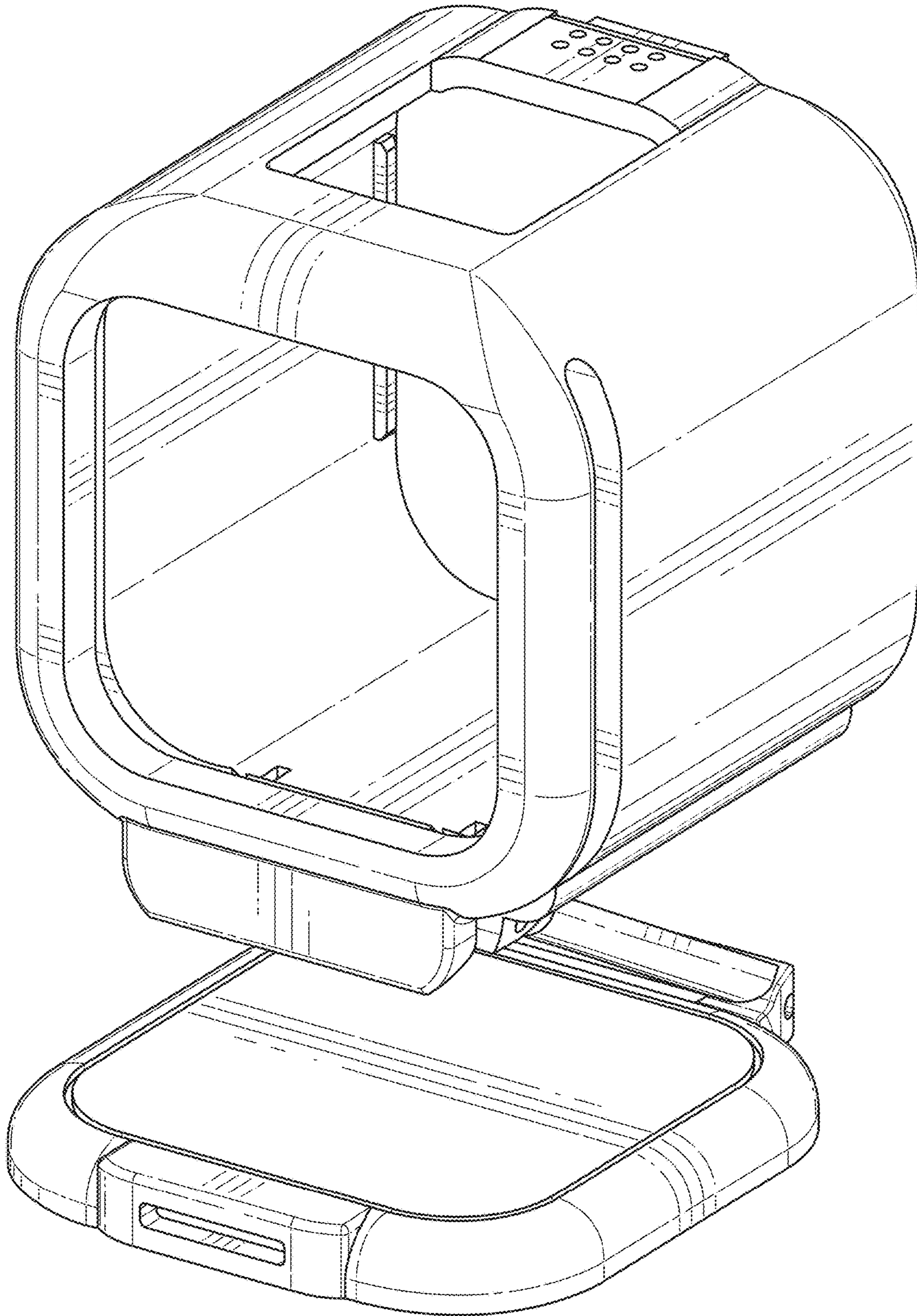


FIG. 4

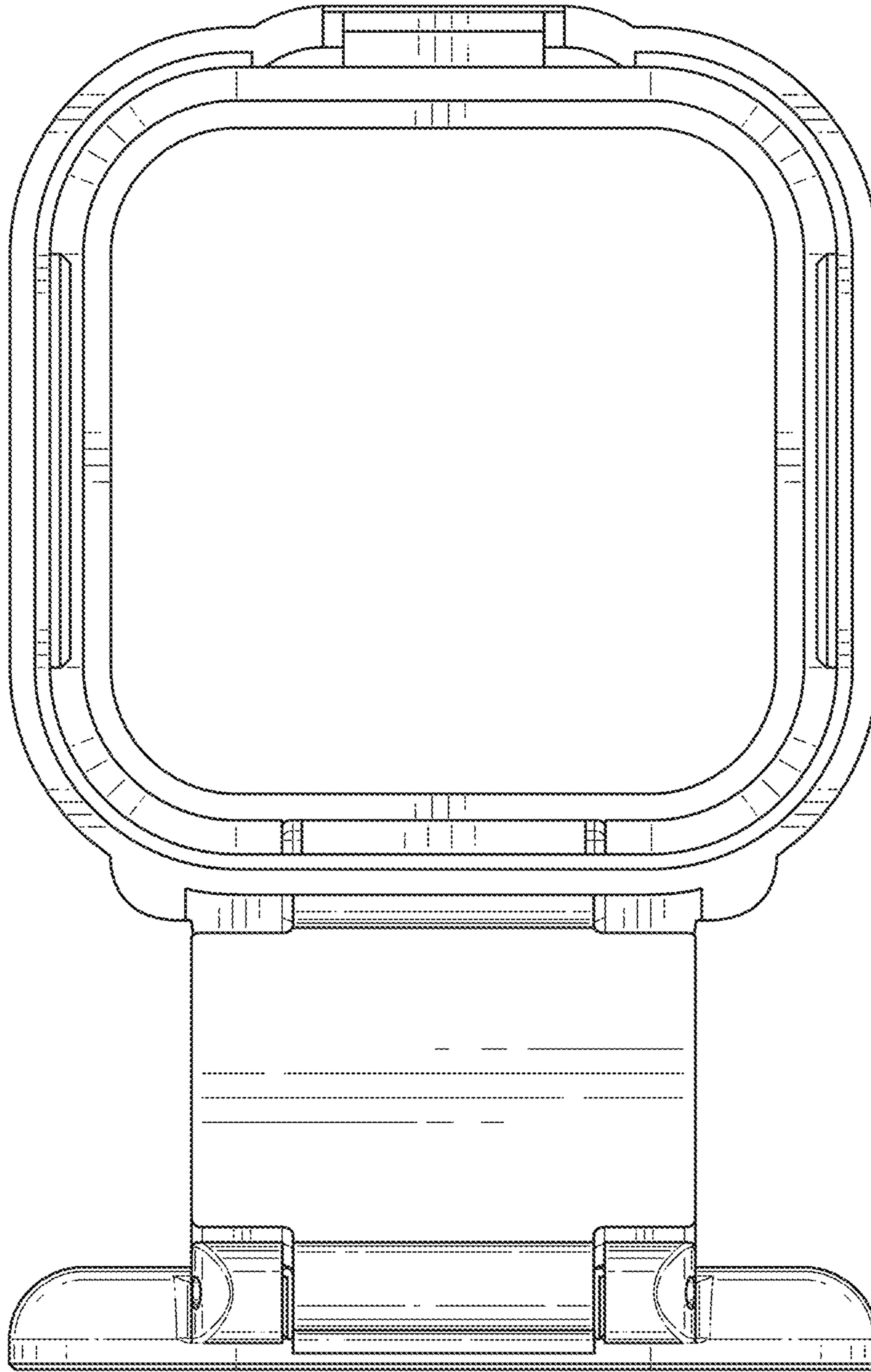


FIG. 5

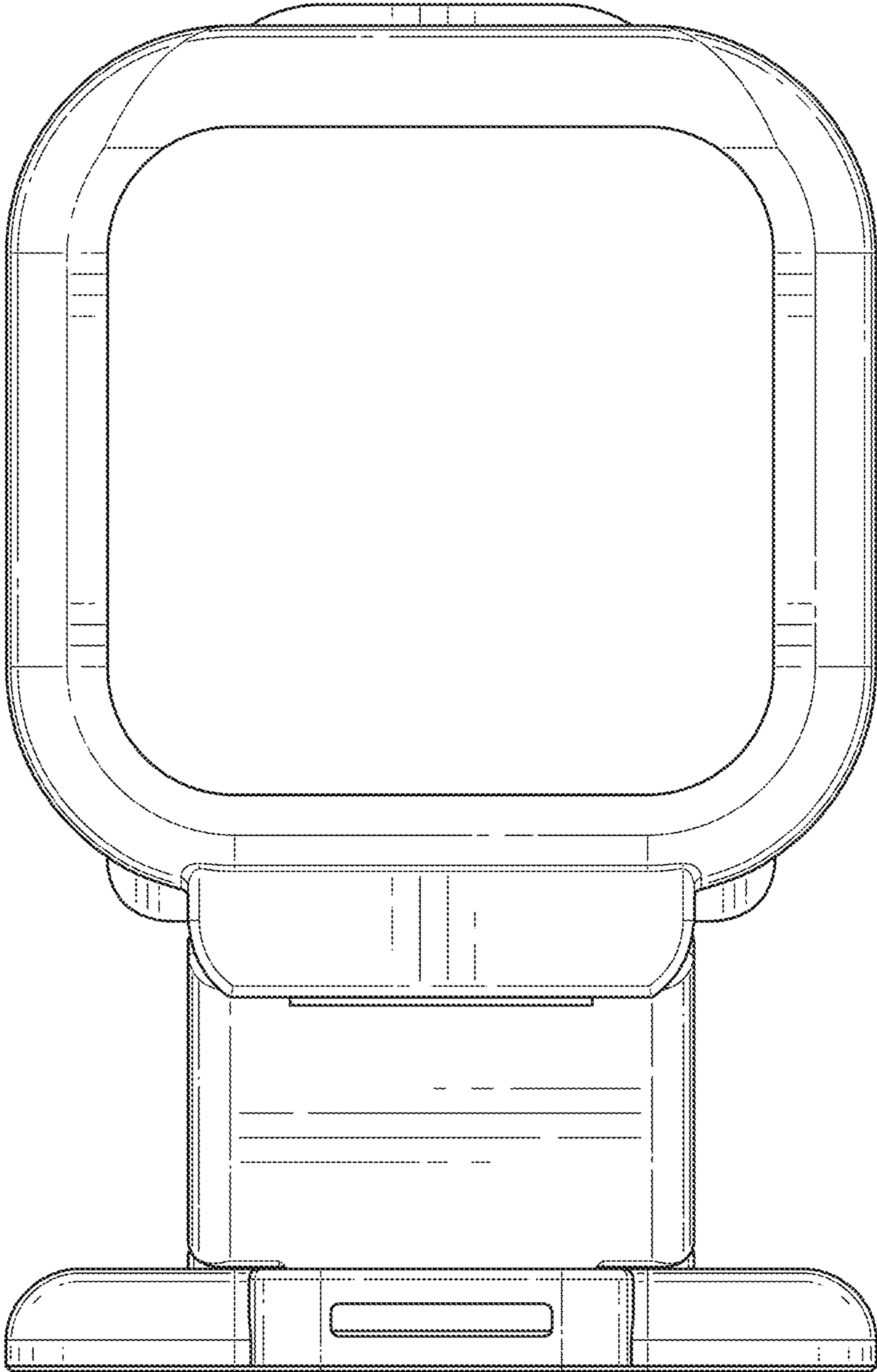


FIG. 6

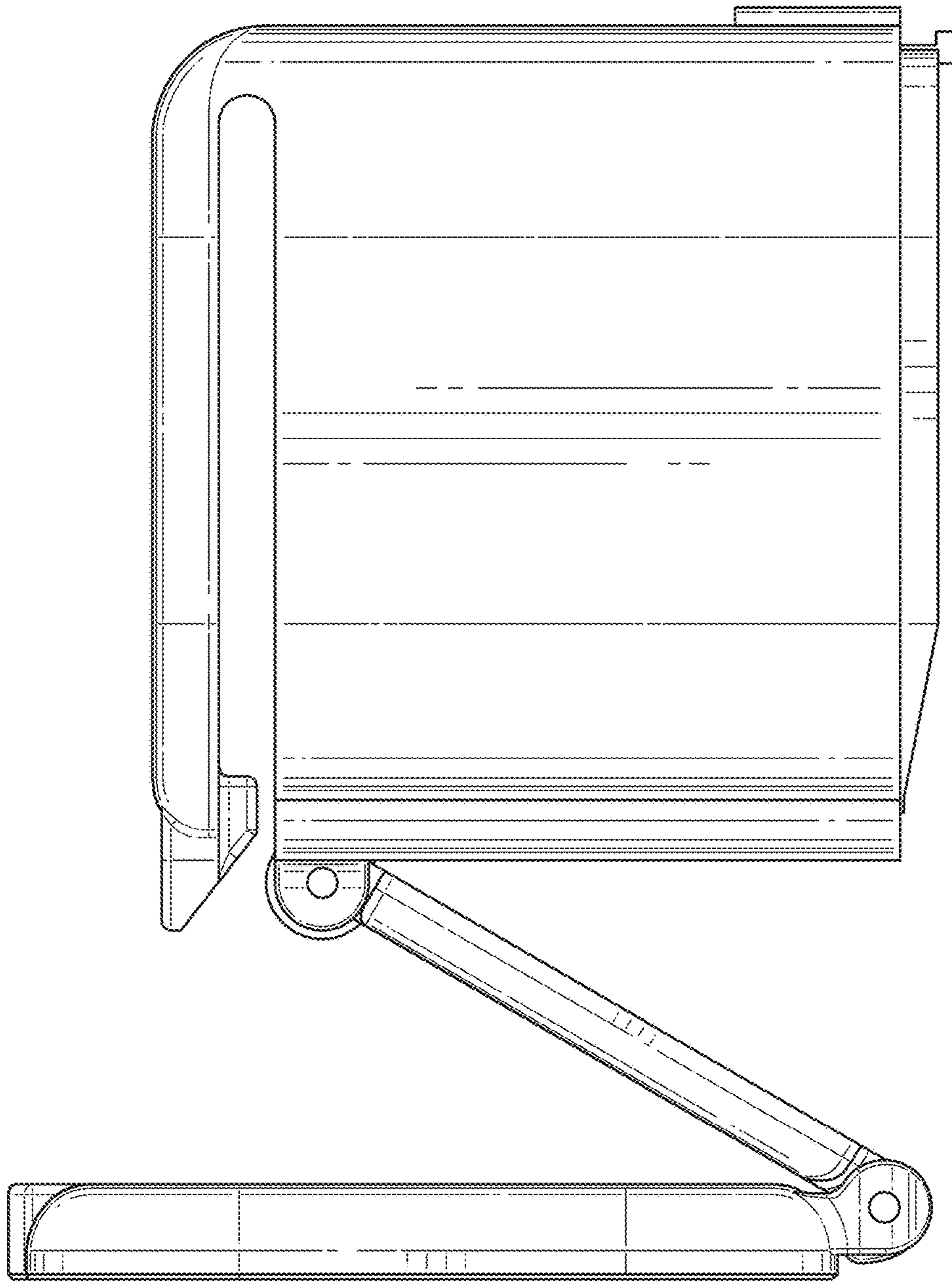


FIG. 7

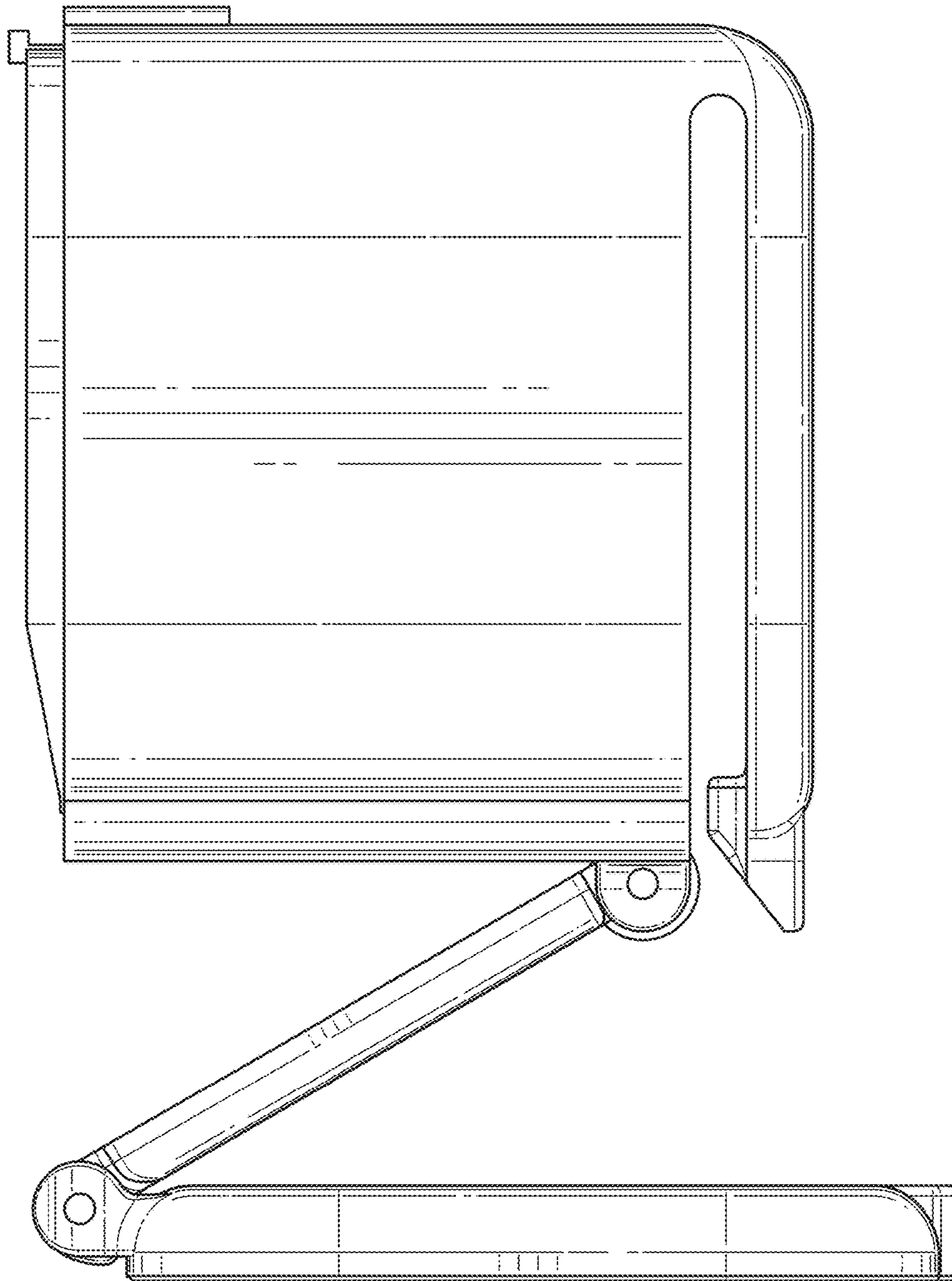


FIG. 8

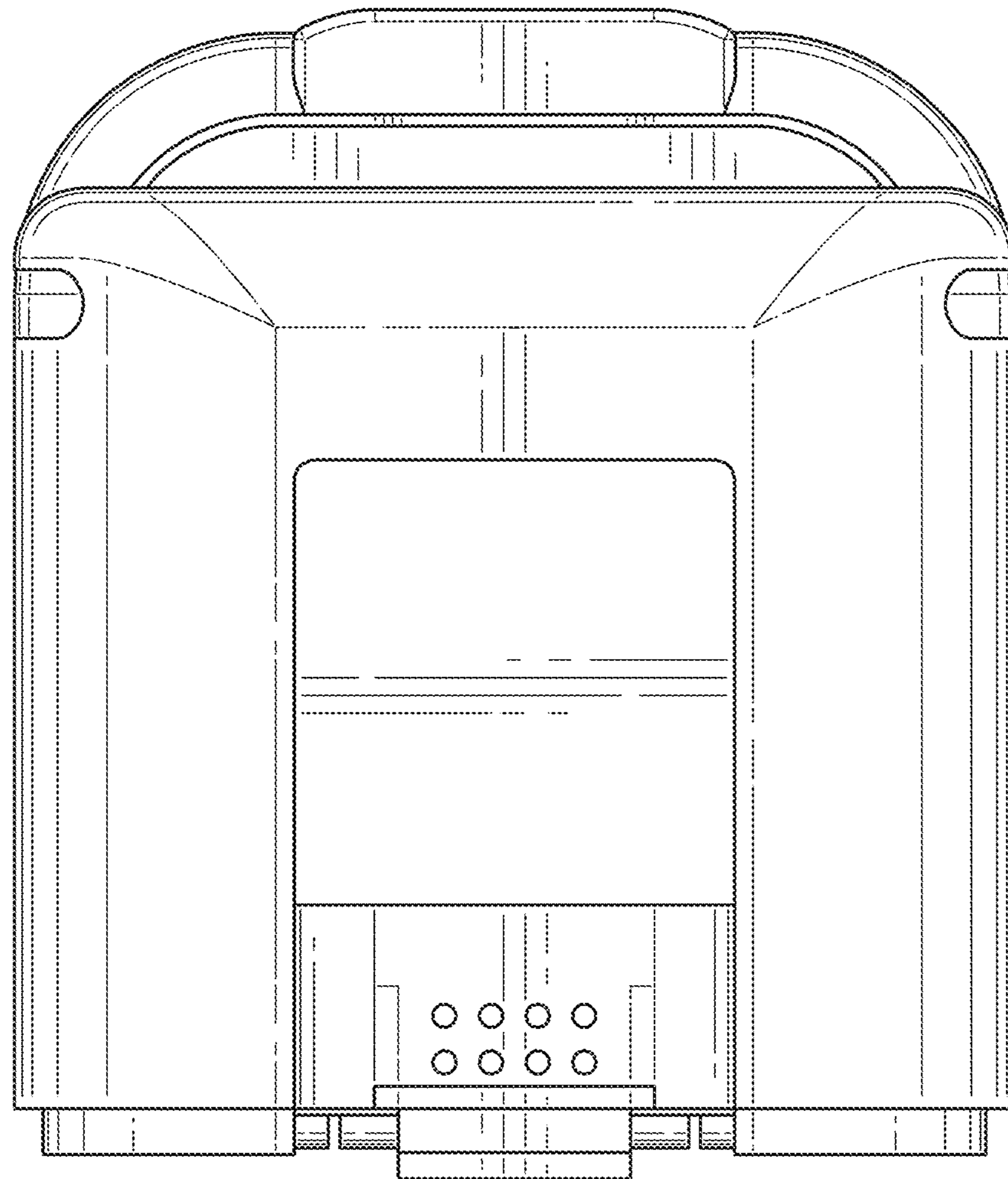


FIG. 9

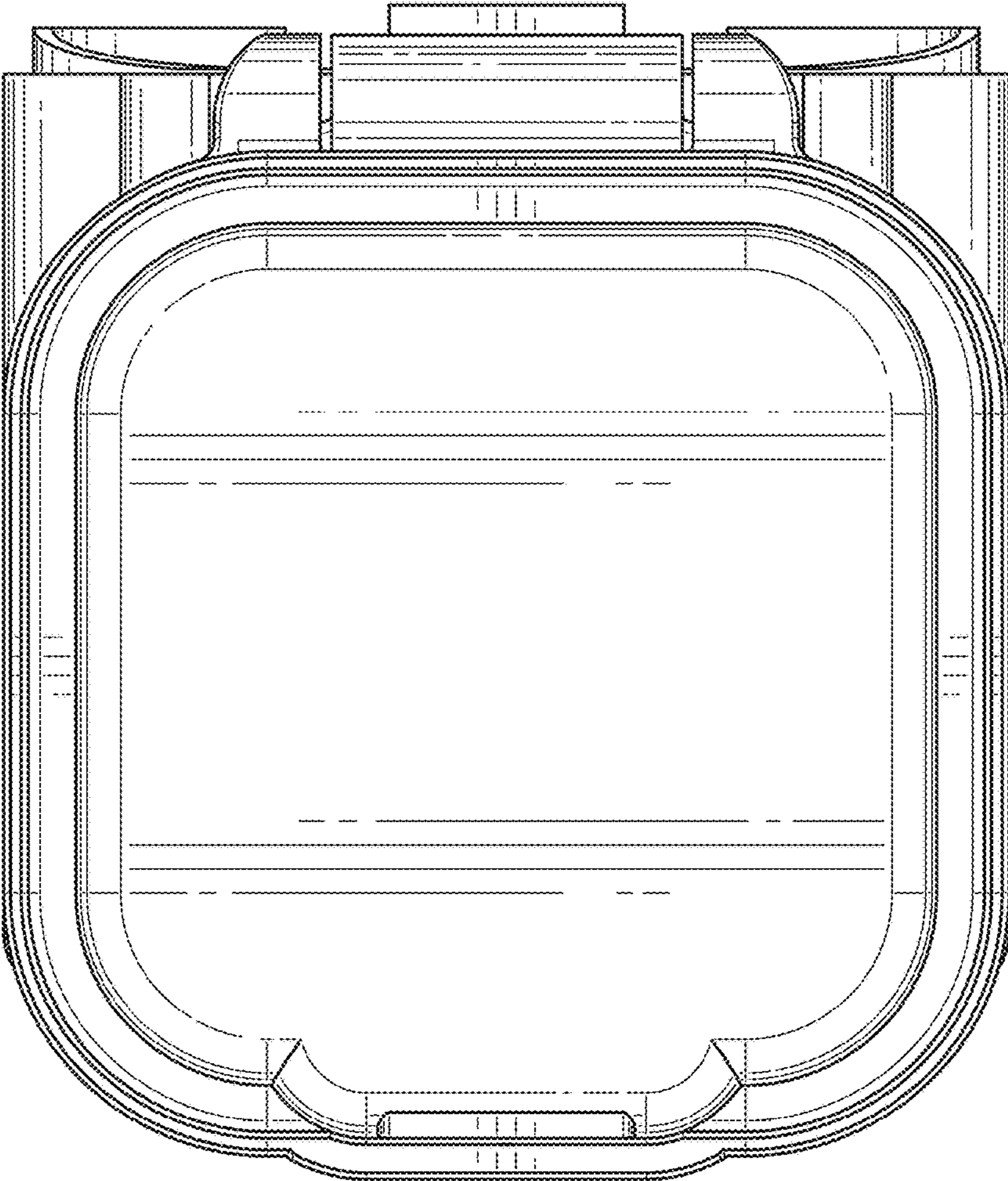


FIG. 10

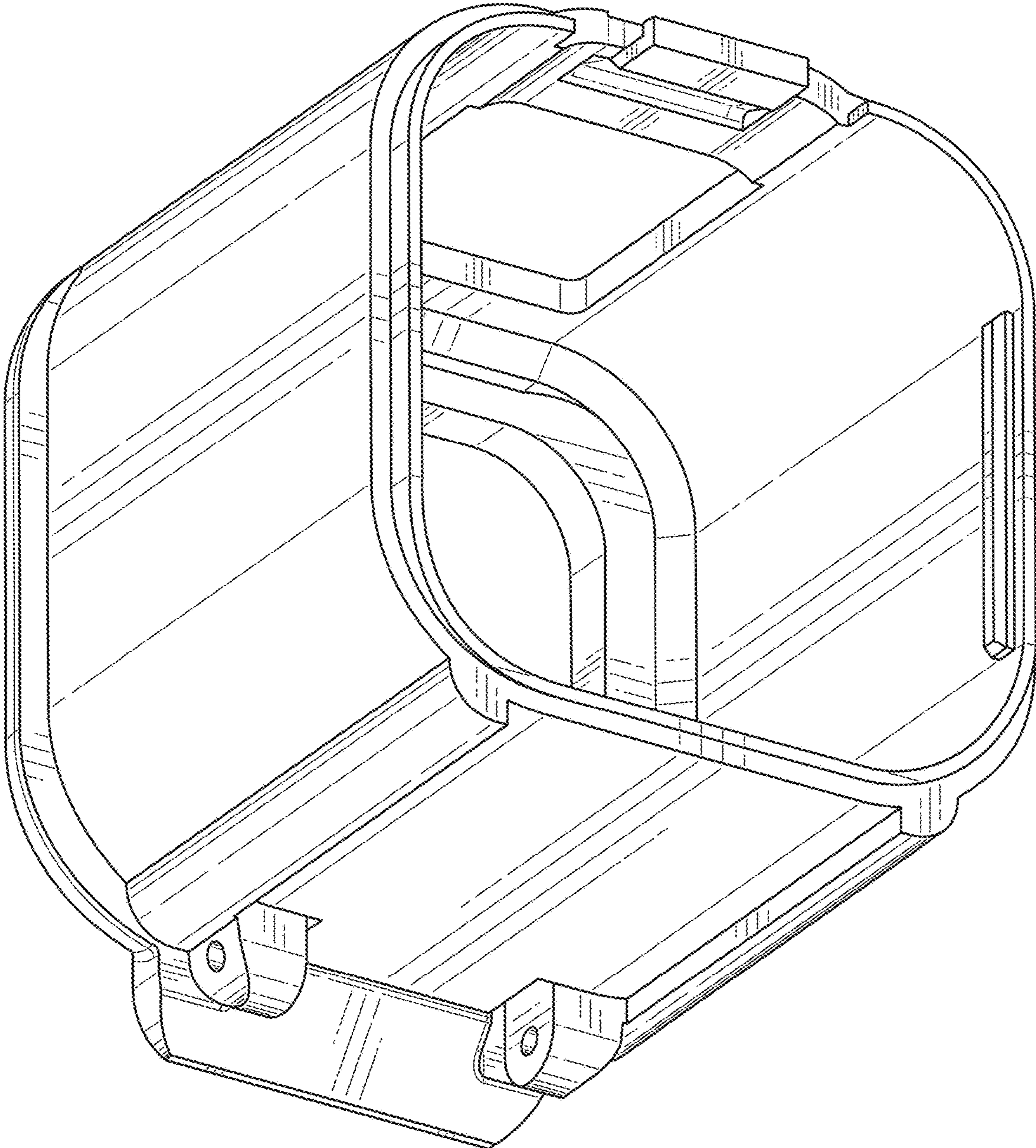


FIG. 11

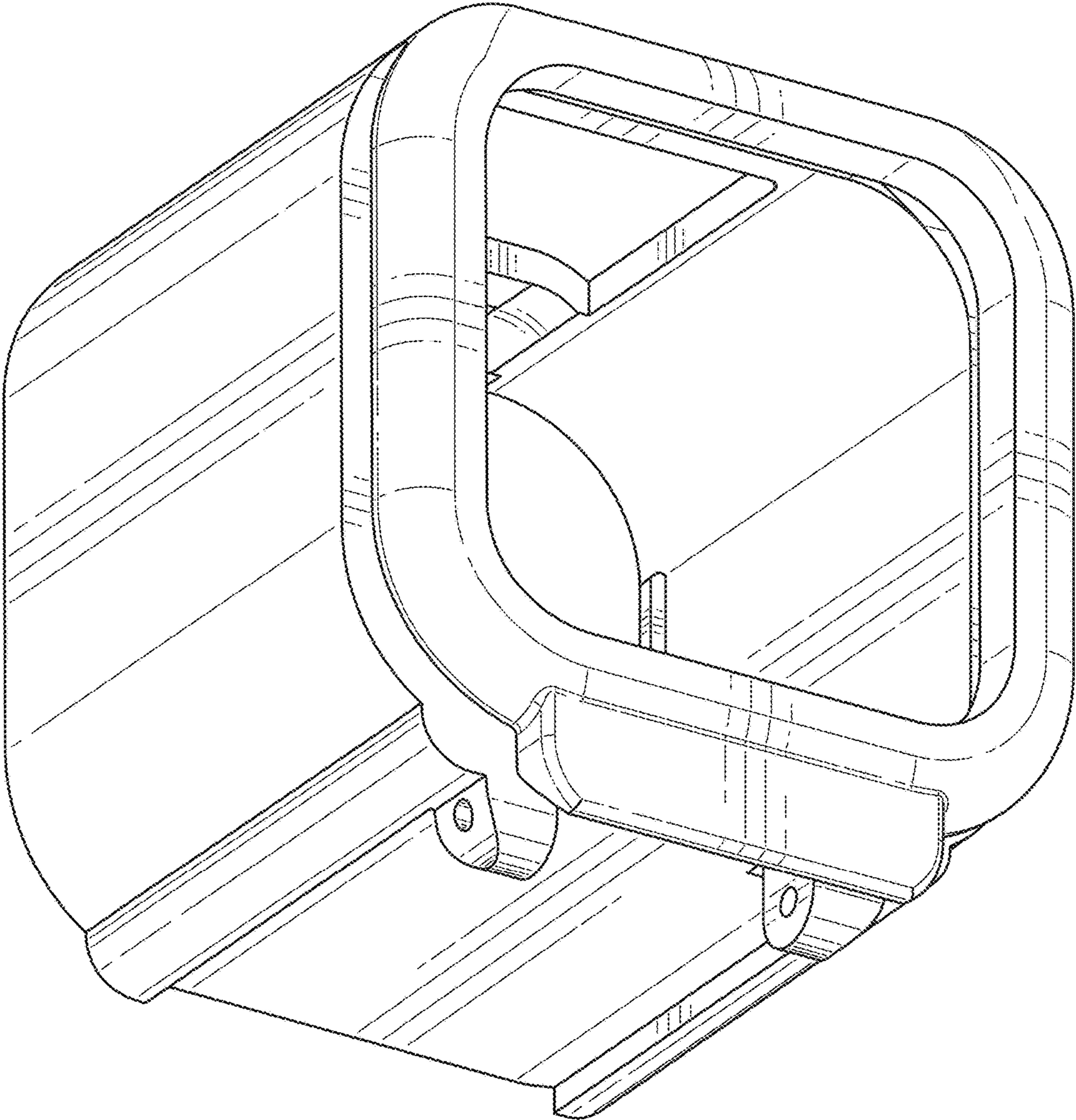


FIG. 12

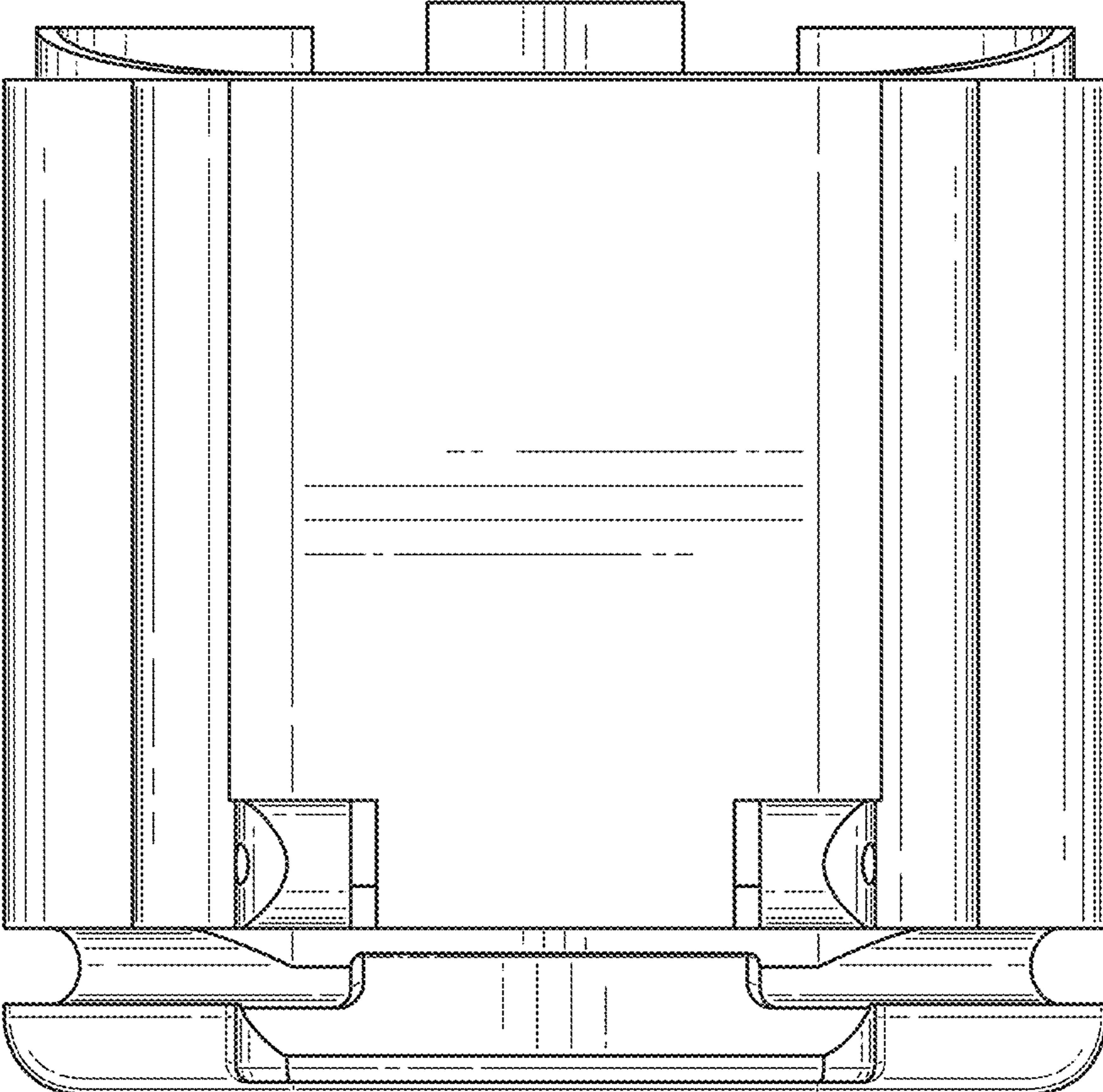


FIG. 13

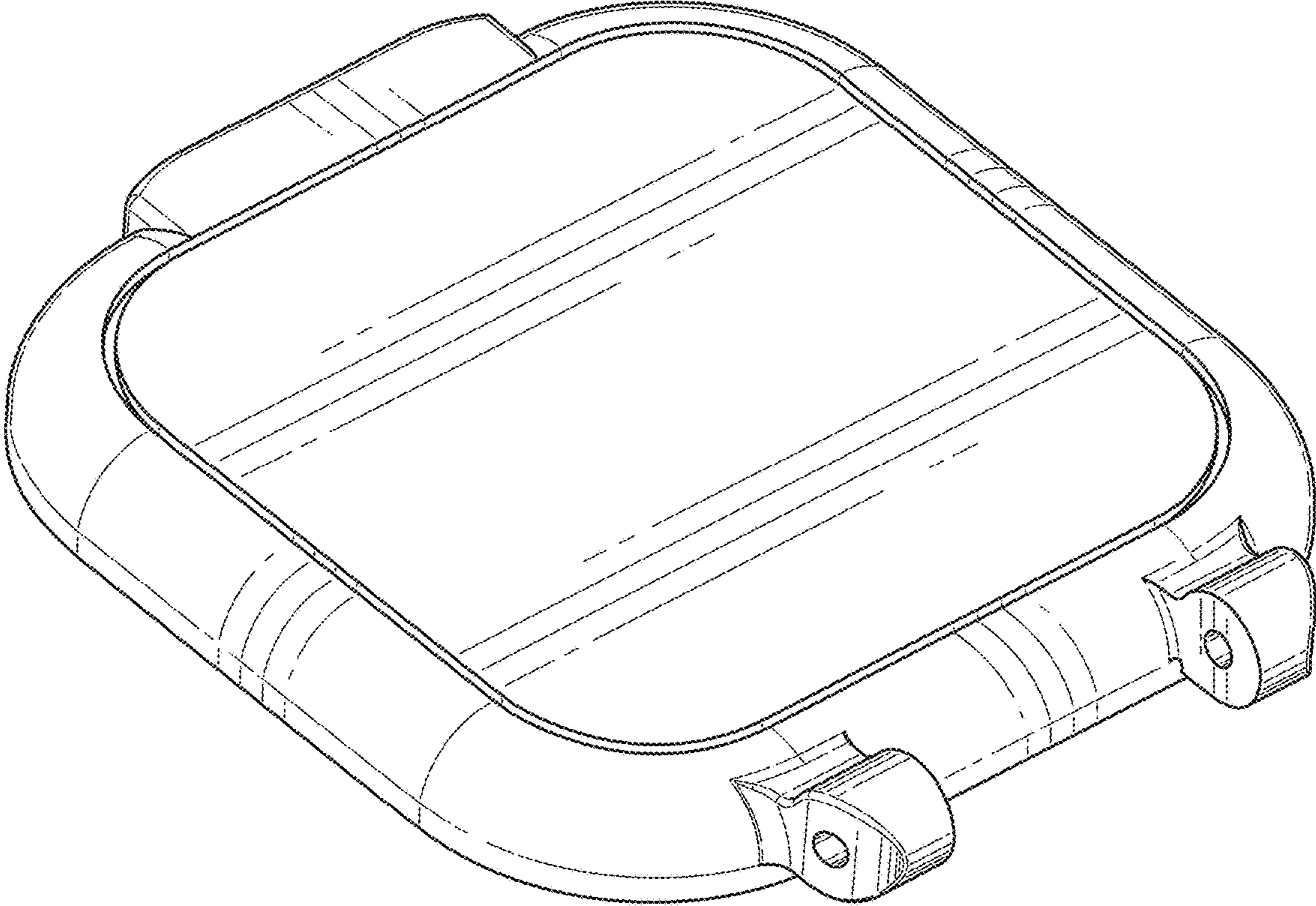


FIG. 14

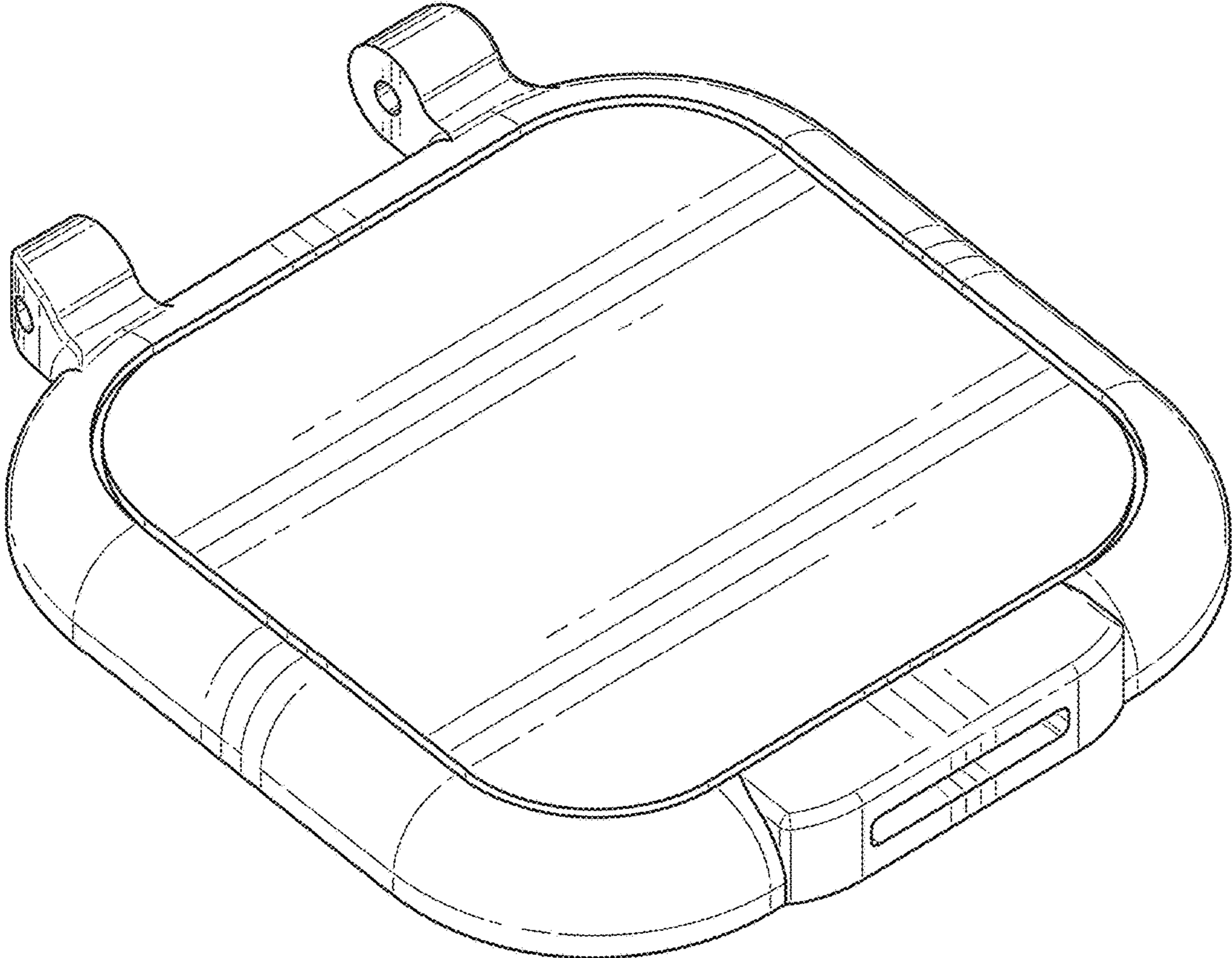


FIG. 15

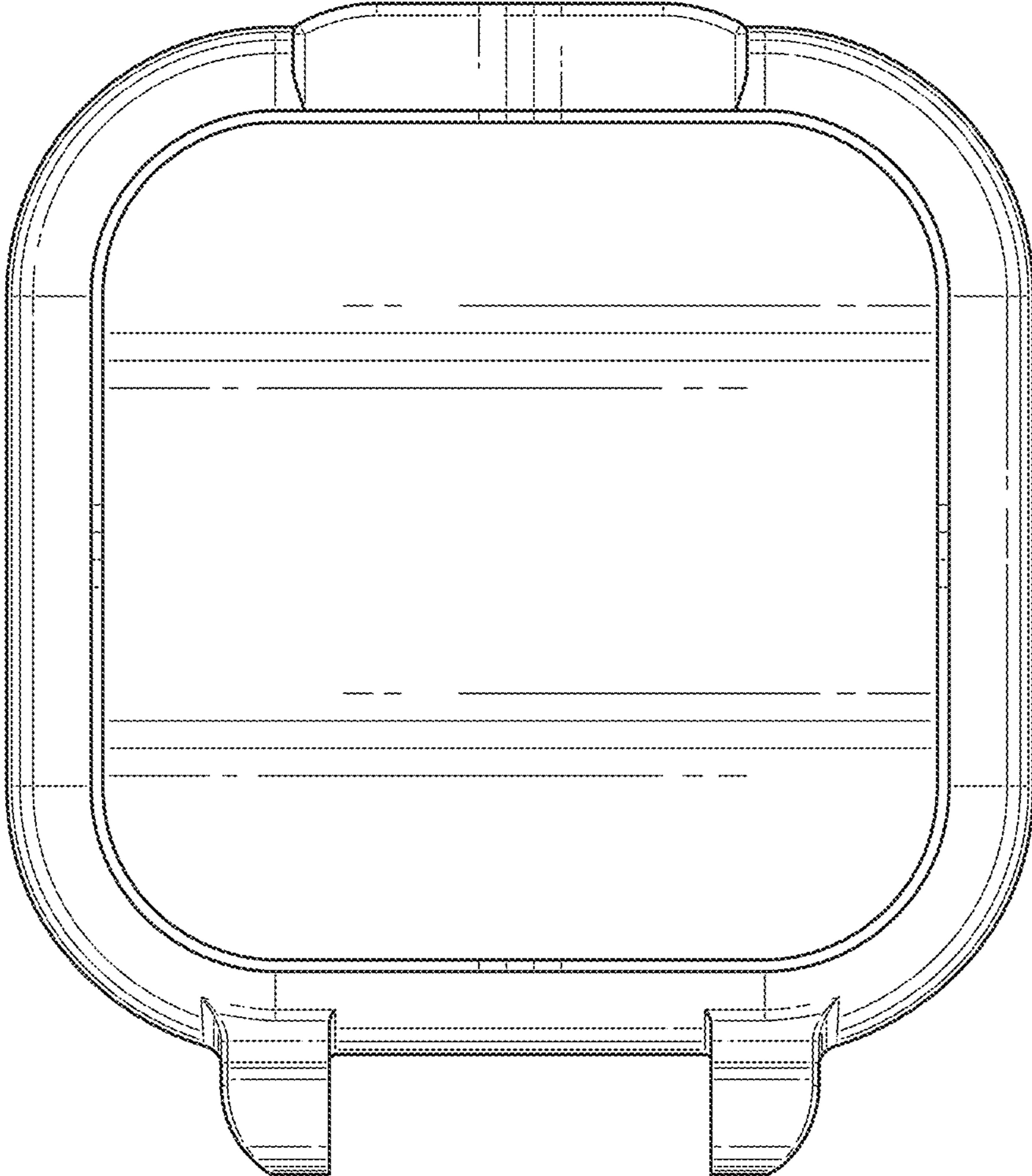


FIG. 16