



US00D848499S

(12) **United States Design Patent**  
**Siminou**

(10) **Patent No.:** **US D848,499 S**

(45) **Date of Patent:** **\*\* \*May 14, 2019**

(54) **VISION AID DEVICE**

(71) Applicant: **ENHANCED VISION SYSTEMS, INC.**, Huntington Beach, CA (US)

(72) Inventor: **Kamran Siminou**, Newport Coast, CA (US)

(73) Assignee: **Freedom Scientific, Inc.**, Clearwater, FL (US)

(\*) Notice: This patent is subject to a terminal disclaimer.

(\*\*) Term: **15 Years**

(21) Appl. No.: **29/613,240**

(22) Filed: **Aug. 8, 2017**

(51) **LOC (11) Cl.** ..... **16-06**

(52) **U.S. Cl.**  
USPC ..... **D16/132**

(58) **Field of Classification Search**  
USPC ..... D16/130, 132, 133; D22/100, 108  
CPC .. F41G 3/08; G02B 23/00; G02B 1/00; G02B 21/00; H04N 5/2259  
See application file for complete search history.

(56) **References Cited**

**U.S. PATENT DOCUMENTS**

D274,915 S *	7/1984	Keil	.....	D16/133
D351,397 S *	10/1994	Dor	.....	D16/130
D397,127 S *	8/1998	Chang	.....	D16/133
D424,083 S *	5/2000	Lee	.....	D16/133

D425,532 S *	5/2000	Lee	.....	D16/133
D425,922 S *	5/2000	Huckenbeck	.....	D16/133
D482,711 S *	11/2003	Kishigami	.....	D16/133
D597,575 S *	8/2009	Steiner	.....	D16/133
D666,654 S *	9/2012	Fischbach	.....	D16/133
D816,749 S *	5/2018	Kung	.....	D16/133
D817,376 S *	5/2018	Vogl	.....	D16/132

\* cited by examiner

*Primary Examiner* — Mark A Goodwin

*Assistant Examiner* — Benjamin M Weeks

(74) *Attorney, Agent, or Firm* — GrayRobinson, P.A.;  
Michael J. Colitz, III

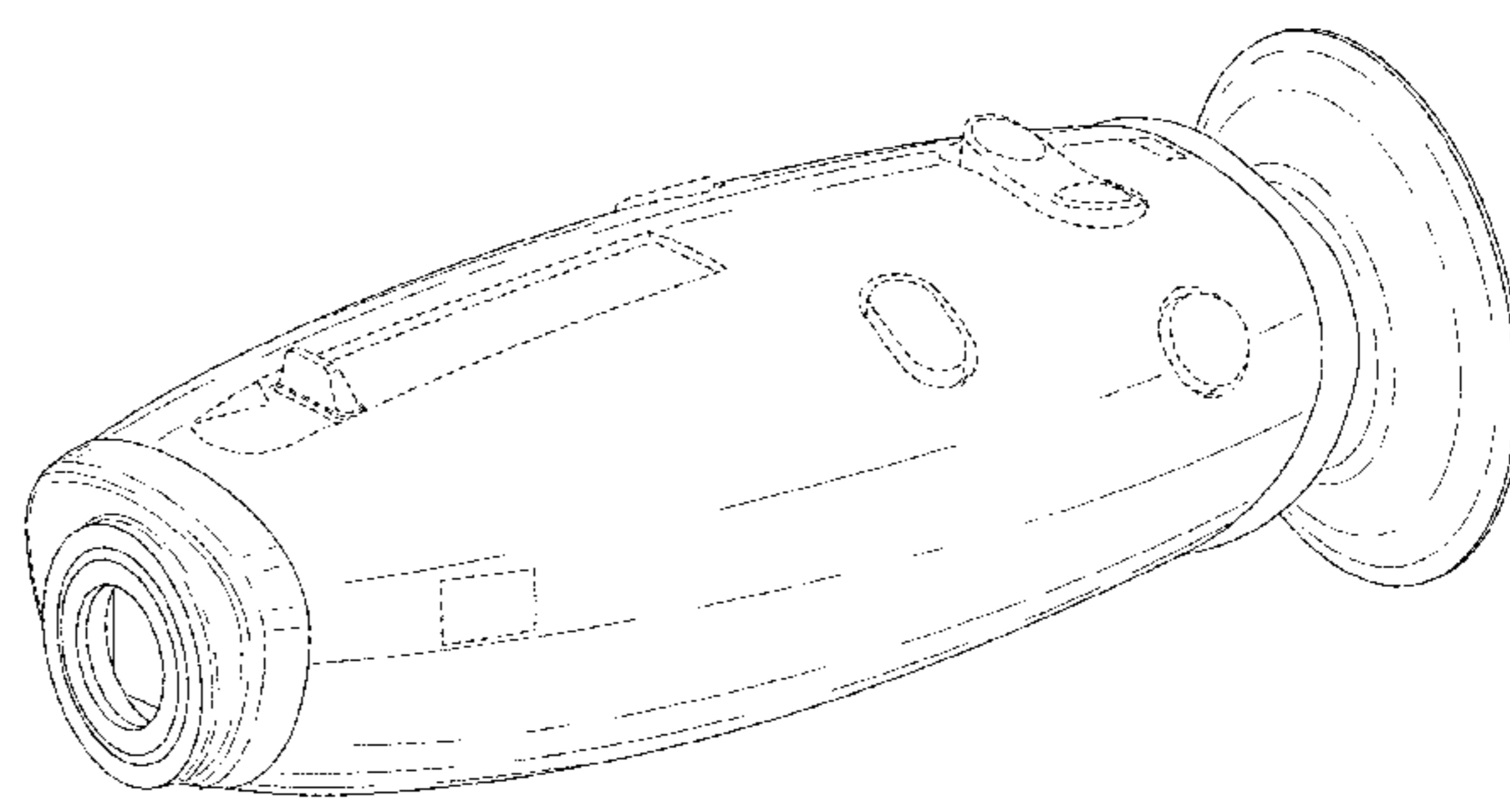
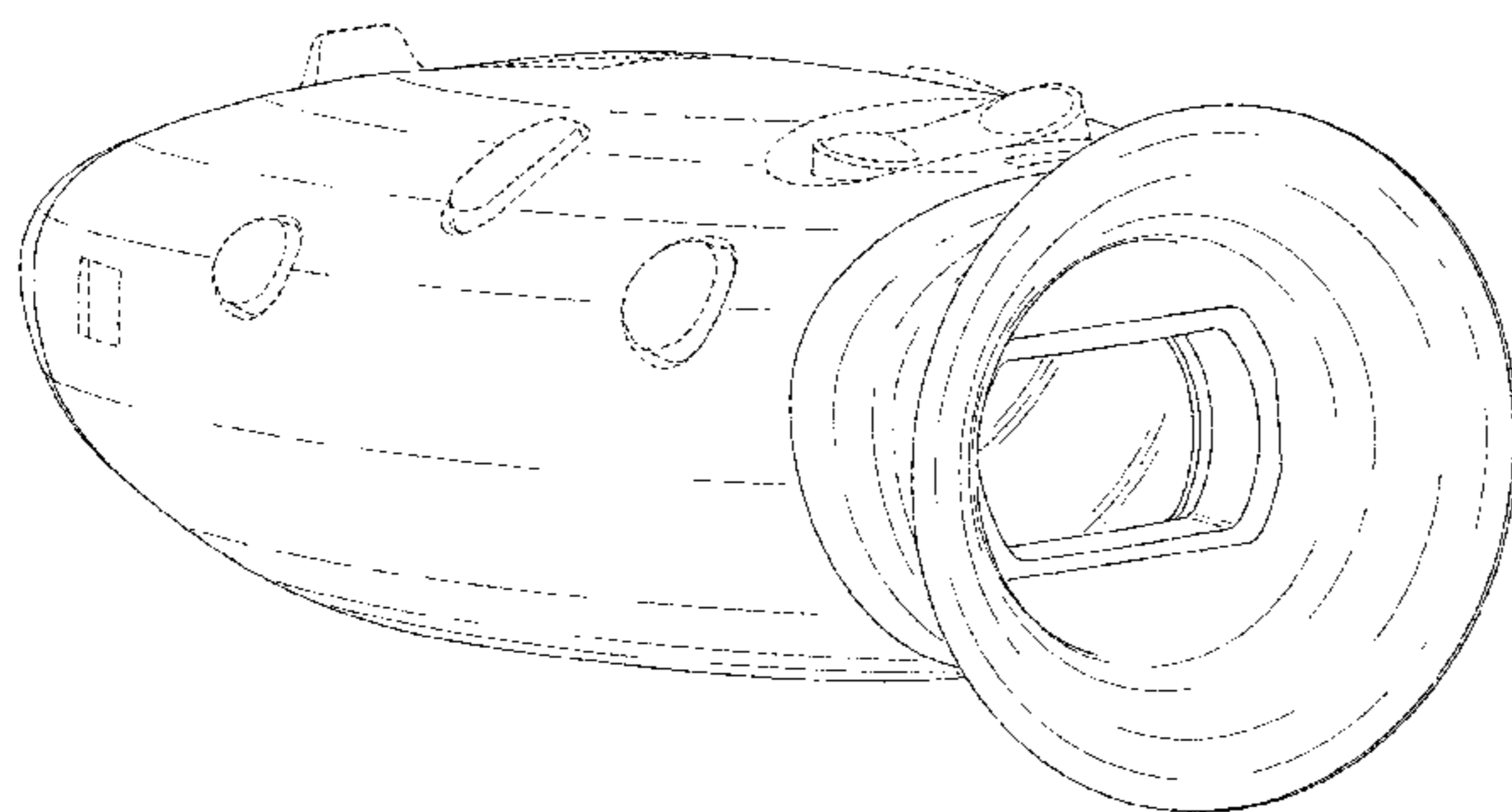
(57) **CLAIM**

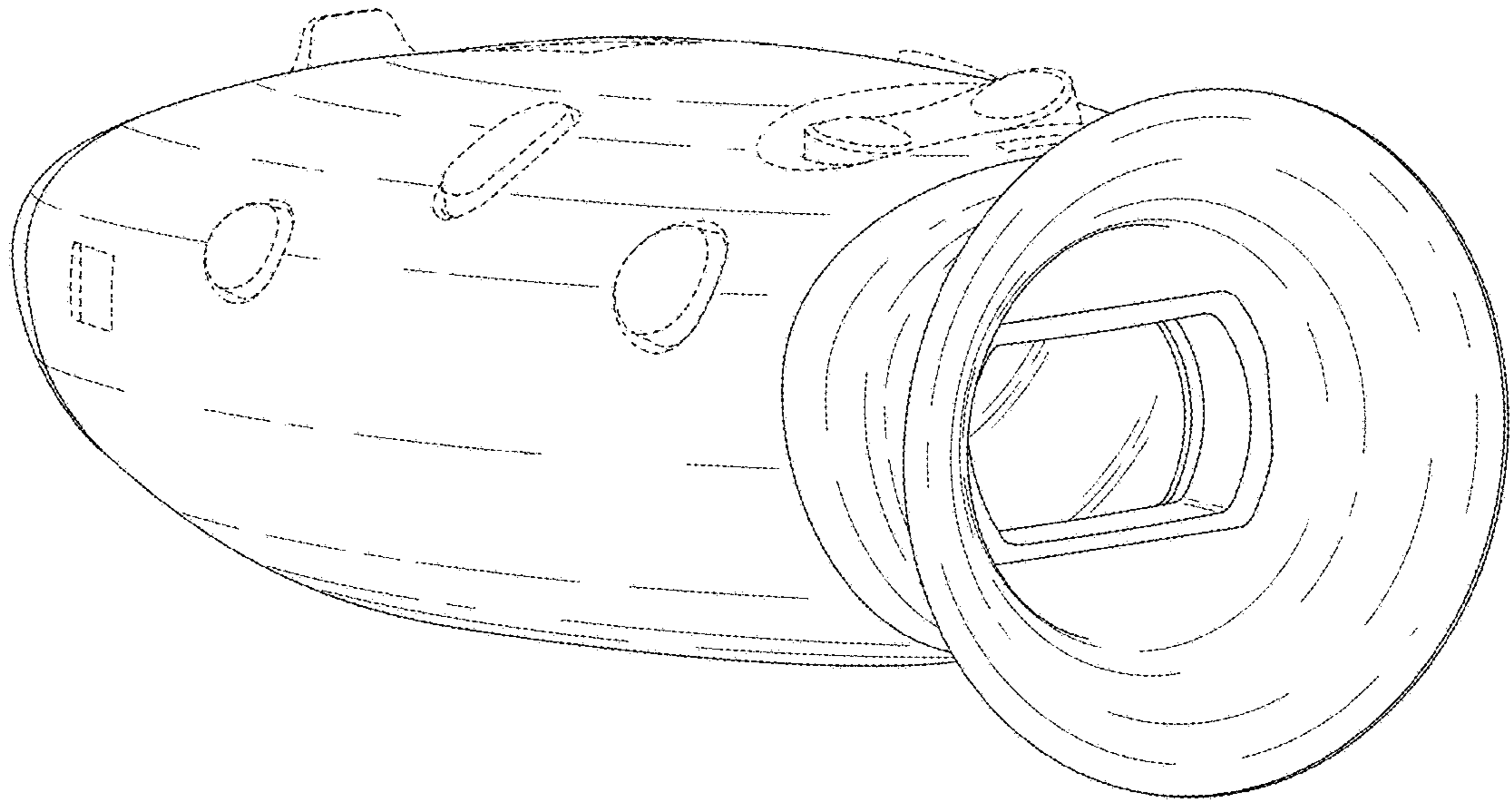
What is claimed is the ornamental design for a vision aid device, as shown and described.

**DESCRIPTION**

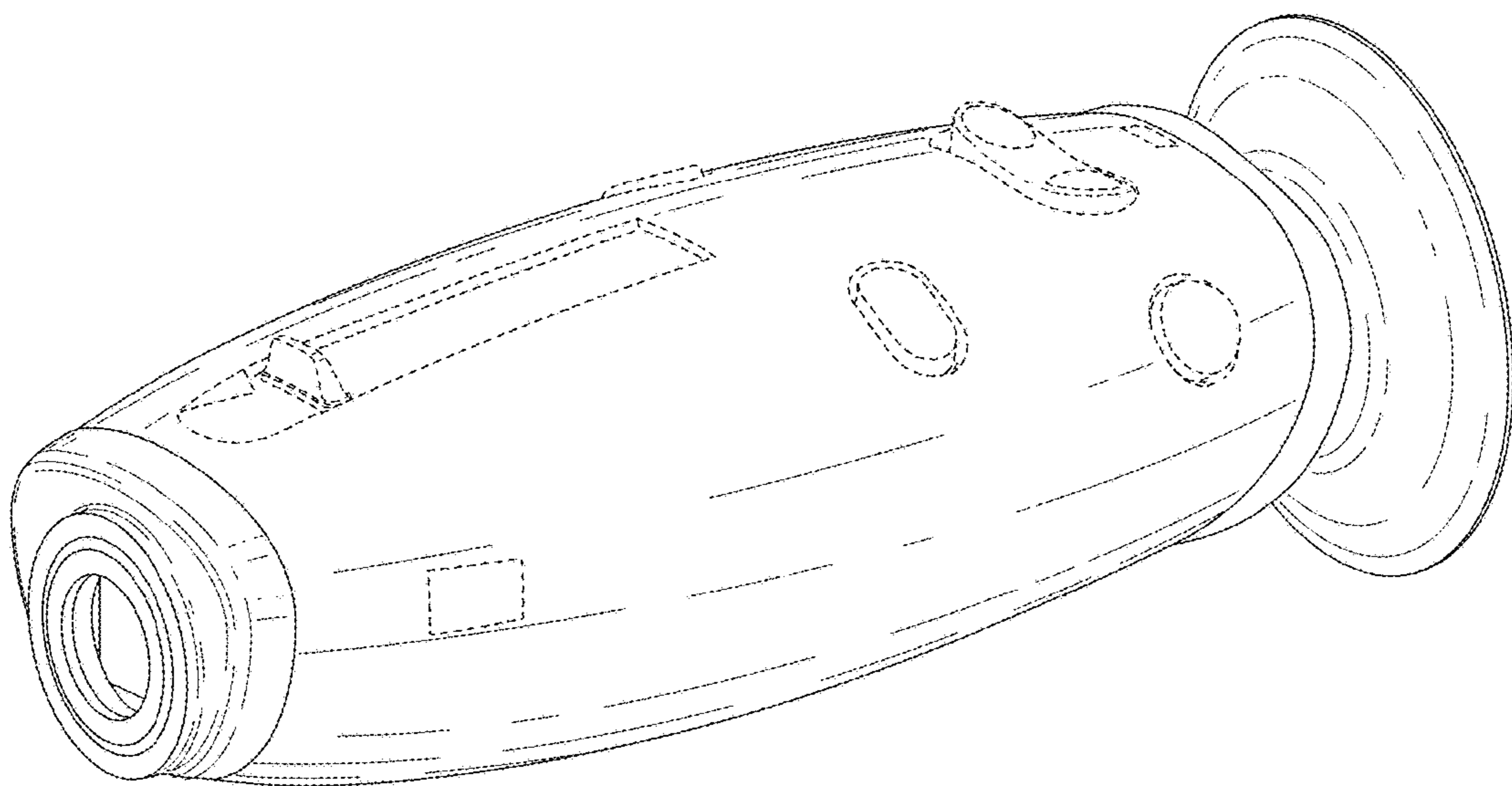
FIG. 1 is a front and left side perspective view of a vision aid device embodying the new design;  
FIG. 2 is a rear and left side perspective view thereof;  
FIG. 3 is a rear and bottom perspective view thereof  
FIG. 4 is a top view thereof;  
FIG. 5 is a bottom view thereof;  
FIG. 6 is a left side view thereof;  
FIG. 7 is a right side view thereof;  
FIG. 8 is a rear view thereof; and,  
FIG. 9 is a front view thereof.  
The broken lines are for the purpose of illustrating portions of the vision aid device that form no part of the claimed design.

**1 Claim, 5 Drawing Sheets**

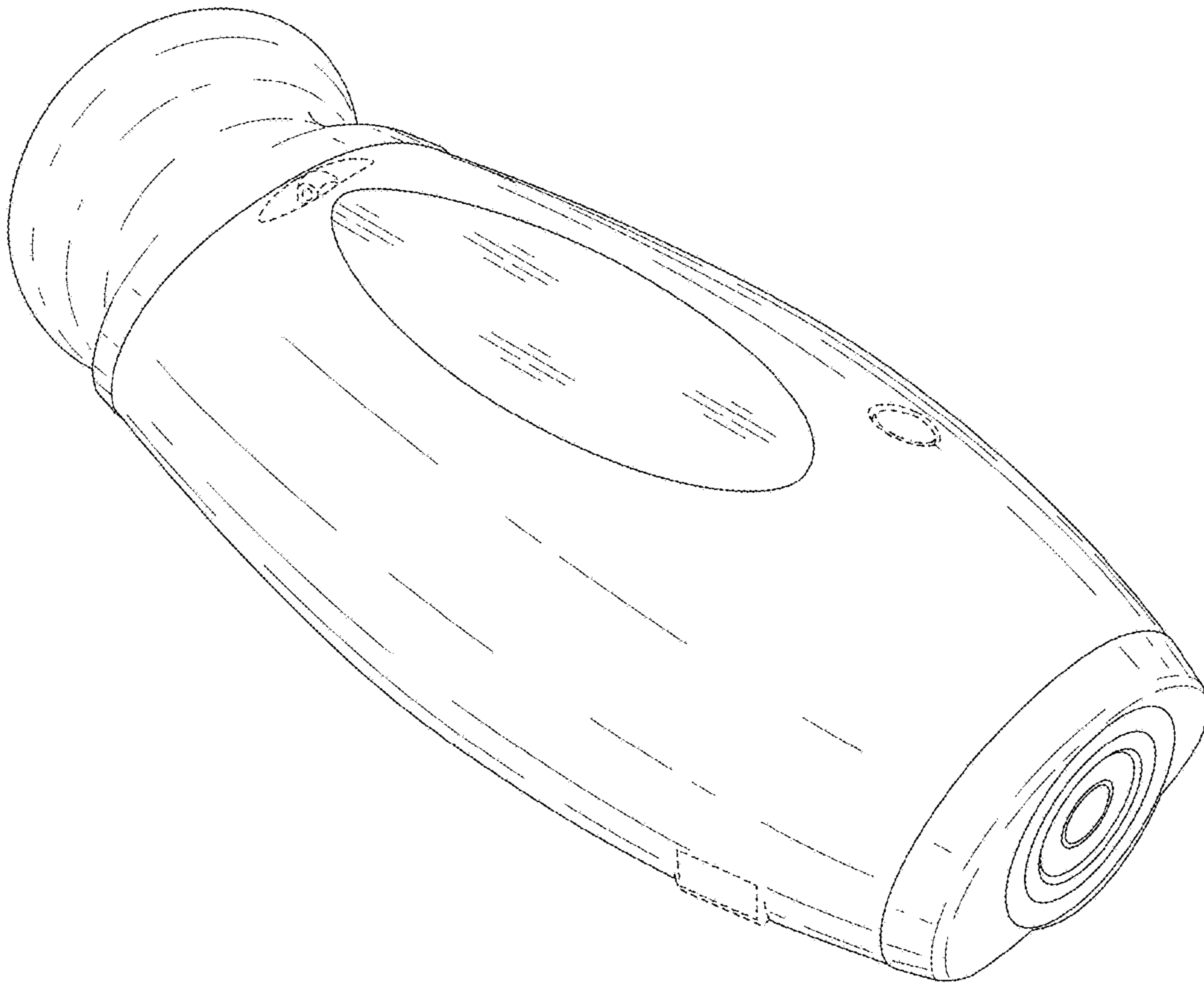




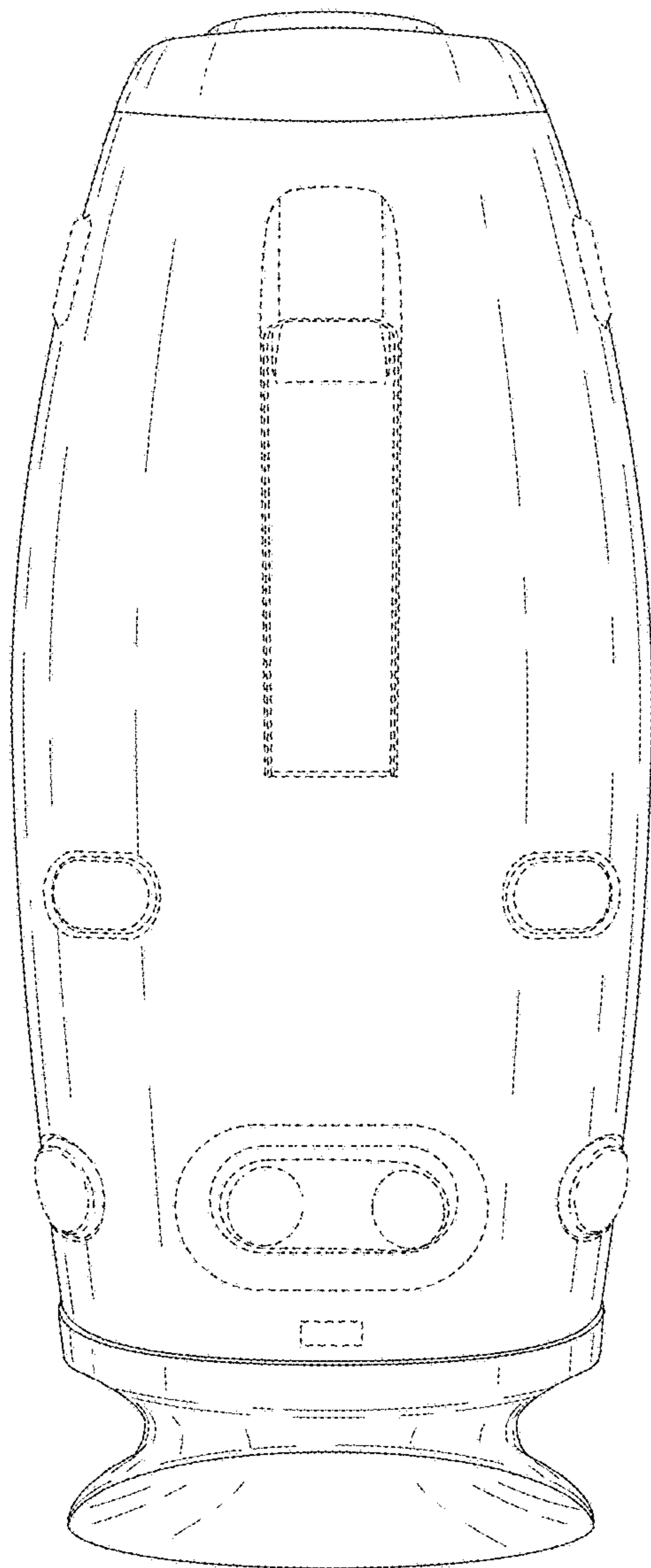
*Fig. 1*



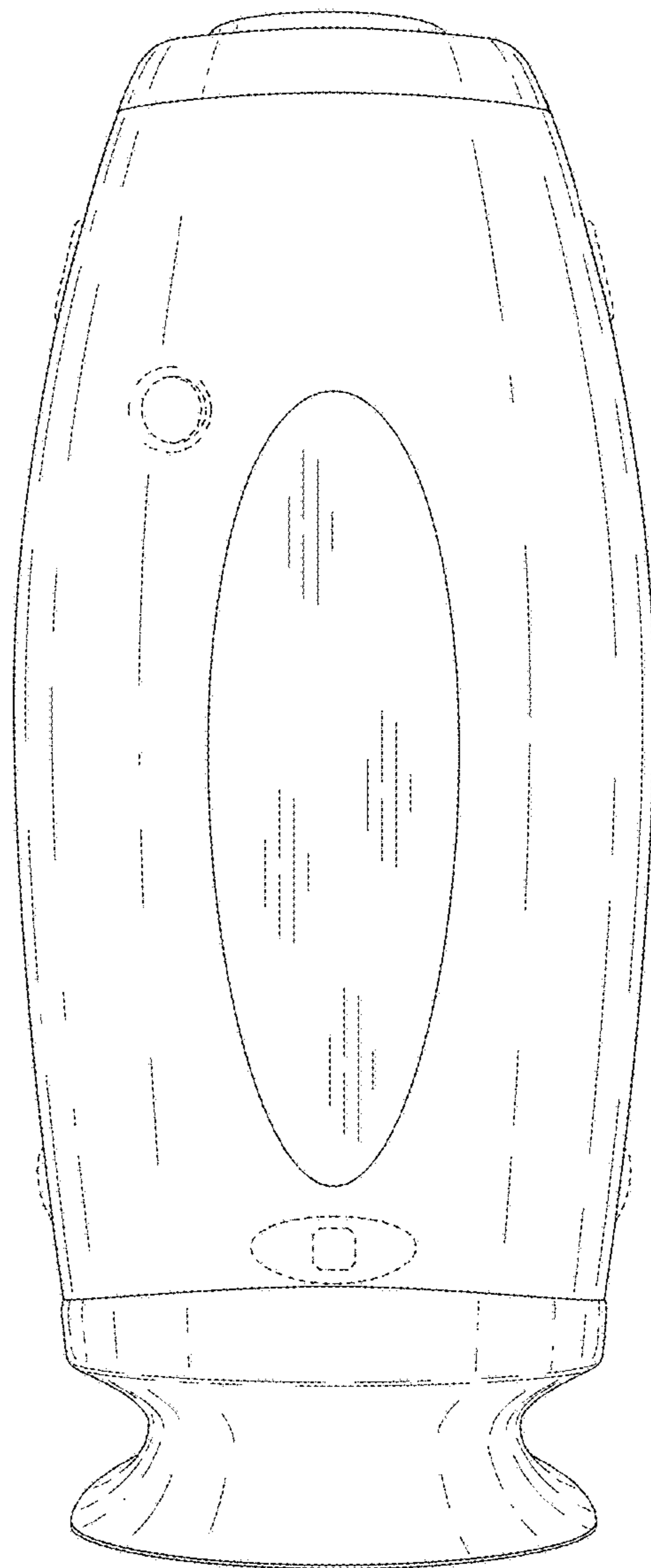
*Fig. 2*



*Fig. 3*

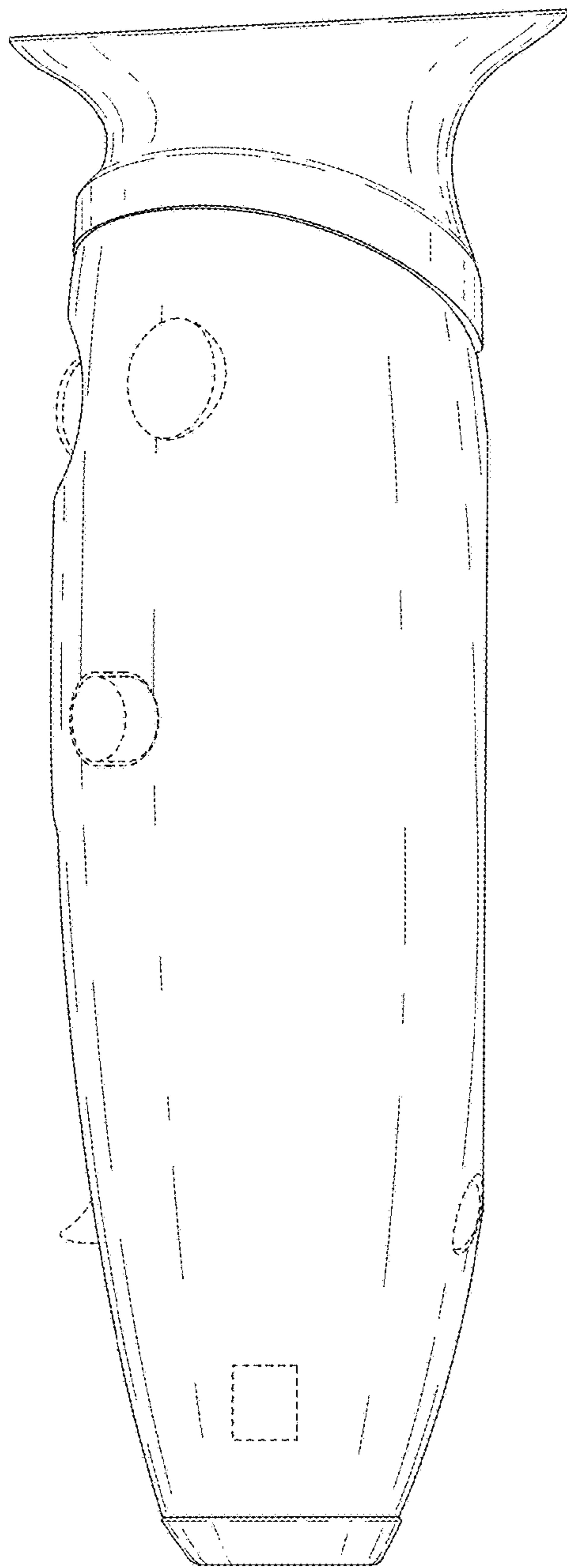


*Fig. 4*

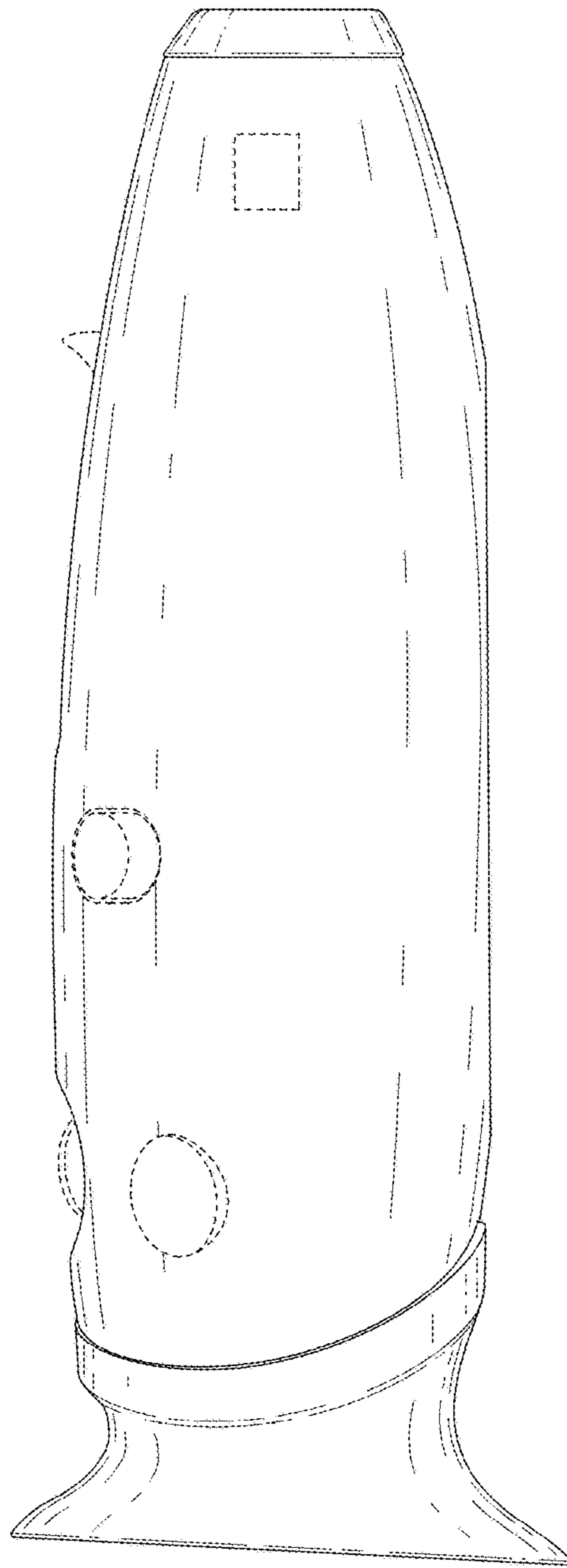


*Fig. 5*

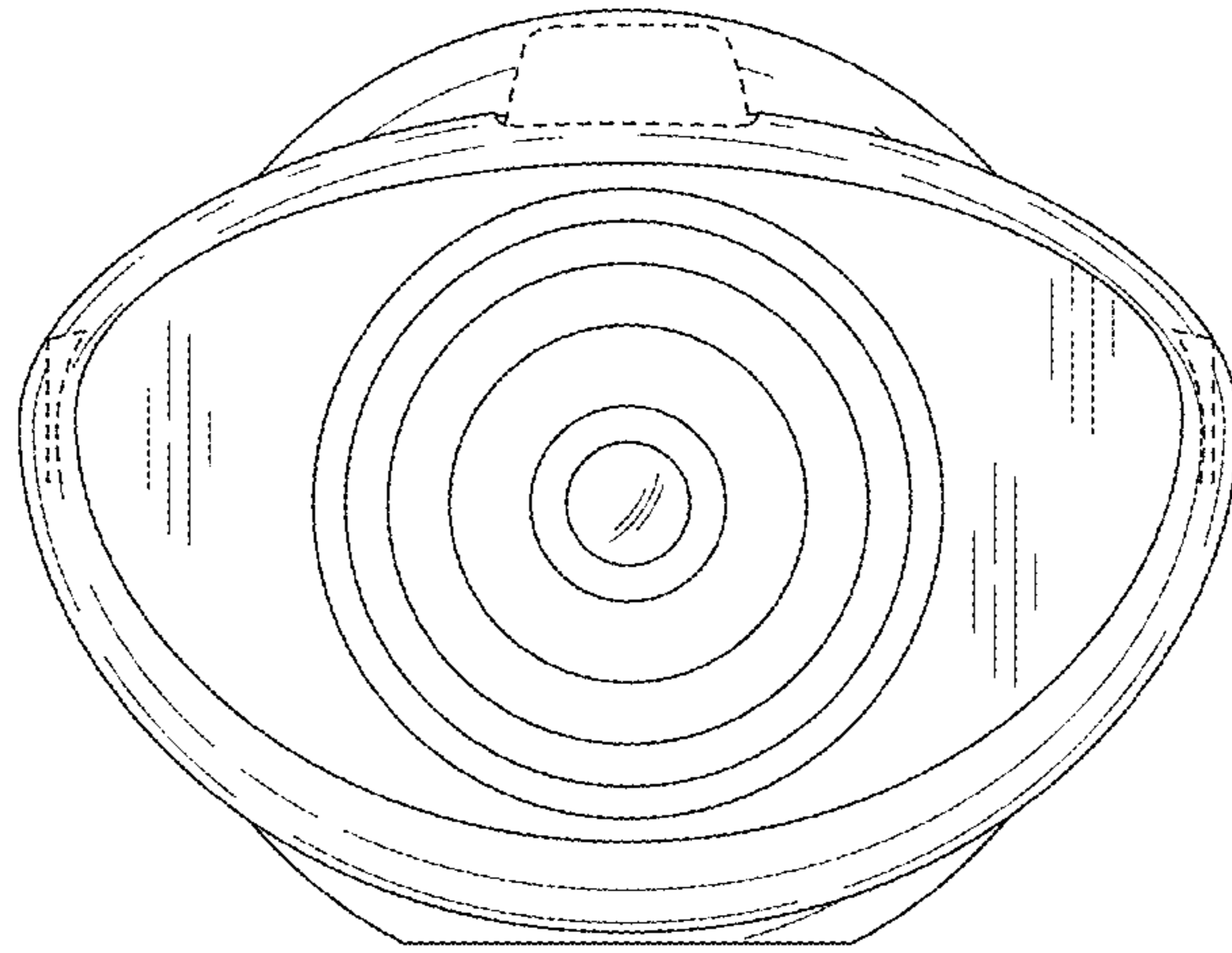




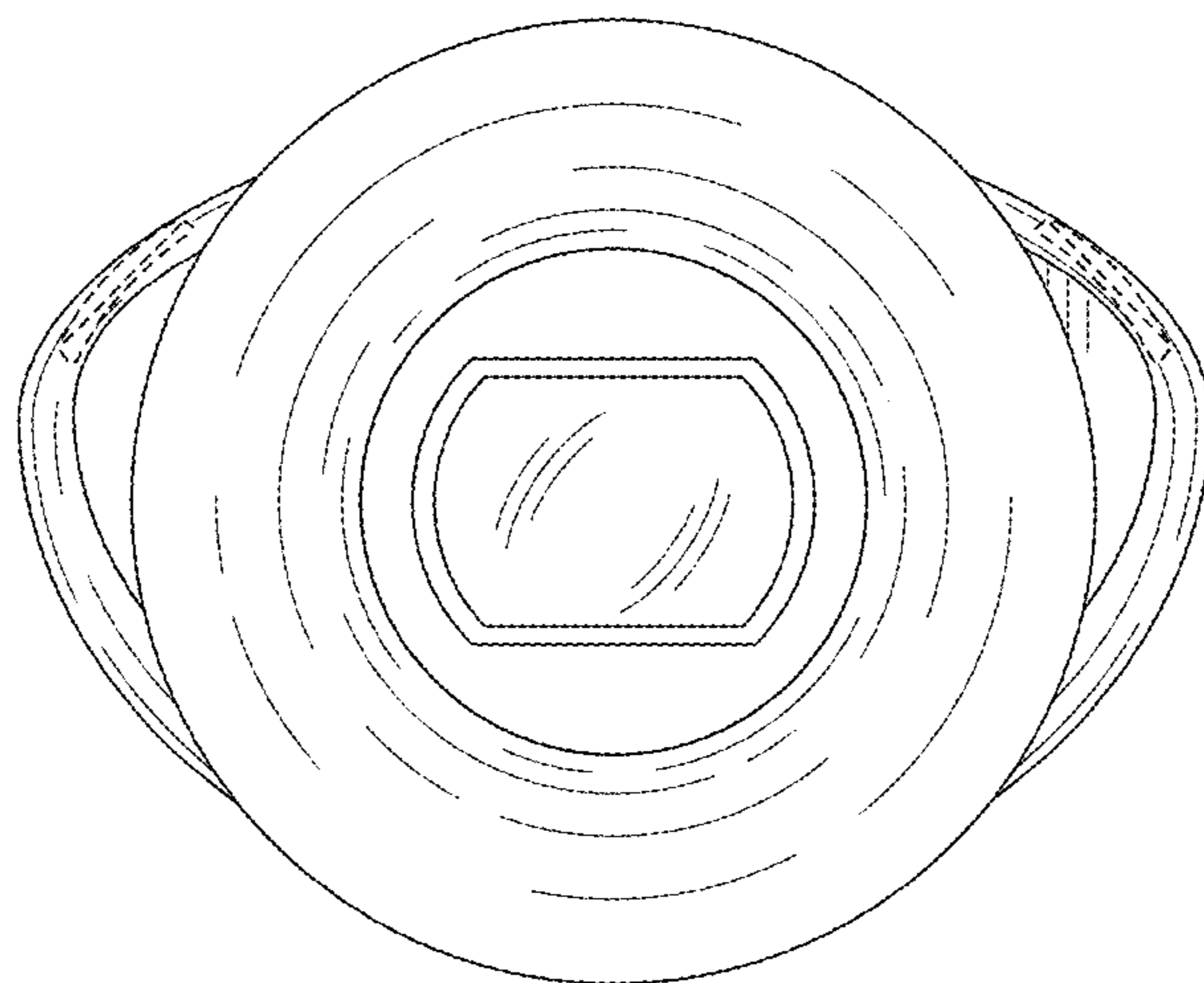
*Fig. 6*



*Fig. 7*



*Fig. 8*



*Fig. 9*