

US00D848498S

(12) **United States Design Patent**
Baer et al.

(10) **Patent No.:** **US D848,498 S**

(45) **Date of Patent:** **** May 14, 2019**

(54) **MOVABLE BARRIER OPERATOR DEVICE**

(71) Applicant: **The Chamberlain Group, Inc.**, Oak Brook, IL (US)

(72) Inventors: **Matthew James Baer**, Forest Park, IL (US); **Jeremy Abel**, West Dundee, IL (US); **Corey Jevon Norman**, Villa Park, IL (US); **Mark Edward Miller**, Oswego, IL (US); **Sapta Gireesh Pudipeddi**, Schaumburg, IL (US)

(73) Assignee: **The Chamberlain Group, Inc.**, Oak Brook, IL (US)

(**) Term: **15 Years**

(21) Appl. No.: **29/635,388**

(22) Filed: **Jan. 30, 2018**

(51) **LOC (11) Cl.** **15-09**

(52) **U.S. Cl.**
USPC **D15/148**; D15/199; D13/168

(58) **Field of Classification Search**
USPC D13/168, 184, 199; D14/218; D15/148, D15/199; D10/104.1

(Continued)

(56) **References Cited**

U.S. PATENT DOCUMENTS

D221,226 S 7/1971 Dercoli
D221,859 S 9/1971 Dercoli

(Continued)

Primary Examiner — Selina Sikder

(74) *Attorney, Agent, or Firm* — Fitch, Even, Tabin & Flannery LLP

(57) **CLAIM**

We claim the ornamental design for movable barrier operator device, as shown and described.

DESCRIPTION

FIG. 1 is a bottom perspective view of the movable barrier operator device showing a first embodiment of our new design;

FIG. 2 is a top perspective view thereof;

FIG. 3 is a front elevation view thereof;

FIG. 4 is a rear elevation view thereof;

FIG. 5 is a bottom plan view thereof;

FIG. 6 is a top plan view thereof;

FIG. 7 is a right side elevation view thereof;

FIG. 8 is a left side elevation view thereof;

FIG. 9 is a bottom perspective view of the movable barrier operator device showing a second embodiment of our new design;

FIG. 10 is a top perspective view thereof;

FIG. 11 is a front elevation view thereof;

FIG. 12 is a rear elevation view thereof;

FIG. 13 is a bottom plan view thereof;

FIG. 14 is a top plan view thereof;

FIG. 15 is a right side elevation view thereof;

FIG. 16 is a left side elevation view thereof;

FIG. 17 is a bottom perspective view of the movable barrier operator device showing a third embodiment of our new design;

FIG. 18 is a top perspective view thereof;

FIG. 19 is a front elevation view thereof;

FIG. 20 is a rear elevation view thereof;

FIG. 21 is a bottom plan view thereof;

FIG. 22 is a top plan view thereof;

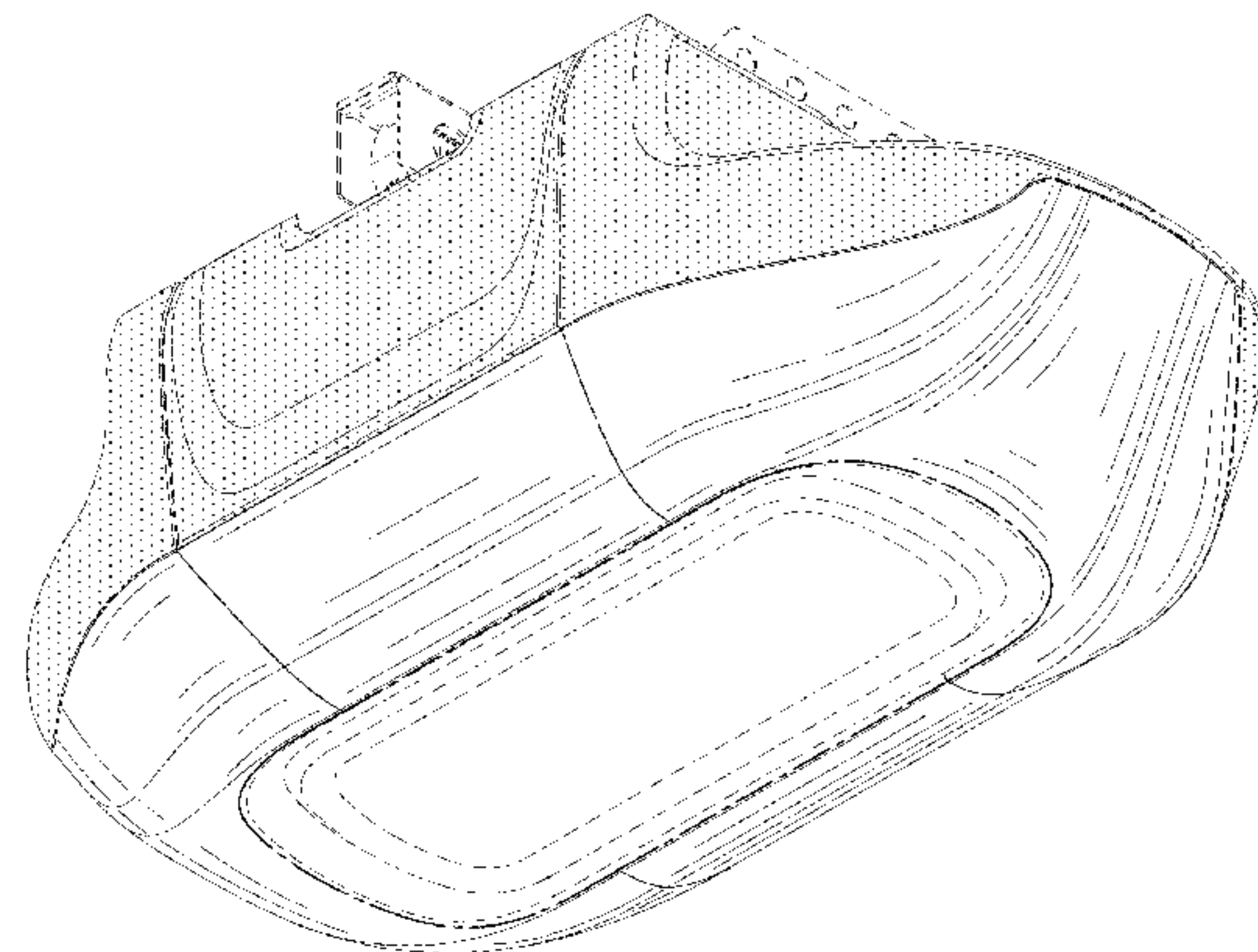
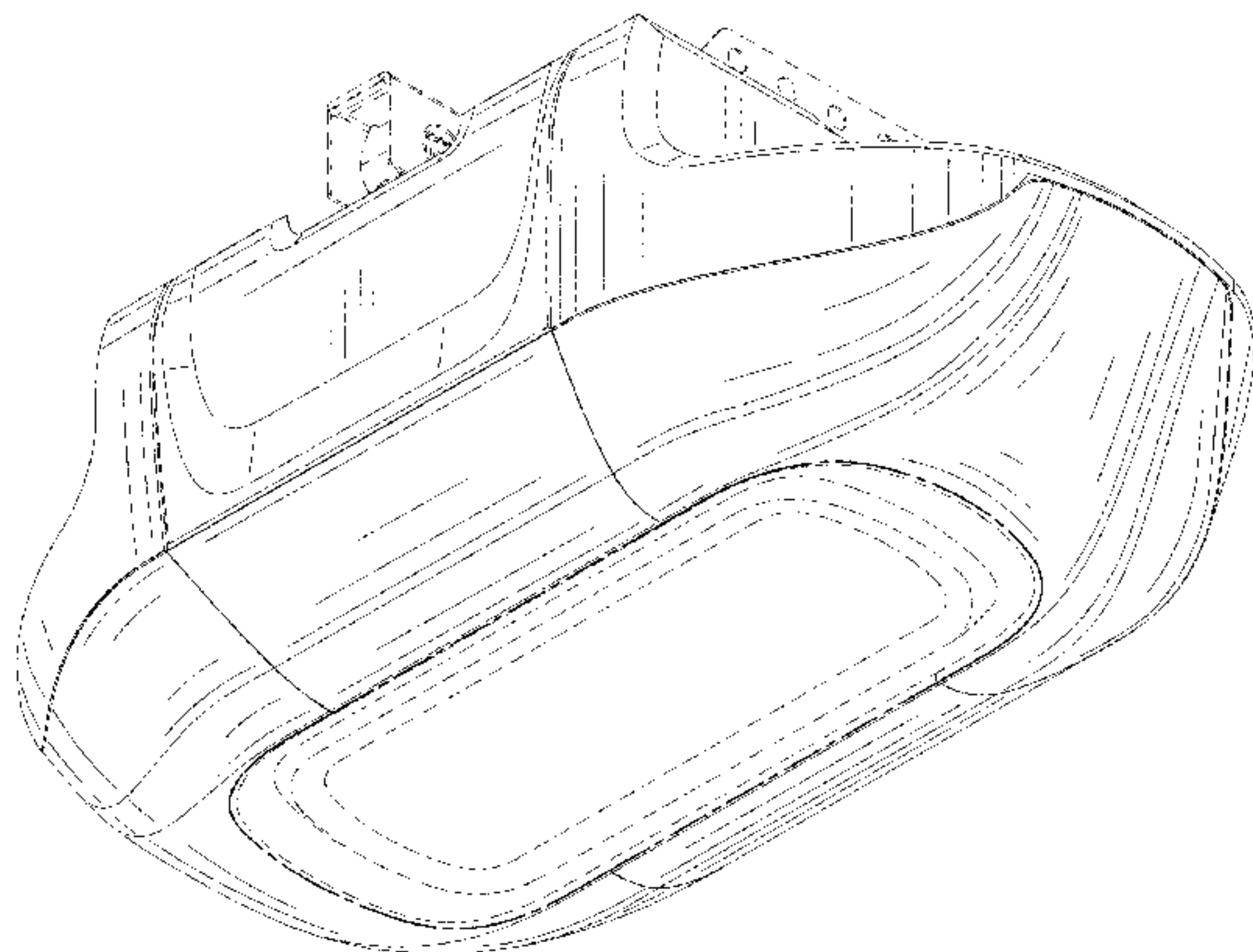
FIG. 23 is a right side elevation view thereof; and,

FIG. 24 is a left side elevation view thereof.

The broken lines in the drawings depict portions of the movable barrier operator device that form no part of the claimed design. The dash-dot-dash broken lines immediately adjacent to the shaded surfaces form a boundary of the claim and form no part thereof.

In the drawings, the stippled shading represents surfaces having the contrast in appearance shown.

1 Claim, 24 Drawing Sheets



(58) **Field of Classification Search**
 CPC E05F 15/43; E05F 15/60; E05F 15/668;
 E05F 15/68; G07C 9/00896; H05K
 5/0221
 See application file for complete search history.

(56) **References Cited**
 U.S. PATENT DOCUMENTS

4,463,292 A 7/1984 Engelmann
 D292,792 S 11/1987 Henry
 4,827,667 A 5/1989 Jarvis
 D335,875 S 5/1993 Chen
 5,357,183 A 10/1994 Lin
 D377,459 S 1/1997 Dzierzk
 D386,163 S 11/1997 Cheng
 D402,300 S 12/1998 Ergun
 D404,746 S 1/1999 Hormann
 5,903,226 A 5/1999 Suman
 D413,055 S 8/1999 Mullet
 D421,031 S 2/2000 Mullet
 D432,551 S 10/2000 Luke
 D434,054 S 11/2000 Luke
 D434,785 S 12/2000 Luke
 D436,877 S 1/2001 Brennan
 D440,043 S 4/2001 Miller
 D450,701 S 11/2001 Koeller
 6,374,543 B1 4/2002 Bishai
 6,377,173 B1 4/2002 Desai
 D463,466 S 9/2002 Hoemann
 D466,141 S 11/2002 Mullet
 D468,756 S 1/2003 Coullahan
 D469,114 S 1/2003 Coullahan
 D469,115 S 1/2003 Coullahan
 6,525,645 B2 2/2003 King
 6,563,278 B2 5/2003 Roman
 D477,619 S 7/2003 Coullahan
 6,595,569 B1 7/2003 McKinney
 D478,605 S 8/2003 Guzman
 D486,841 S 2/2004 Reedy
 D488,138 S 4/2004 Parsadayan
 D490,829 S 6/2004 Coullahan
 D491,208 S 6/2004 Coullahan
 D492,333 S 6/2004 Guzman
 D493,149 S 7/2004 Patton

D493,477 S 7/2004 Reedy
 D495,665 S 9/2004 Stekelenburg
 D497,880 S 11/2004 Apotheloz
 D500,066 S 12/2004 Coullahan
 D500,747 S 1/2005 Gavel
 D501,643 S * 2/2005 Strand D10/104.1
 D506,485 S 6/2005 Guzman
 D509,481 S 9/2005 Murtaugh
 D513,022 S 12/2005 Moe
 D514,461 S * 2/2006 Harju D10/104.1
 D519,138 S 4/2006 Guzman
 D542,235 S 5/2007 Rashid
 7,215,238 B2 5/2007 Buck
 7,378,760 B2 * 5/2008 Olmsted E05F 15/668
 307/115
 D581,437 S 11/2008 Randazzo
 D589,906 S 4/2009 Tupinier
 D667,381 S 9/2012 Rolli
 8,976,006 B2 3/2015 Krupke
 D741,817 S 10/2015 Paredes
 D741,818 S 10/2015 Paredes
 D742,766 S * 11/2015 Olivieri D10/65
 D750,575 S 3/2016 Peterson
 D778,184 S * 2/2017 Kikstra D10/106.6
 D797,584 S * 9/2017 Venth D10/65
 2004/0020612 A1 2/2004 Bosio
 2004/0246721 A1 * 12/2004 Hoermann F21V 33/006
 362/253
 2005/0254194 A1 * 11/2005 Olmsted E05F 15/668
 361/115
 2006/0265956 A1 11/2006 Angiuli
 2007/0013477 A1 1/2007 Fitzgibbon
 2007/0046231 A1 3/2007 Mullet
 2007/0188120 A1 8/2007 Mullet
 2007/0294961 A1 12/2007 Reed
 2010/0242369 A1 9/2010 Laird
 2013/0027181 A1 1/2013 King
 2013/0038183 A1 * 2/2013 Chen E05F 15/668
 310/75 R
 2014/0320263 A1 10/2014 Fan
 2014/0368322 A1 12/2014 Mullet
 2015/0275564 A1 * 10/2015 Rosenthal E05F 15/77
 700/275
 2017/0295658 A1 * 10/2017 Whitmire H05K 5/0247

* cited by examiner

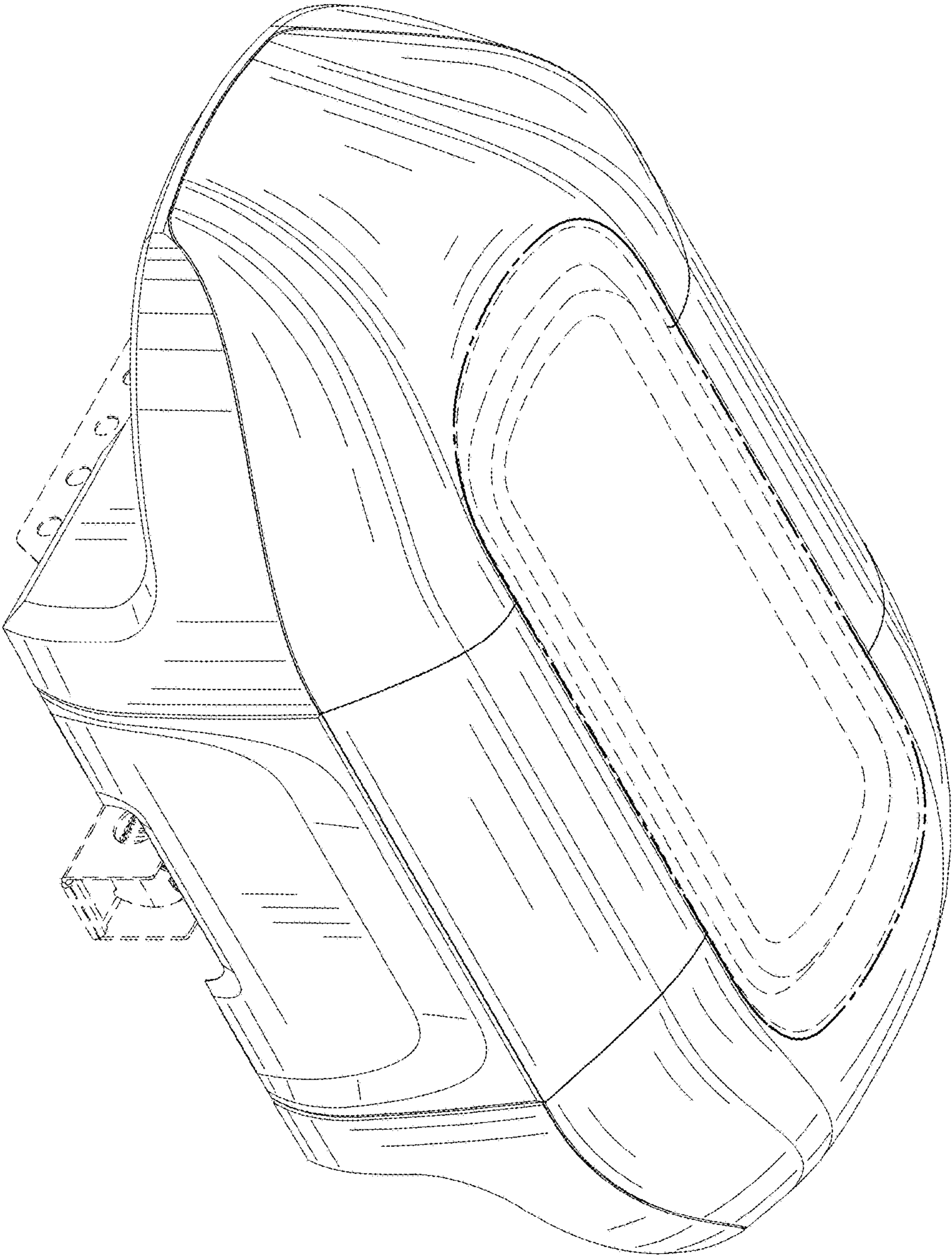


FIG. 1

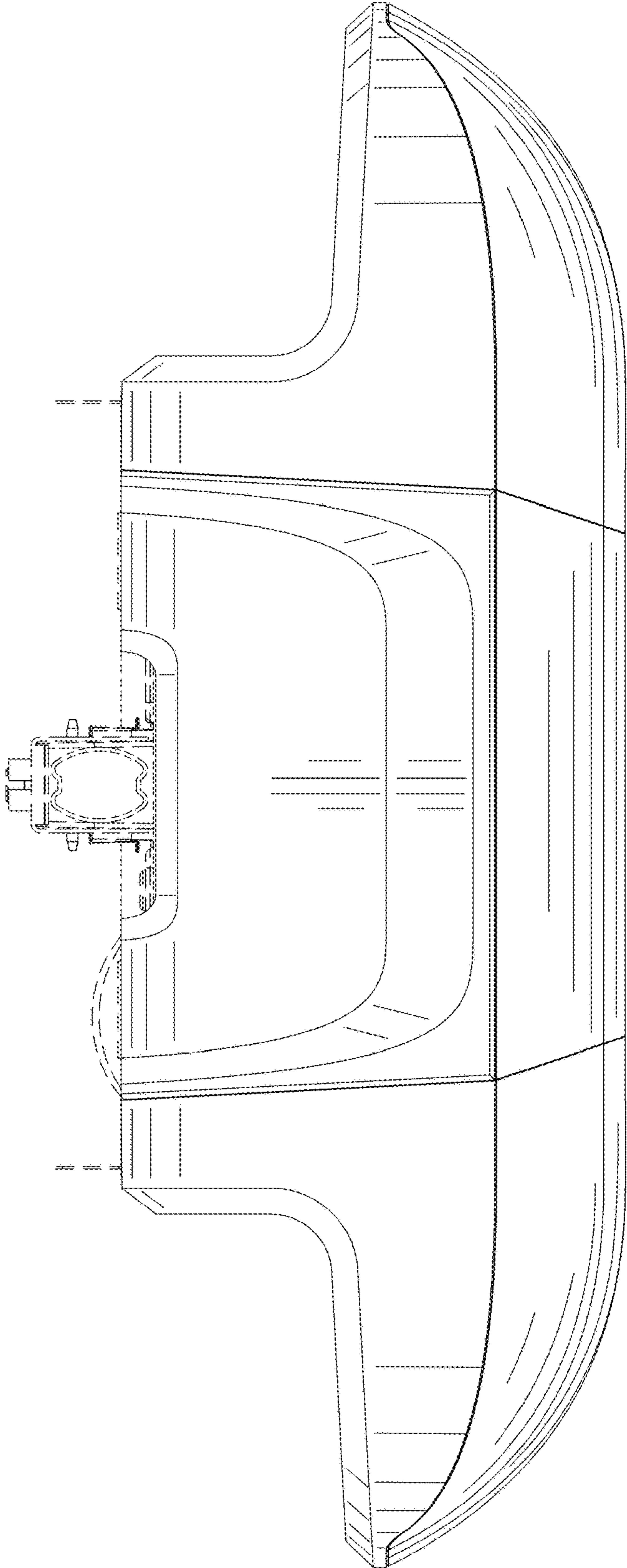


FIG. 3

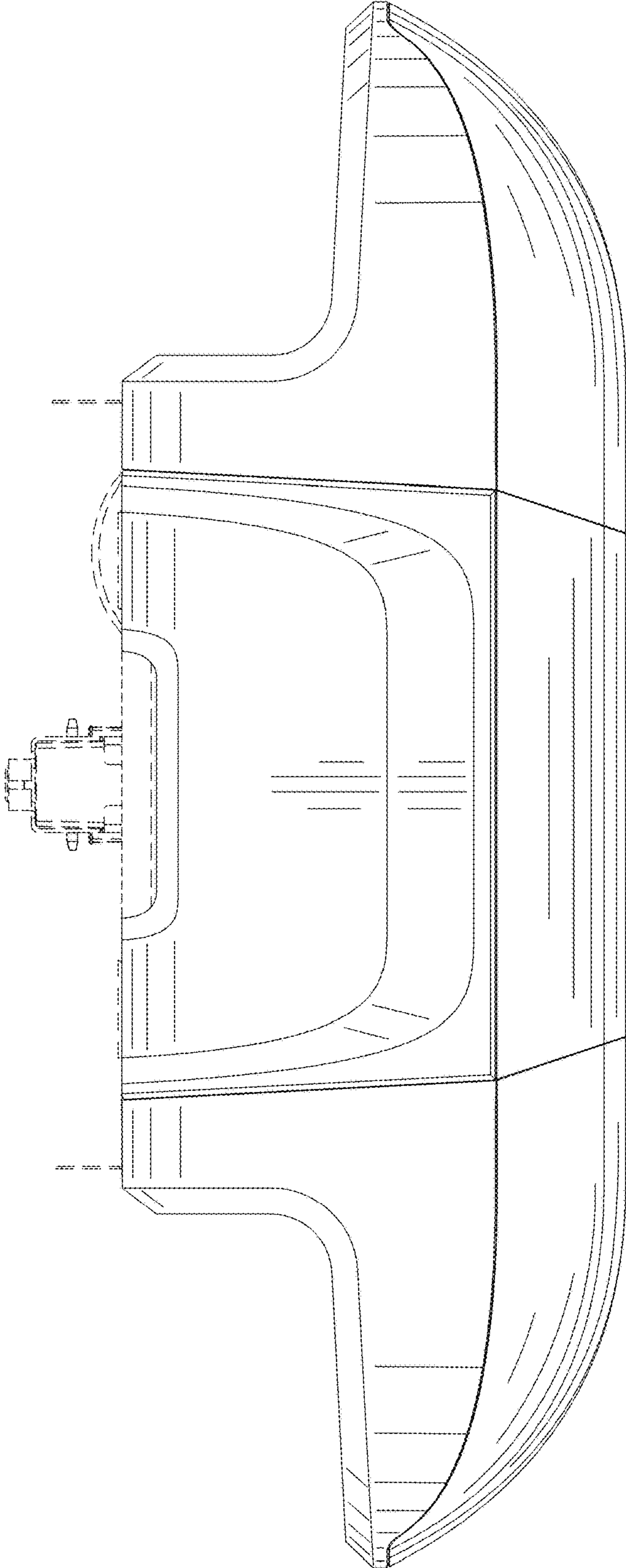


FIG. 4

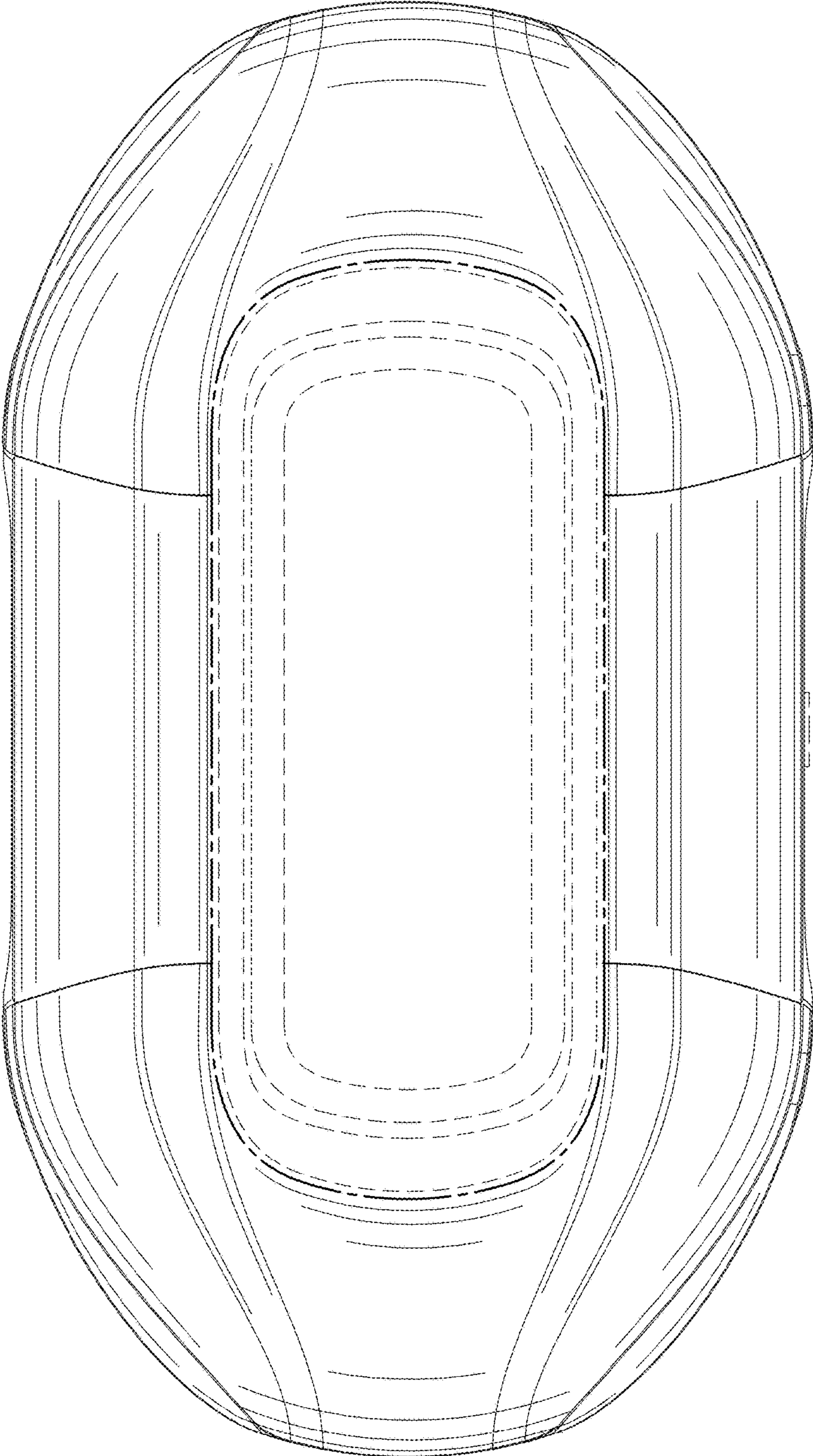


FIG. 5

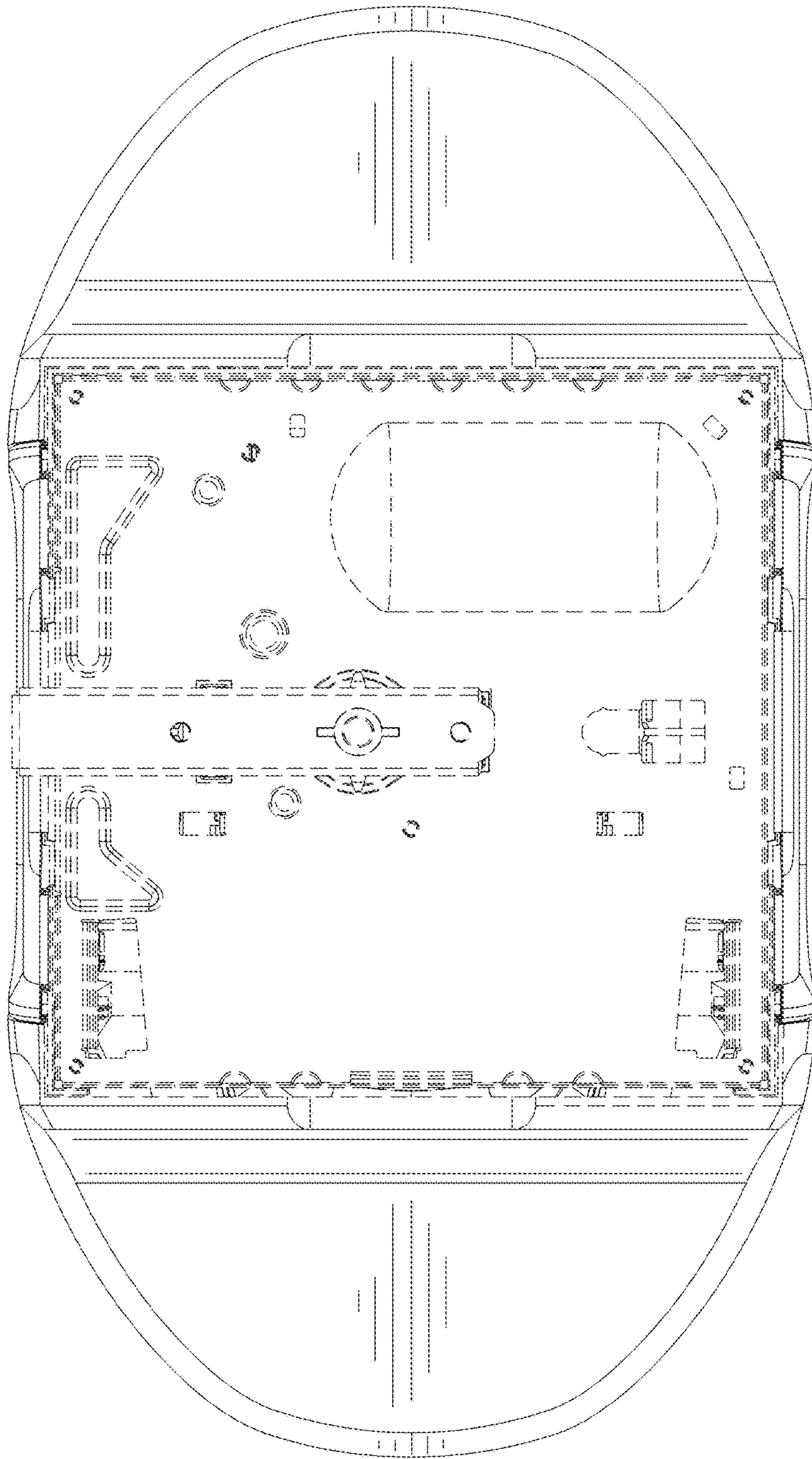


FIG. 6

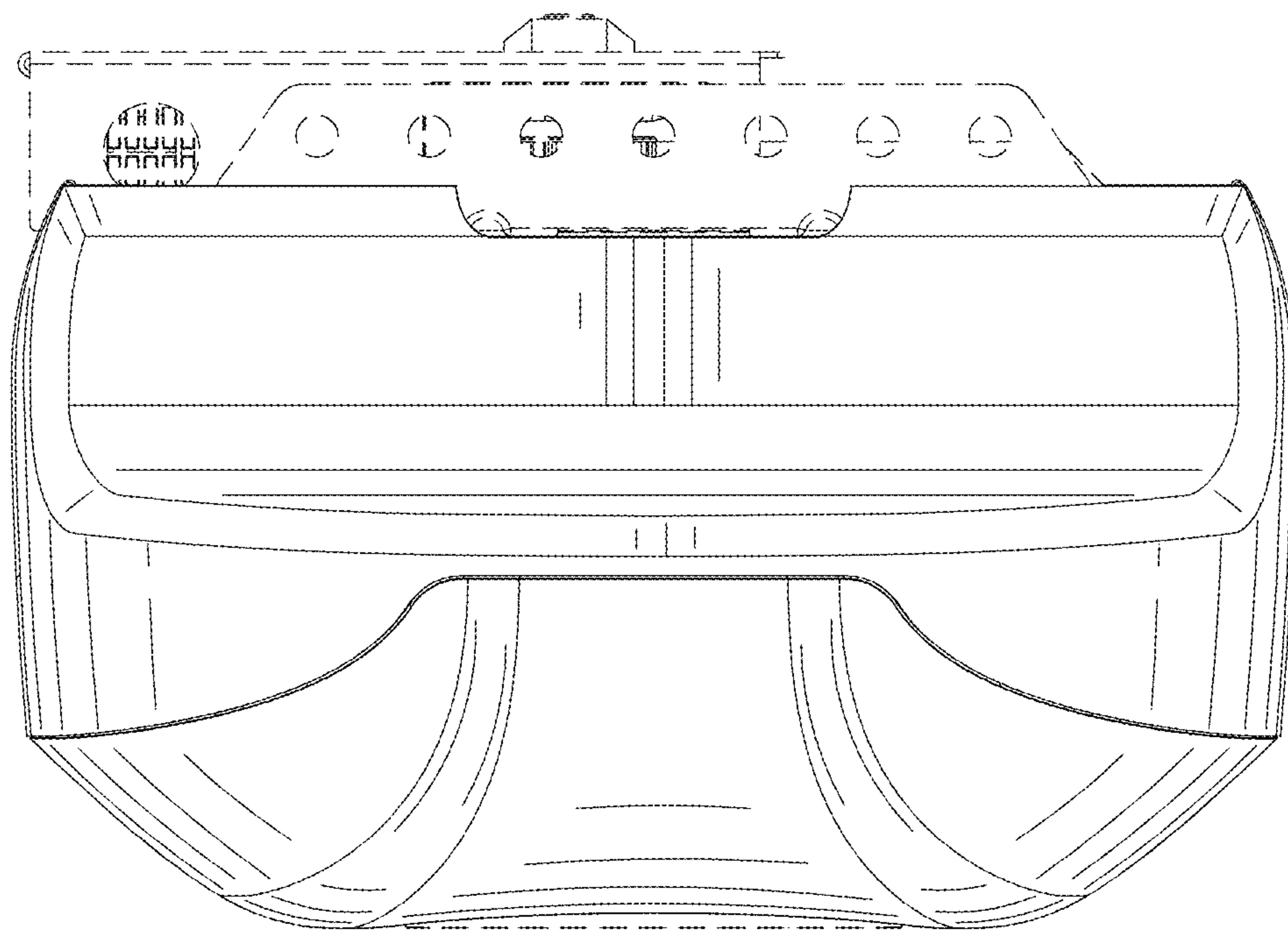


FIG. 7

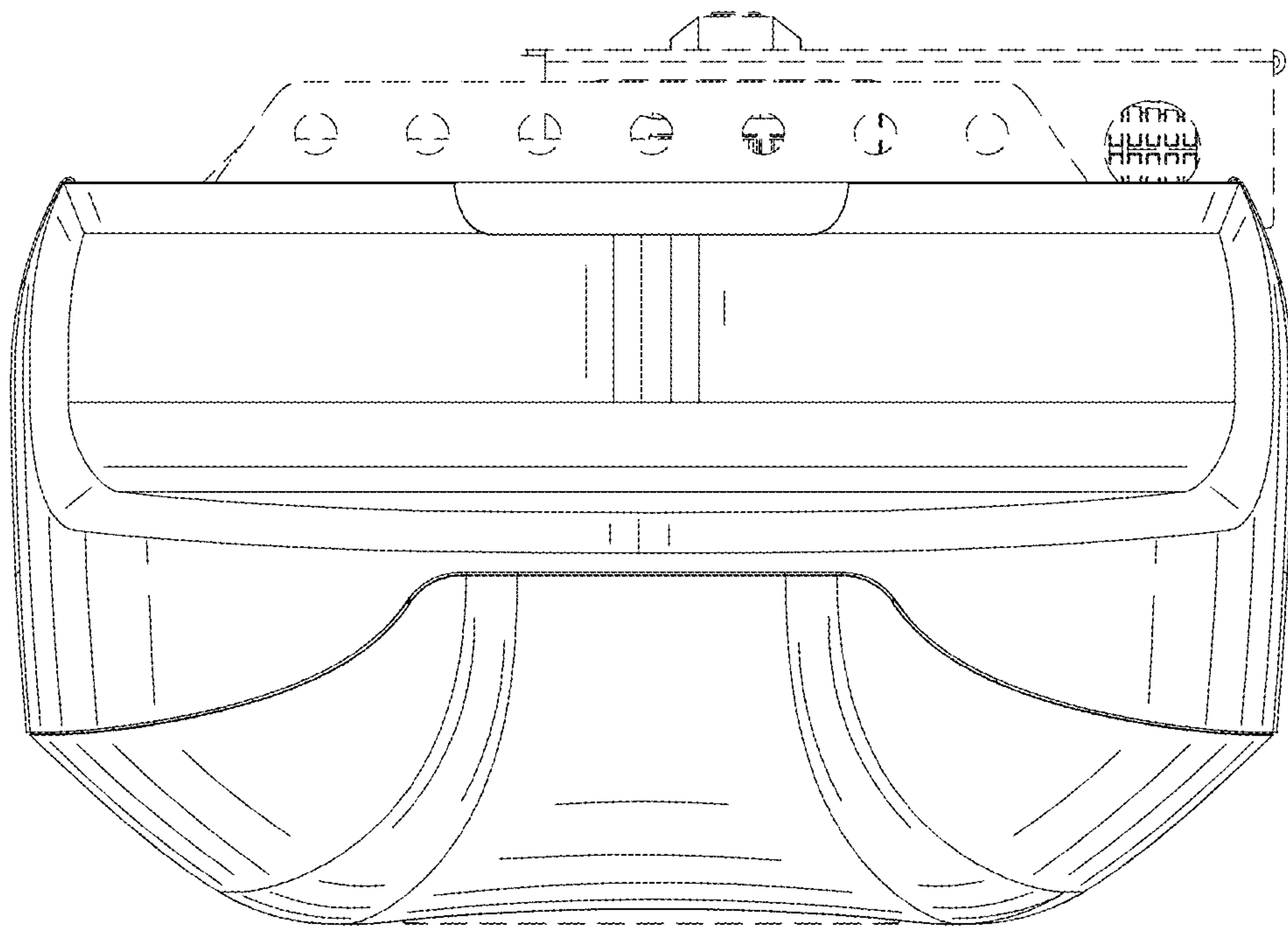


FIG. 8

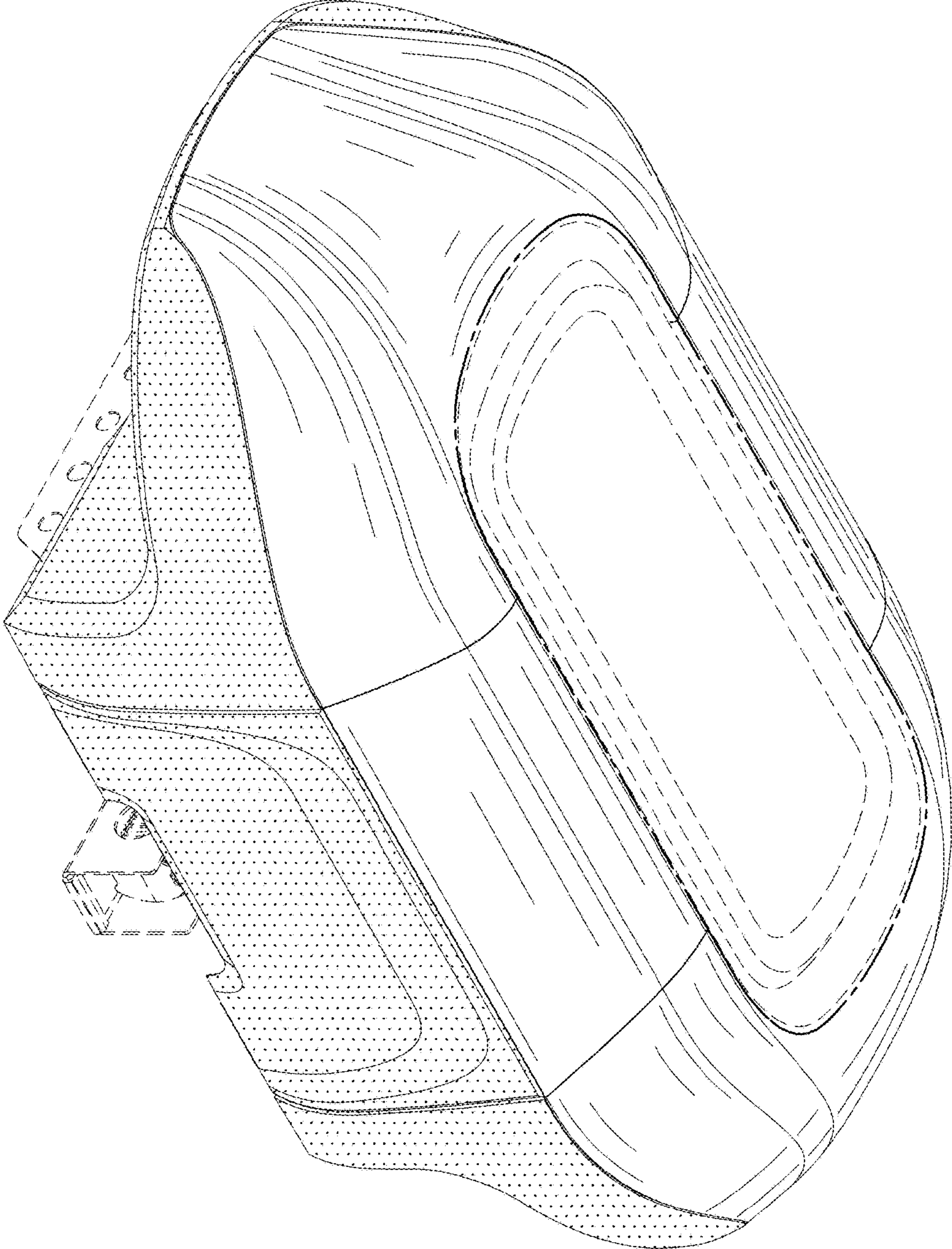


FIG. 9

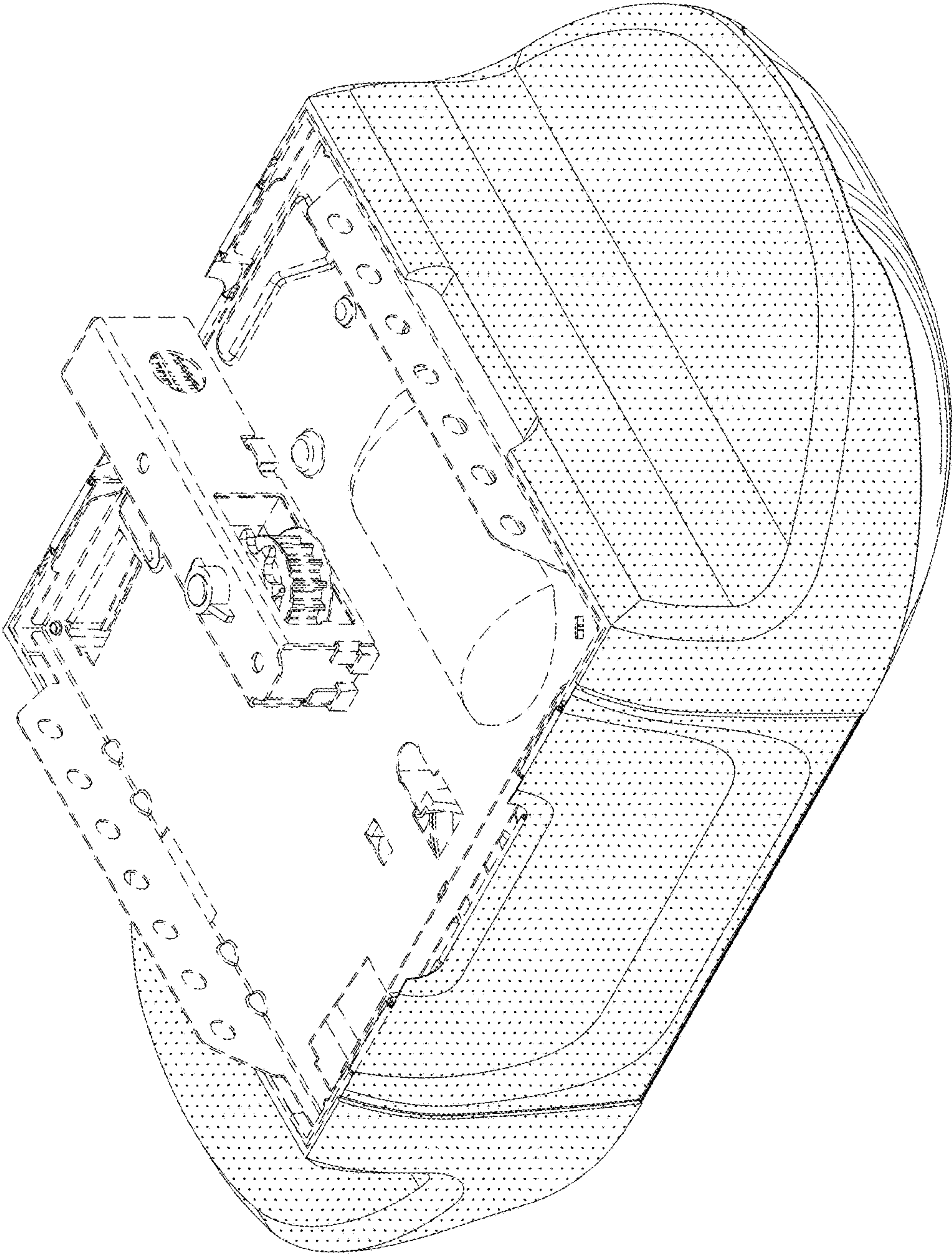


FIG. 10

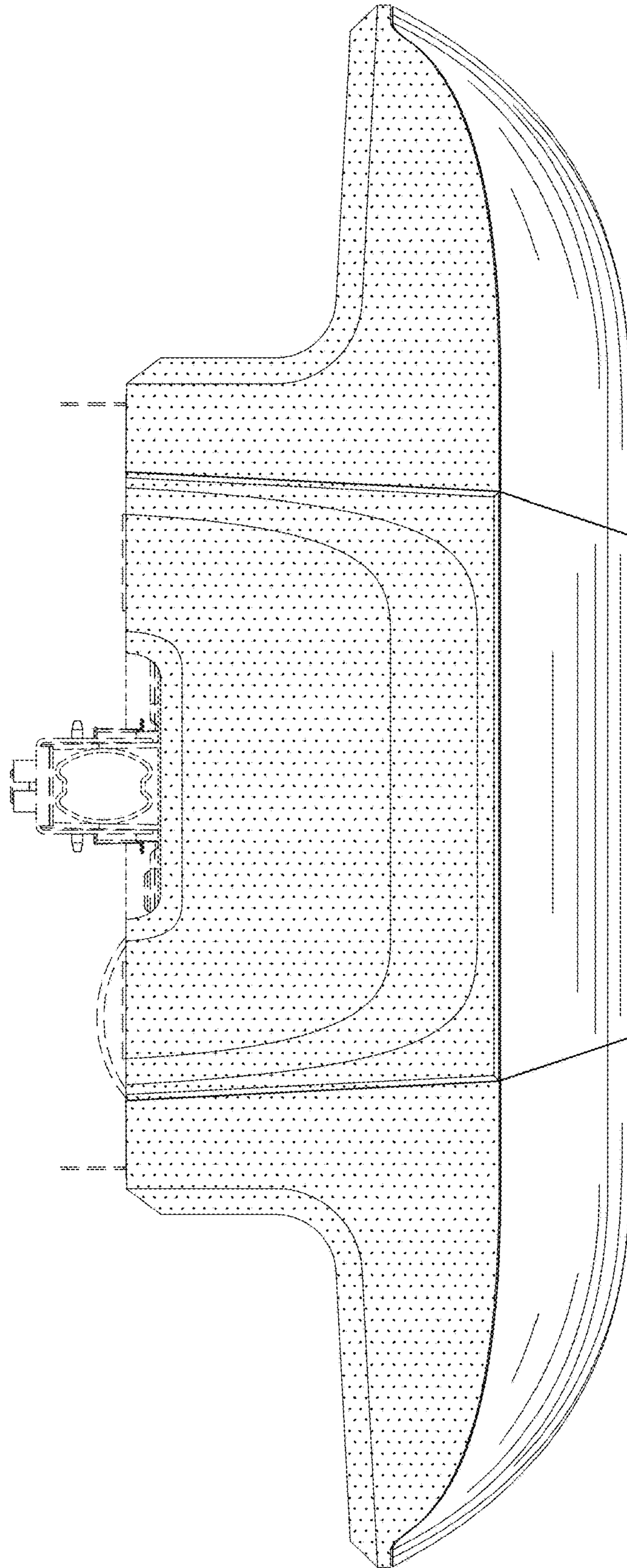


FIG. 11

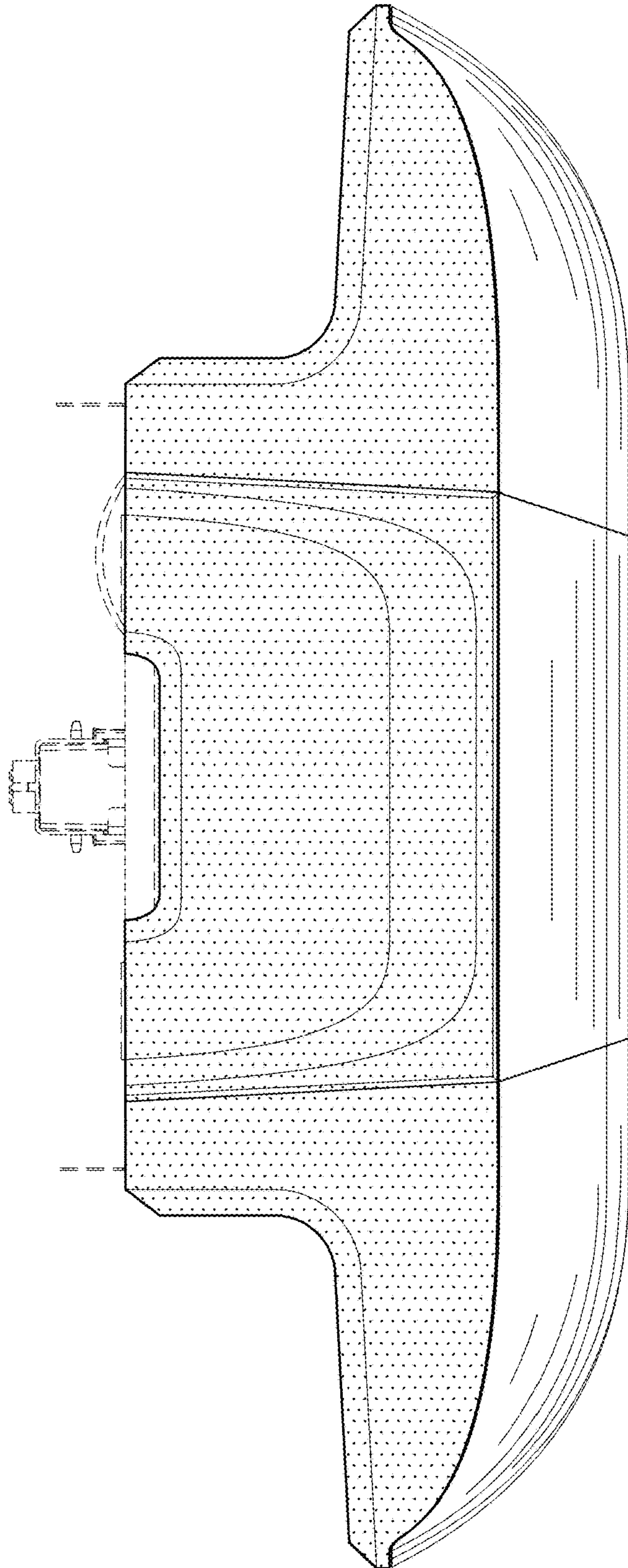


FIG. 12

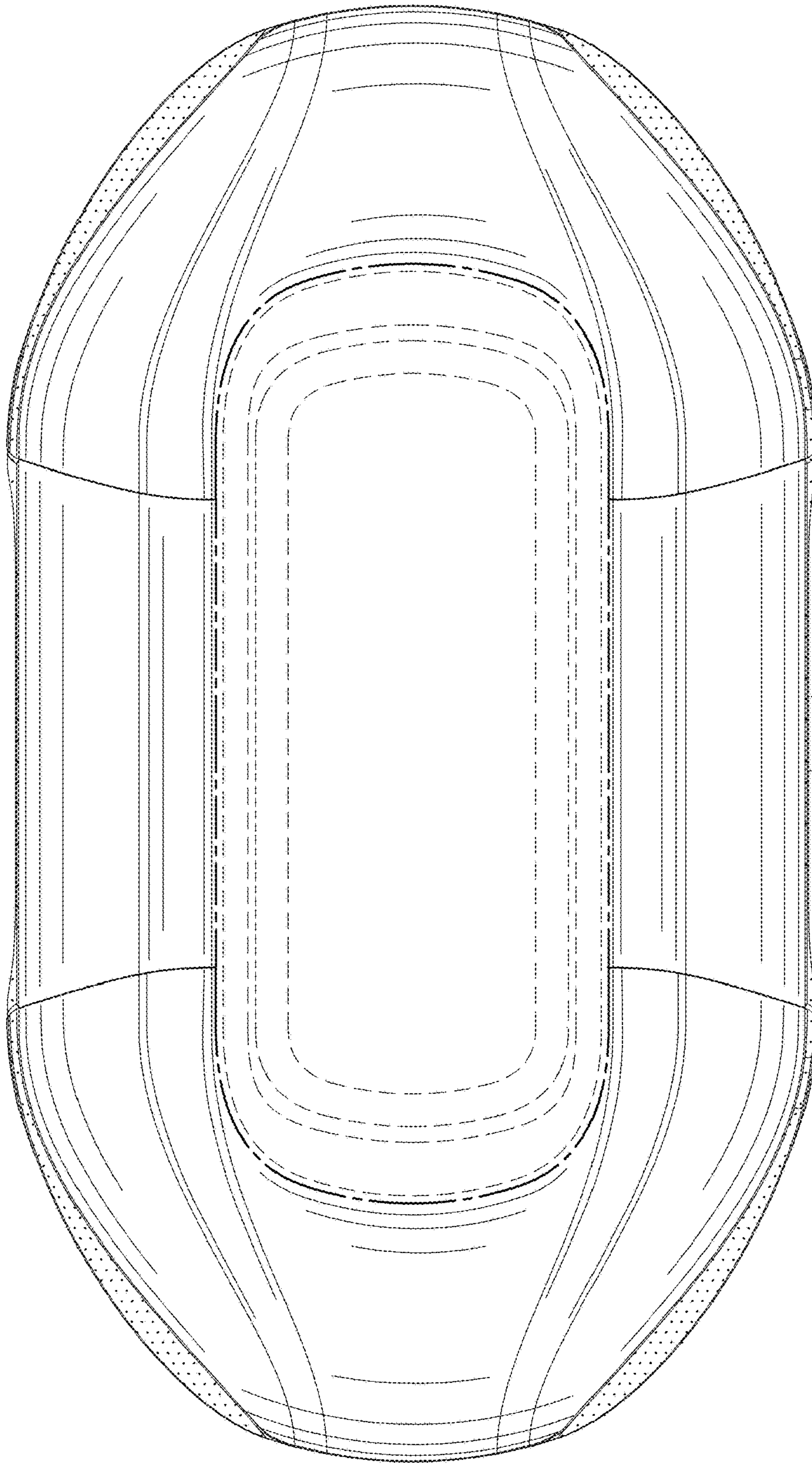


FIG. 13

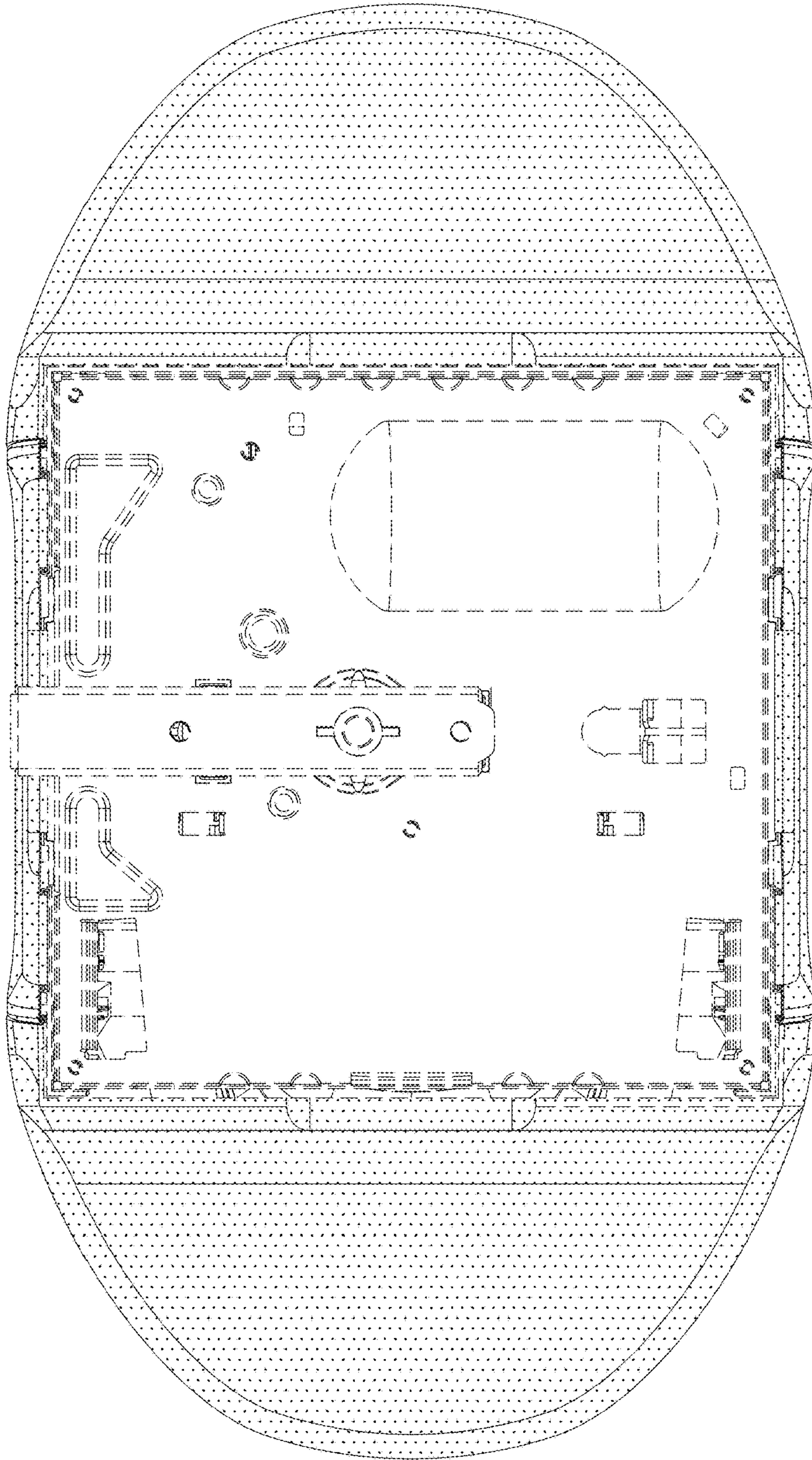


FIG. 14

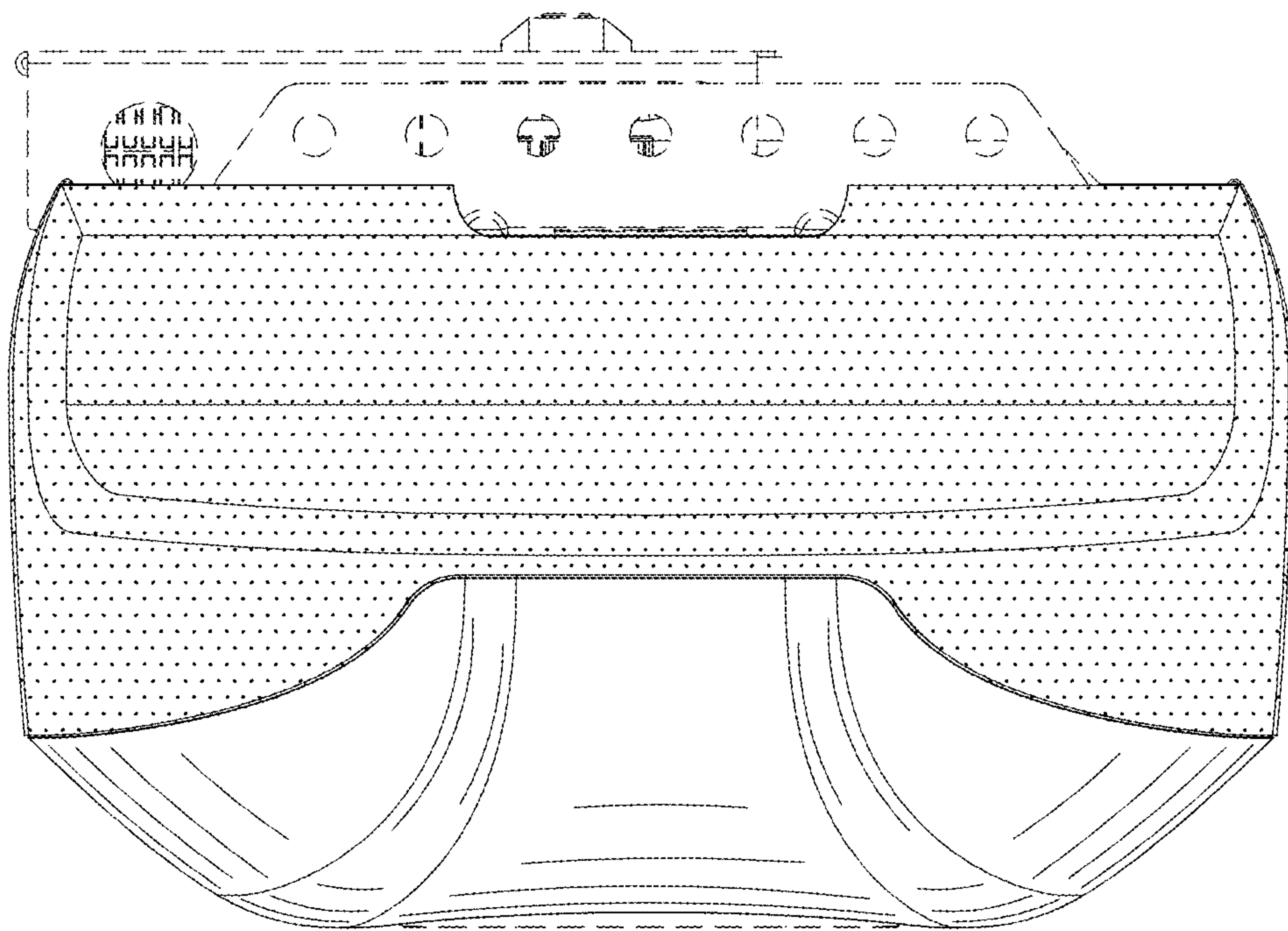


FIG. 15

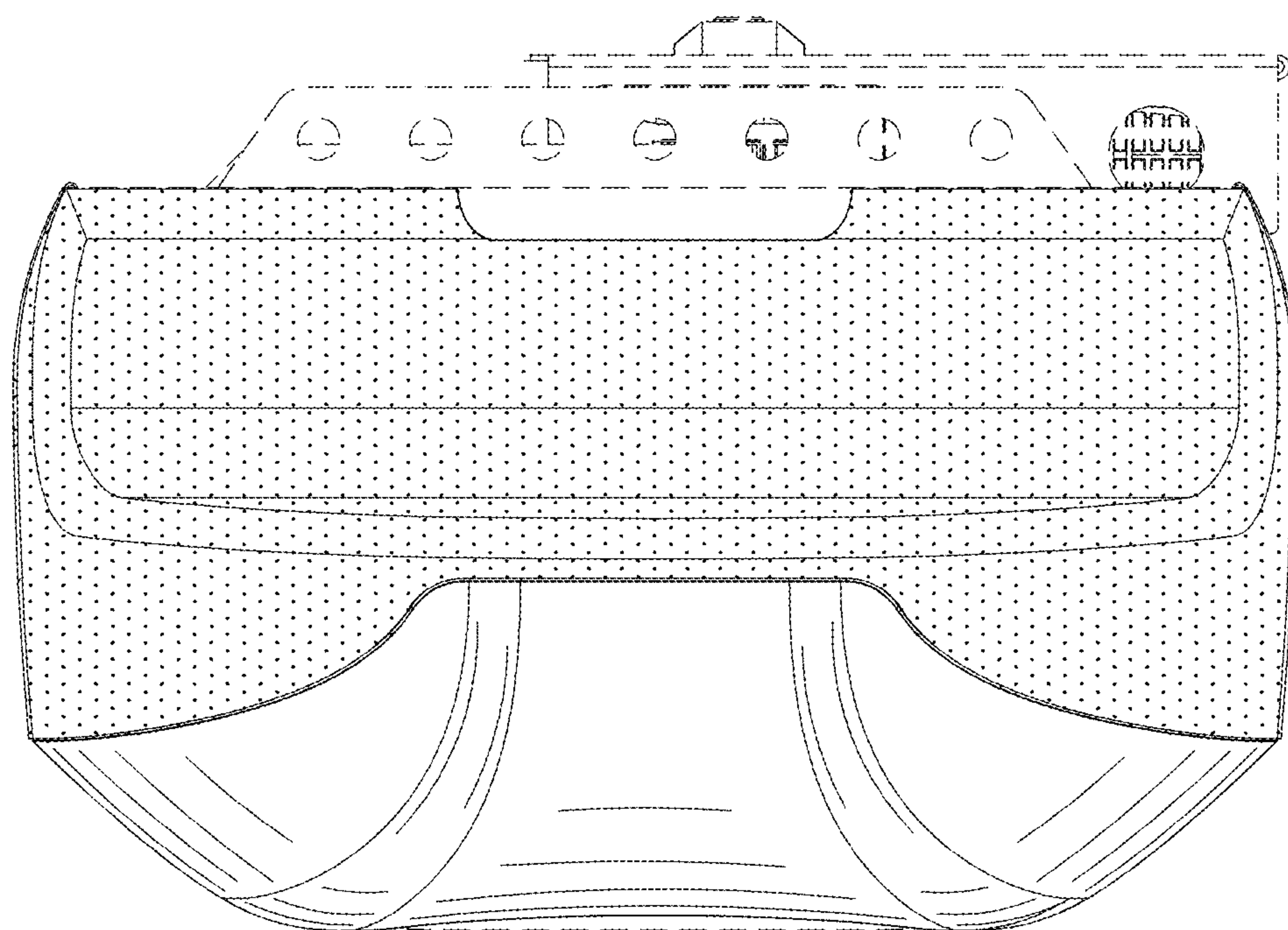


FIG. 16

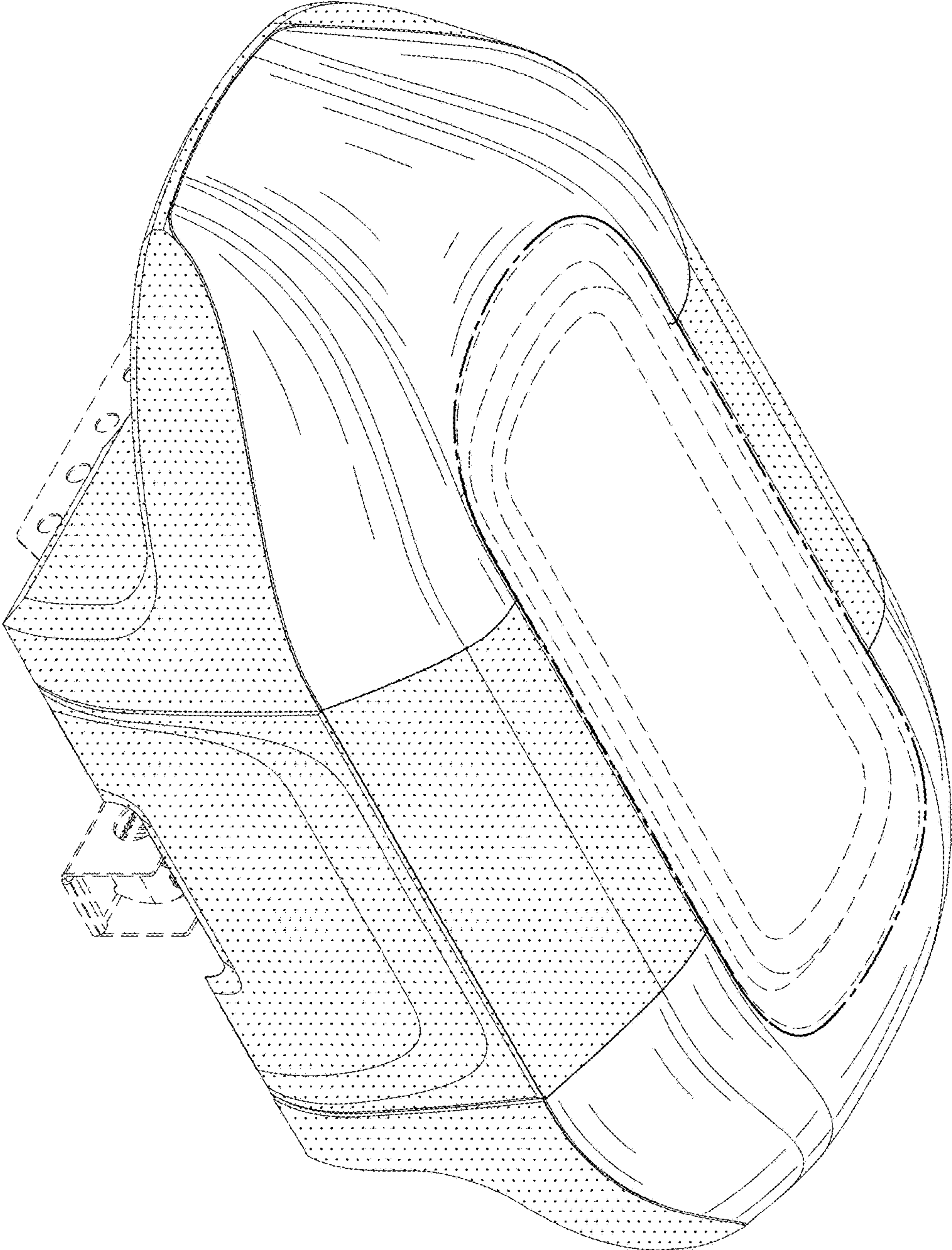


FIG. 17

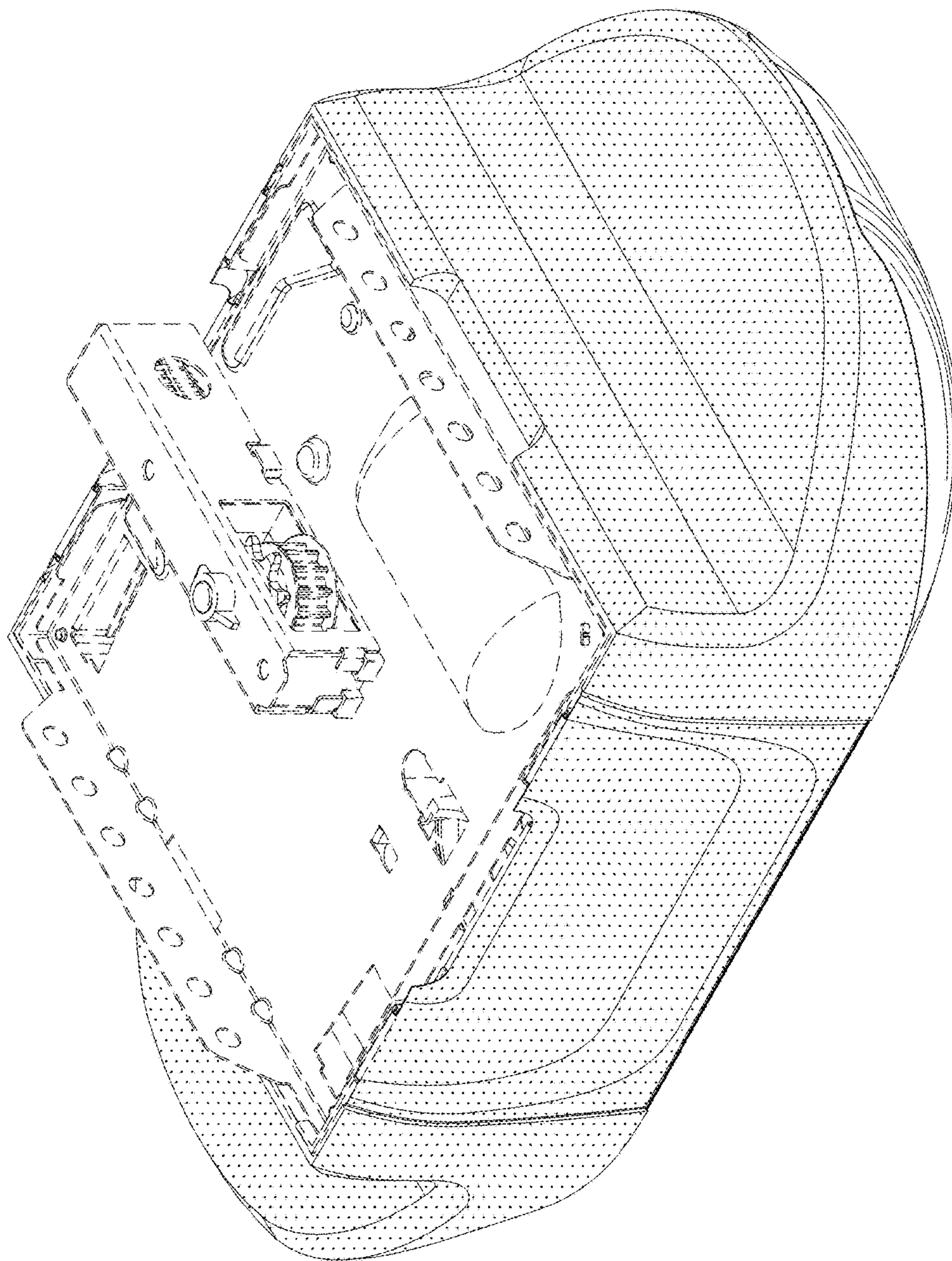


FIG. 18

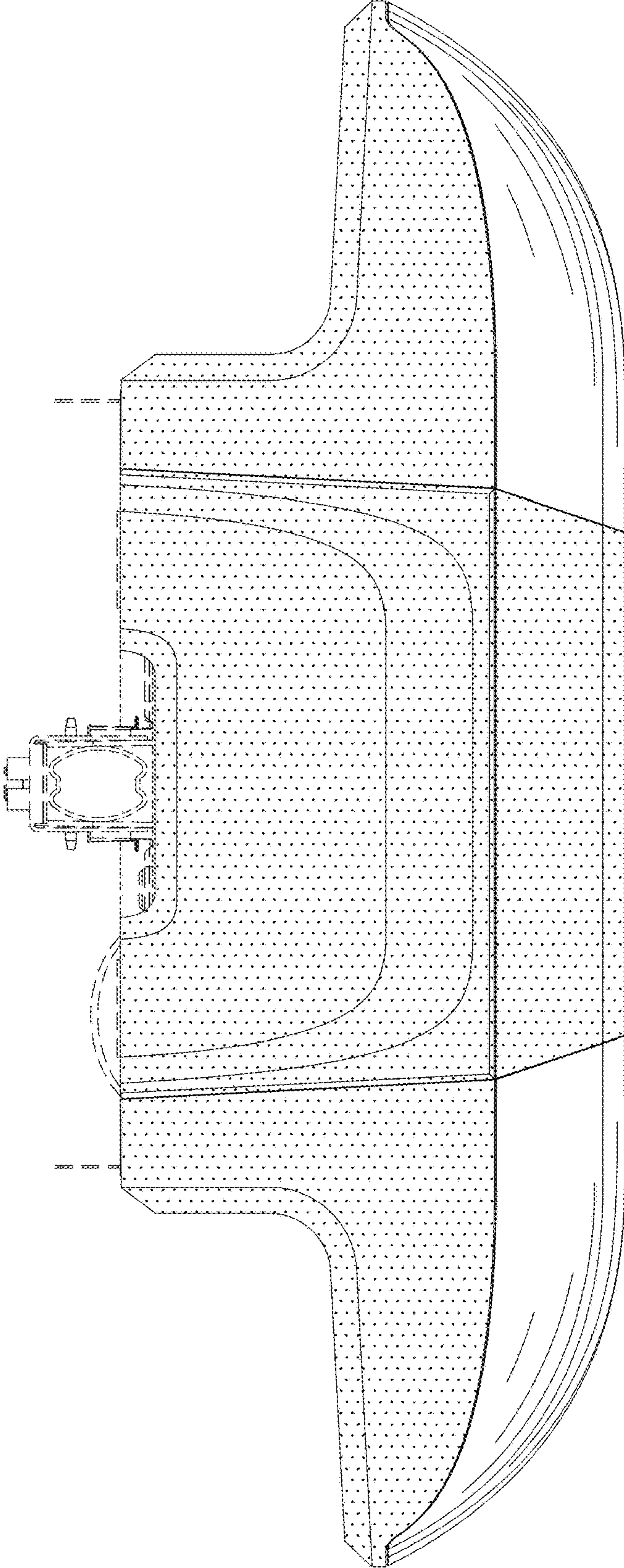


FIG. 19

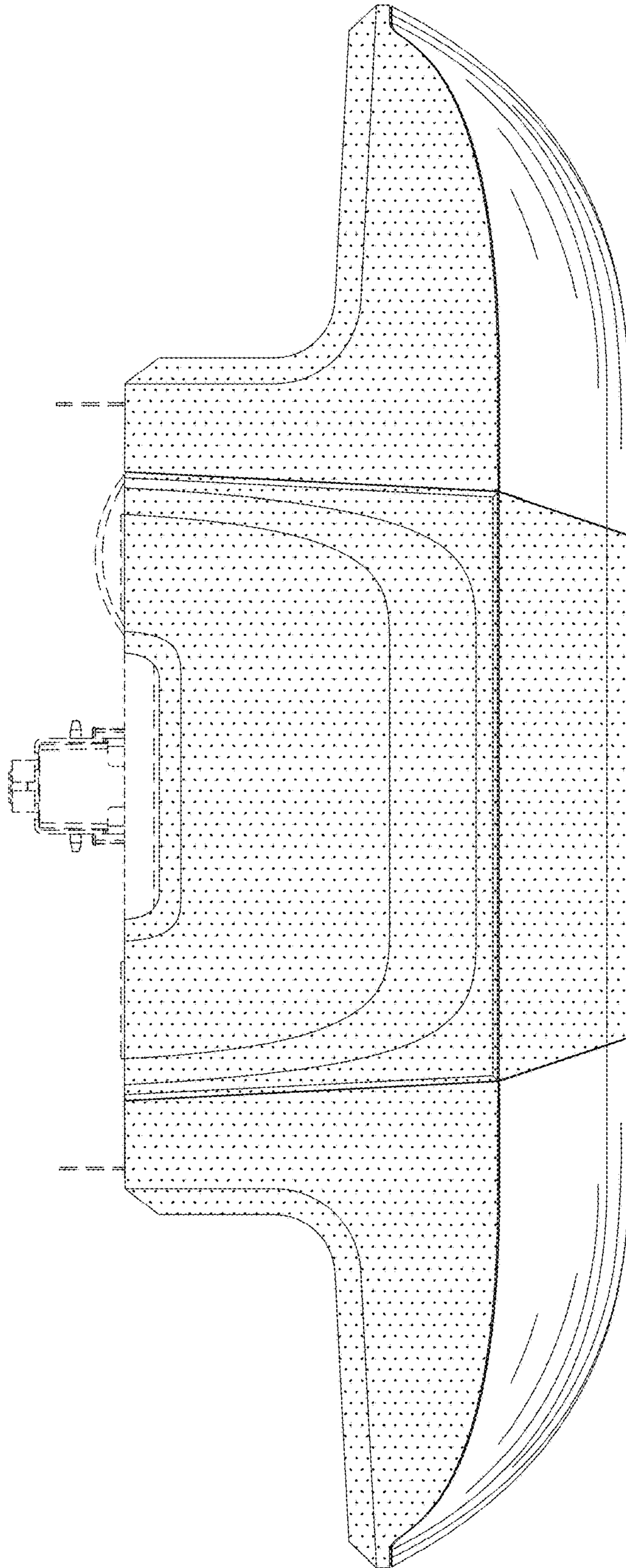


FIG. 20

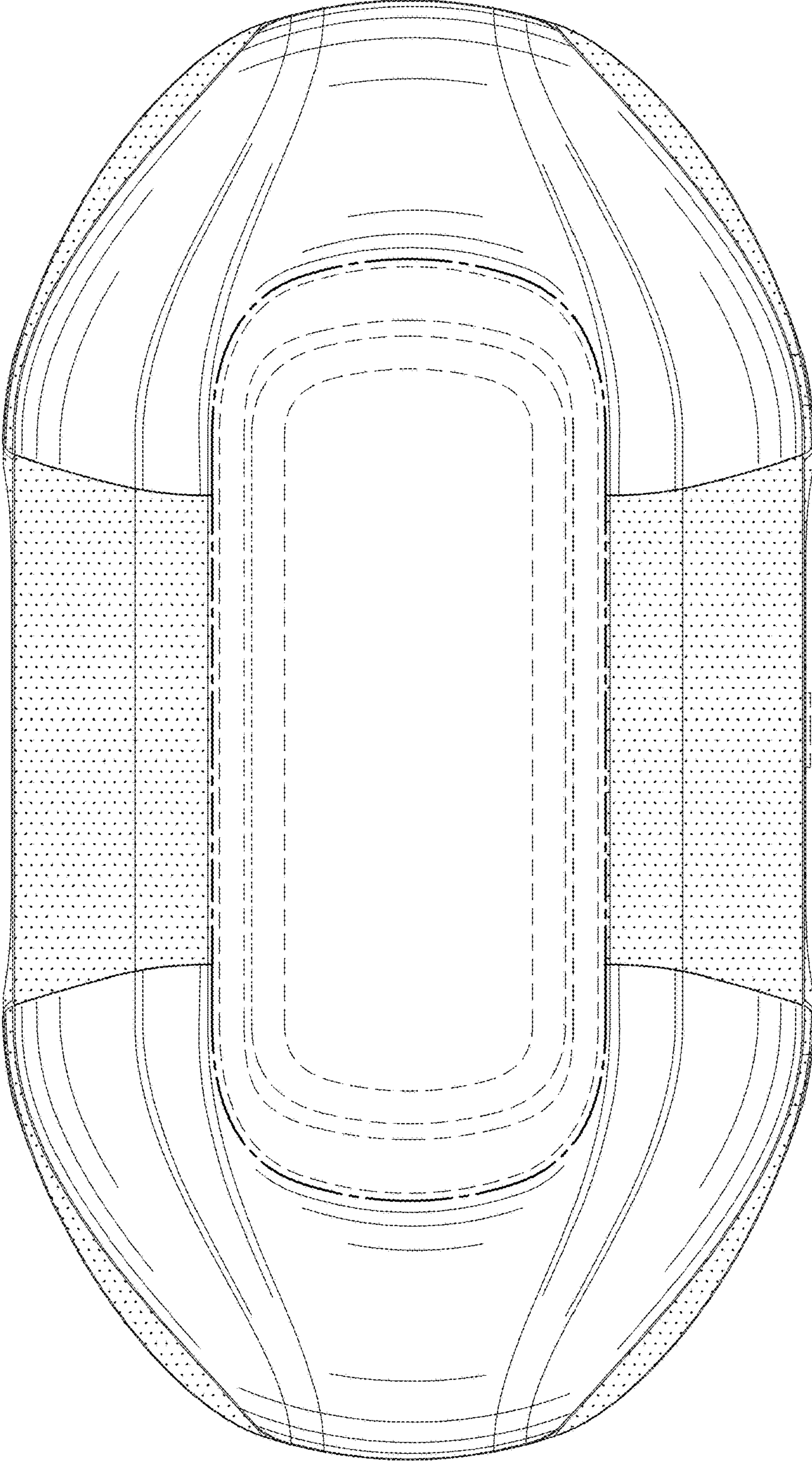


FIG. 21

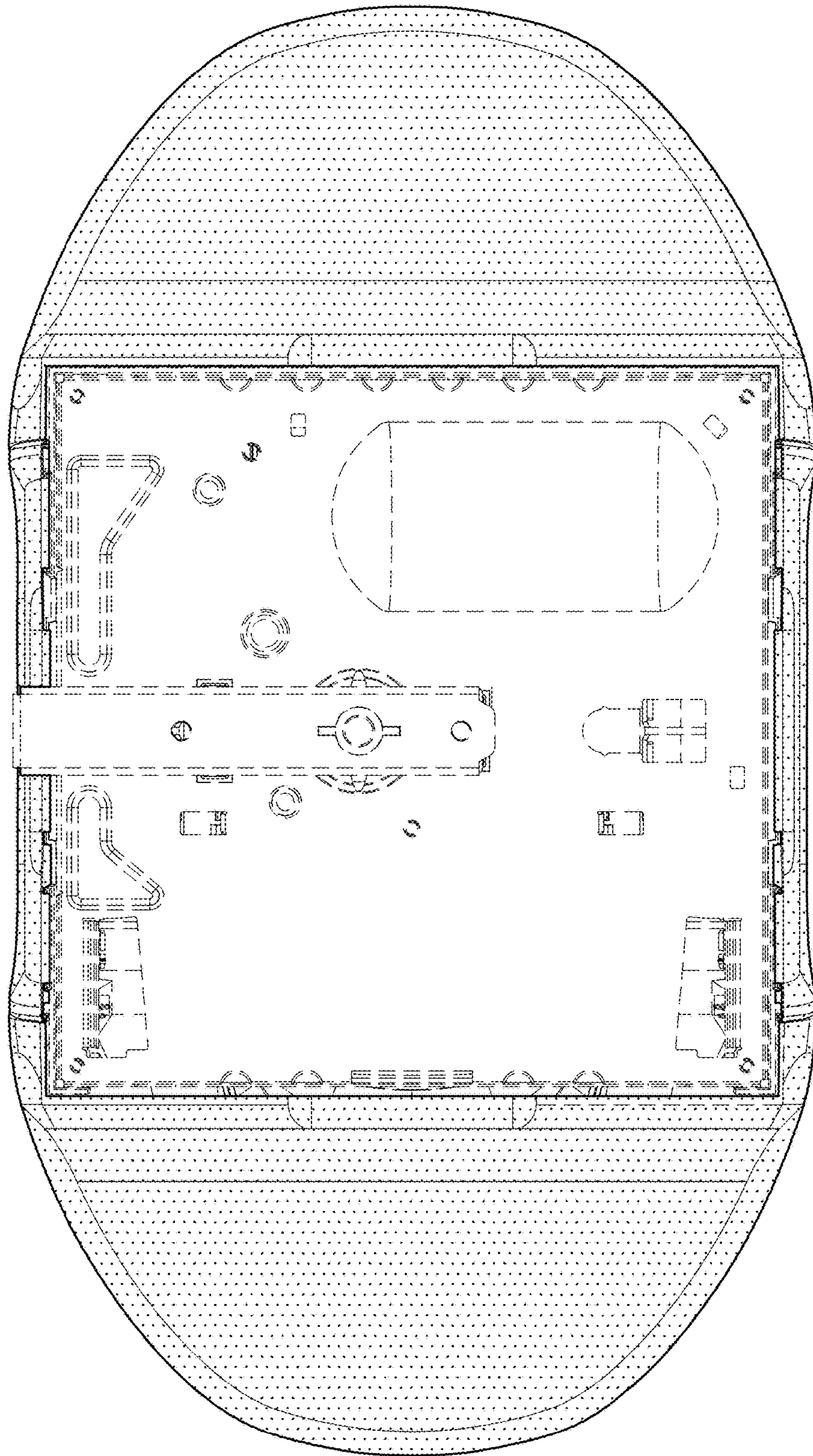


FIG. 22

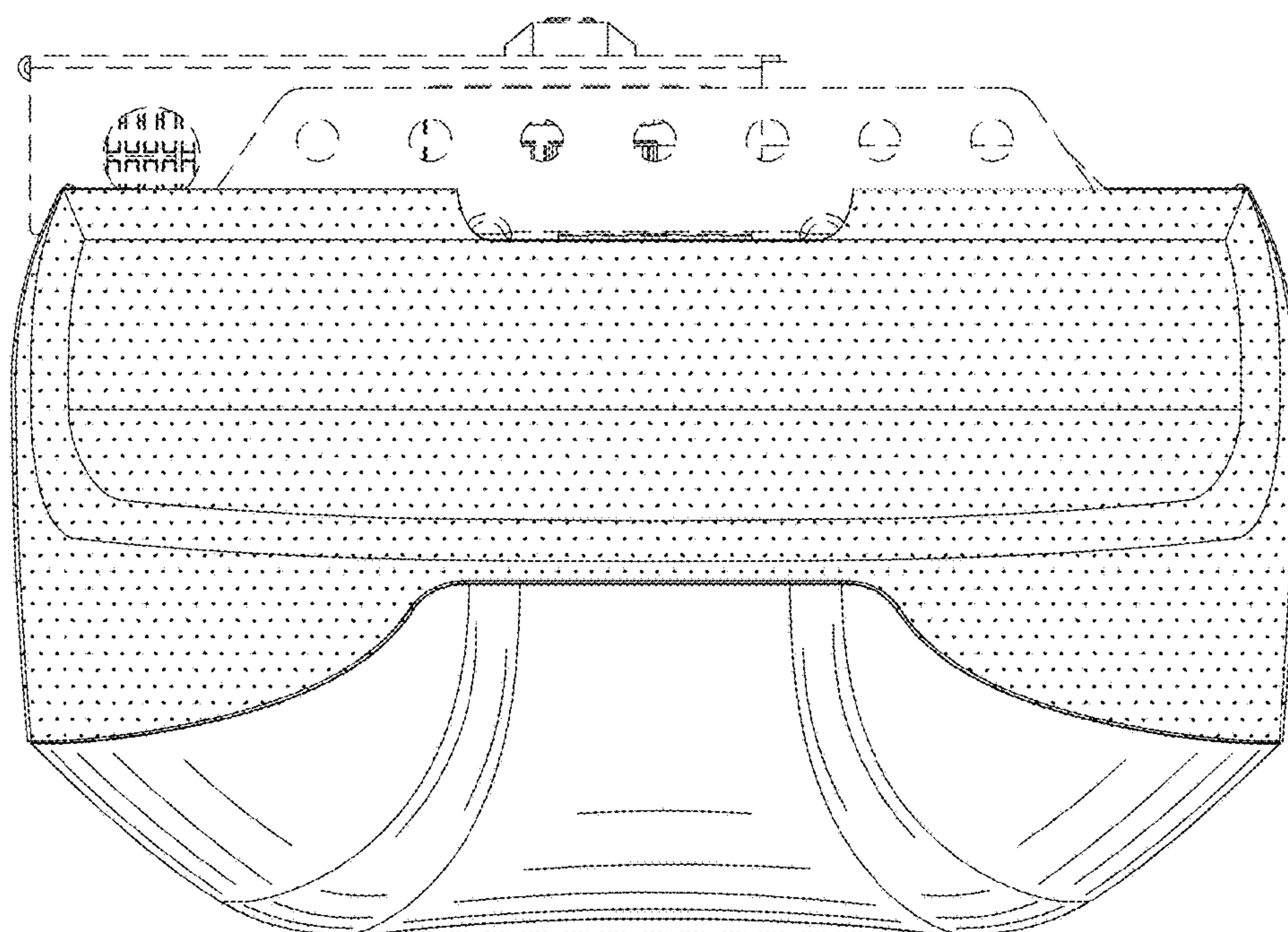


FIG. 23

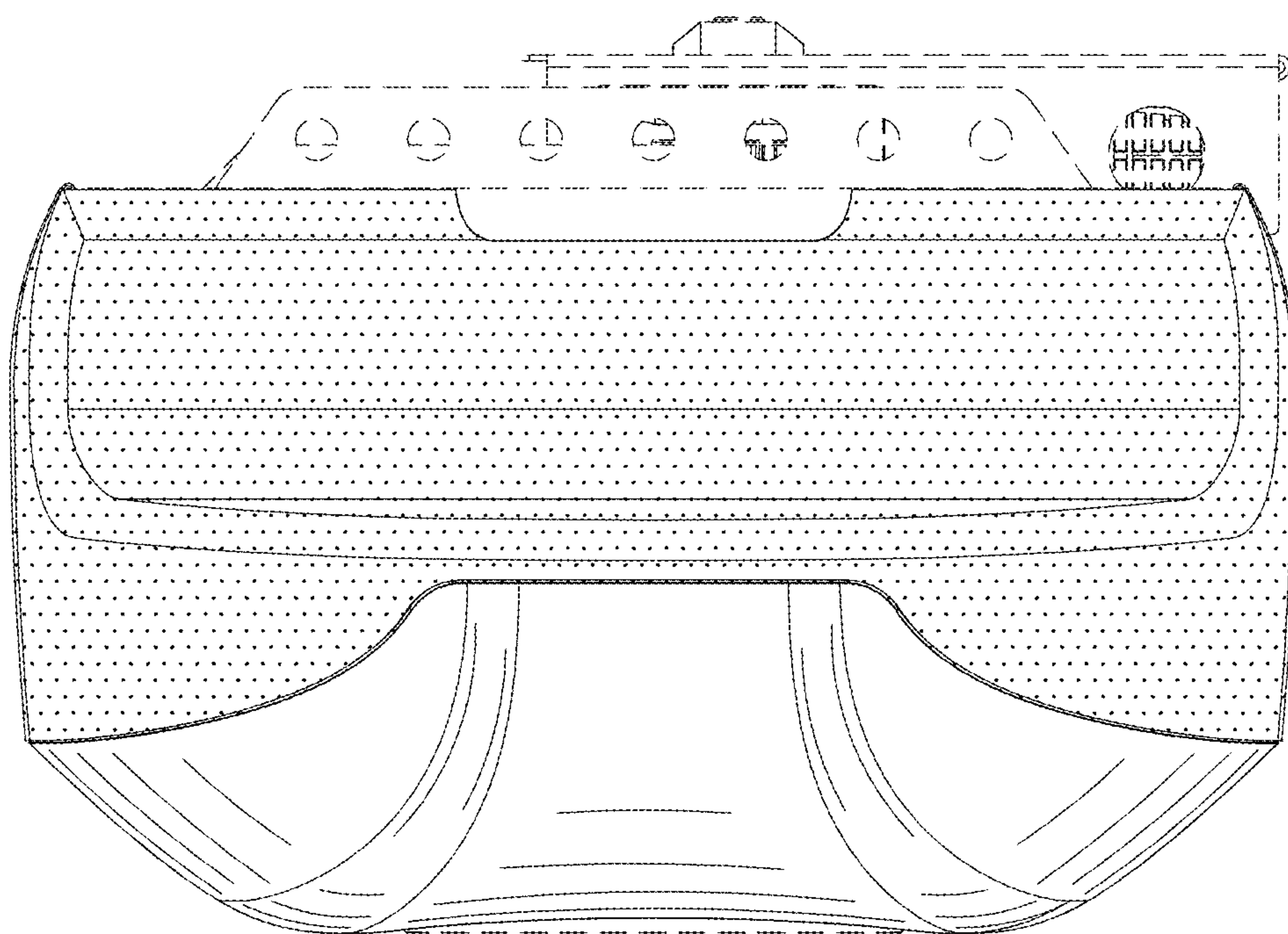


FIG. 24