



US00D848497S

(12) **United States Design Patent** (10) **Patent No.:** **US D848,497 S**  
**Zentmyer** (45) **Date of Patent:** **\*\* May 14, 2019**

(54) **AXLE GEAR**  
(71) Applicant: **Torq-Masters Industries, Inc**, Victor, NY (US)  
(72) Inventor: **John H. Zentmyer**, Lakeside, CA (US)  
(73) Assignee: **Torq-Masters, Inc.**, Victor, NY (US)  
(\*\*) Term: **15 Years**  
(21) Appl. No.: **29/617,449**  
(22) Filed: **Sep. 14, 2017**  
(51) **LOC (11) Cl.** ..... **15-09**  
(52) **U.S. Cl.**  
USPC ..... **D15/148**  
(58) **Field of Classification Search**  
USPC ..... D15/148, 149  
CPC ..... F16H 48/12; F16H 48/24; F16H 48/142;  
Y10T 29/4984; Y10T 29/49959; Y10T  
29/49863; Y10T 74/19005  
See application file for complete search history.

5,759,129 A 6/1998 Zentmyer et al.  
5,816,971 A 10/1998 Zentmyer et al.  
5,836,220 A 11/1998 Valente  
5,901,618 A 5/1999 Tyson et al.  
5,983,754 A 11/1999 Tyson et al.  
6,014,916 A 1/2000 Tyson  
6,047,615 A 4/2000 Tyson et al.  
6,053,073 A 4/2000 Tyson et al.  
6,053,074 A 4/2000 Tyson et al.  
6,062,105 A 5/2000 Tyson et al.  
6,092,439 A 7/2000 Tyson et al.  
6,105,465 A 8/2000 Tyson et al.  
6,269,712 B1 8/2001 Zentmyer  
D479,543 S \* 9/2003 Lannoch ..... D15/148  
6,681,654 B2 1/2004 Zentmyer  
D720,377 S \* 12/2014 Edler ..... D15/148  
9,488,265 B2 \* 11/2016 Edler ..... F16H 48/40  
2002/0151402 A1 10/2002 Zentmyer  
(Continued)

(56) **References Cited**

**U.S. PATENT DOCUMENTS**

1,430,744 A 10/1922 Lewis  
1,477,137 A 12/1923 Lewis  
1,711,371 A 4/1929 Zentmyer  
2,555,044 A 5/1951 Lewis  
3,745,800 A 7/1973 Zentmyer  
4,071,808 A 1/1978 Zentmyer  
4,109,912 A 8/1978 Zentmyer  
4,498,355 A 2/1985 Schou  
4,759,232 A 7/1988 Roberts  
5,413,015 A 5/1995 Zentmyer  
5,590,572 A 1/1997 Valente  
5,591,098 A 1/1997 Jones et al.  
5,603,246 A 2/1997 Zentmyer  
5,637,049 A 6/1997 Zentmyer  
5,715,733 A 2/1998 Dissent  
5,759,126 A 6/1998 Zentmyer et al.

**OTHER PUBLICATIONS**

[www.founwheeler.com/how-to/29298-latest-locking-differential-technology](http://www.founwheeler.com/how-to/29298-latest-locking-differential-technology) Mar. 1, 2000.

*Primary Examiner* — Patricia A Palasik  
(74) *Attorney, Agent, or Firm* — Michael J. Nickerson;  
Basch & Nickerson LLP

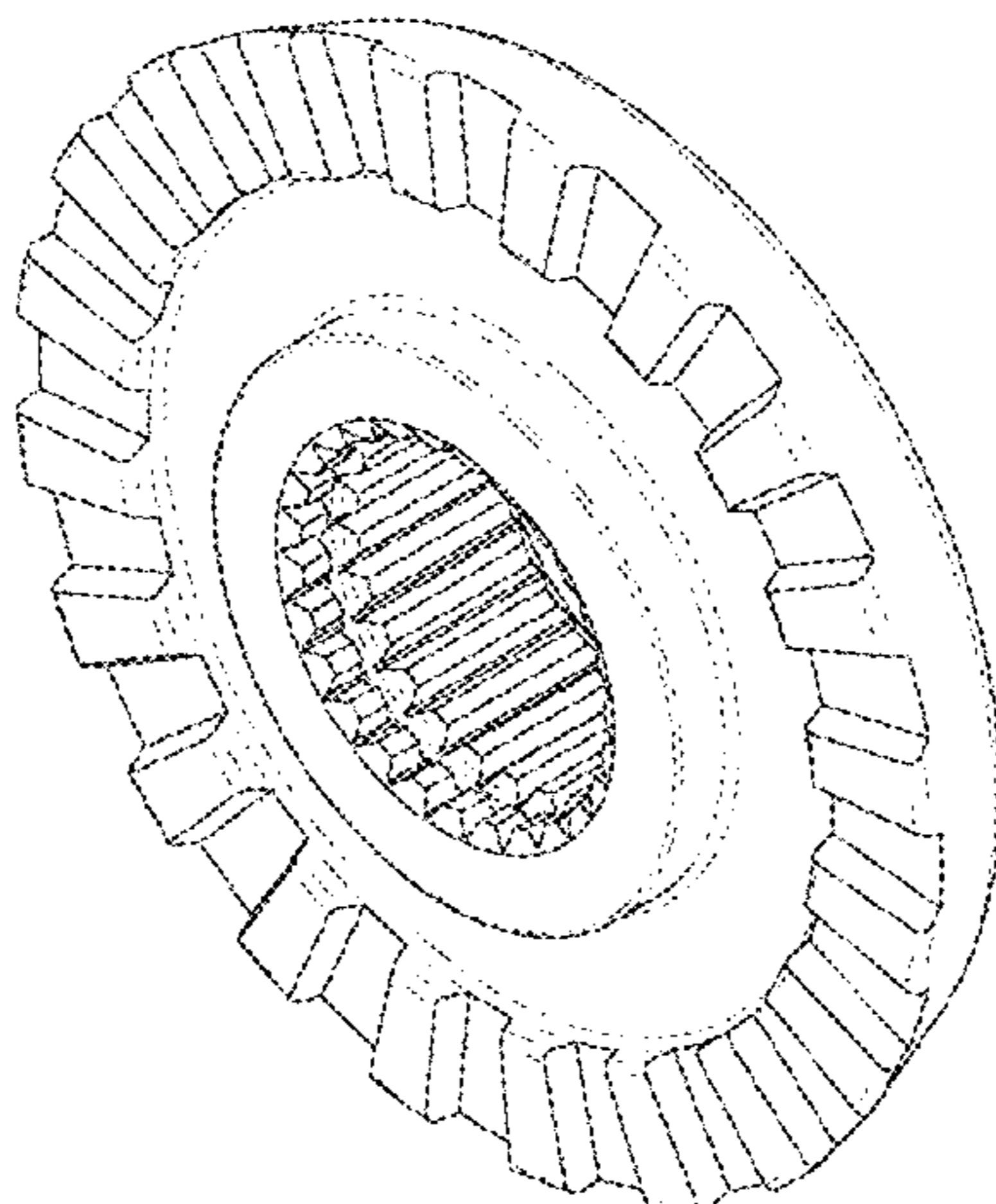
(57) **CLAIM**

The ornamental design for an axle gear, as shown and described.

**DESCRIPTION**

FIG. 1 is a side view of an axle gear;  
FIG. 2 is a top view of the axle gear;  
FIG. 3 is a bottom side view of the axle gear;  
FIG. 4 is a perspective view of the bottom and sides of the axle gear; and,  
FIG. 5 is another perspective view of the bottom and sides of the axle gear.

**1 Claim, 5 Drawing Sheets**



(56)

**References Cited**

U.S. PATENT DOCUMENTS

2007/0006673 A1\* 1/2007 Peterman ..... F16H 63/18  
74/329  
2008/0176703 A1 7/2008 Hoberg  
2009/0011890 A1\* 1/2009 Bawks ..... F16D 7/044  
475/231  
2009/0107741 A1\* 4/2009 Bell ..... B60K 1/00  
180/65.6  
2009/0197732 A1\* 8/2009 Lyman ..... F16H 48/142  
475/235  
2010/0113208 A1\* 5/2010 Haugeberg ..... F16H 48/142  
475/236

\* cited by examiner

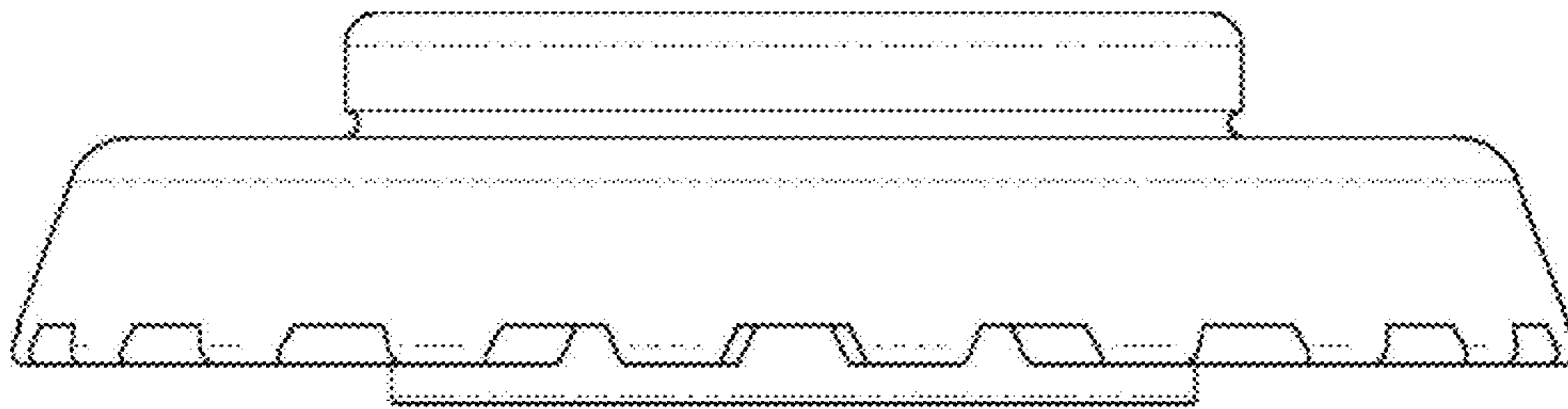


FIGURE 1

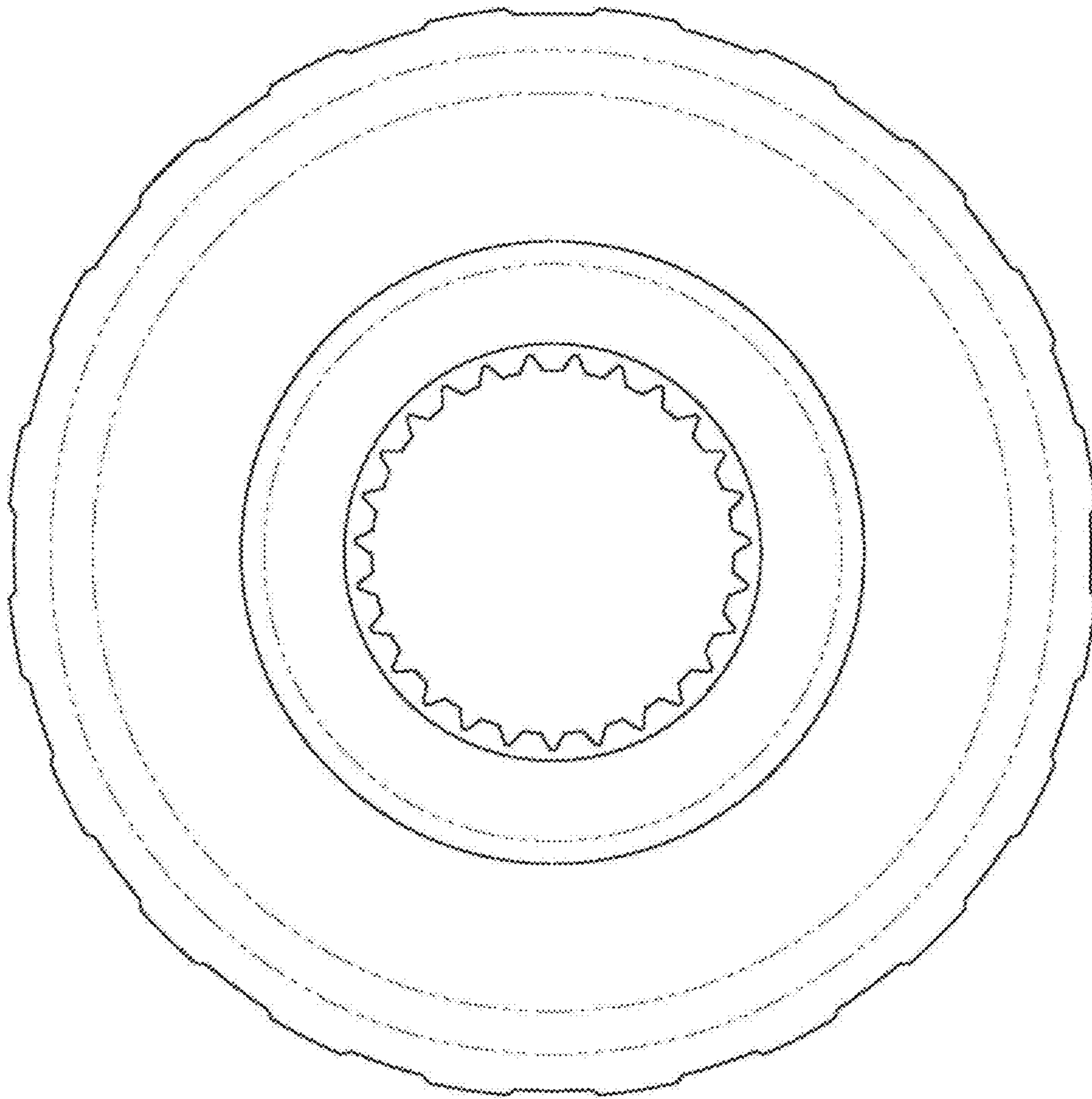


FIGURE 2

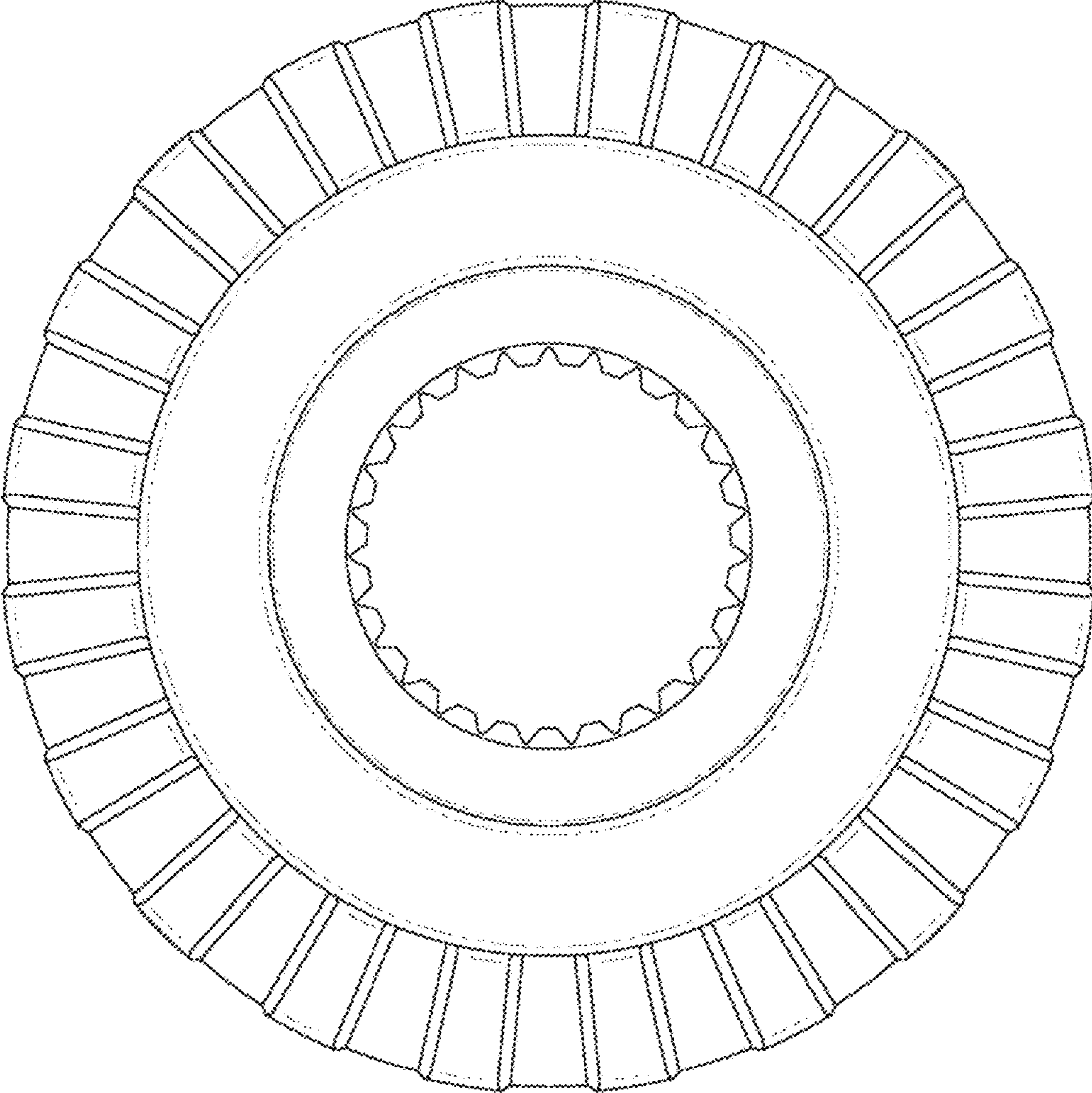


FIGURE 3



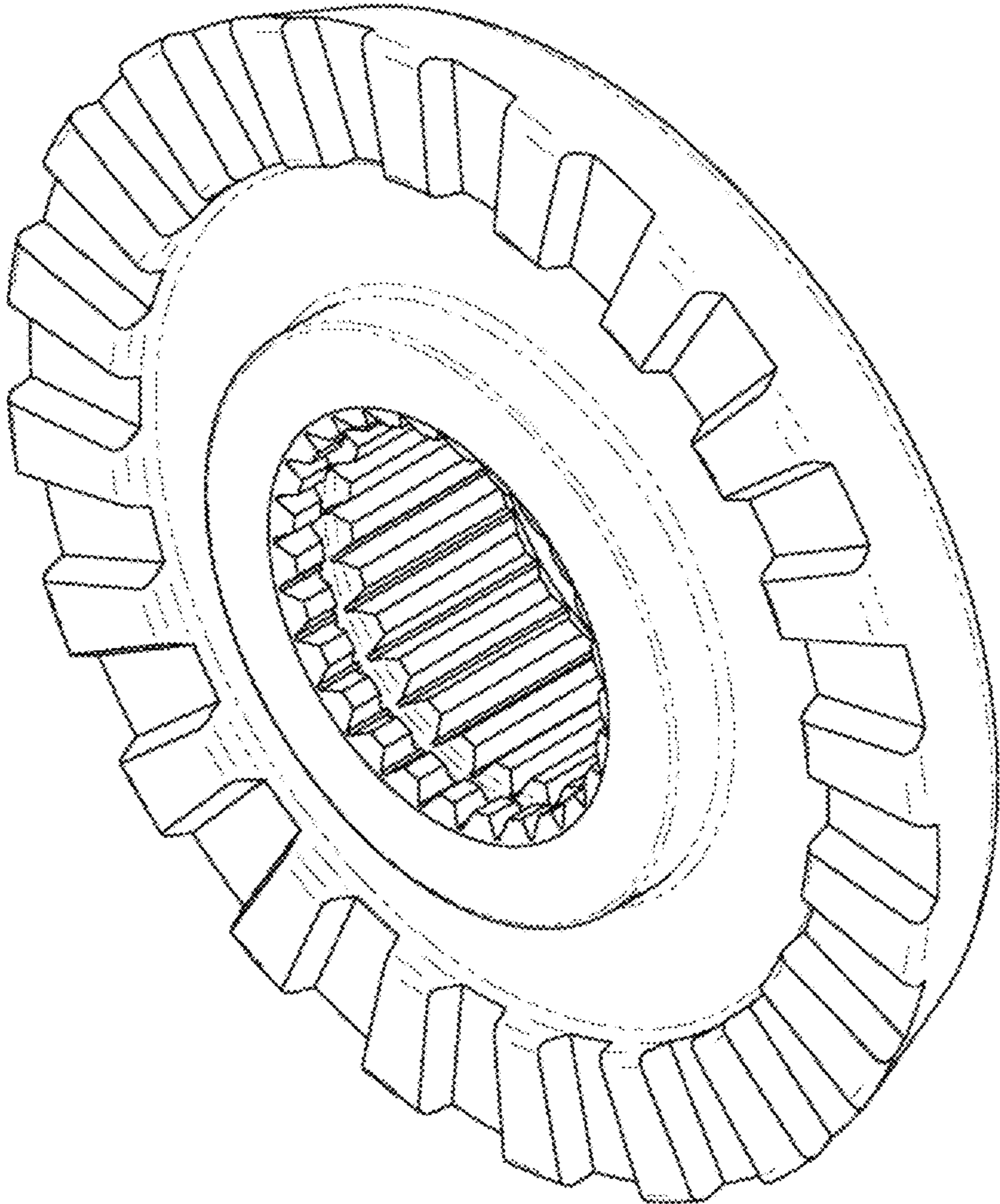


FIGURE 4

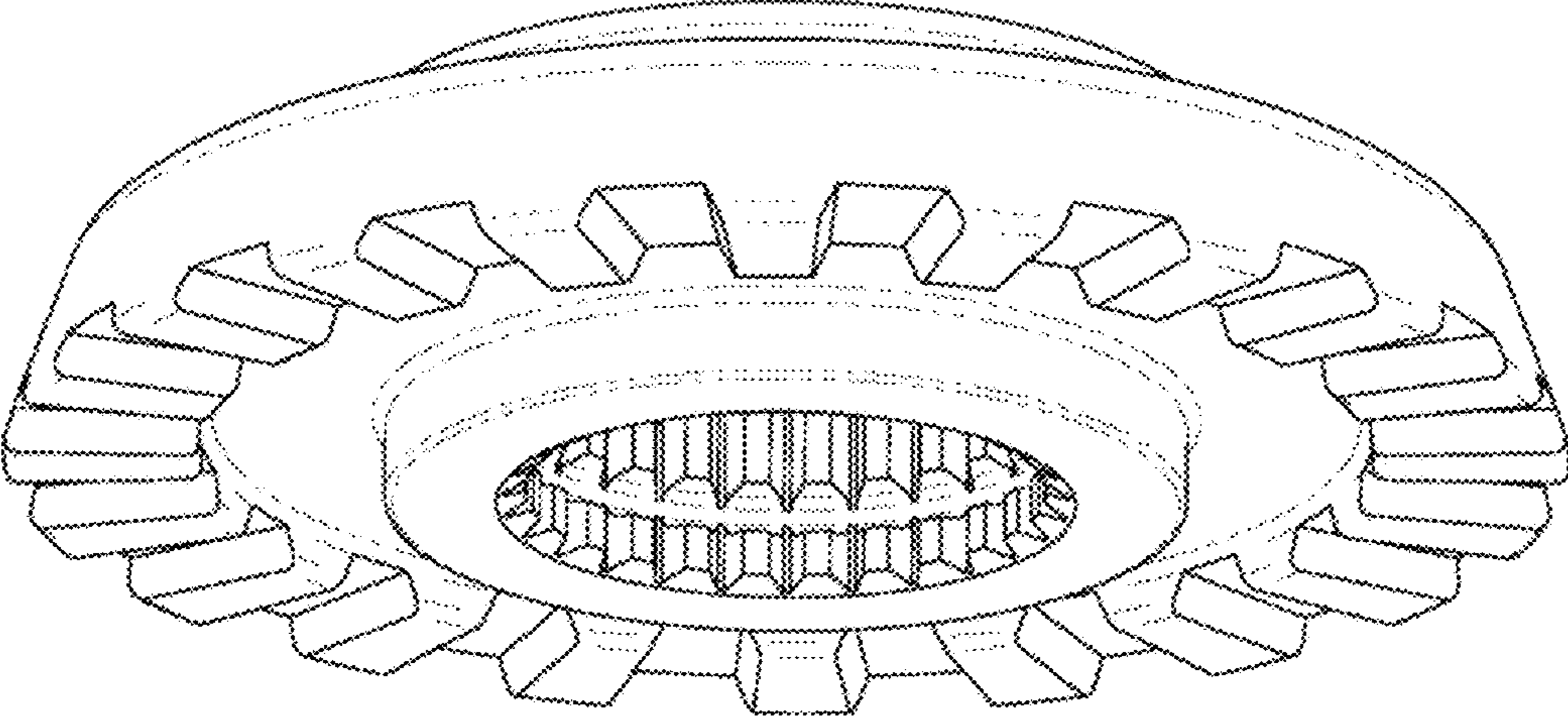


FIGURE 5

UNITED STATES PATENT AND TRADEMARK OFFICE  
**CERTIFICATE OF CORRECTION**

PATENT NO. : D848,497 S  
APPLICATION NO. : 29/617449  
DATED : May 14, 2019  
INVENTOR(S) : John H. Zentmyer and Cora Jokinen

Page 1 of 1

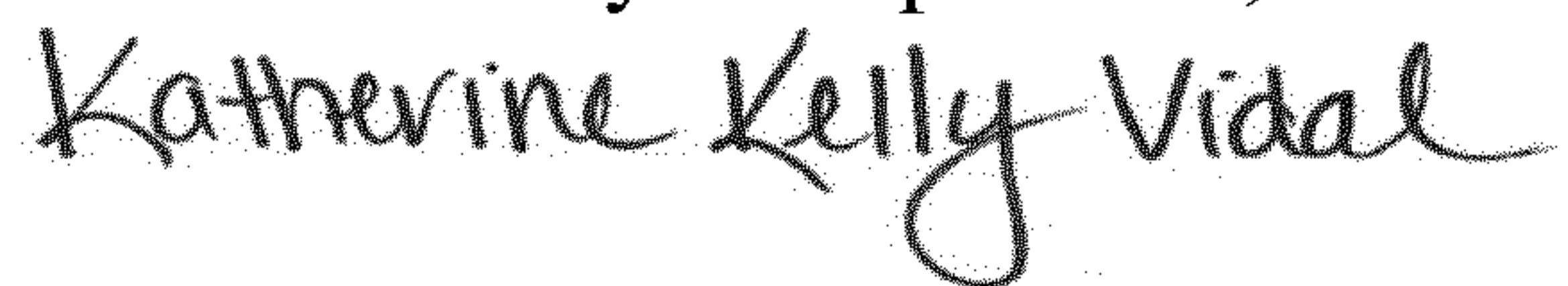
It is certified that error appears in the above-identified patent and that said Letters Patent is hereby corrected as shown below:

On the Title Page

Item (12) should read:  
Zentmyer et al.

Please insert in Item (72) Inventor:  
--Cora Jokinen, Victor, NY (US)--

Signed and Sealed this  
Nineteenth Day of September, 2023



Katherine Kelly Vidal  
*Director of the United States Patent and Trademark Office*