

US00D848492S

(12) **United States Design Patent**  
**Choi et al.**

(10) **Patent No.:** **US D848,492 S**  
(45) **Date of Patent:** **\*\* May 14, 2019**

(54) **REFRIGERATOR**

(71) Applicant: **Samsung Electronics Co., Ltd.**,  
Suwon-si (KR)  
(72) Inventors: **Jun-Hyeok Choi**, Seongnam-si (KR);  
**Da-Jeong Kim**, Seoul (KR); **Su-Yeon**  
**Park**, Incheon-si (KR); **Sang-Woon**  
**Jeon**, Seoul (KR)  
(73) Assignee: **Samsung Electronics Co., Ltd.**,  
Suwon-si (KR)

(\*\*) Term: **15 Years**  
(21) Appl. No.: **29/623,281**  
(22) Filed: **Oct. 24, 2017**

(30) **Foreign Application Priority Data**

Apr. 26, 2017 (KR) ..... 30-2017-0019537

(51) **LOC (11) Cl.** ..... **15-07**

(52) **U.S. Cl.**  
USPC ..... **D15/86**

(58) **Field of Classification Search**

USPC ..... D15/79-91  
CPC ..... F02M 37/18; F02M 3/045; F02M 43/00;  
F02M 51/04; F02M 51/0614; F02M  
53/043; F02M 55/004; F02M 55/008;  
F02M 57/021; F02M 57/027; F02M  
59/025; F02M 59/10; F02M 5/00; F02M  
5/12; F02M 5/14; F02M 61/02; F02M  
61/045; F02M 61/14; F02M 61/145;  
F02M 61/18; F02M 61/184; F02M  
61/1853; F02M 61/20; F02M 65/003;  
F02M 69/00; F02M 69/041; F02M  
69/043; F02M 69/32; F02M 69/50; F02M  
(Continued)

(56) **References Cited**

**U.S. PATENT DOCUMENTS**

D657,804 S \* 4/2012 Lee ..... D15/86  
D657,805 S \* 4/2012 Cho ..... D15/86  
D671,151 S \* 11/2012 Seo ..... D15/86

(Continued)

**FOREIGN PATENT DOCUMENTS**

CN 201530055262 9/2015  
CN 201530379253 1/2016

(Continued)

*Primary Examiner* — Khawaja Anwar

(74) *Attorney, Agent, or Firm* — NSIP Law

(57) **CLAIM**

We claim the ornamental design for a refrigerator, as shown and described.

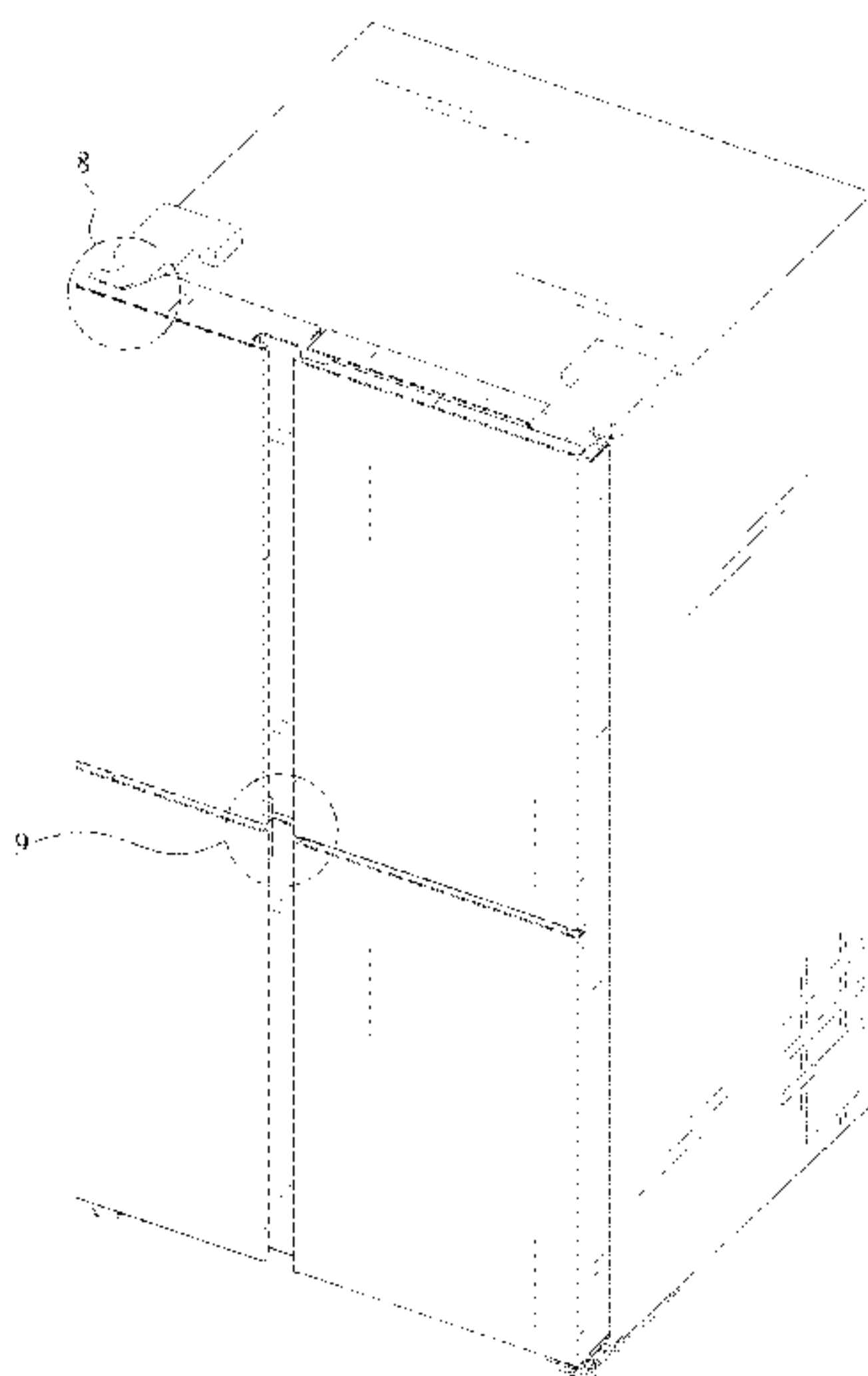
**DESCRIPTION**

FIG. 1 is a front perspective view of a refrigerator showing our new design;  
FIG. 2 is a front elevational view thereof;  
FIG. 3 is a rear elevational view thereof;  
FIG. 4 is a left-side elevational view thereof;  
FIG. 5 is a right-side elevational view thereof;  
FIG. 6 is a top plan view thereof;  
FIG. 7 is a bottom plan view thereof;  
FIG. 8 is an enlarged view of the encircled portion shown in FIG. 1;  
FIG. 9 is an enlarged view of the encircled portion shown in FIG. 1;  
FIG. 10 is an enlarged view of the encircled portion shown in FIG. 4; and,  
FIG. 11 is a front perspective view of the refrigerator shown in an open position.

The evenly spaced broken lines in the figures depict environmental subject matter and form no part of the claimed design.

The dot-dash broken lines encircling portions of the claimed design that are illustrated in enlargements form no part of the claimed design.

**1 Claim, 11 Drawing Sheets**



(58) **Field of Classification Search**

CPC .. 7/10; F02M 7/12; F02M 7/133; F02M 7/17;  
F02M 9/12; F02M 9/127; F02M 9/14

See application file for complete search history.

(56) **References Cited**

U.S. PATENT DOCUMENTS

D715,335 S 10/2014 Kim  
D744,549 S \* 12/2015 Park ..... D15/91  
D744,551 S \* 12/2015 Park ..... D15/91

FOREIGN PATENT DOCUMENTS

CN 201530379260 1/2016  
JP D1549305 5/2016

\* cited by examiner

FIG. 1

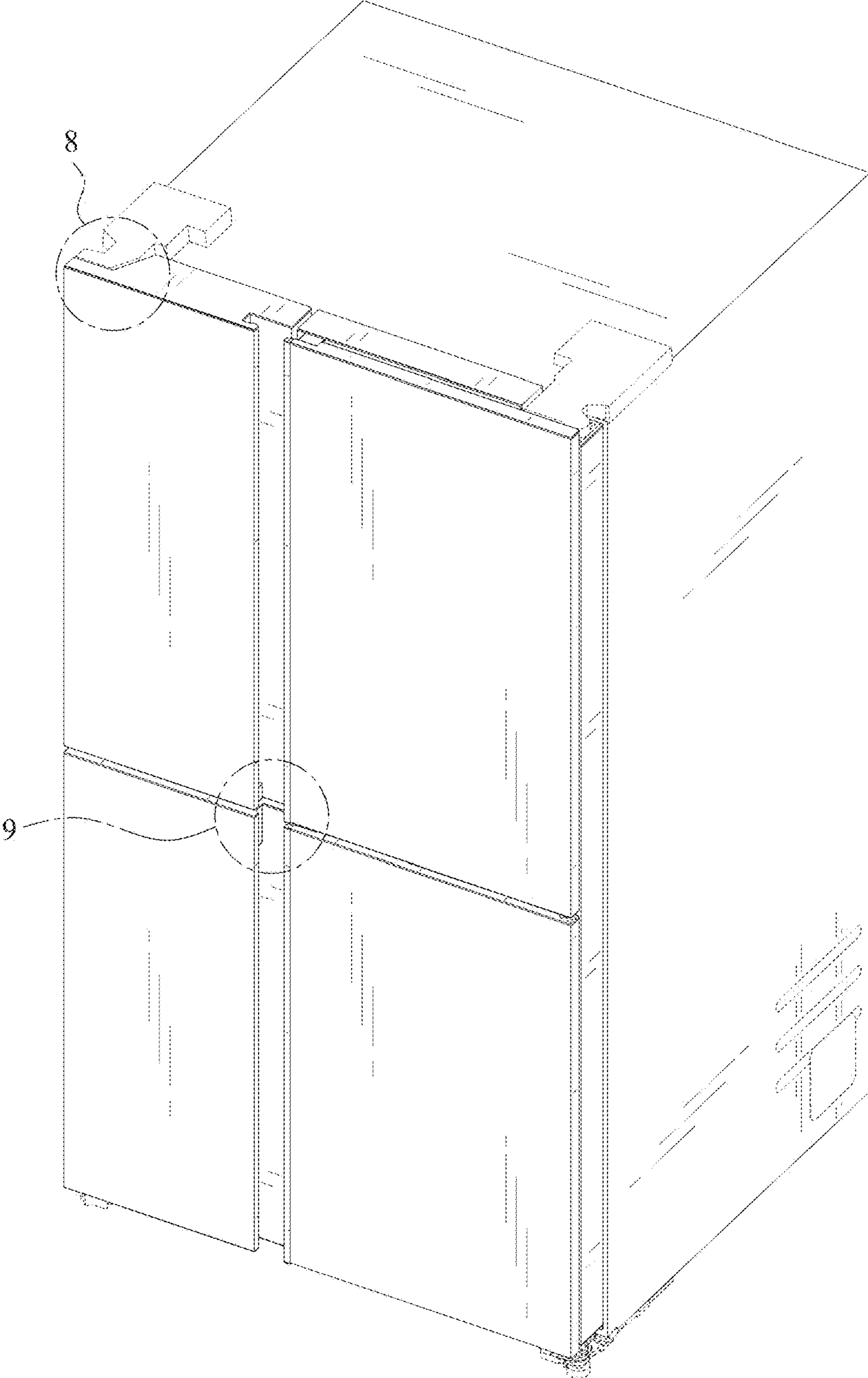


FIG. 2

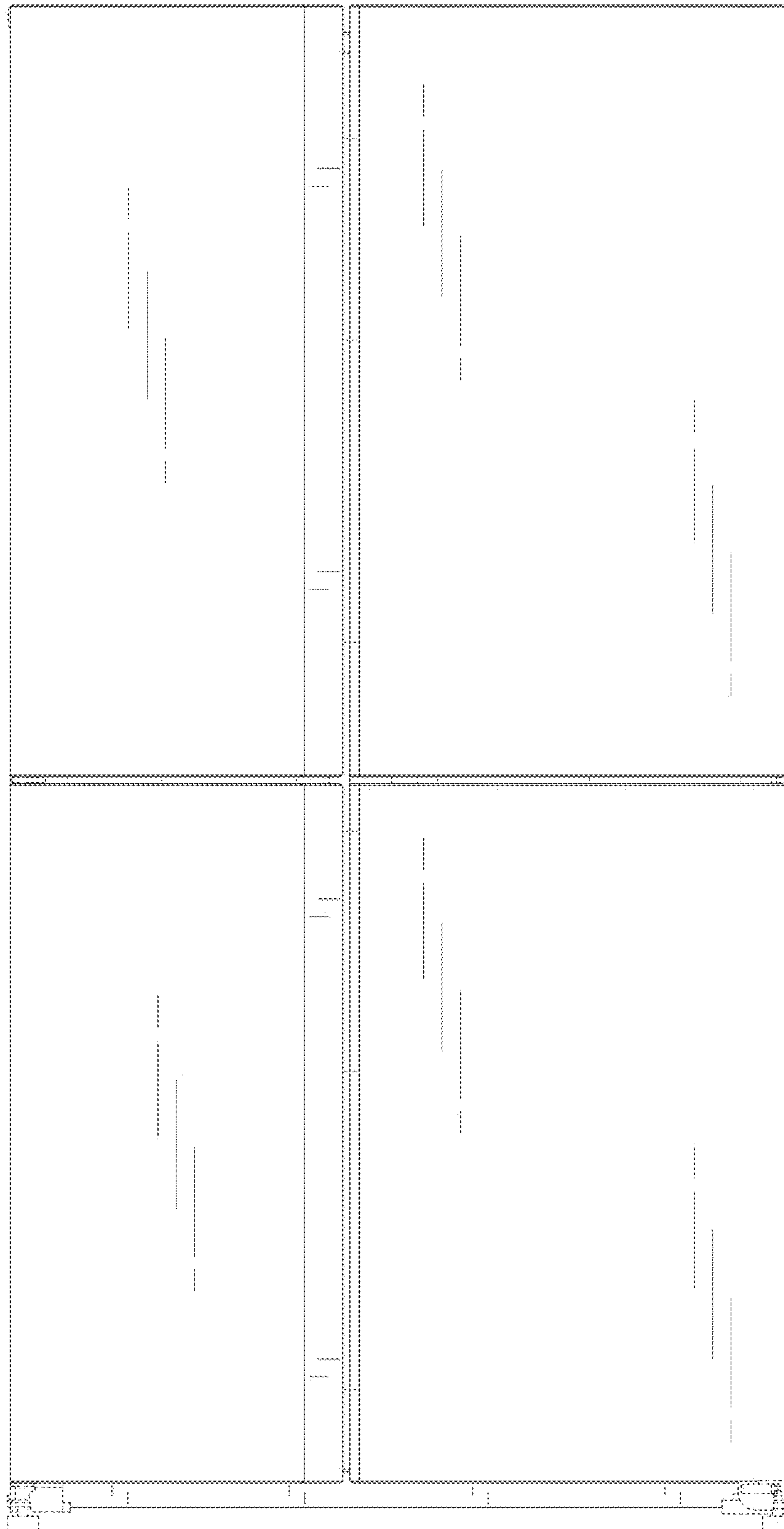


FIG. 3



FIG. 4

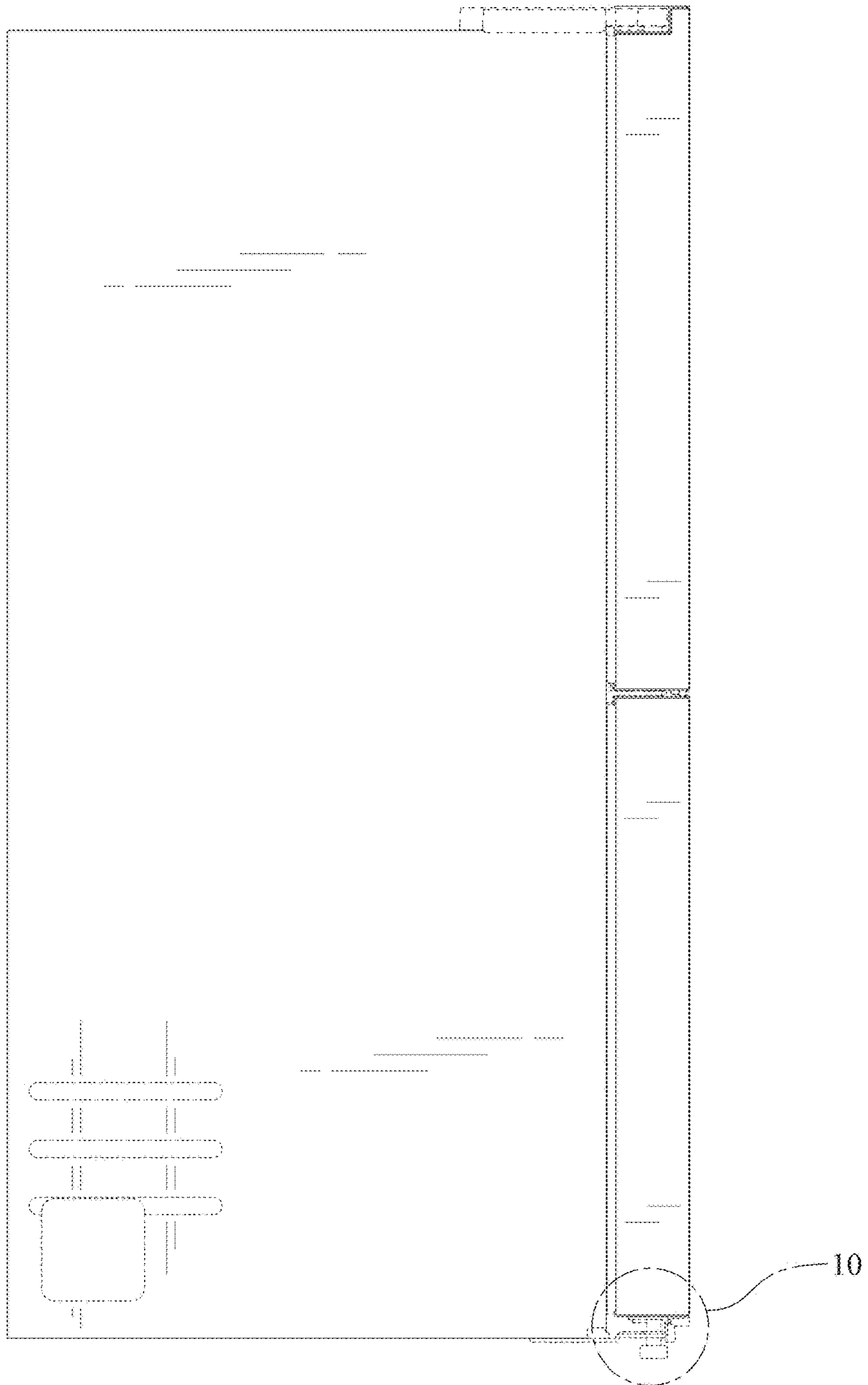




FIG. 5

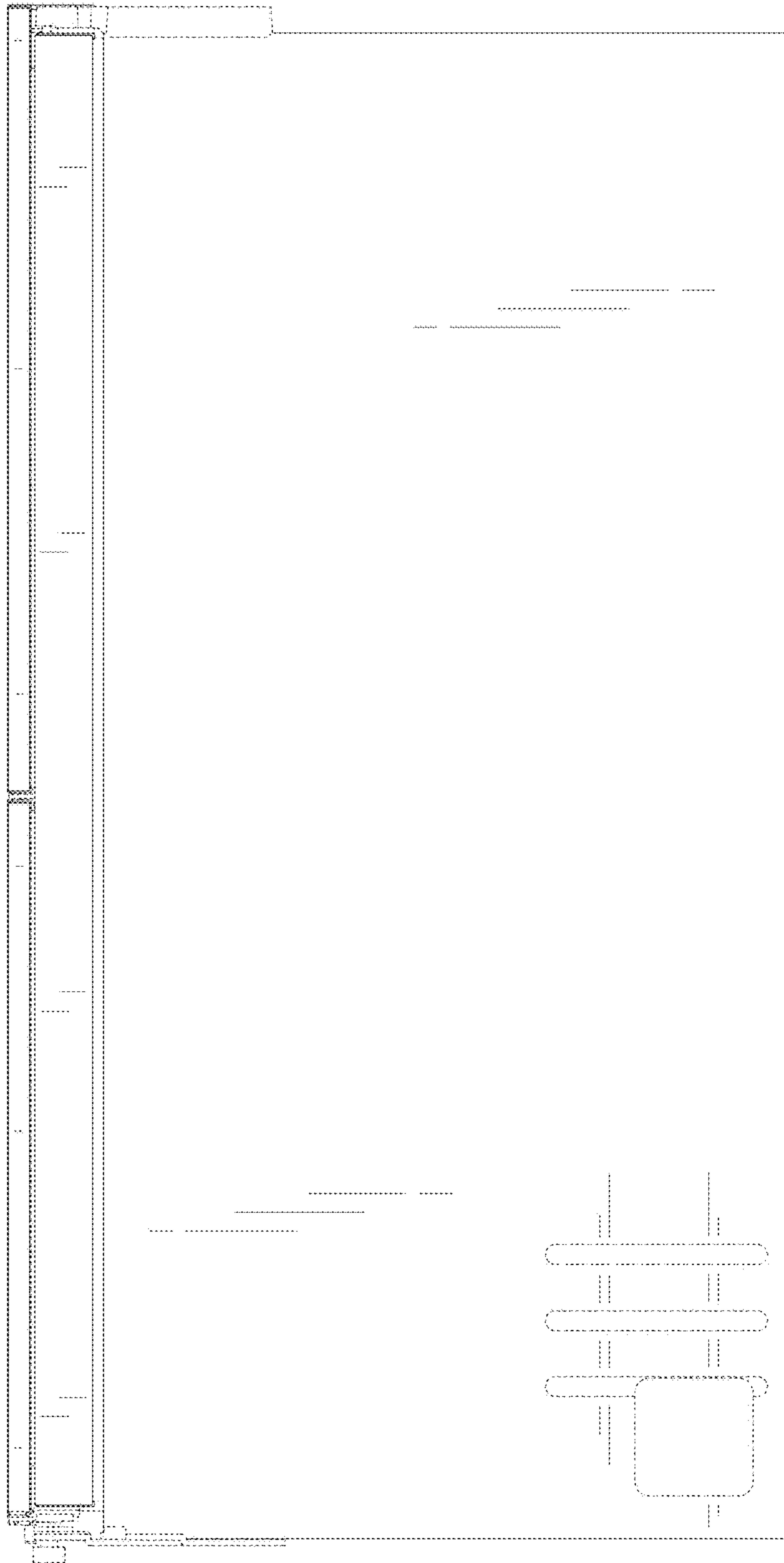


FIG. 6

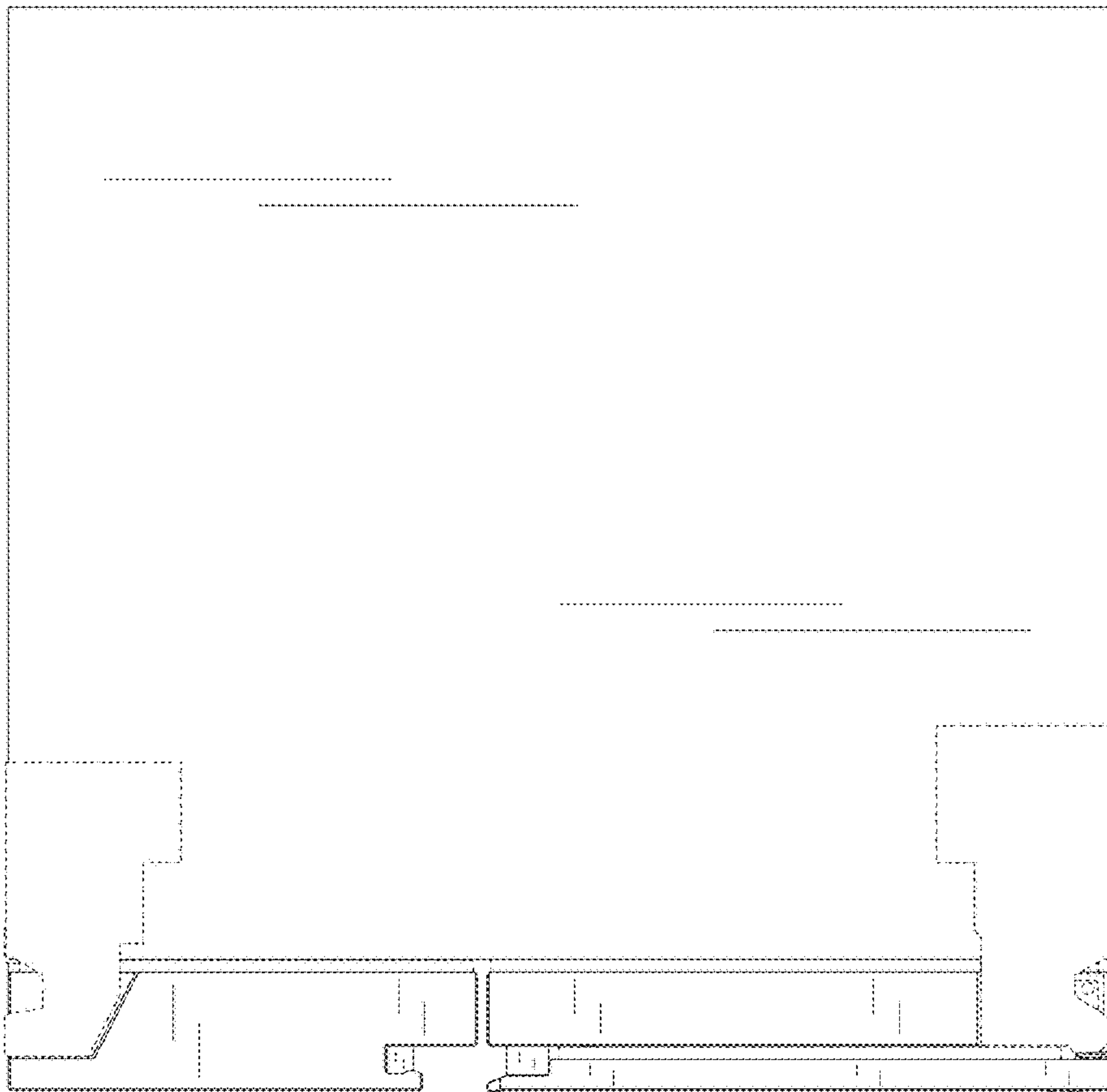




FIG. 7

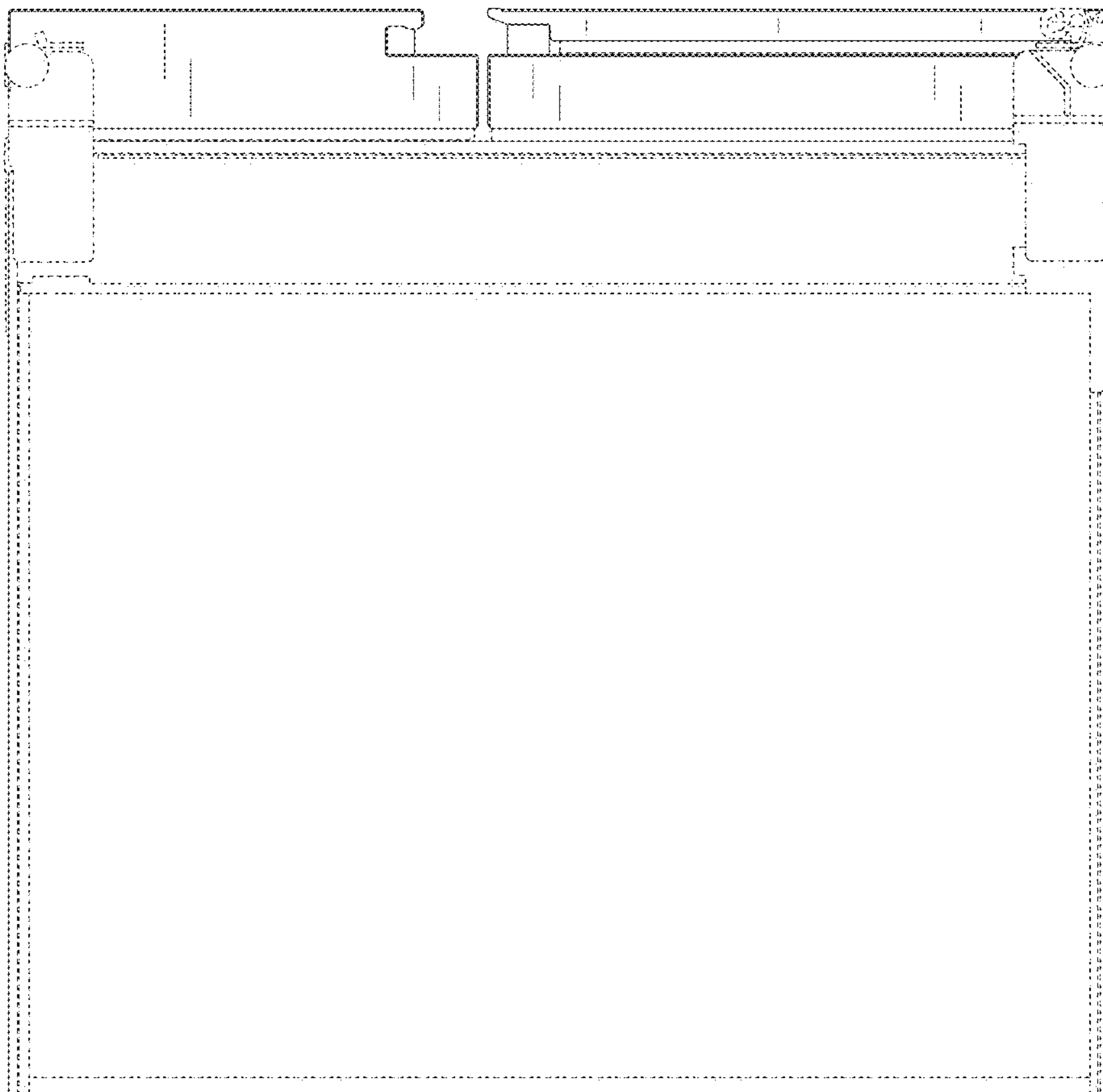


FIG. 8

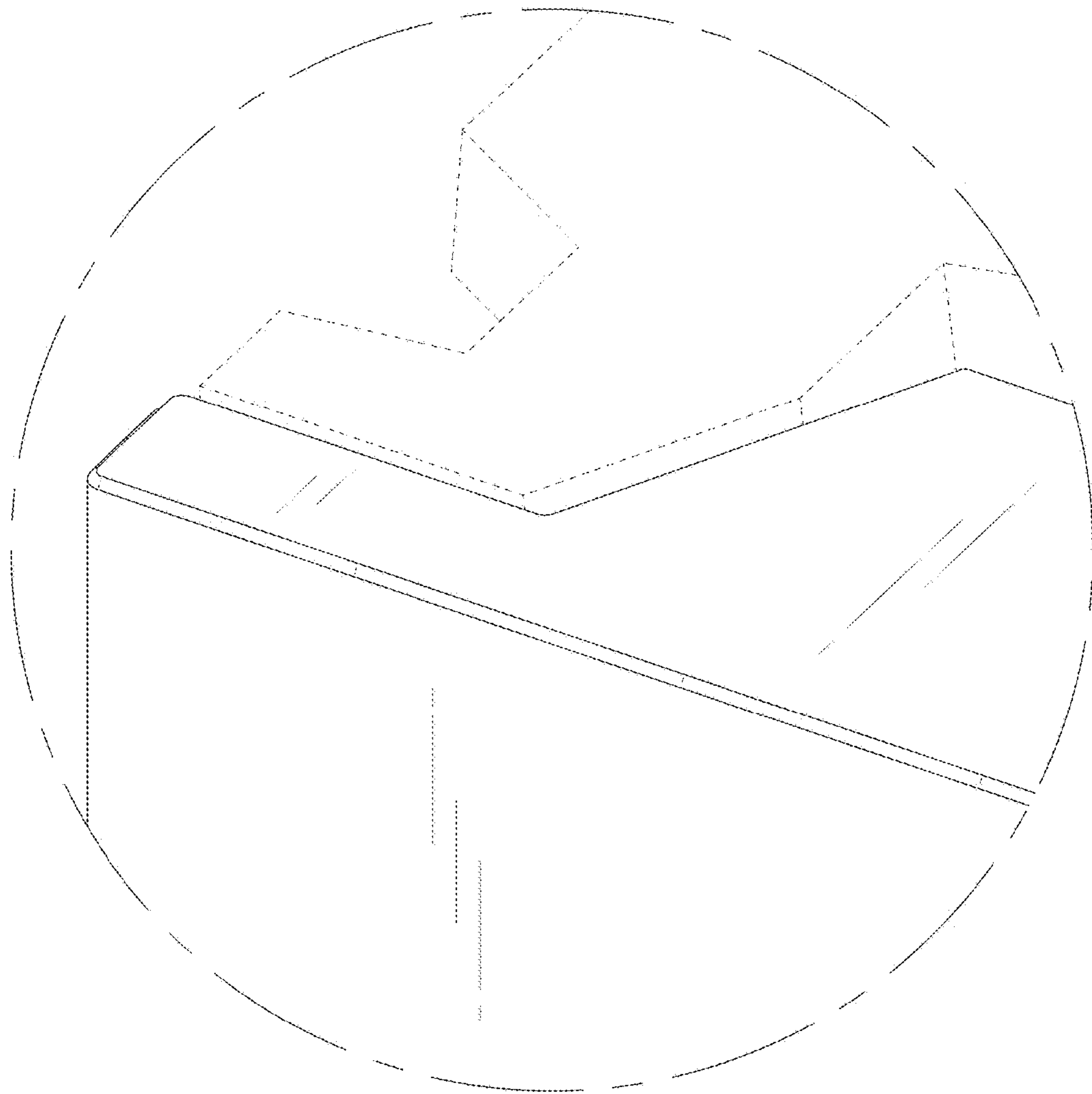


FIG. 9

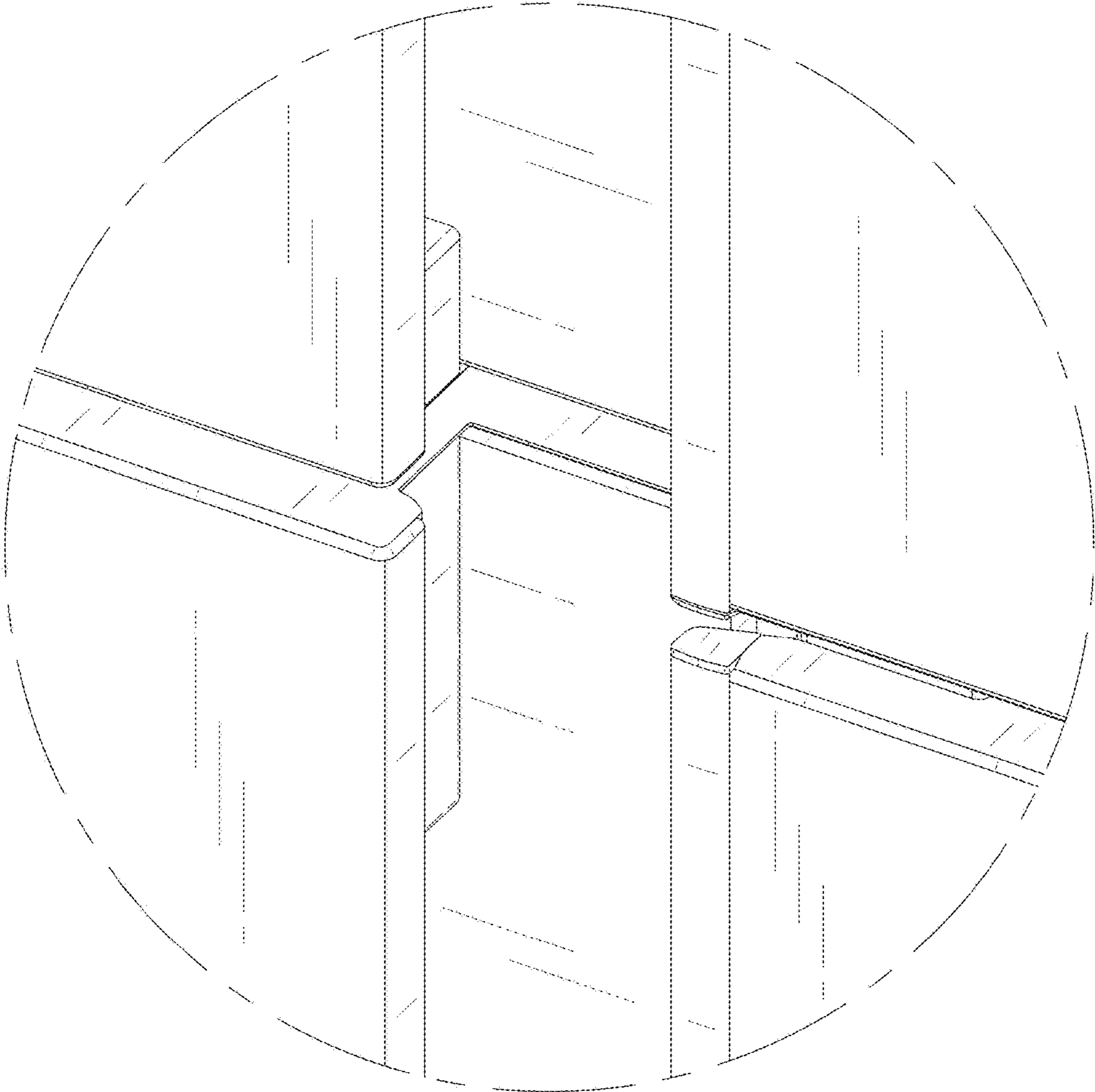


FIG. 10

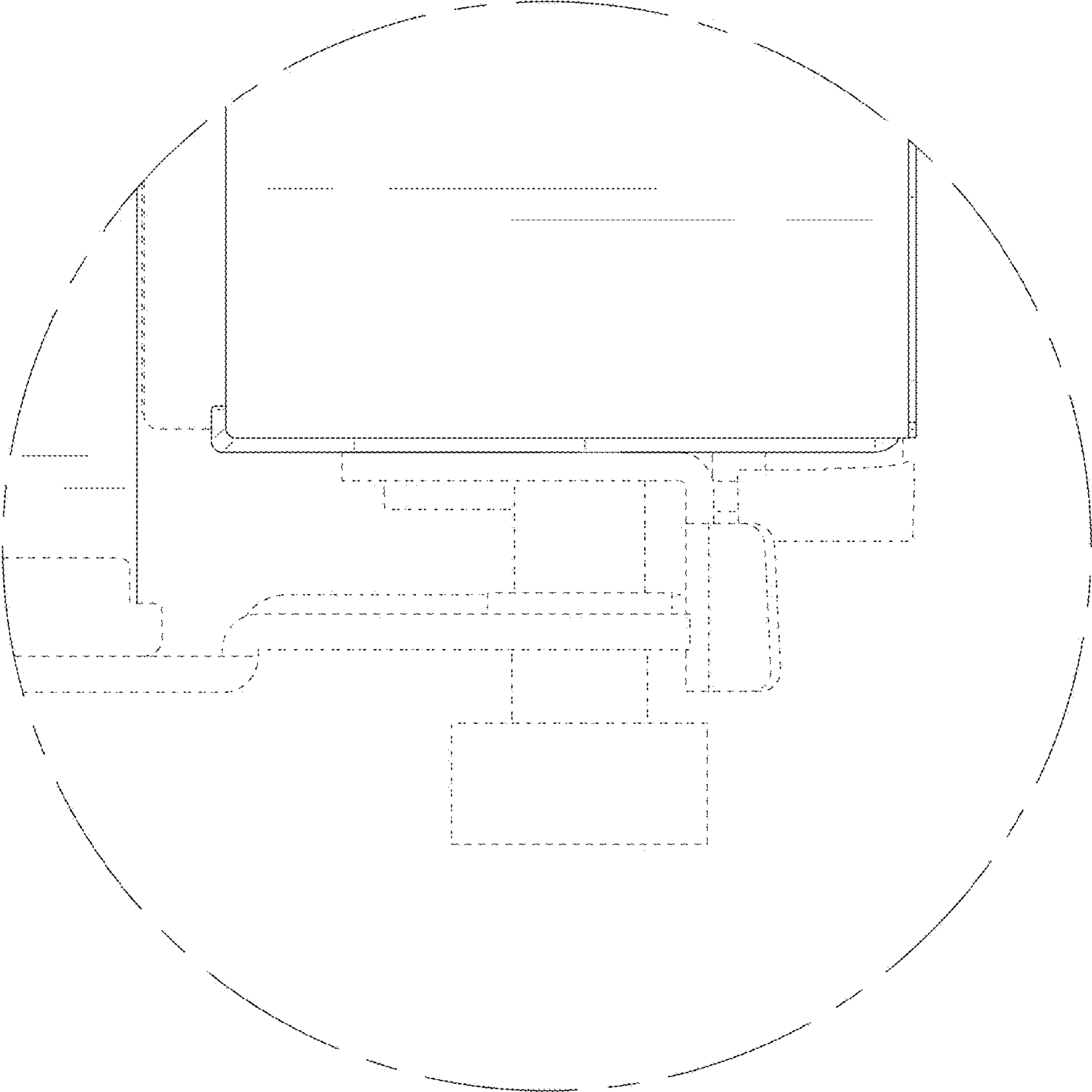


FIG. 11

