



US00D848491S

(12) **United States Design Patent**  
**Izaki**

(10) **Patent No.:** **US D848,491 S**

(45) **Date of Patent:** **\*\* May 14, 2019**

(54) **SEWING MACHINE**

CPC ..... D05B 1/00-25/00  
See application file for complete search history.

(71) Applicant: **JANOME SEWING MACHINE Co., Ltd.**, Hachioji-shi, Tokyo (JP)

(56) **References Cited**

(72) Inventor: **Akihiro Izaki**, Hachioji (JP)

U.S. PATENT DOCUMENTS

(73) Assignee: **JANOME SEWING MACHINE CO., LTD.**, Hachioji-Shi, Tokyo (JP)

D164,709 S *	10/1951	Park	.....	D15/69
D215,368 S *	9/1969	Milan	.....	D15/69
D339,360 S *	9/1993	Takagi	.....	D15/69
D369,813 S *	5/1996	Wu	.....	D15/69
D735,249 S *	7/2015	Harada	.....	D15/69

(\*\*) Term: **15 Years**

\* cited by examiner

(21) Appl. No.: **29/628,532**

*Primary Examiner* — Mitchell I. Siegel

(22) Filed: **Dec. 5, 2017**

(74) *Attorney, Agent, or Firm* — McGinn IP Law Group, PLLC

(30) **Foreign Application Priority Data**

(57) **CLAIM**

Jul. 12, 2017 (JP) ..... 2017-014993

The ornamental design for sewing machine, as shown and described.

(51) **LOC (11) Cl.** ..... **15-06**

**DESCRIPTION**

(52) **U.S. Cl.**

USPC ..... **D15/69**

(58) **Field of Classification Search**

USPC ..... D15/66-78

FIG. 1 is a front elevational view of a sewing machine showing my new design;  
 FIG. 2 is a rear elevational view thereof;  
 FIG. 3 is a left side elevational view thereof;  
 FIG. 4 is a right side elevational view thereof;  
 FIG. 5 is a top plan view thereof;  
 FIG. 6 is a bottom plan view thereof;  
 FIG. 7 is a left and front perspective view thereof; and,  
 FIG. 8 is a right and front perspective view thereof.

**1 Claim, 8 Drawing Sheets**

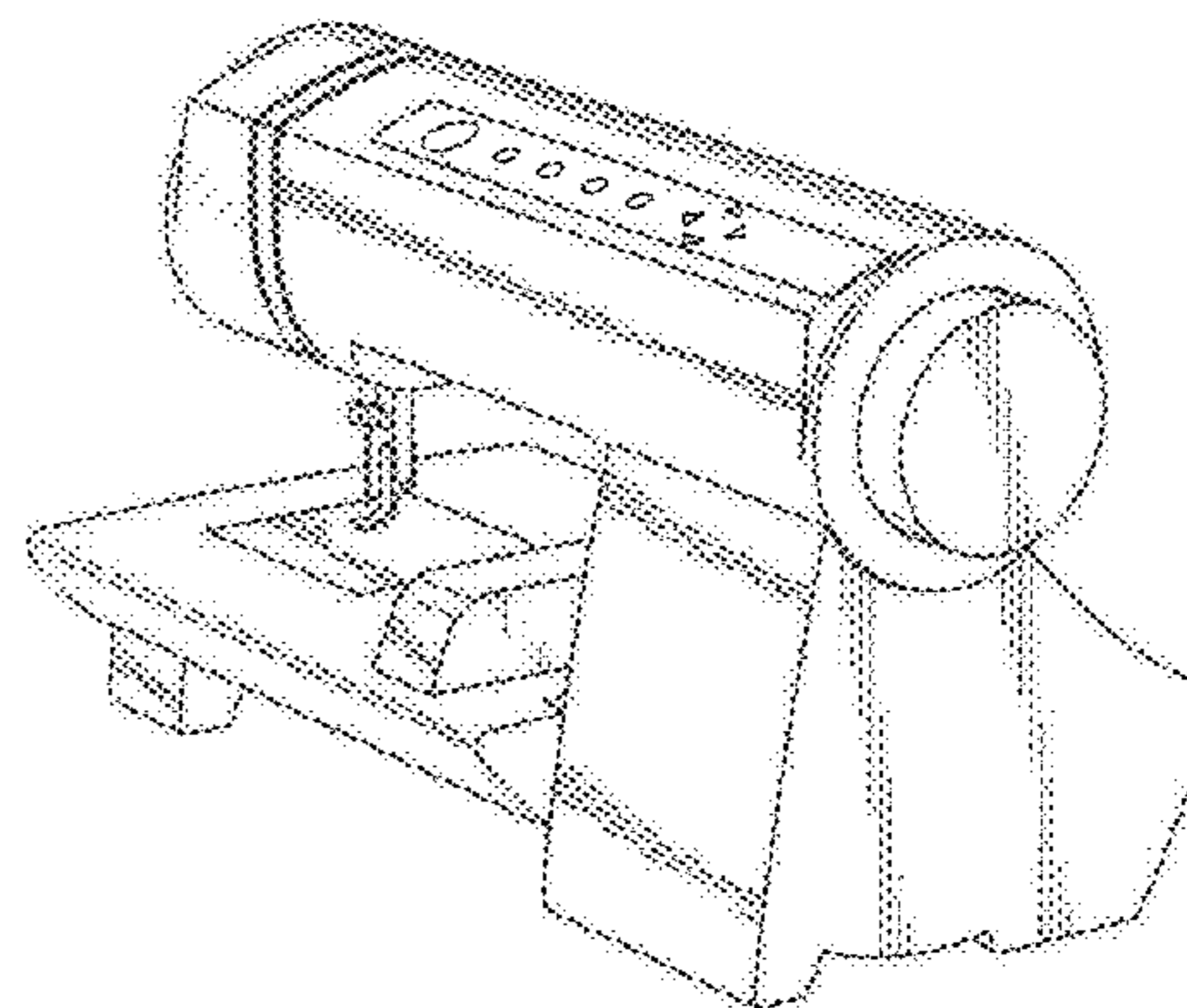
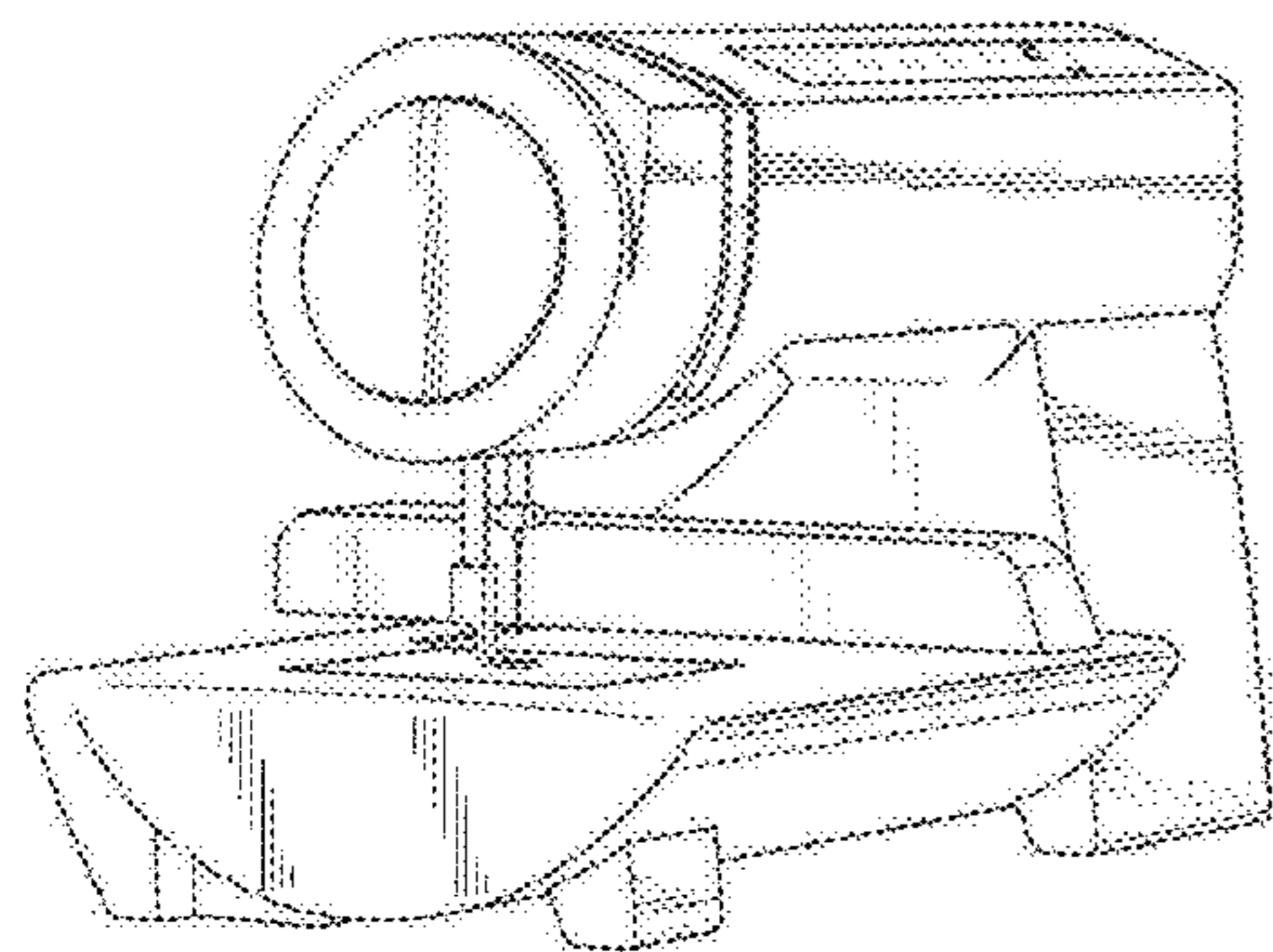
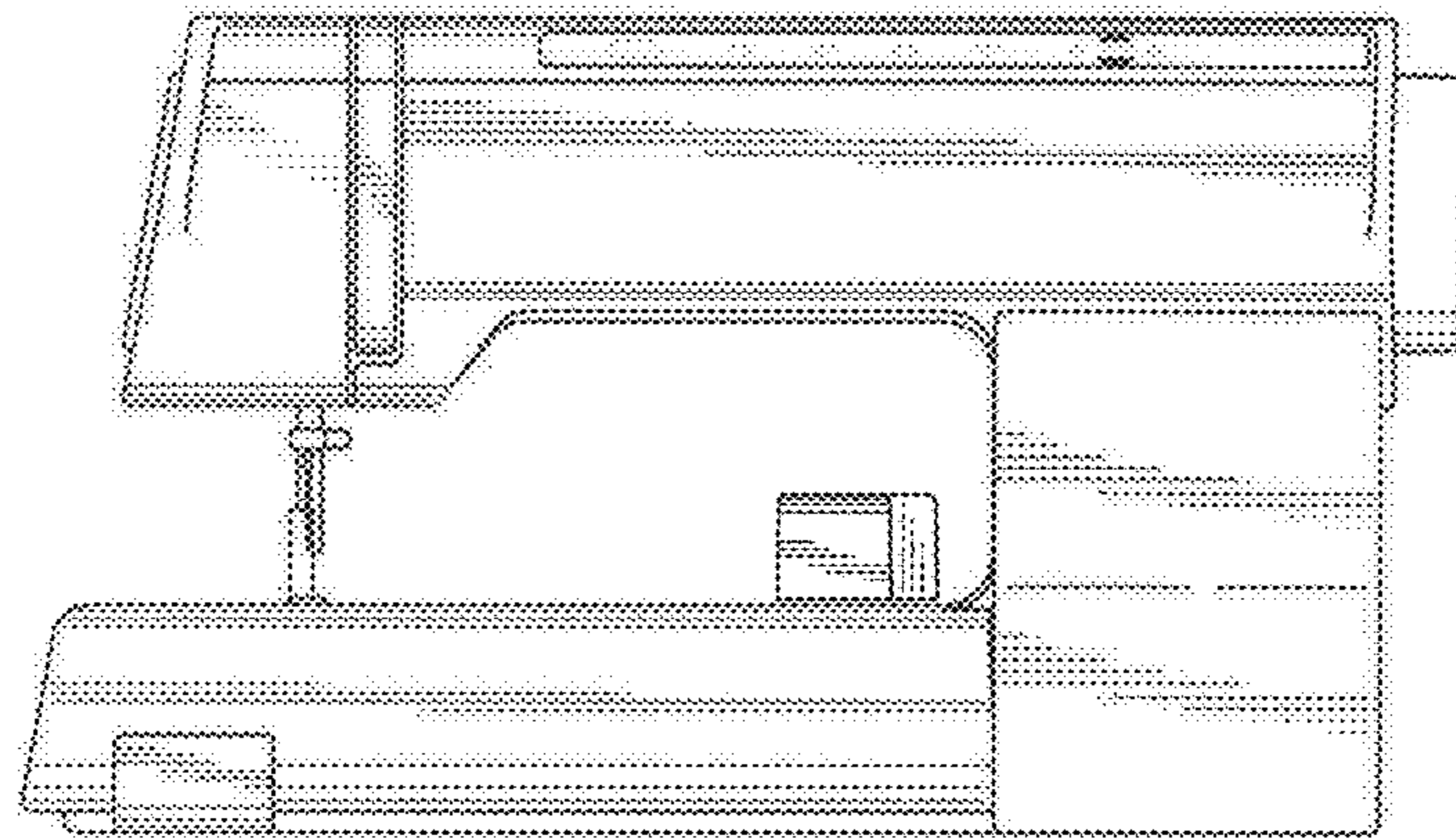


Fig. 1



F i g . 2

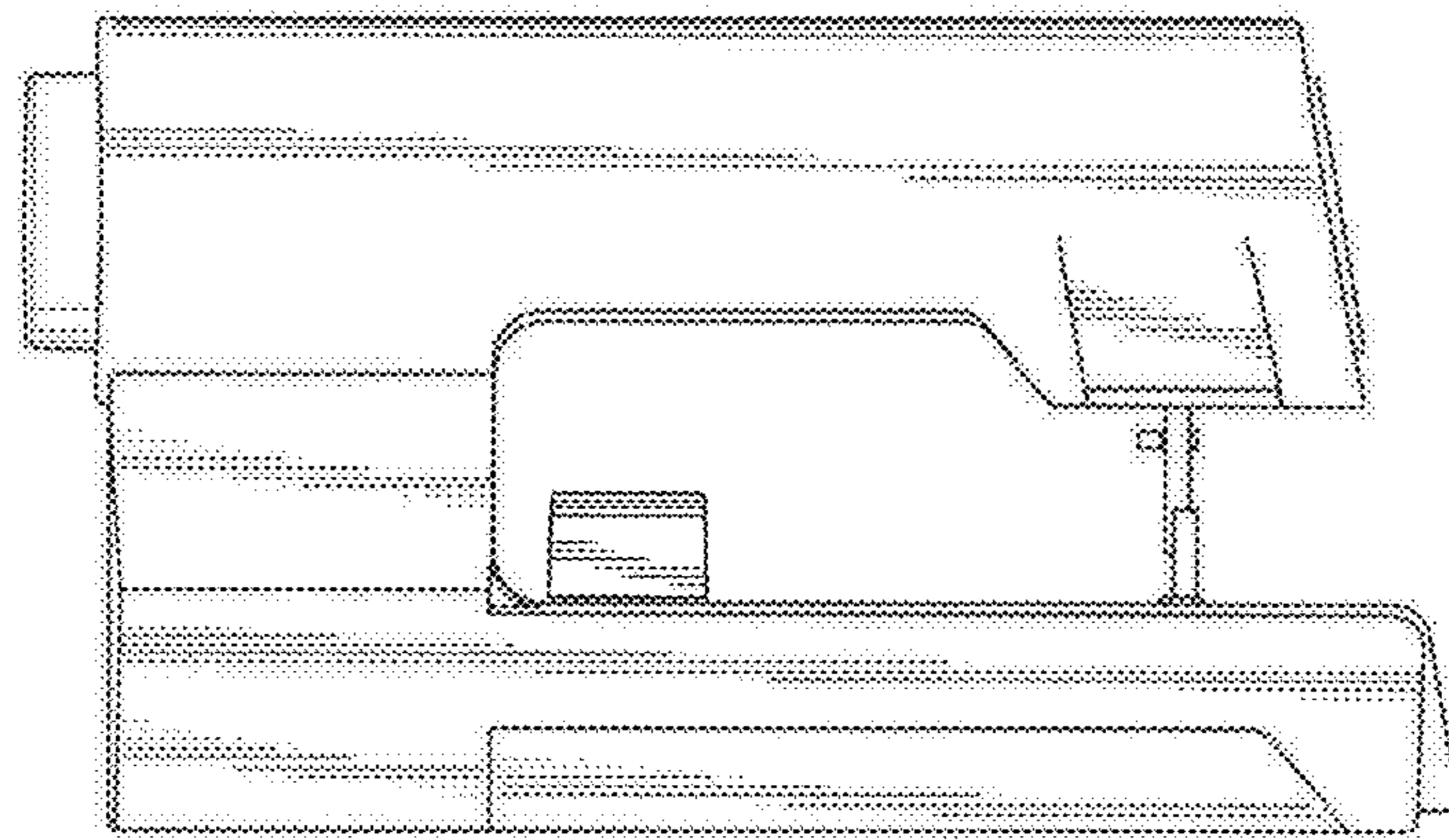


Fig. 3

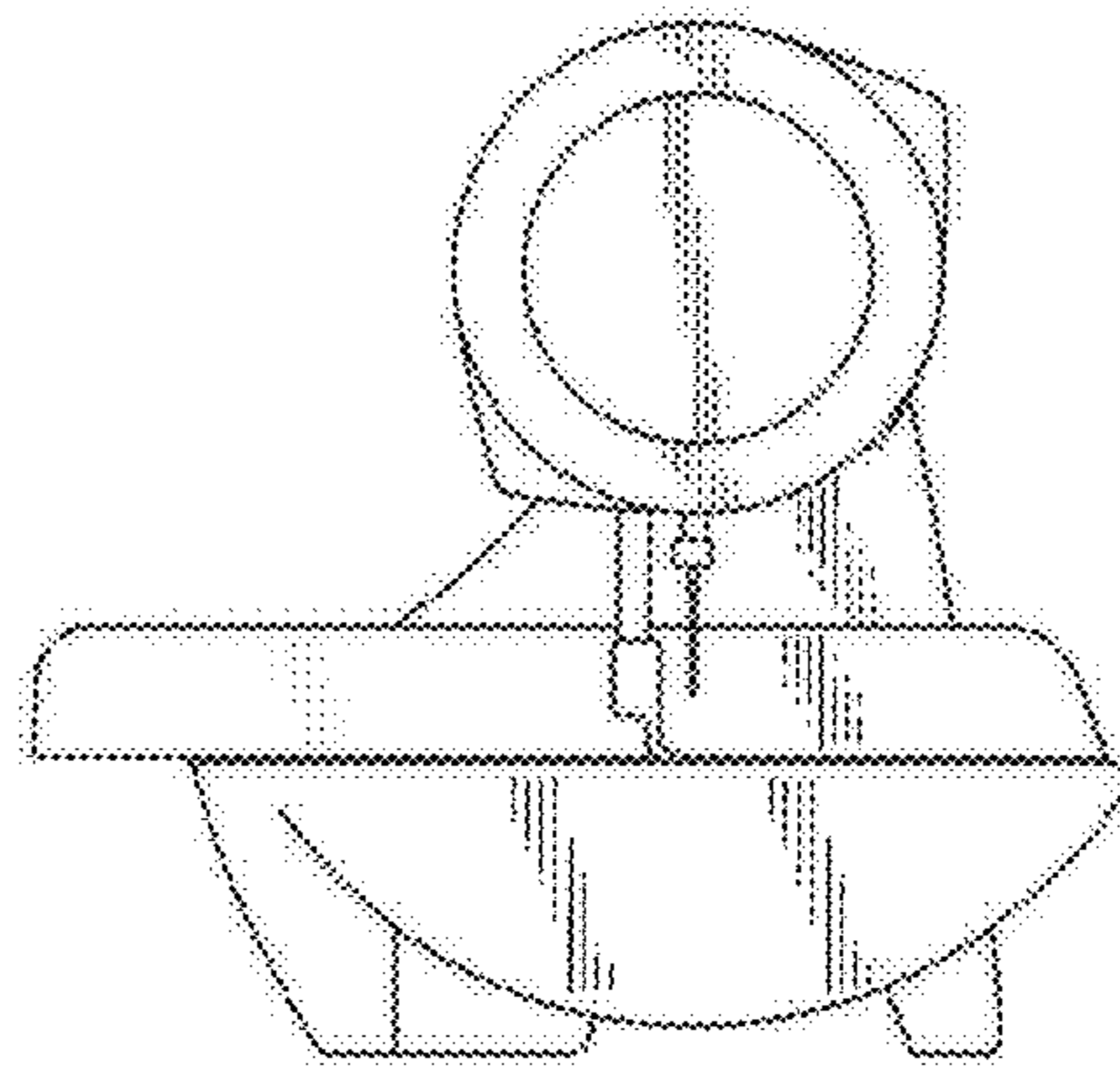
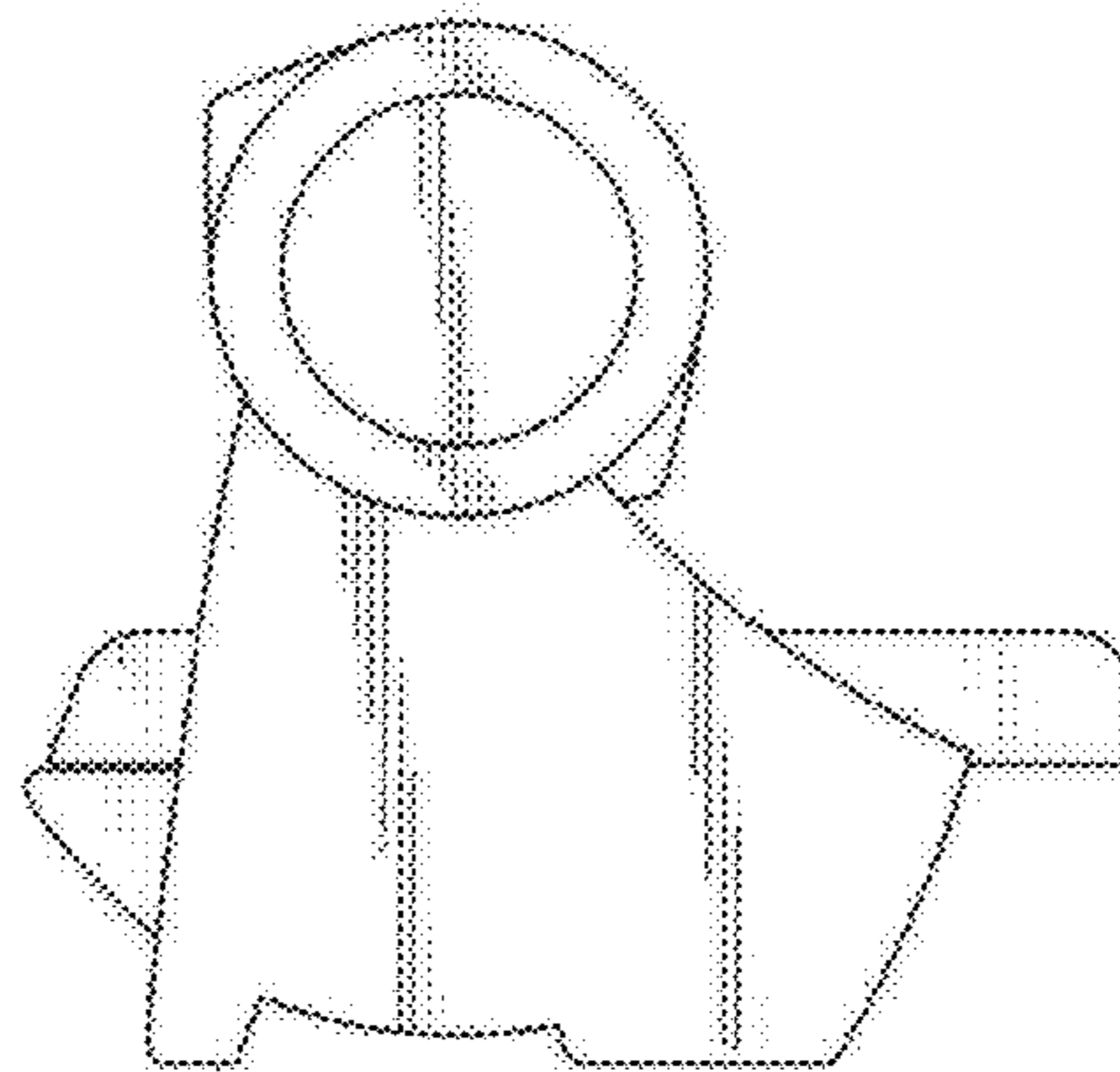
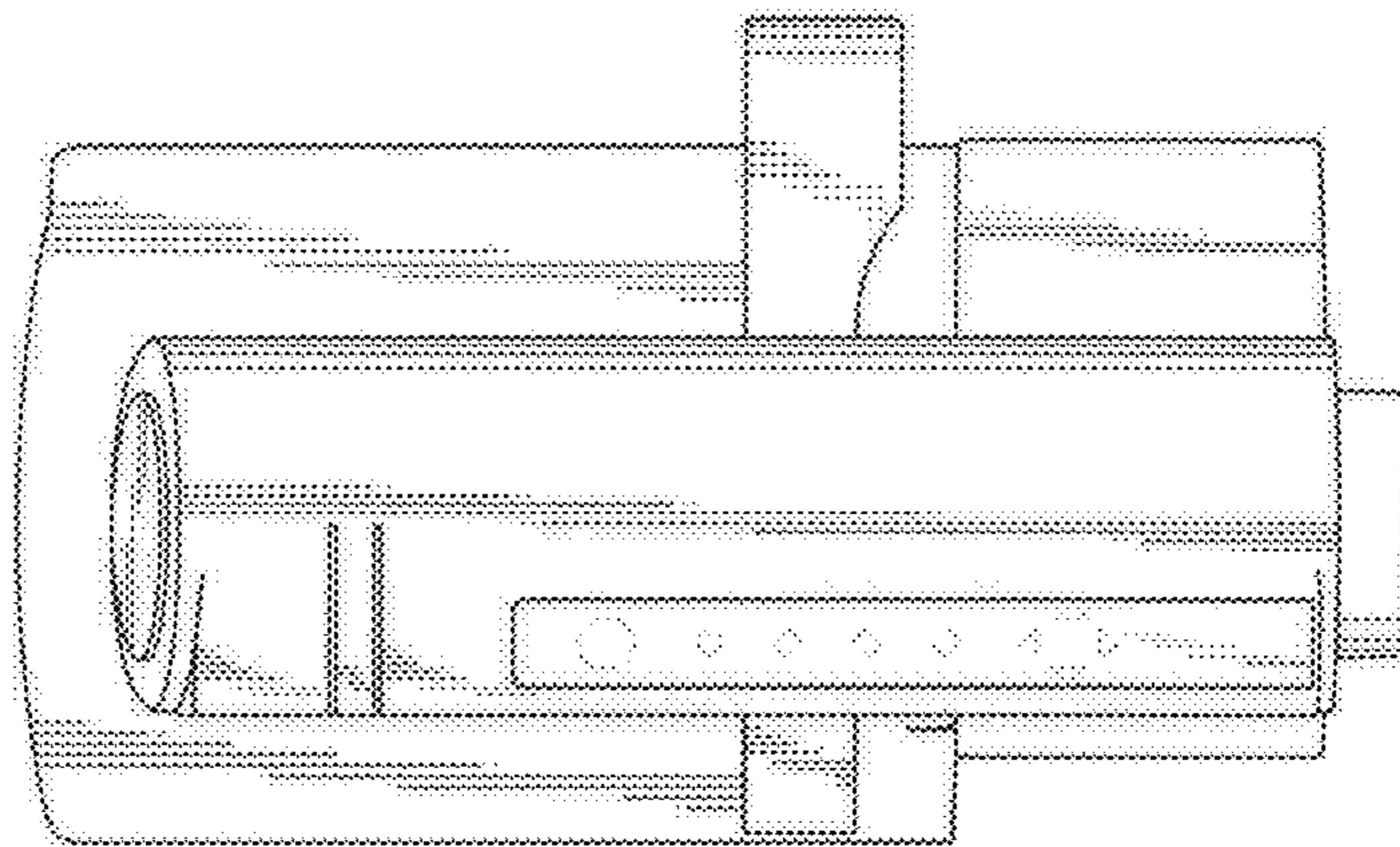


Fig. 4



F i g . 5



F i g . 6

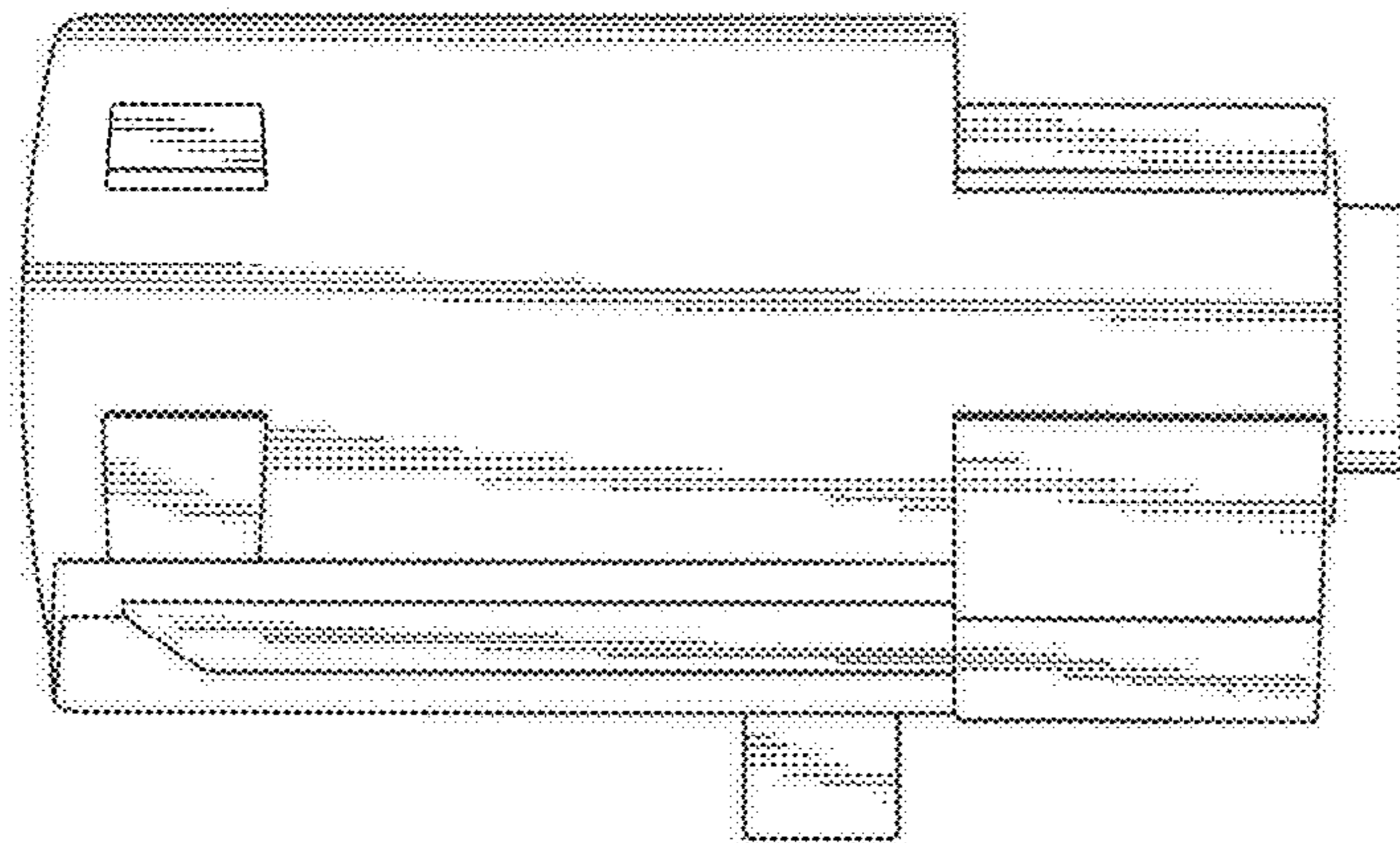




Fig. 7

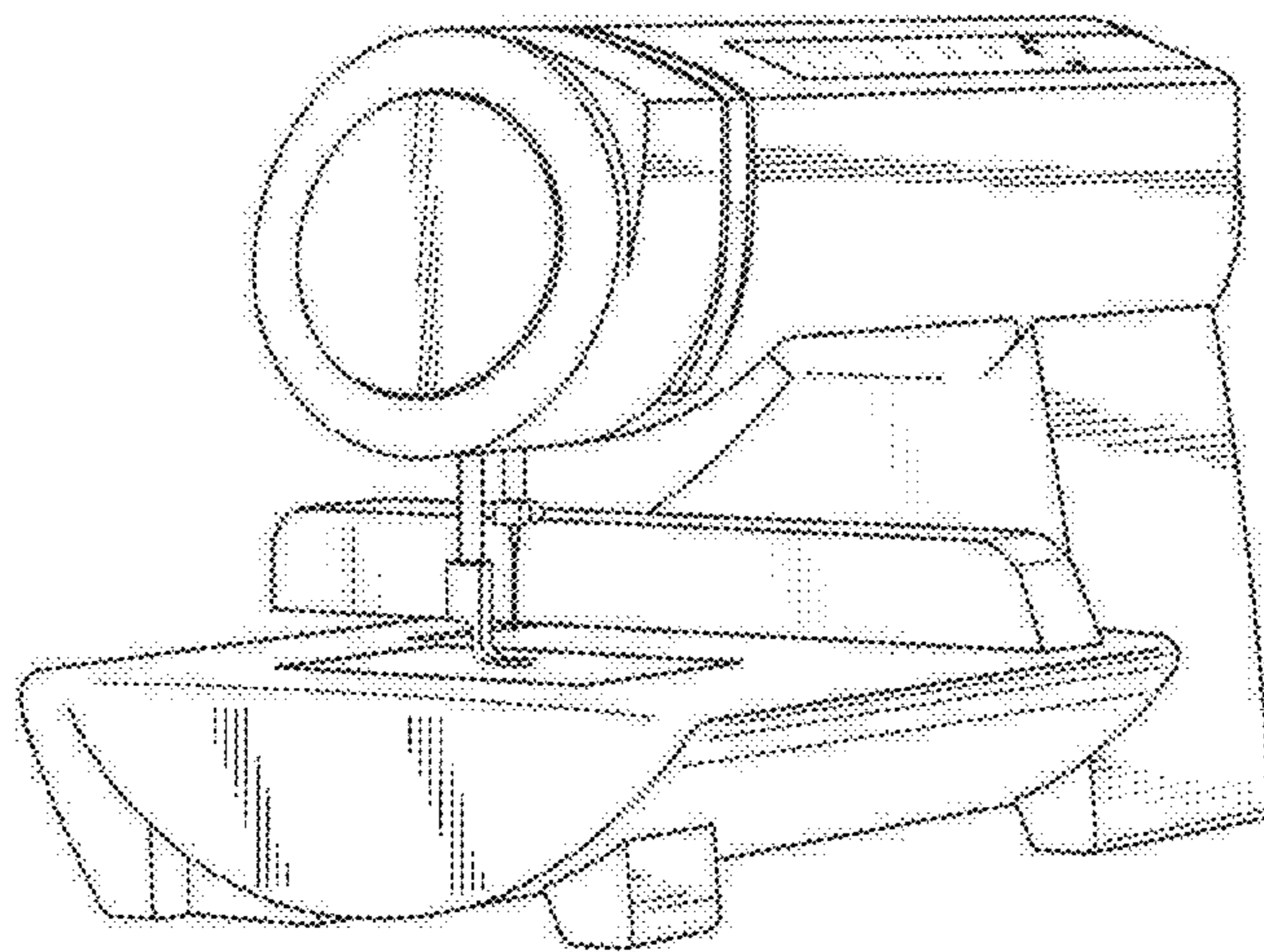




Fig. 8

