



US00D848490S

(12) **United States Design Patent** (10) **Patent No.:** **US D848,490 S**
Sakakibara (45) **Date of Patent:** **** May 14, 2019**

- (54) **SIEVE FRAME FOR SIFTER** 7,549,543 B2 * 6/2009 Kato B07B 1/18
 209/300
 (71) Applicant: **TSUKASA CO., LTD.**, Handa-shi 7,699,178 B2 * 4/2010 Kato B07B 1/50
 Aichi (JP) 209/288
 7,861,866 B1 * 1/2011 Ondrias B07B 1/4645
 209/381
 (72) Inventor: **Yoshio Sakakibara**, Handa (JP) 9,992,983 B1 * 6/2018 Sobecki B07B 1/55
 2006/0102527 A1 * 5/2006 Kato B07B 1/18
 209/411
 (73) Assignee: **TSUKASA CO., LTD.**, Aichi (JP) 2007/0108107 A1 * 5/2007 Morrow B07B 1/46
 209/405
 (**) Term: **15 Years** 2008/0017555 A1 * 1/2008 Schumacher B07B 1/52
 209/379
 (21) Appl. No.: **29/632,026** 2009/0159507 A1 * 6/2009 Mainwaring B07B 1/38
 209/366
 (22) Filed: **Jan. 4, 2018** 2010/0006480 A1 * 1/2010 Moosmann B07B 1/38
 209/357
 (30) **Foreign Application Priority Data** 2018/0271074 A1 * 9/2018 Sobecki B07B 1/46

- Jul. 7, 2017 (JP) 2017-14736
 (51) **LOC (11) Cl.** **15-03**
 (52) **U.S. Cl.**
 USPC **D15/28**
 (58) **Field of Classification Search**
 USPC D15/10, 17, 28, 147
 CPC B01D 33/0346; B01D 33/0376;
 B01D 33/42; B06B 3/00; B07B 1/40;
 B07B 1/42; B07B 1/46; B07B 1/4633;
 B07B 1/4672; B07B 1/50; B07B 1/522;
 B07B 1/54; B07B 13/16
 See application file for complete search history.

- (56) **References Cited**
 U.S. PATENT DOCUMENTS
 5,653,346 A * 8/1997 Frei B01D 33/0346
 209/254
 6,364,118 B1 * 4/2002 Anderle B07B 1/06
 209/379
 D480,096 S * 9/2003 Hovian D15/147
 7,410,064 B2 * 8/2008 Kato B07B 1/18
 209/300

* cited by examiner
Primary Examiner — Mark A Goodwin
 (74) *Attorney, Agent, or Firm* — Brundidge & Stanger,
 P.C.

(57) **CLAIM**
 The ornamental design of a sieve frame for a sifter, as shown
 and described.

DESCRIPTION
 FIG. 1 is a front view of a sieve frame for a sifter in
 accordance with the present invention;
 FIG. 2 is a back view thereof;
 FIG. 3 is a left side view thereof;
 FIG. 4 is a right side view thereof;
 FIG. 5 is a plan view thereof; and,
 FIG. 6 is a bottom view thereof.
 The dashed broken lines in the figures show portions of the
 sieve frame for the sifter that form no part of the claimed
 design.

1 Claim, 6 Drawing Sheets

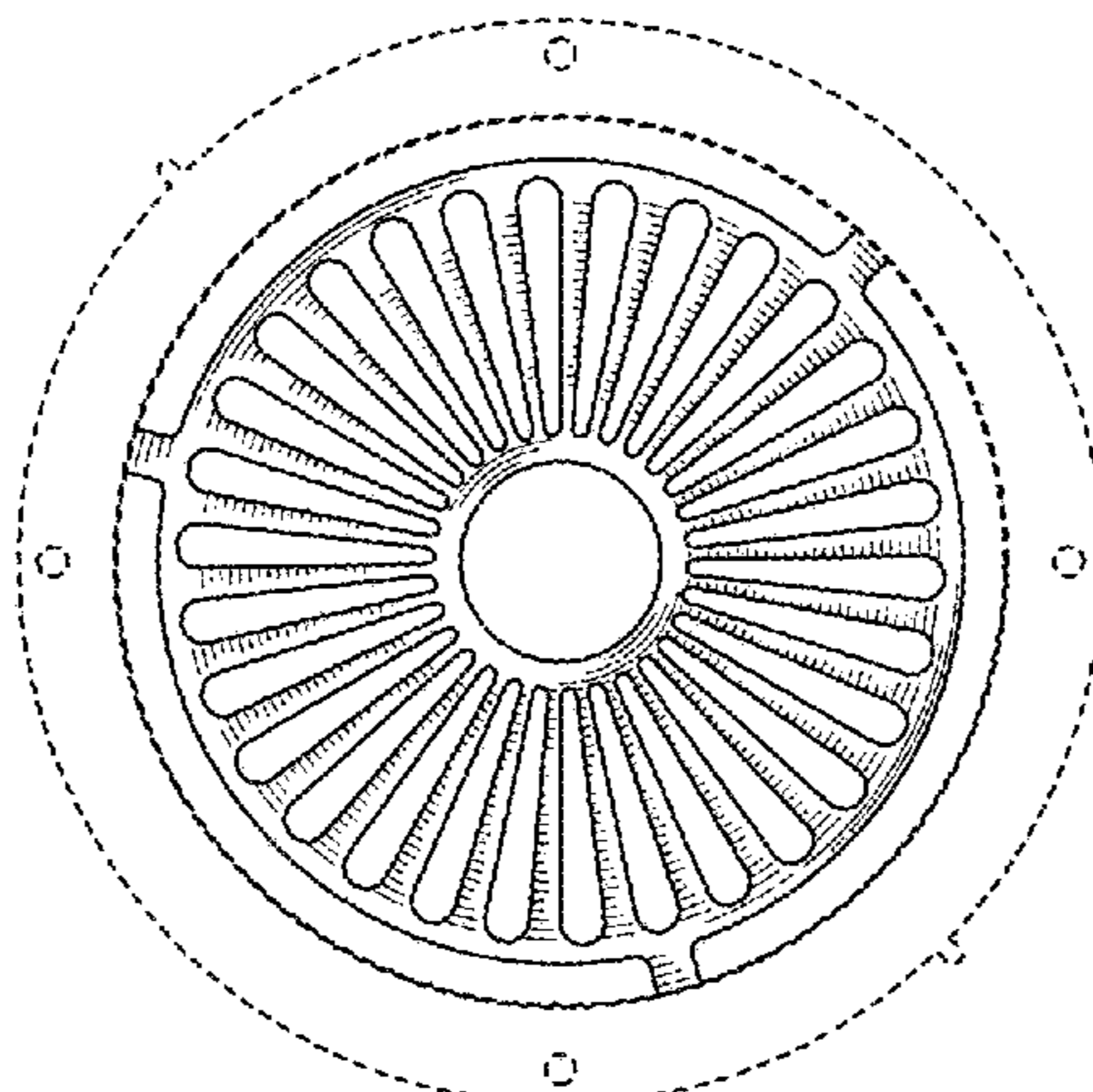


FIG. 1

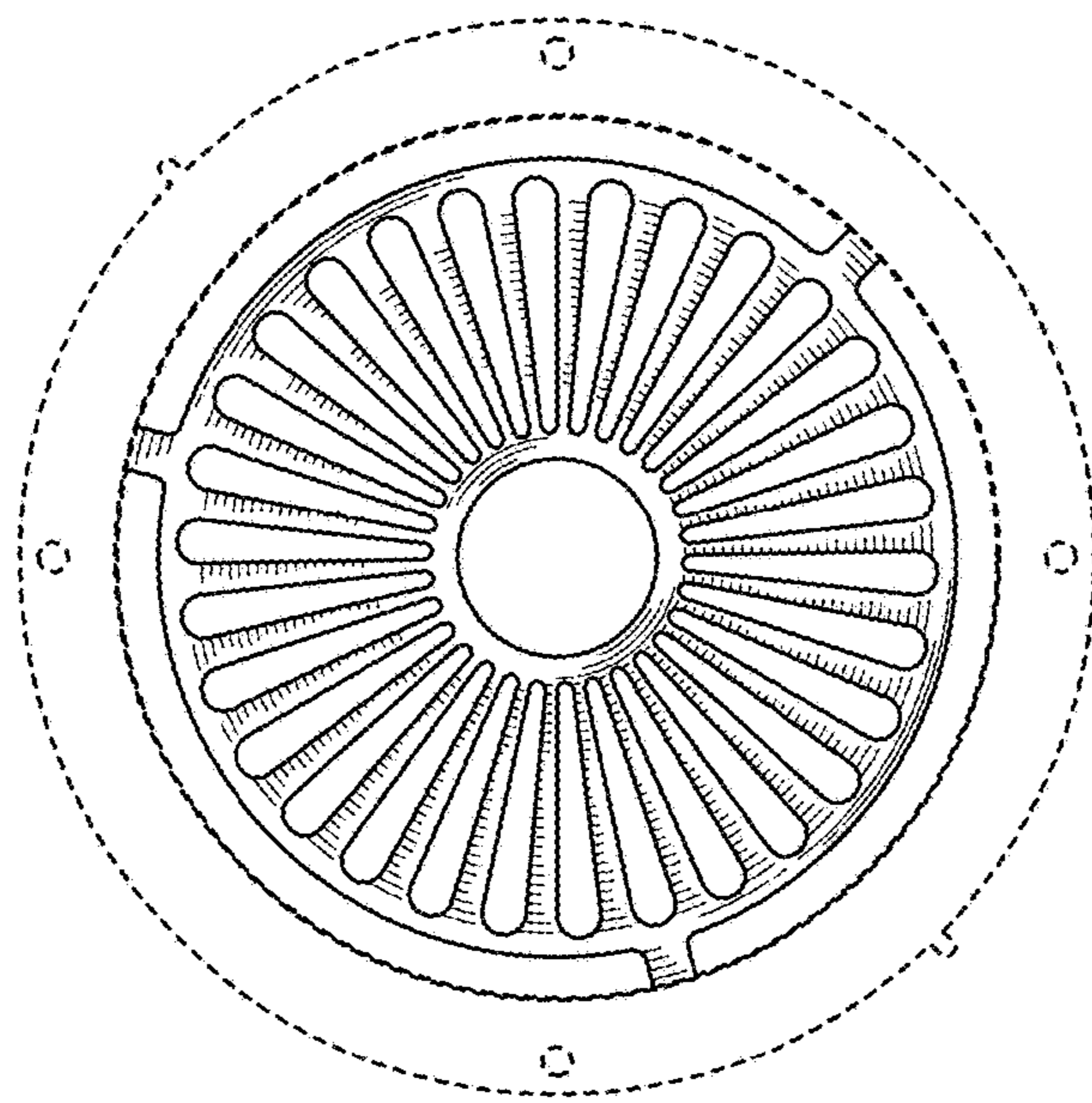


FIG. 2

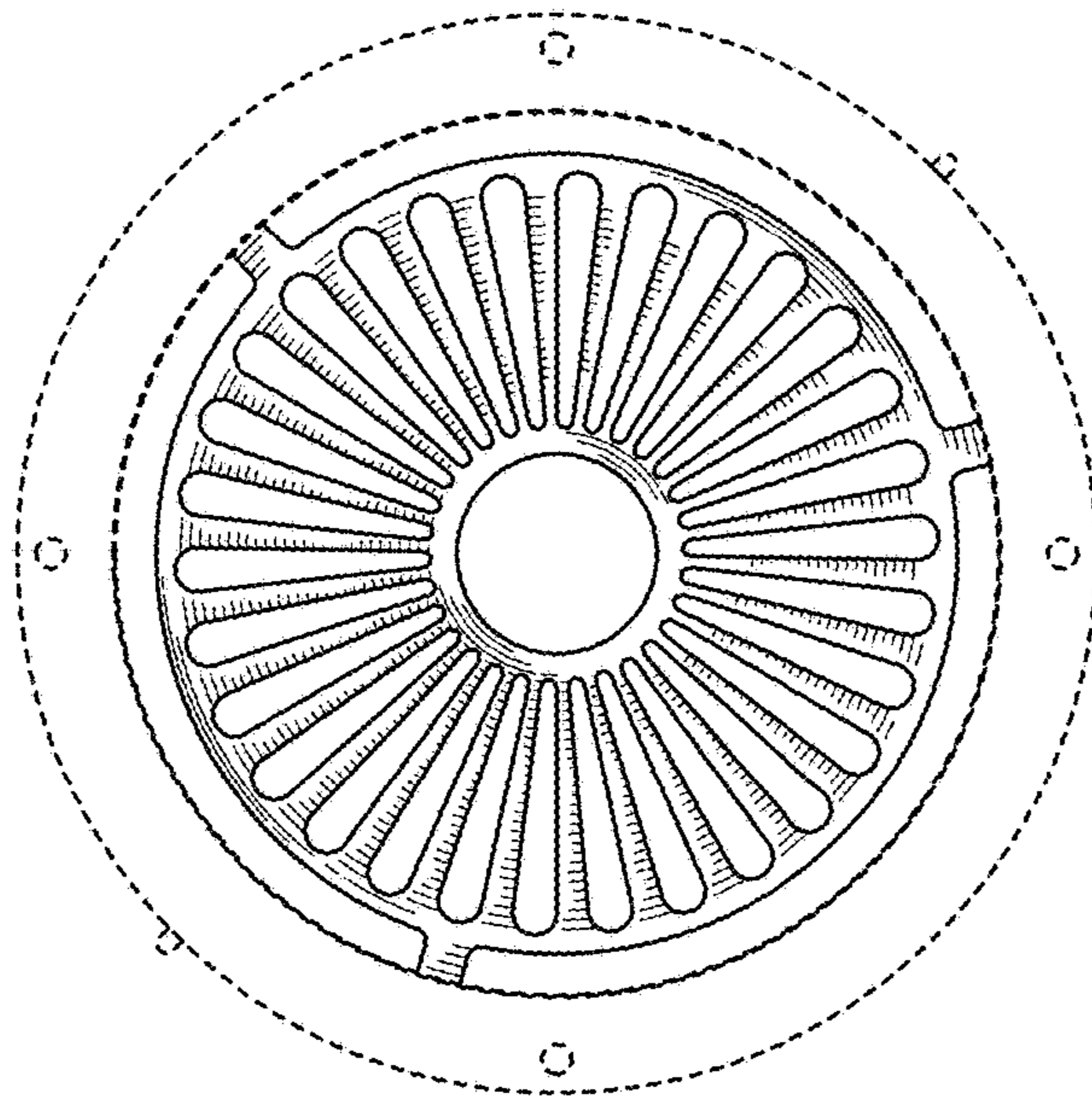


FIG. 3



FIG. 4



FIG. 5

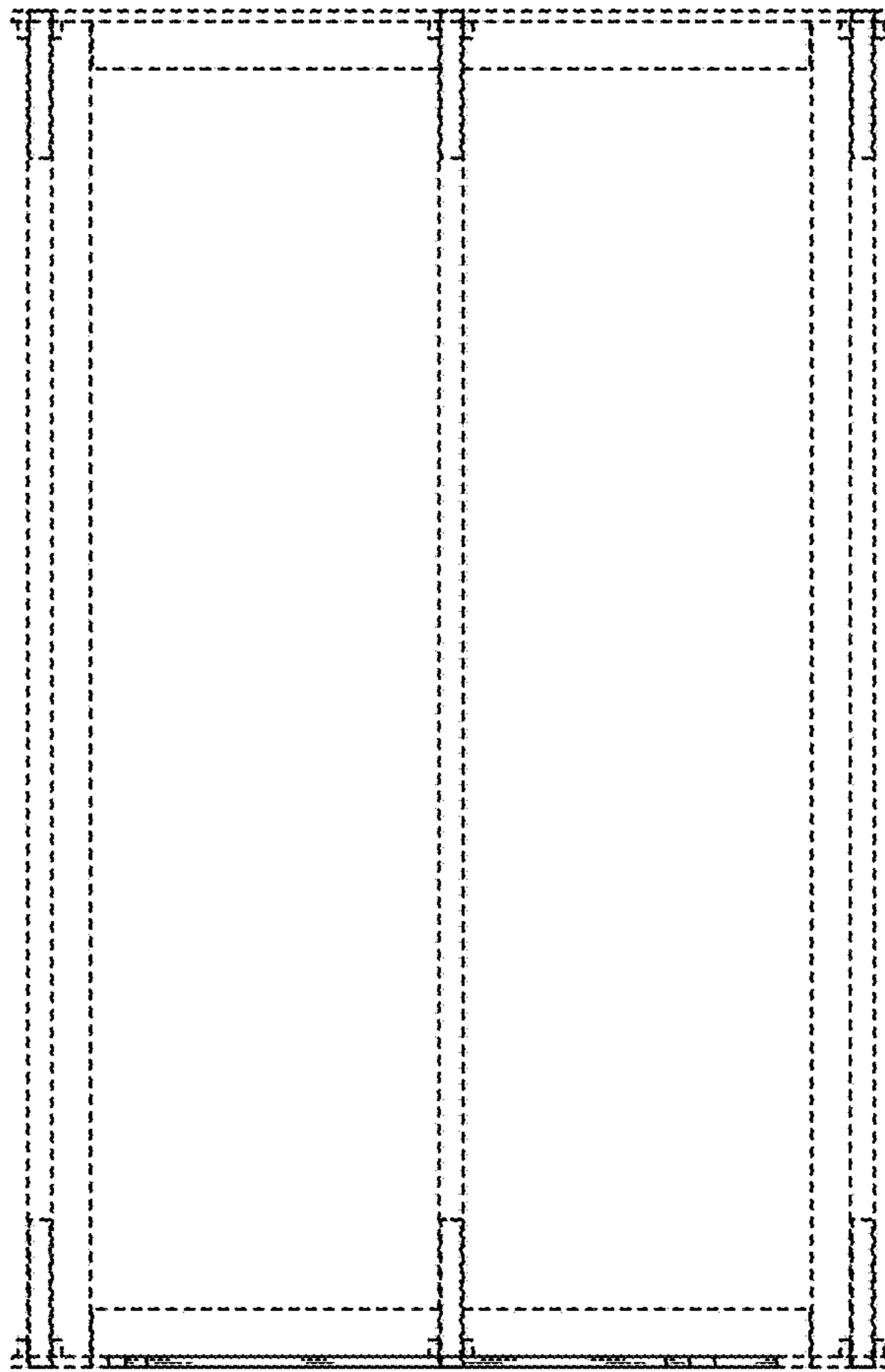


FIG. 6

