



US00D848488S

(12) **United States Design Patent**  
**Cmich**

(10) **Patent No.:** **US D848,488 S**

(45) **Date of Patent:** **\*\* May 14, 2019**

(54) **ROBOTIC MOWER HOUSING**

(71) Applicant: **MTD Products Inc**, Valley City, OH  
(US)

(72) Inventor: **Ryan Cmich**, Sharon Township, OH  
(US)

(73) Assignee: **MTD Products Inc**, Valley City, OH  
(US)

(\*\*) Term: **15 Years**

(21) Appl. No.: **29/575,170**

(22) Filed: **Aug. 23, 2016**

(51) **LOC (11) Cl.** ..... **15-03**

(52) **U.S. Cl.**  
USPC ..... **D15/14; D15/199**

(58) **Field of Classification Search**  
USPC ..... D7/300, 305–311, 397–400; D10/16, 22,  
D10/23, 25, 28; D14/159, 176, 209.1,  
D14/216, 221, 239, 265, 496, 497, 508,  
D14/509, 125; D15/10–13, 22, 122, 199;  
D20/1, 4, 5, 8; D21/578–583, 621–623,  
D21/592, 593; D23/314, 317, 325,  
D23/328–330, 332, 333, 349, 351, 367;  
D32/17, 18, 21, 22, 31–34  
CPC ..... A47L 2201/00; A47L 2201/04; Y01S  
901/01; A01D 34/008; A01D 34/81  
See application file for complete search history.

(56) **References Cited**

**U.S. PATENT DOCUMENTS**

|              |         |               |       |        |
|--------------|---------|---------------|-------|--------|
| D260,264 S * | 8/1981  | Carlsson      | ..... | D15/11 |
| 4,313,297 A  | 2/1982  | Maier         |       |        |
| 5,204,814 A  | 4/1993  | Noonan et al. |       |        |
| D423,155 S * | 4/2000  | Paynter       | ..... | D32/31 |
| D423,354 S * | 4/2000  | Lin           | ..... | D32/31 |
| D430,714 S * | 9/2000  | Song          | ..... | D32/25 |
| 6,321,515 B1 | 11/2001 | Colens        |       |        |
| 6,327,741 B1 | 12/2001 | Reed          |       |        |
| 6,339,735 B1 | 1/2002  | Peless et al. |       |        |

|              |         |                 |       |        |
|--------------|---------|-----------------|-------|--------|
| 6,493,613 B2 | 12/2002 | Peless et al.   |       |        |
| 7,079,923 B2 | 7/2006  | Abramson et al. |       |        |
| D559,867 S * | 1/2008  | Abramson        | ..... | D15/14 |

(Continued)

**FOREIGN PATENT DOCUMENTS**

|    |            |         |
|----|------------|---------|
| EP | 2648307 A1 | 10/2013 |
| EP | 2656718 A1 | 10/2013 |
| EP | 2852029 A1 | 3/2015  |

**OTHER PUBLICATIONS**

Robomow, posted on crainscleveland.com, posted May 22, 2017, no production date given, [online], [site visited Apr. 12, 2018], available from internet, URL: <http://www.crainscleveland.com/article/20170522/news/170529959/mtd-products-pursues-deal-make-it-cut-above-robotic-mower-business> (Year: 2015).\*

*Primary Examiner* — Garth Rademaker  
*Assistant Examiner* — Fritzgerald L Butac  
(74) *Attorney, Agent, or Firm* — Wegman, Hessler & Vanderburg; Julie D. Hawk

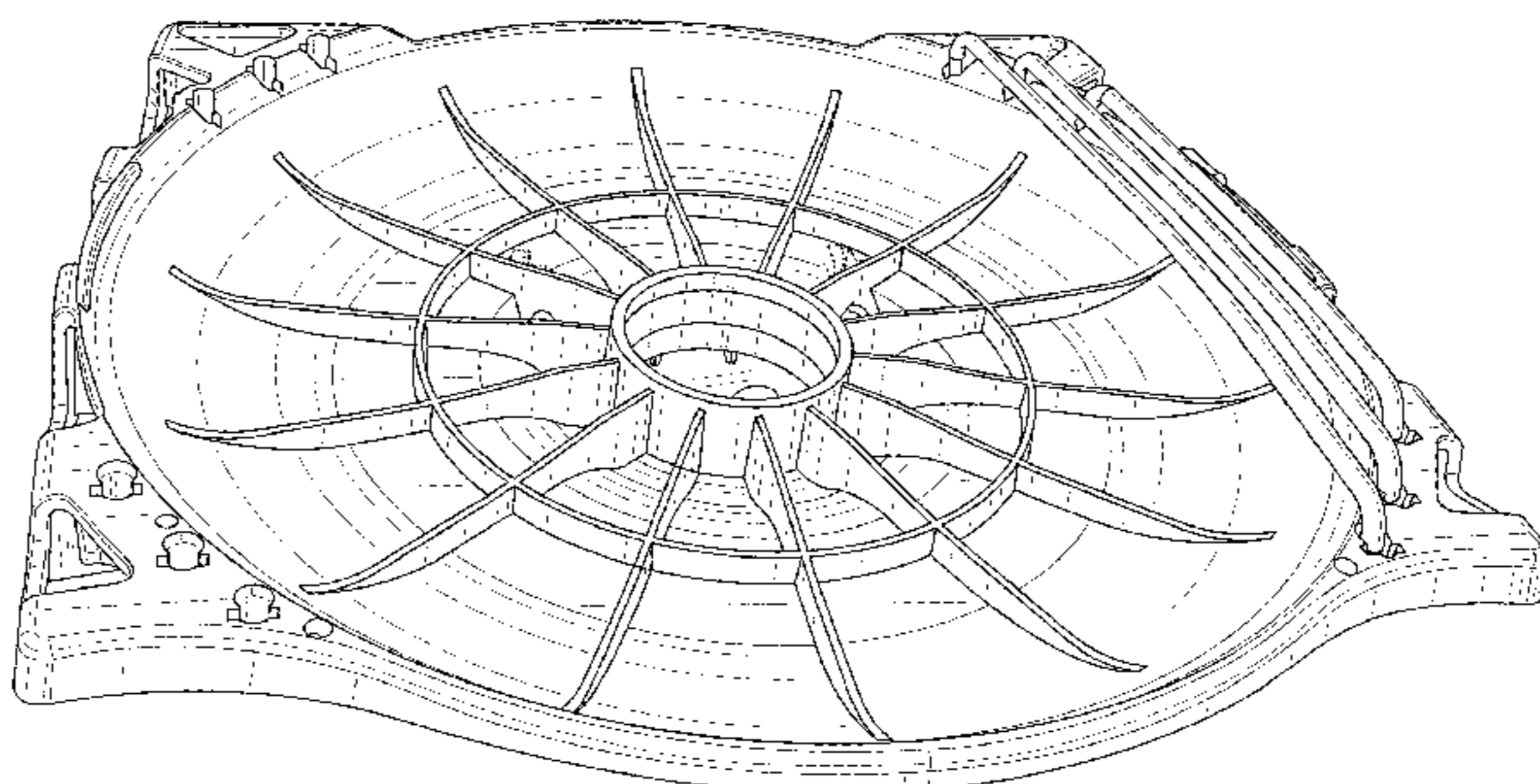
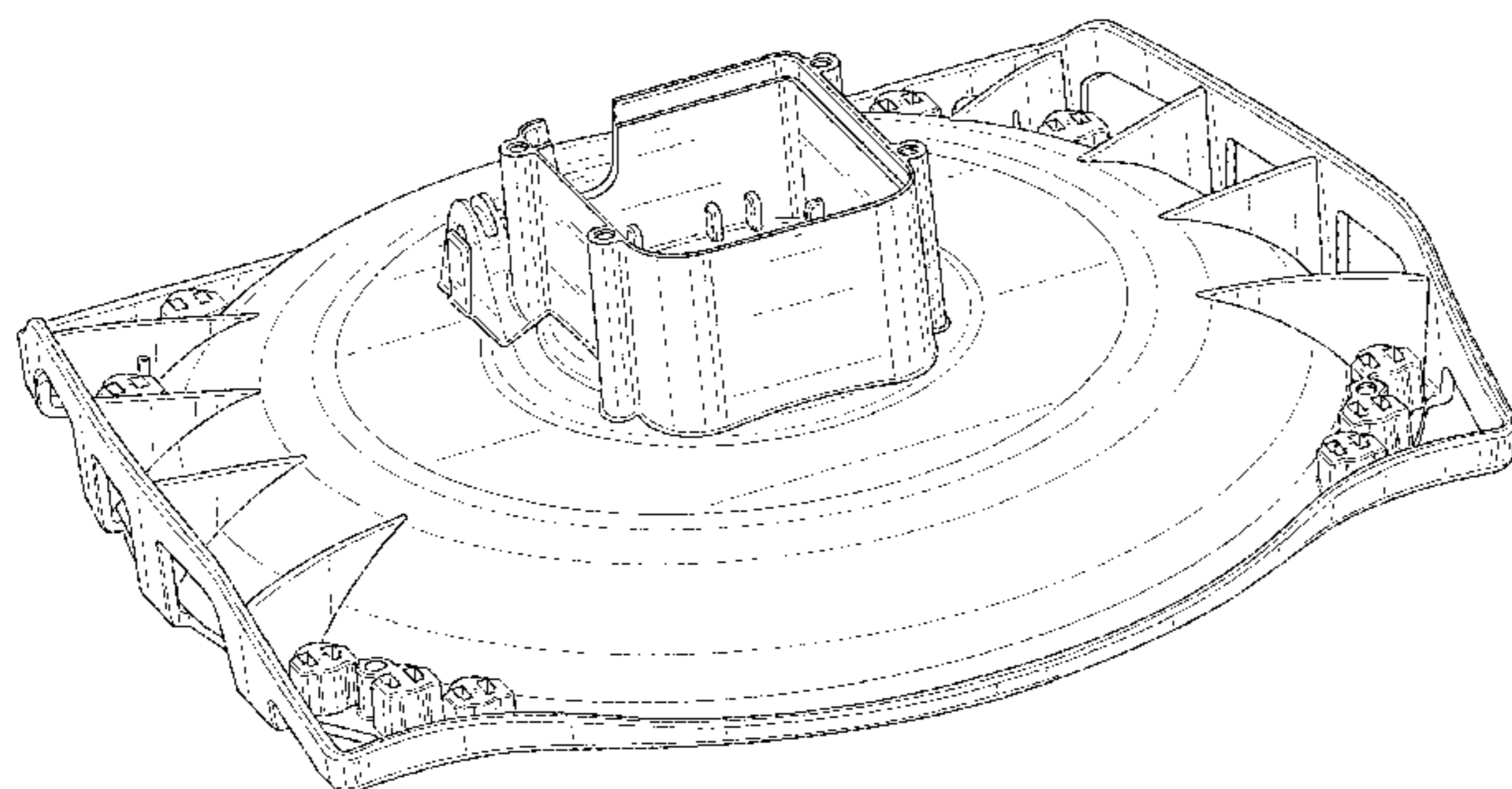
(57) **CLAIM**

I claim the ornamental design for a robotic mower housing, as shown and described.

**DESCRIPTION**

FIG. 1 is a top perspective view of a robotic mower housing showing my new design;  
FIG. 2 is a bottom perspective view thereof;  
FIG. 3 is a rear view thereof thereof;  
FIG. 4 is a front view thereof;  
FIG. 5 is a right side view;  
FIG. 6 is a left side view thereof;  
FIG. 7 is a top view; and,  
FIG. 8 is a bottom view.  
The broken lines in the drawings illustrate portions of the robotic mower housing and form no part of the claimed design.

**1 Claim, 8 Drawing Sheets**



(56)

References Cited

U.S. PATENT DOCUMENTS

7,444,206 B2 10/2008 Abramson et al.  
 7,613,543 B2 11/2009 Petersson et al.  
 7,668,631 B2 2/2010 Bernini  
 7,703,268 B2 4/2010 Yanke  
 7,729,801 B2 6/2010 Abramson  
 7,769,490 B2 8/2010 Abramson et al.  
 8,046,103 B2 10/2011 Abramson et al.  
 8,136,333 B1 3/2012 Levin et al.  
 8,239,992 B2 8/2012 Schnittman et al.  
 D667,185 S \* 9/2012 Benacquisto ..... D32/33  
 D678,352 S \* 3/2013 Maeda ..... D15/14  
 D679,294 S \* 4/2013 Tajik ..... D15/14  
 D679,295 S \* 4/2013 Tajik ..... D15/14  
 8,428,776 B2 4/2013 Letsky  
 8,452,450 B2 5/2013 Dooley et al.  
 D688,276 S \* 8/2013 Naslund ..... D15/14  
 8,532,822 B2 9/2013 Abramson et al.  
 8,600,582 B2 12/2013 Bernini  
 D699,835 S \* 2/2014 Kenyon ..... D23/413  
 8,676,378 B2 3/2014 Tian et al.  
 8,818,602 B2 8/2014 Yamamura et al.  
 8,868,237 B2 10/2014 Sandin et al.

8,983,693 B2 3/2015 Yamamura et al.  
 D733,203 S \* 6/2015 Menor ..... D12/107  
 D741,338 S \* 10/2015 Hoshikugi ..... D14/483  
 D758,572 S \* 6/2016 Rodewald ..... D24/121  
 D760,022 S \* 6/2016 Garvey ..... D7/367  
 D761,412 S \* 7/2016 Strehle ..... D23/412  
 D767,815 S \* 9/2016 Lee ..... D26/113  
 D775,721 S \* 1/2017 Muller ..... D23/390  
 D776,250 S \* 1/2017 Muller ..... D23/390  
 D782,645 S \* 3/2017 Haag ..... D23/412  
 D785,677 S \* 5/2017 Rummel ..... D15/5  
 D802,807 S \* 11/2017 Walker ..... D26/26  
 D806,138 S \* 12/2017 Shi ..... D15/28  
 2006/0150361 A1 7/2006 Aldred et al.  
 2011/0234153 A1 9/2011 Abramson  
 2013/0211646 A1 8/2013 Yamamura et al.  
 2013/0211647 A1 8/2013 Yamamura et al.  
 2013/0317680 A1 11/2013 Yamamura et al.  
 2014/0031979 A1 1/2014 Borinato et al.  
 2014/0058611 A1 2/2014 Borinato  
 2014/0324269 A1 10/2014 Abramson et al.  
 2016/0081269 A1 3/2016 Gottinger et al.  
 2017/0367257 A1 \* 12/2017 Cmich ..... A01D 34/008  
 2018/0064028 A1 \* 3/2018 Cmich ..... A01D 34/73

\* cited by examiner

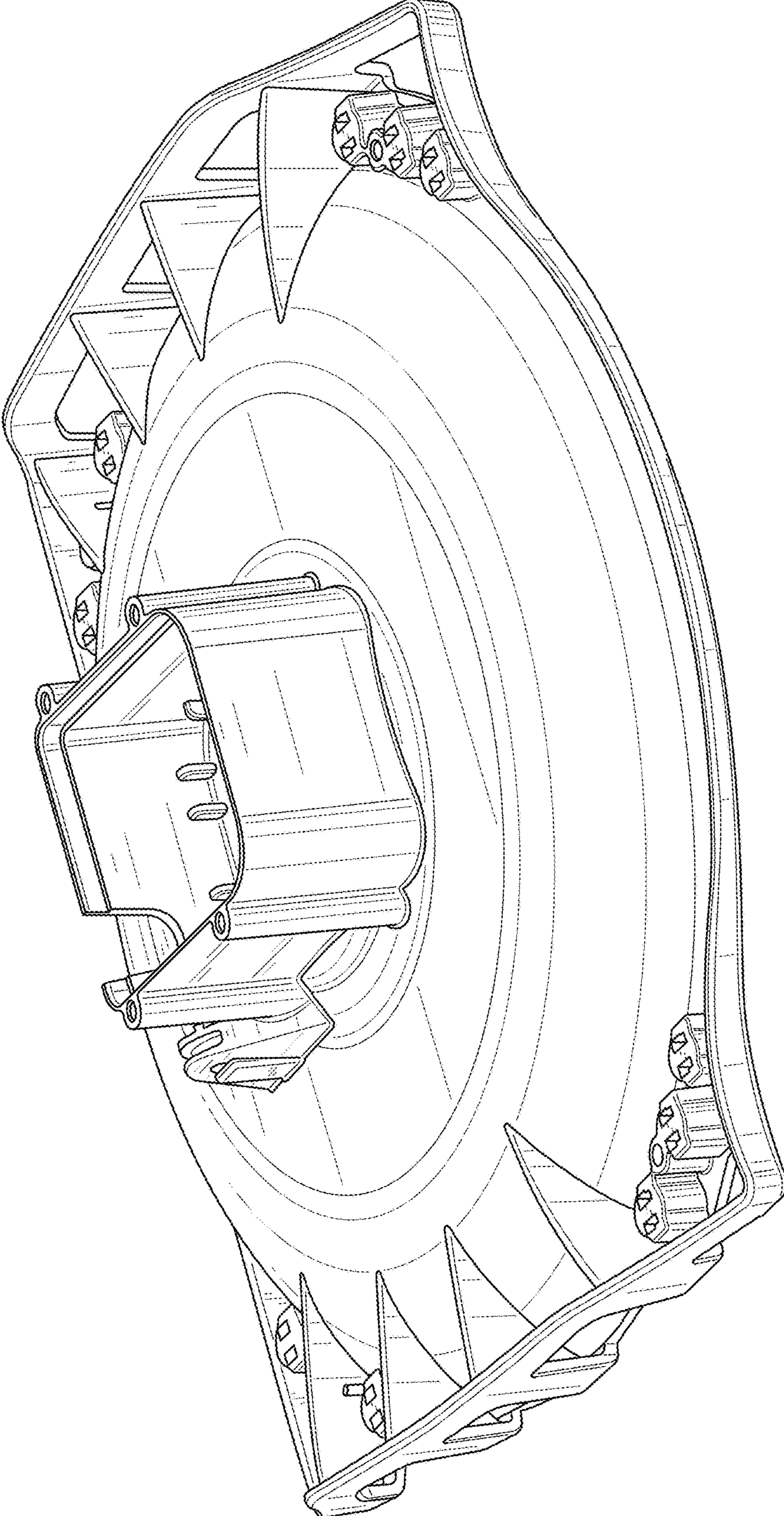


FIG. 1

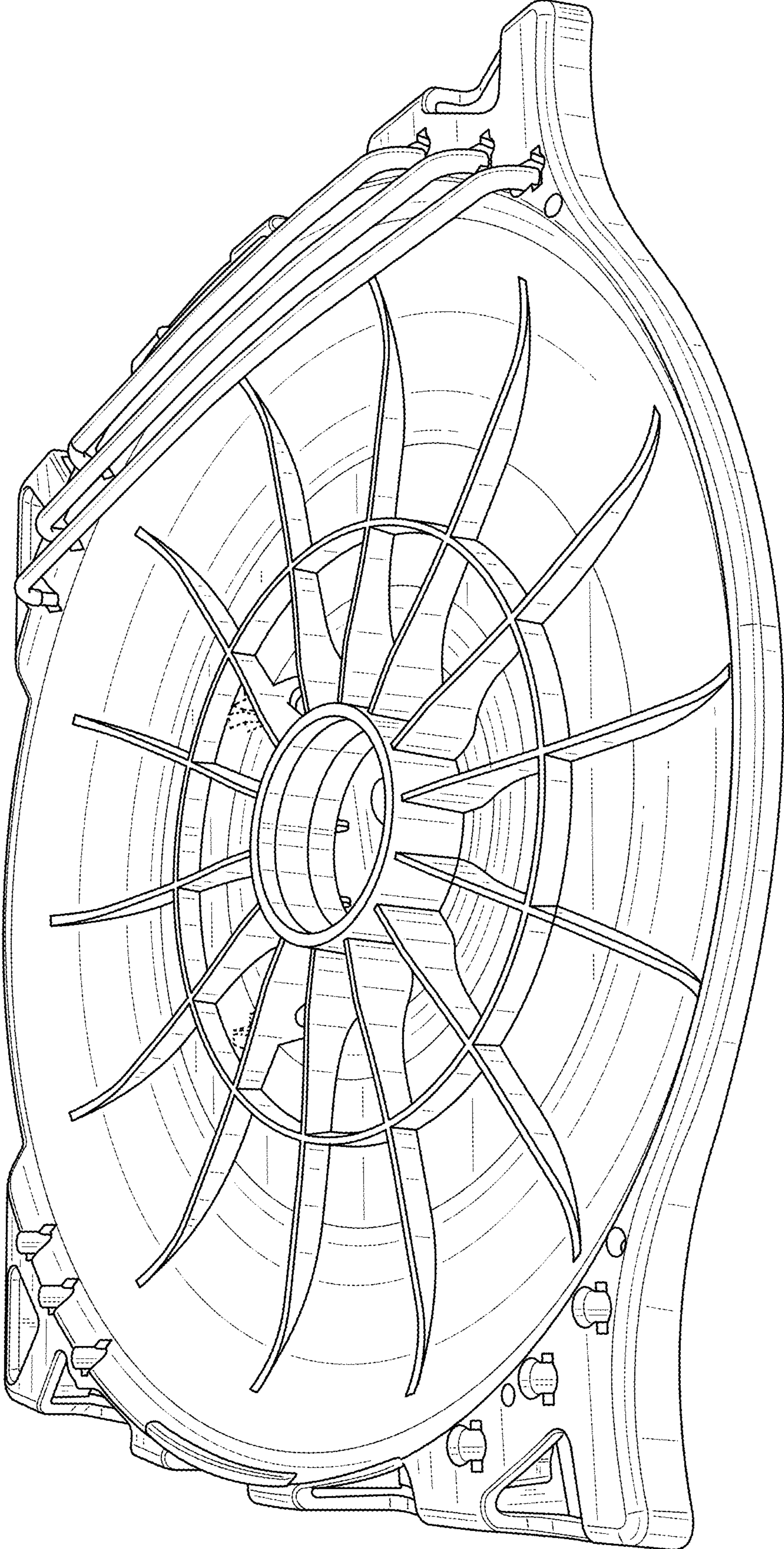


FIG. 2

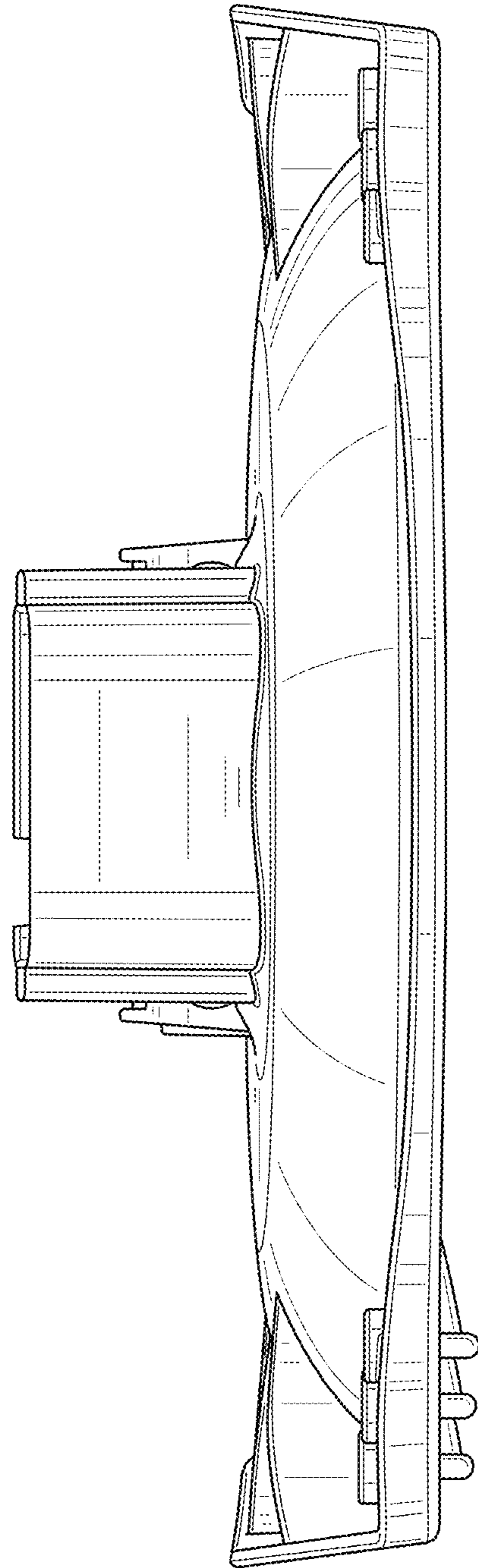


FIG. 3

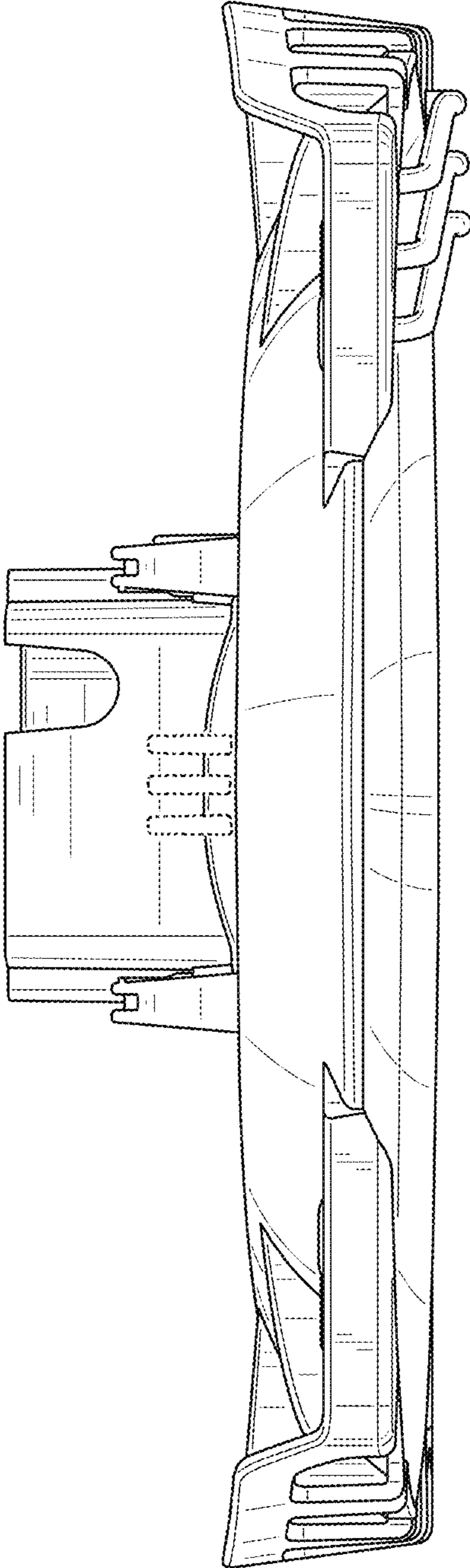


FIG. 4

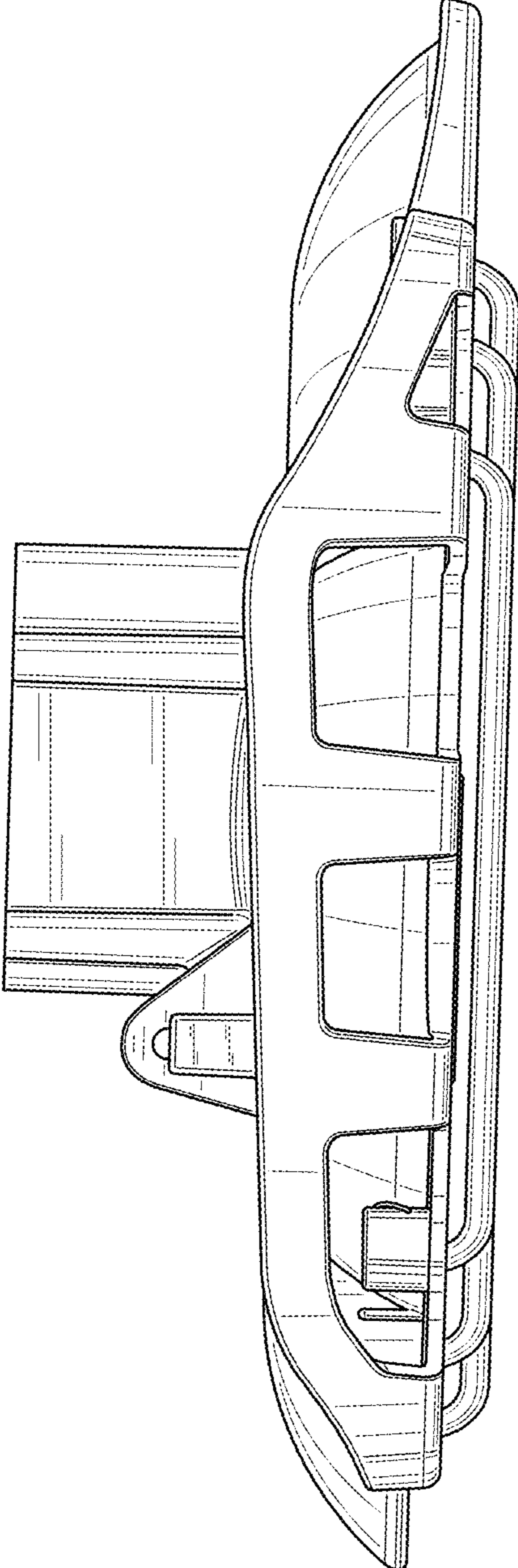


FIG. 5

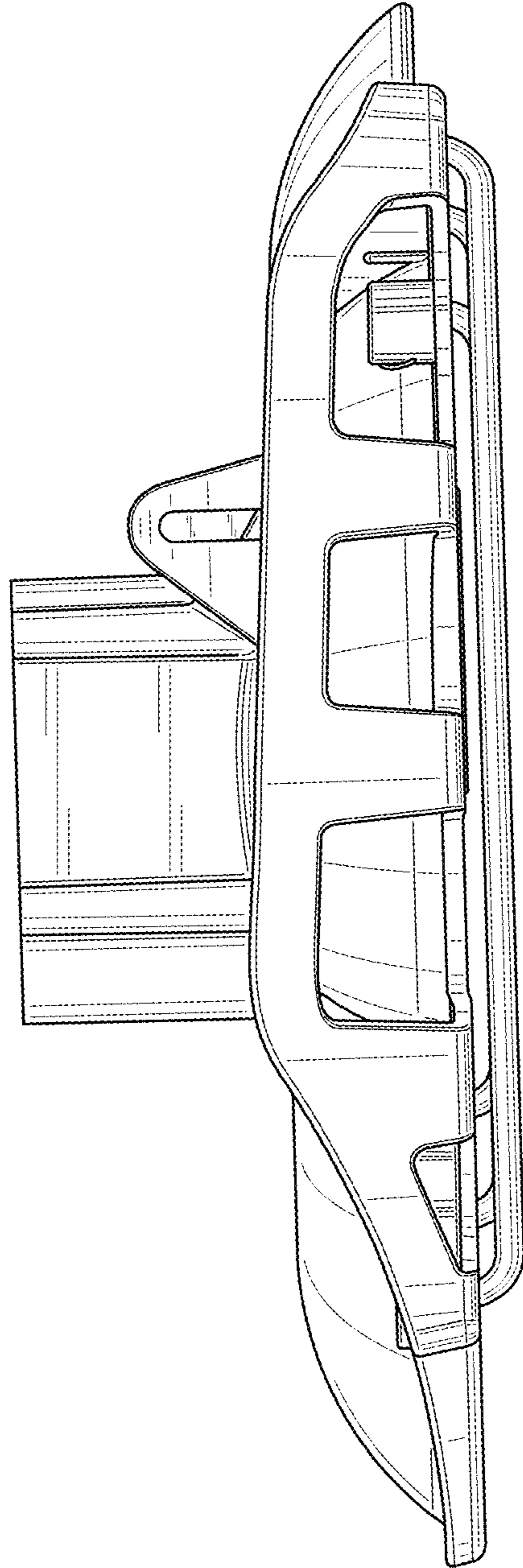


FIG. 6



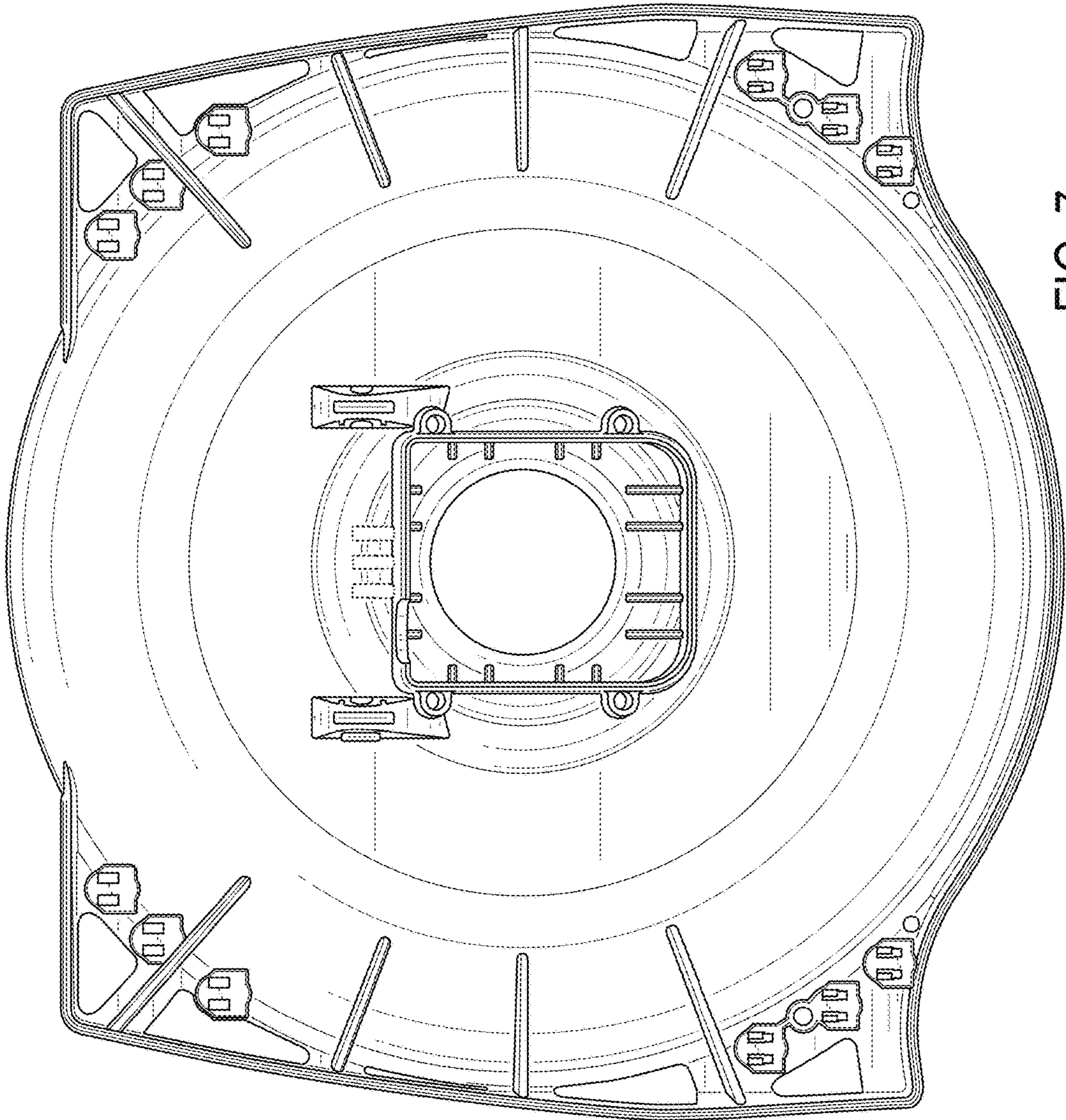


FIG. 7

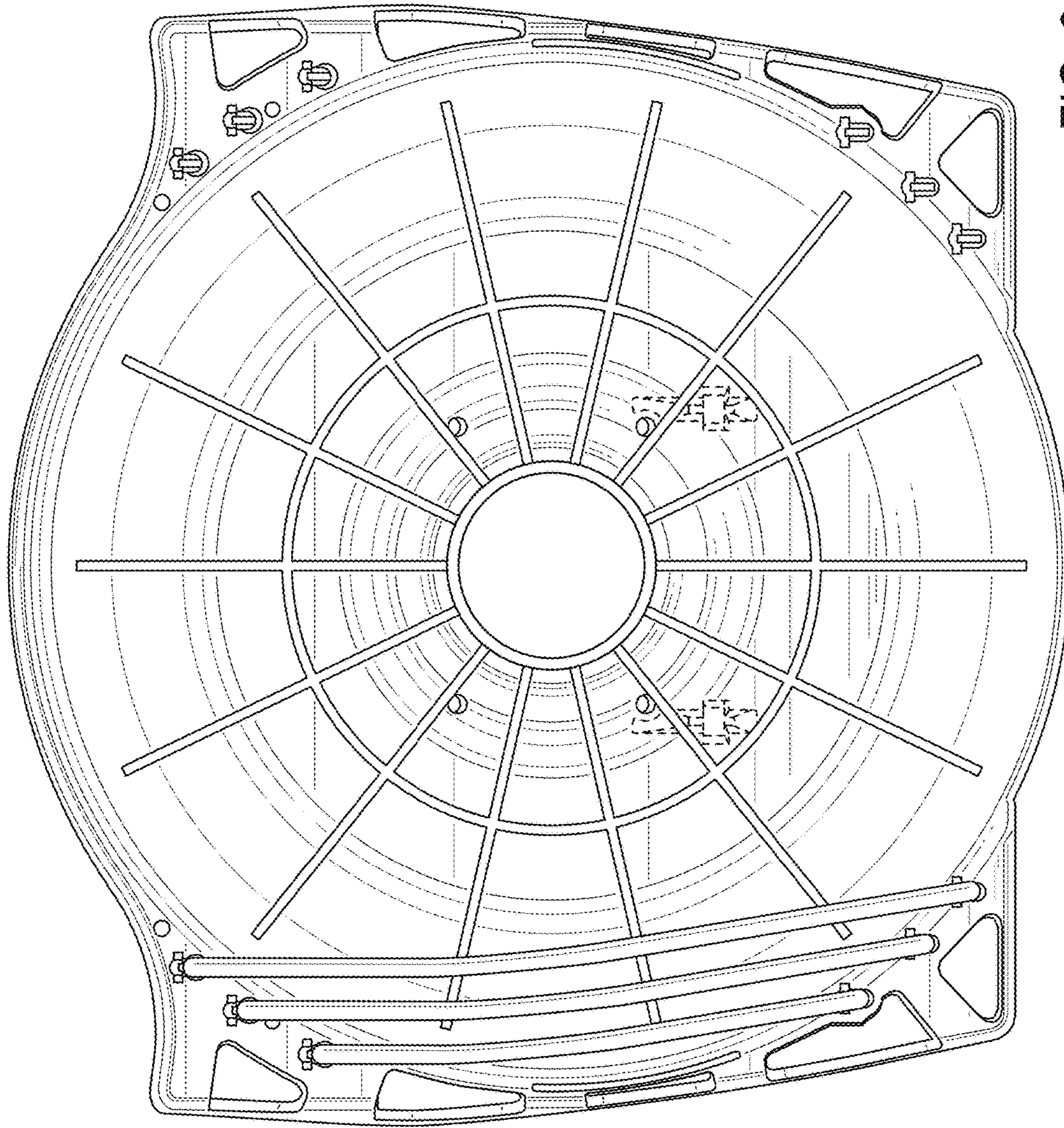


FIG. 8