



US00D848485S

(12) **United States Design Patent** (10) **Patent No.:** **US D848,485 S**
Kurokawa et al. (45) **Date of Patent:** **** May 14, 2019**

(54) **COOLING FAN FOR WORKING VEHICLE**

(71) Applicant: **YANMAR CO., LTD.**, Osaka (JP)

(72) Inventors: **Yoshiaki Kurokawa**, Osaka (JP);
Ryota Ogino, Osaka (JP)

(73) Assignee: **YANMAR CO., LTD.**, Osaka (JP)

(**) Term: **15 Years**

(21) Appl. No.: **29/576,281**

(22) Filed: **Sep. 1, 2016**

(30) **Foreign Application Priority Data**

Mar. 1, 2016 (JP) D2016-004570

(51) **LOC (11) Cl.** **15-01**

(52) **U.S. Cl.**
USPC **D15/5**

(58) **Field of Classification Search**
USPC D15/5, 7, 10, 28; D23/370, 377, 379,
D23/381, 382, 385, 411, 413, 414, 332,
D23/328; D26/59; D13/179
CPC F04D 25/08; F04D 29/388; F04D 29/34;
F04D 25/088; F04D 29/282; F04D
25/0613; F04D 29/30; F04D 29/386;
F04D 29/281; F04D 19/00; F04D 19/022;
F04D 19/002; H02K 1/187
See application file for complete search history.

(56) **References Cited**

U.S. PATENT DOCUMENTS

4,569,632 A * 2/1986 Gray F04D 29/386
416/189
4,971,520 A * 11/1990 Van Houten F04D 29/386
416/169 A
5,577,888 A * 11/1996 Capdevila F04D 19/002
165/122

5,582,507 A * 12/1996 Alizadeh F04D 19/002
248/604
D446,295 S * 8/2001 Williams D23/370
D513,530 S * 1/2006 Chen D23/379
D726,300 S * 4/2015 DeFilippis D23/414
D736,368 S * 8/2015 Xu D23/370
D787,035 S * 5/2017 Hamada D23/354
D809,121 S * 1/2018 Richardson D23/379
D813,369 S * 3/2018 Chiu D23/370
2009/0155081 A1 * 6/2009 Yu F04D 29/329
416/219 R
2010/0054968 A1 * 3/2010 Fleischmann F04D 25/082
417/366
2011/0135494 A1 * 6/2011 Nicgorski F04D 29/329
416/93 R

(Continued)

Primary Examiner — T Chase Nelson

Assistant Examiner — Ania Aman

(74) *Attorney, Agent, or Firm* — Norton Rose Fulbright
US LLP

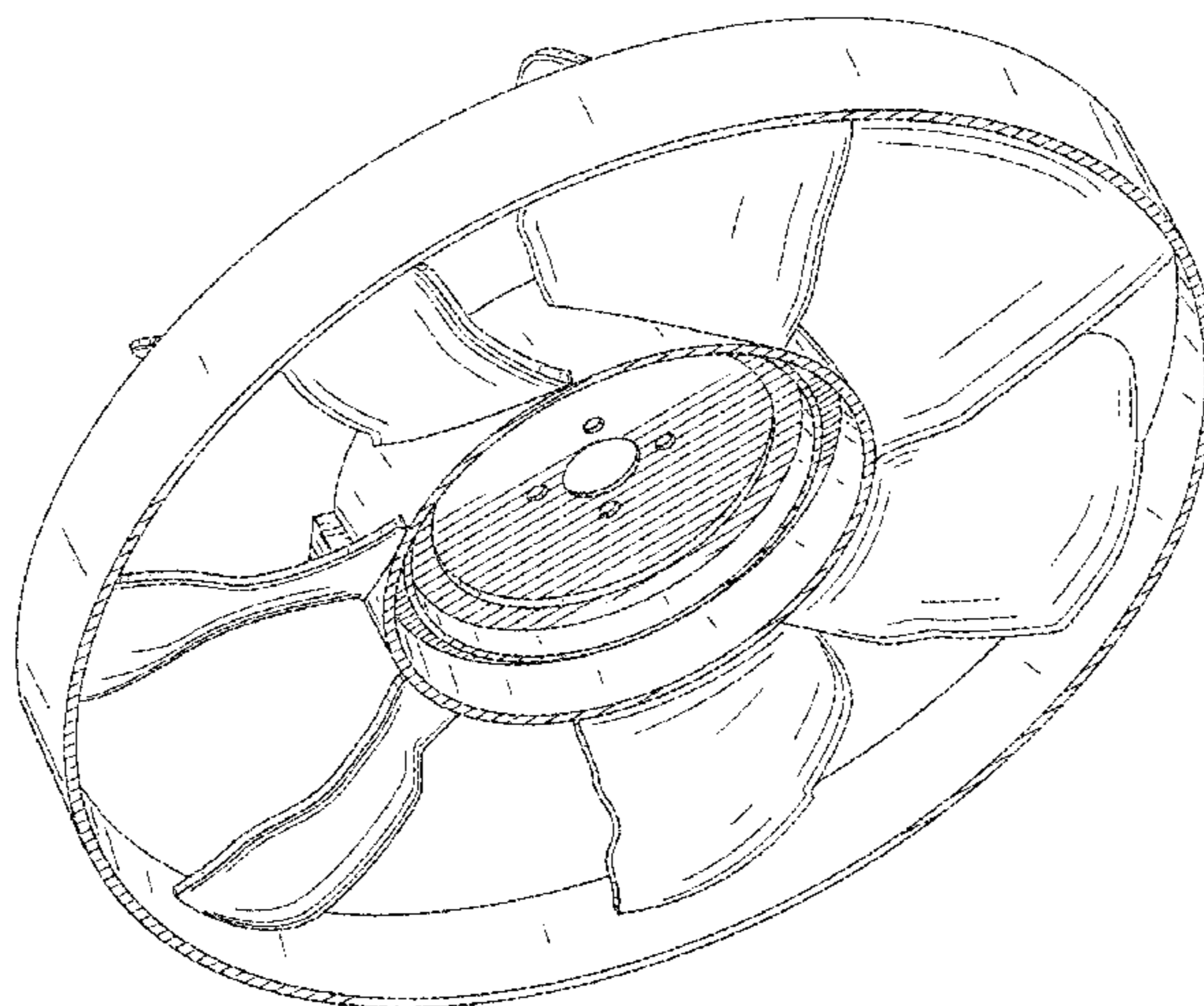
(57) **CLAIM**

The ornamental design for a cooling fan for working vehicle,
as shown and described.

DESCRIPTION

FIG. 1 is a front perspective view of the present invention.
FIG. 2 is rear perspective view thereof.
FIG. 3 is a front plan view thereof.
FIG. 4 is a rear plan view thereof.
FIG. 5 is a right side elevation view thereof.
FIG. 6 is a left side elevation view thereof.
FIG. 7 is a top plan view thereof.
FIG. 8 is a bottom plan view thereof.
FIG. 9 is a sectional view in IX-IX of FIG. 3 thereof.
FIG. 10 is a sectional view in X-X of FIG. 3 view thereof;
and,
FIG. 11 is a sectional view in XI-XI of FIG. 3.
In the drawings, the surface is lined for contour only. No
claim made to portions not shown in the drawings.

1 Claim, 7 Drawing Sheets



(56)

References Cited

U.S. PATENT DOCUMENTS

2012/0003097 A1* 1/2012 Cho F04D 29/328
416/189
2012/0224988 A1* 9/2012 Maier F04D 25/08
417/423.1
2013/0028747 A1* 1/2013 Henner F04D 29/384
416/242
2013/0209242 A1* 8/2013 Ota F04D 29/164
415/185
2013/0323062 A1* 12/2013 Henner F04D 29/384
416/195
2014/0056710 A1* 2/2014 Henner F04D 29/384
416/189
2014/0064973 A1* 3/2014 Ren F04D 19/002
416/204 R
2014/0334952 A1* 11/2014 Ziegler F04D 25/0606
417/423.1
2015/0003007 A1* 1/2015 MacDonald F04D 29/281
361/679.46
2015/0064011 A1* 3/2015 Xu F04D 19/002
416/189
2015/0125307 A1* 5/2015 Kumon F04D 29/384
416/223 R
2018/0202452 A1* 7/2018 Springer F01P 5/06
2018/0258831 A1* 9/2018 Seto B60K 11/04

* cited by examiner

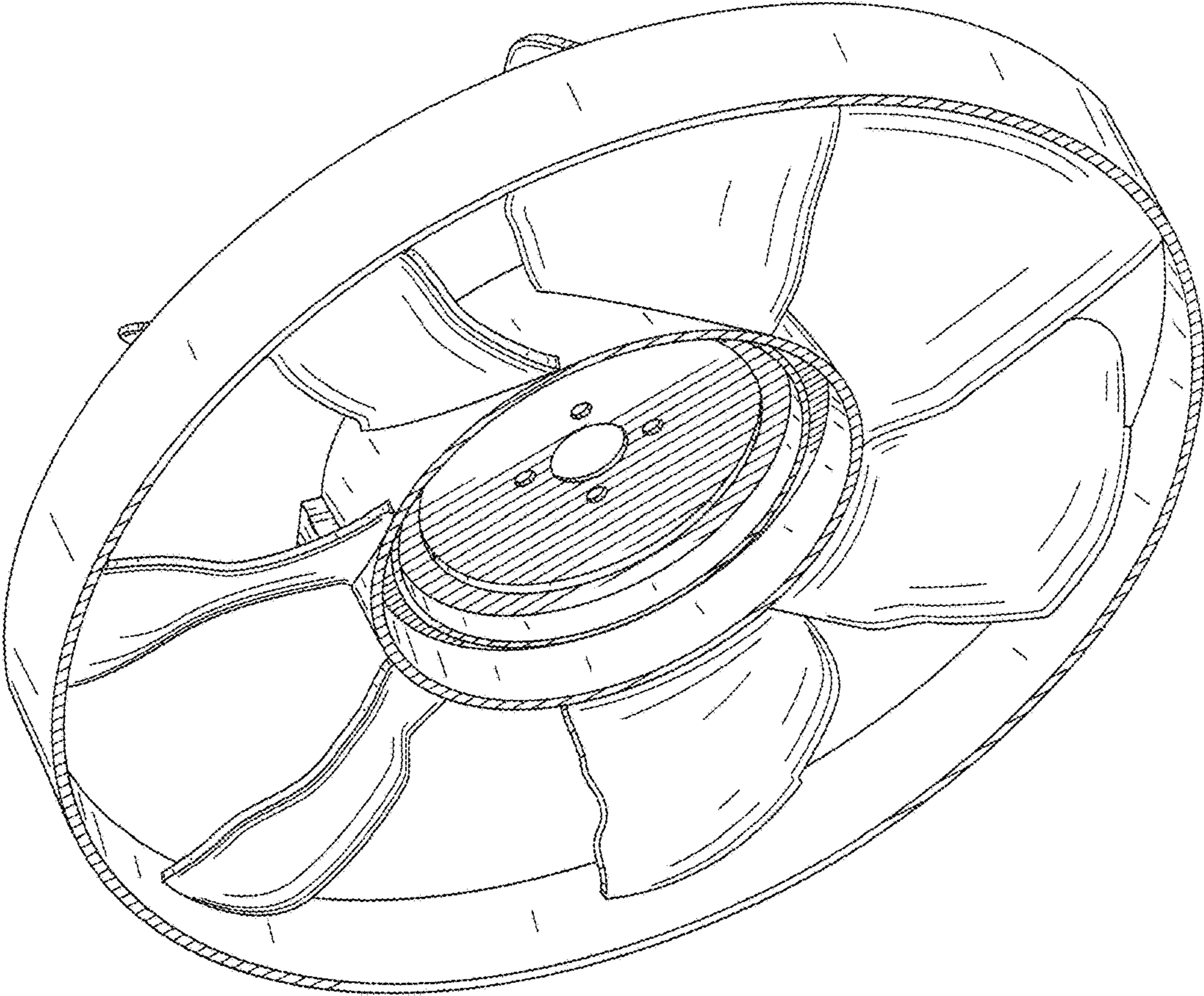


FIG. 1

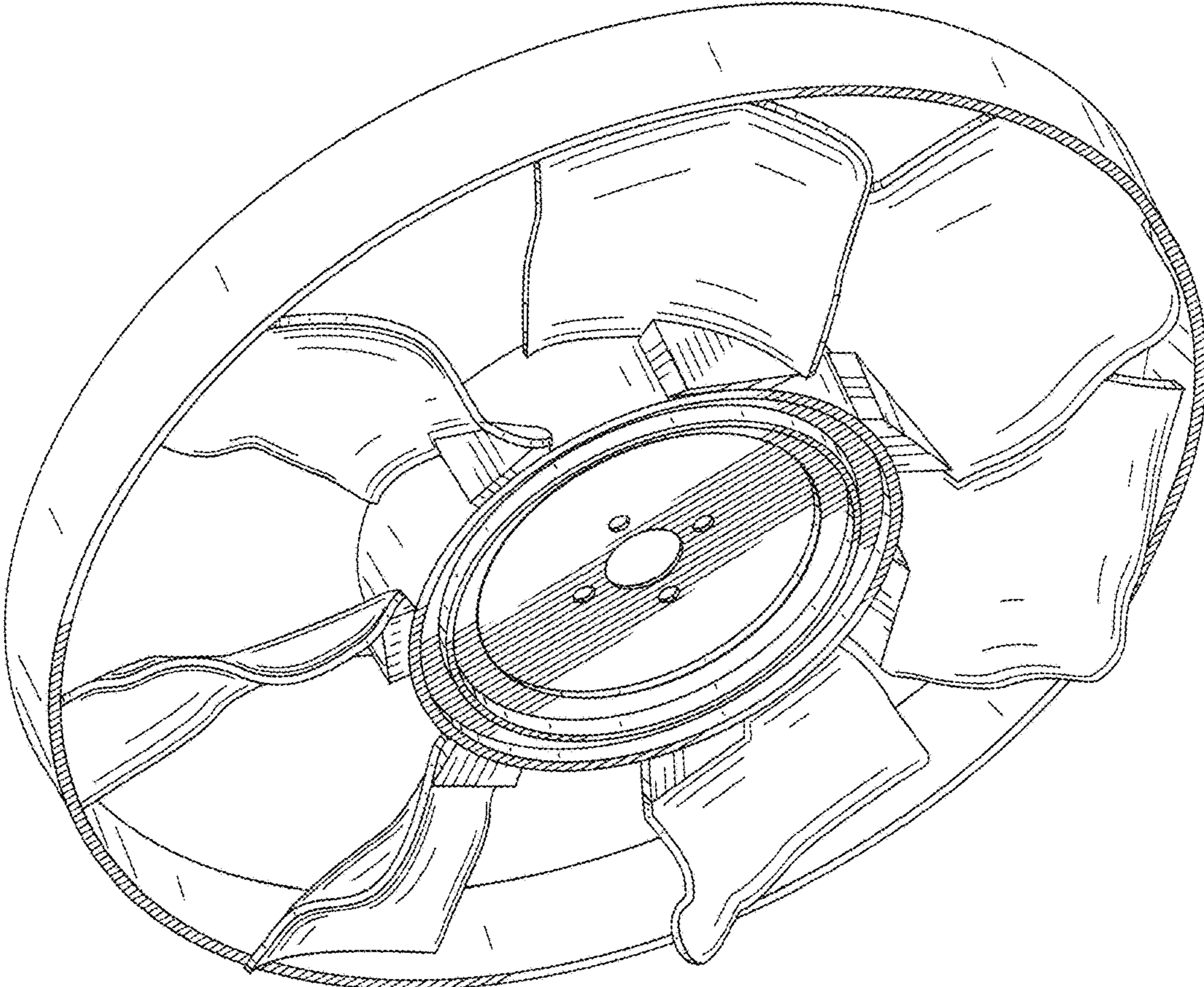


FIG. 2

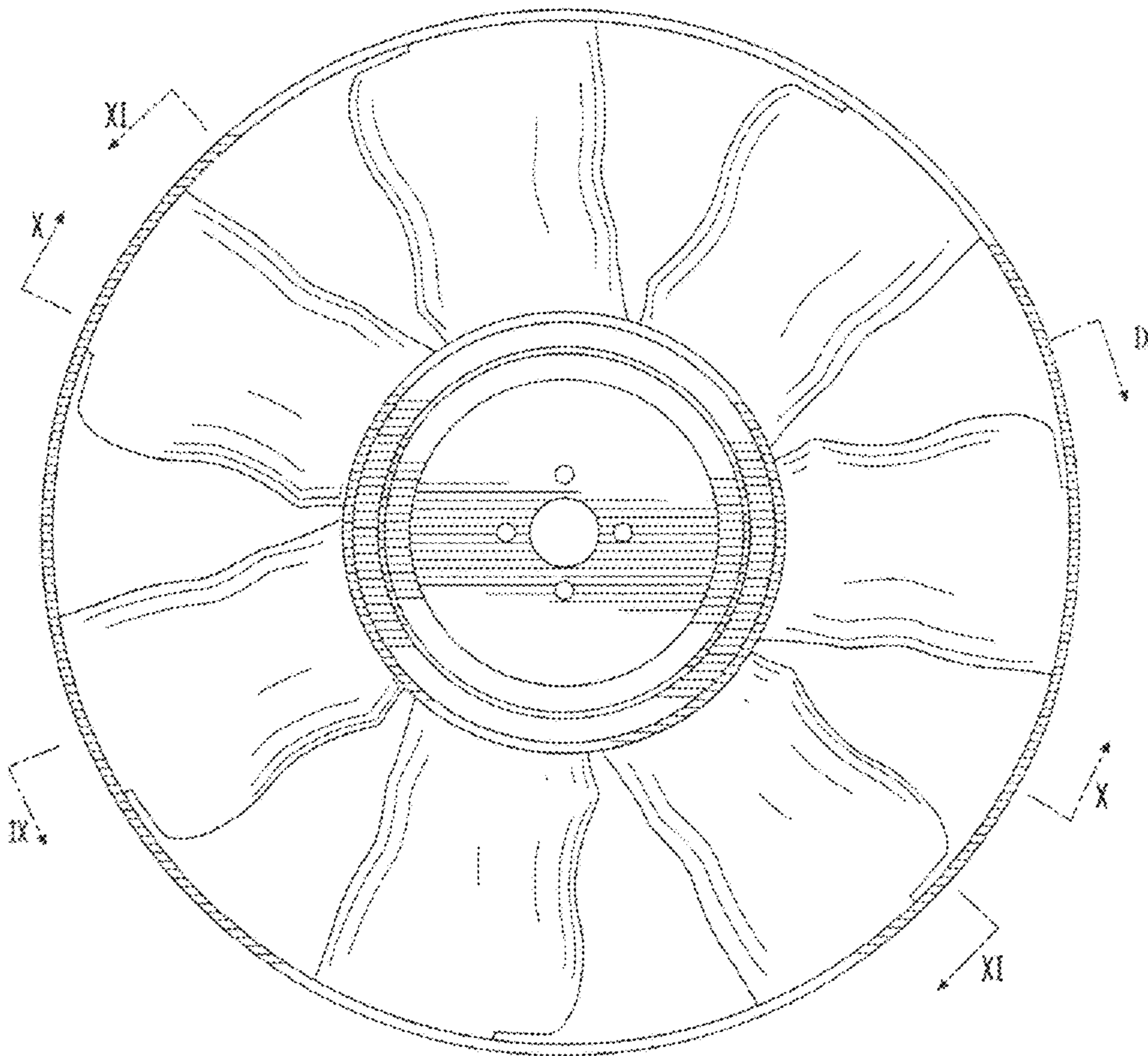


FIG. 3

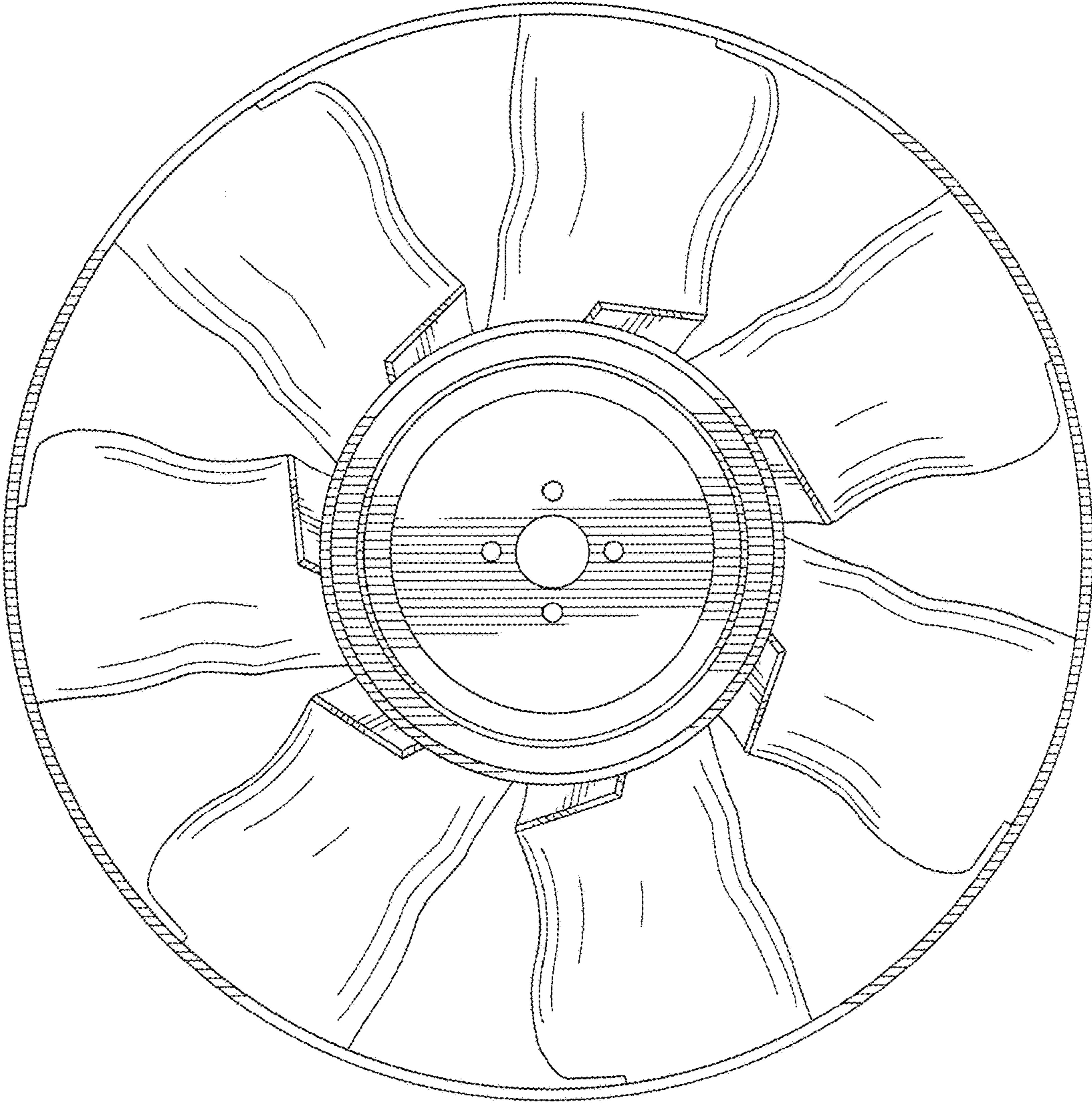


FIG. 4

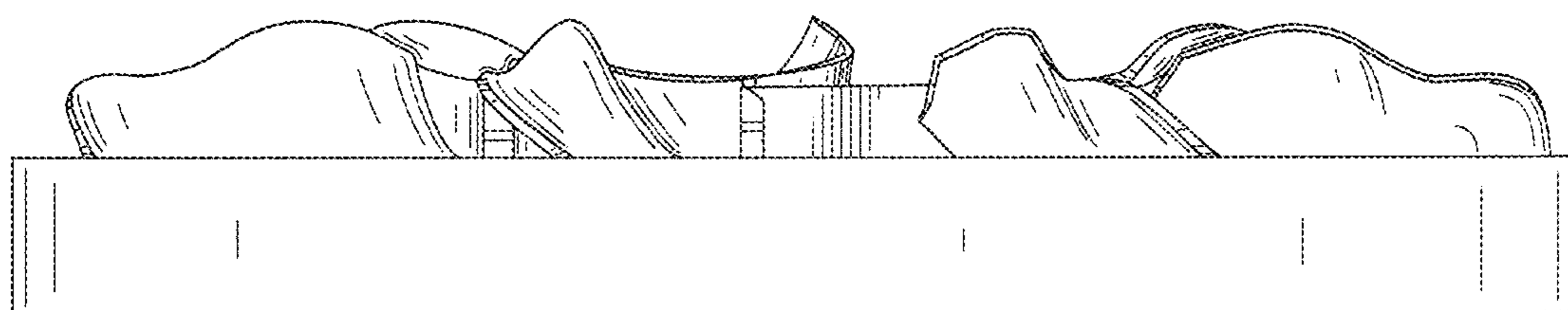


FIG. 5

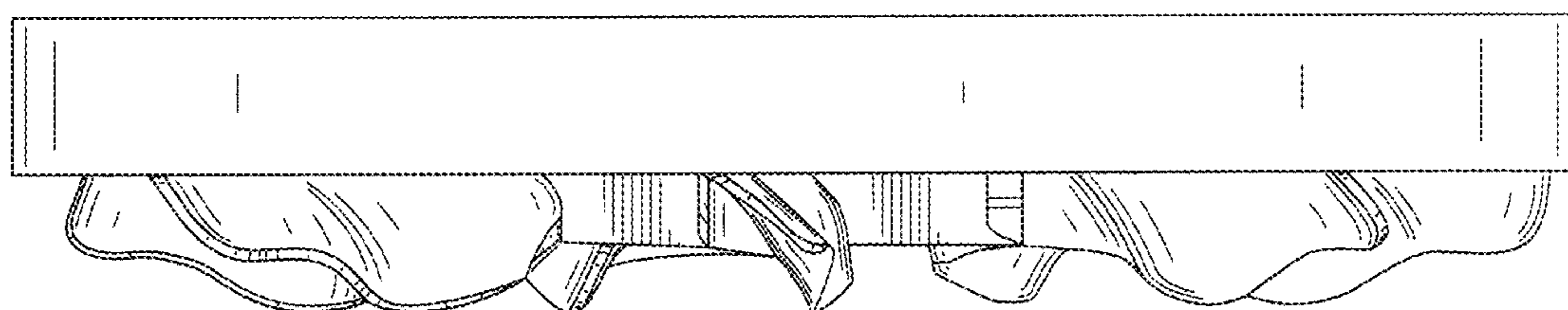


FIG. 6

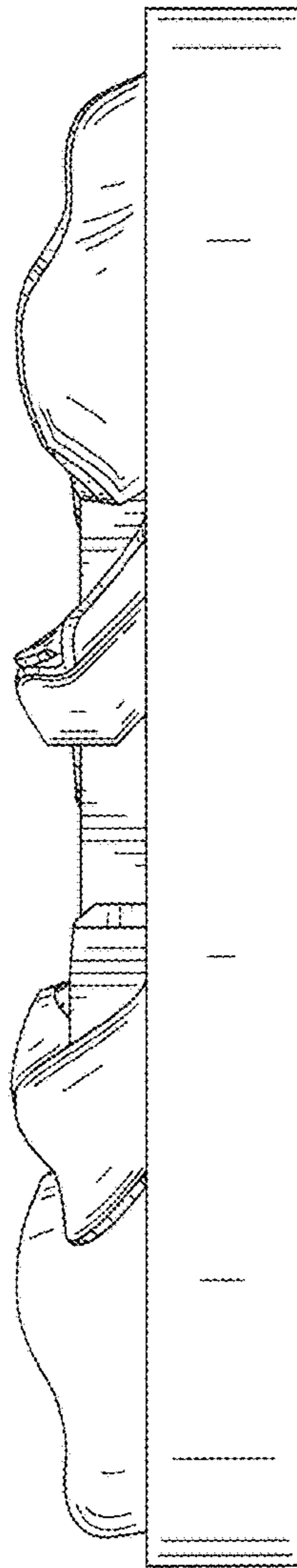


FIG. 7

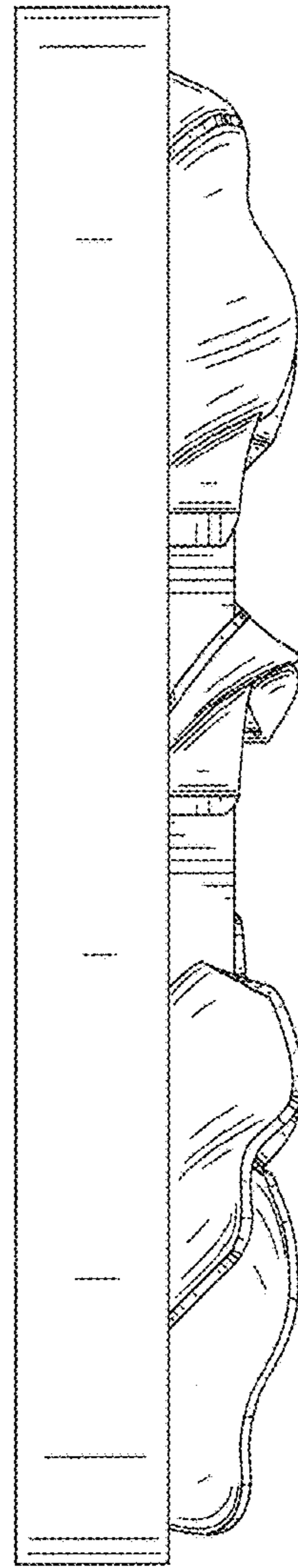


FIG. 8

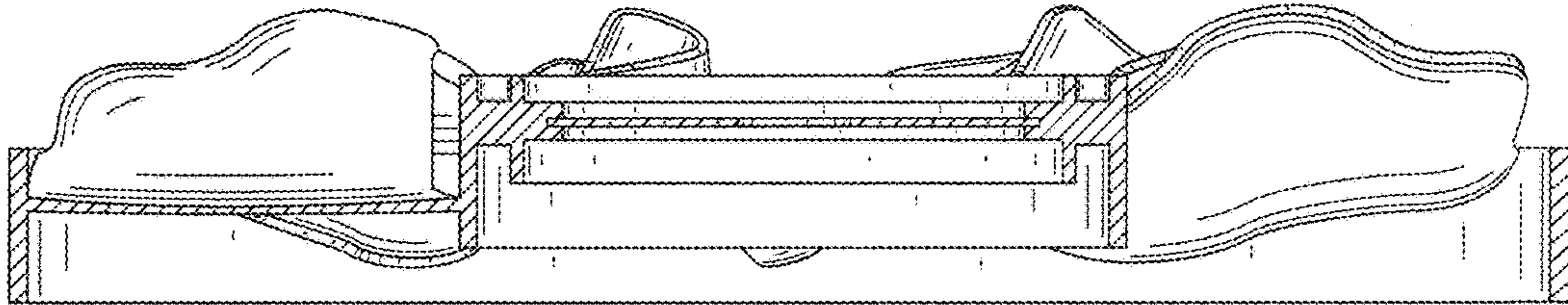


FIG. 9

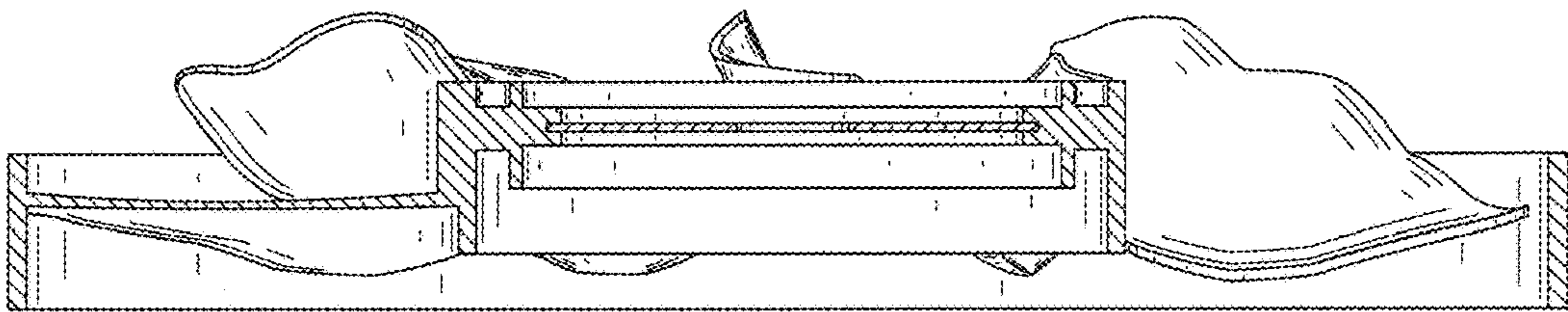


FIG. 10

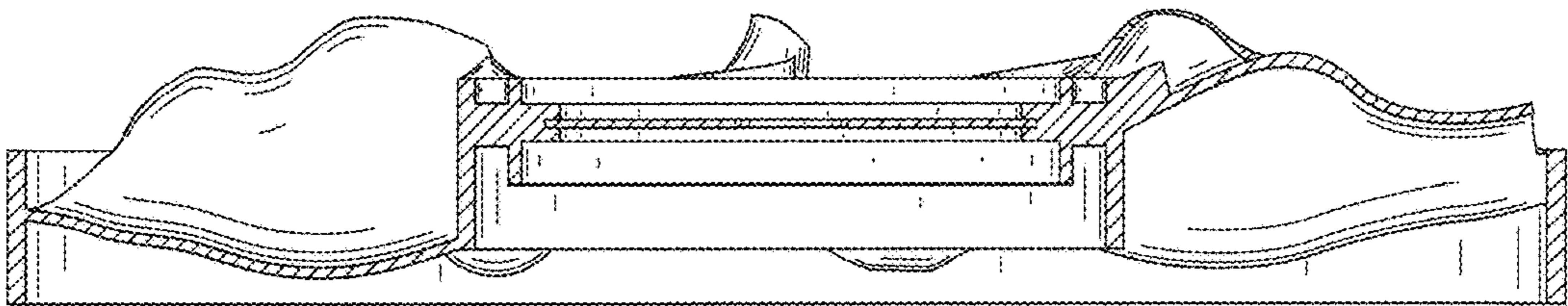


FIG. 11