

US00D848455S

(12) **United States Design Patent**
Robert et al.

(10) **Patent No.:** **US D848,455 S**

(45) **Date of Patent:** **** May 14, 2019**

(54) **DISPLAY SCREEN OR PORTION THEREOF WITH AN ANIMATED GRAPHICAL USER INTERFACE**

(71) Applicant: **Huawei Technologies Co., Ltd.**,
Shenzhen (CN)

(72) Inventors: **David Robert**, Shenzhen (CN);
William Pitzer, Shenzhen (CN); **Maya Pitzer**,
Shenzhen (CN); **Victor Maurits Van Den Bergh**,
Shenzhen (CN); **Timothy Davison**, Shenzhen (CN)

(73) Assignee: **HUAWEI TECHNOLOGIES CO., LTD.**,
Shenzhen (CN)

(**) Term: **15 Years**

(21) Appl. No.: **29/634,291**

(22) Filed: **Jan. 19, 2018**

(51) **LOC (11) Cl.** **14-04**

(52) **U.S. Cl.**
USPC **D14/485**

(58) **Field of Classification Search**
USPC D14/485–488, 489–495
CPC G06T 13/80; G06T 15/02; H04L 12/2631;
H04L 43/045; H04L 41/22; G01C 21/36
See application file for complete search history.

(56) **References Cited**

U.S. PATENT DOCUMENTS

D533,871 S *	12/2006	Stabb	D14/485
D550,233 S *	9/2007	Vigesaa	H04N 5/44513
				D14/487
D669,497 S *	10/2012	Lee	D14/489
8,676,431 B1 *	3/2014	Marlet	B60T 7/22
				701/28
D706,290 S *	6/2014	Hartley	D14/489
D722,325 S *	2/2015	Williams	D14/489
8,994,827 B2 *	3/2015	Mistry	H04N 5/2252
				348/158

(Continued)

Primary Examiner — Robin V Webster
Assistant Examiner — Rachel A Voorhies
(74) *Attorney, Agent, or Firm* — Kilpatrick Townsend & Stockton LLP

(57) **CLAIM**

The ornamental design for a display screen or portion thereof with an animated graphical user interface, as shown and described.

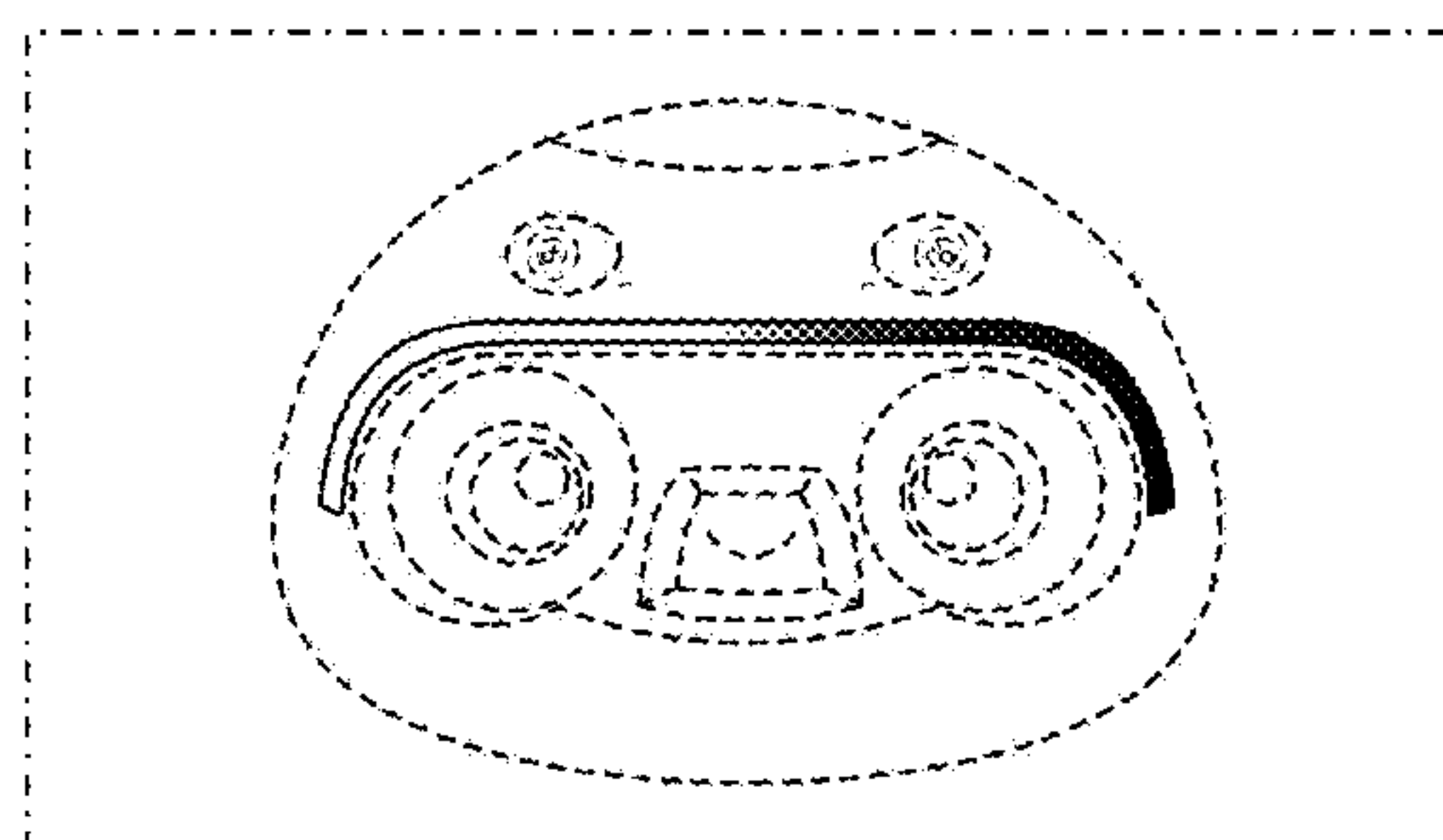
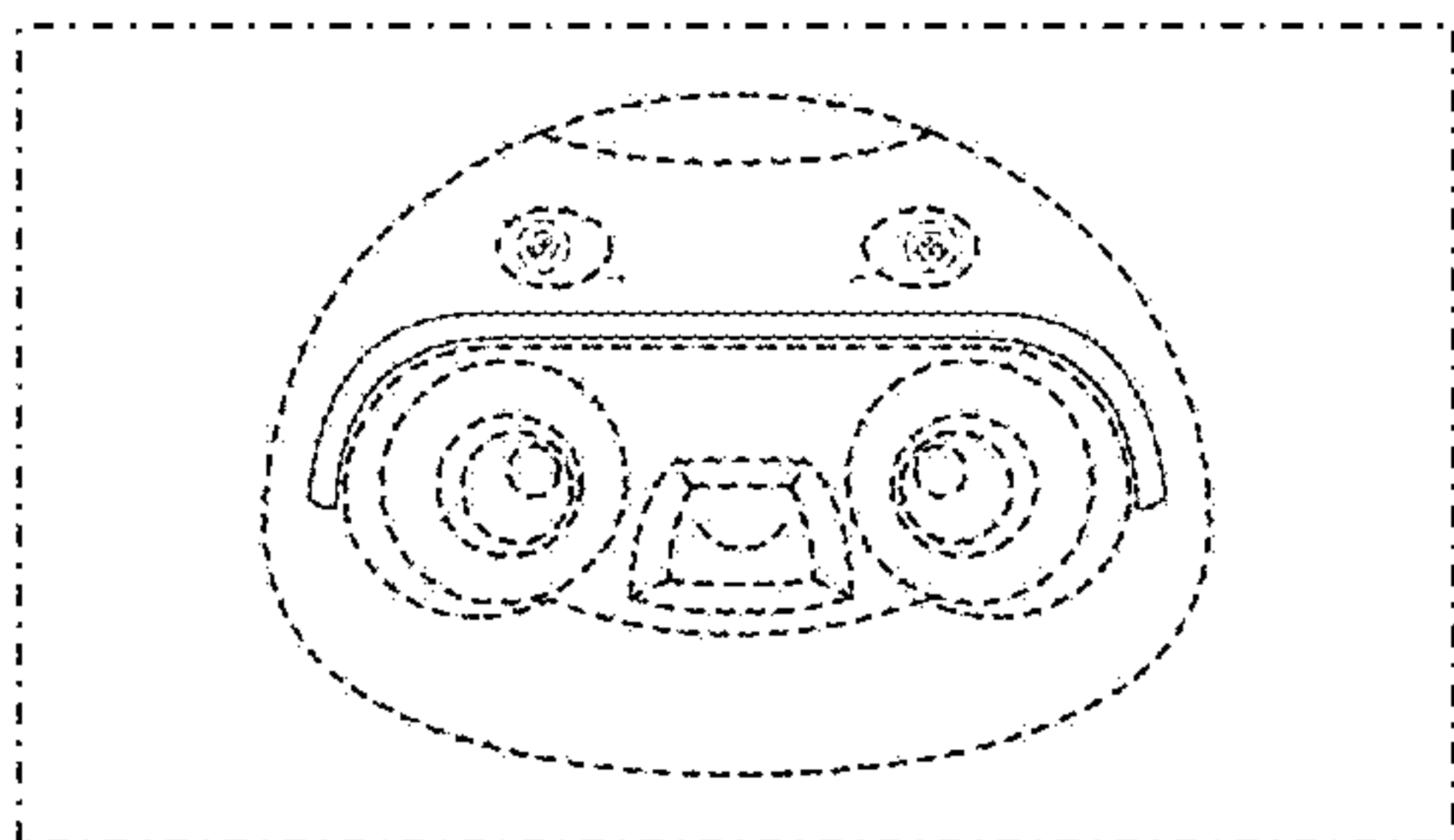
DESCRIPTION

FIG. 1 is a front view of a first image of a first embodiment of a display screen or portion thereof with an animated graphical user interface showing our new design; FIG. 2 is a front view of a second image thereof; FIG. 3 is a front view of a third image thereof; FIG. 4 is a front view of a fourth image thereof; FIG. 5 is a front view of a first image of a second embodiment of a display screen or portion thereof with an animated graphical user interface showing our new design; FIG. 6 is a front view of a second image thereof; FIG. 7 is a front view of a third image thereof; and, FIG. 8 is a front view of a fourth image thereof.

In the first embodiment, the appearance of the transitional image sequentially transitions between the images shown in FIGS. 1 through 4. In the second embodiment, the appearance of the transitional image sequentially transitions between the images shown in FIGS. 5 through 8. The process or period in which one image transitions to another image forms no part of the claimed design.

The dash-dot broken line showing of a portion of a display screen in FIGS. 1-8 represents environmental subject matter and forms no part of the claimed design. The dashed broken line showing of portions of the graphical user interface in FIGS. 1-8 represents environmental subject matter and forms no part of the claimed design.

1 Claim, 8 Drawing Sheets



(56)

References Cited

U.S. PATENT DOCUMENTS

D728,622 S * 5/2015 Myung D14/494
 D737,313 S * 8/2015 Kim H04L 67/22
 D743,432 S * 11/2015 Sergeev D14/487
 D761,277 S * 7/2016 Harvell D14/485
 D761,812 S * 7/2016 Motamedi D14/485
 D761,857 S * 7/2016 Mariet D14/491
 D763,910 S * 8/2016 Drozd D14/485
 D775,139 S * 12/2016 Jones D14/485
 D776,690 S * 1/2017 Tsujimoto D14/486
 D777,772 S * 1/2017 Zhang D14/488
 D781,875 S * 3/2017 Wang D14/485
 D781,876 S * 3/2017 Wang D14/485
 D785,658 S * 5/2017 Moroney D14/486
 D786,892 S * 5/2017 Mariet D14/485
 D786,893 S * 5/2017 Mariet D14/485
 D794,675 S * 8/2017 Liu D14/489
 D797,114 S * 9/2017 Jeong D14/485
 D807,376 S * 1/2018 Mizono D14/485

D809,535 S * 2/2018 Park D14/485
 D824,400 S * 7/2018 Chang D14/485
 D826,952 S * 8/2018 Duriseti D14/485
 D826,976 S * 8/2018 Lee D14/487
 10,063,908 B2 * 8/2018 Jain H04N 21/4126
 D834,038 S * 11/2018 Kim D14/485
 D837,807 S * 1/2019 Baber D14/485
 2007/0136679 A1 * 6/2007 Yang H04N 5/44513
 715/772
 2012/0096383 A1 * 4/2012 Sakamoto G06F 3/048
 715/772
 2013/0162571 A1 * 6/2013 Tamegai G06F 3/0412
 345/173
 2013/0325322 A1 * 12/2013 Blumenberg G01C 21/367
 701/420
 2014/0162595 A1 * 6/2014 Raleigh H04L 67/22
 455/405
 2015/0205511 A1 * 7/2015 Vinna G06F 3/0481
 715/716
 2015/0325271 A1 * 11/2015 Kim G11B 27/11
 386/230

* cited by examiner

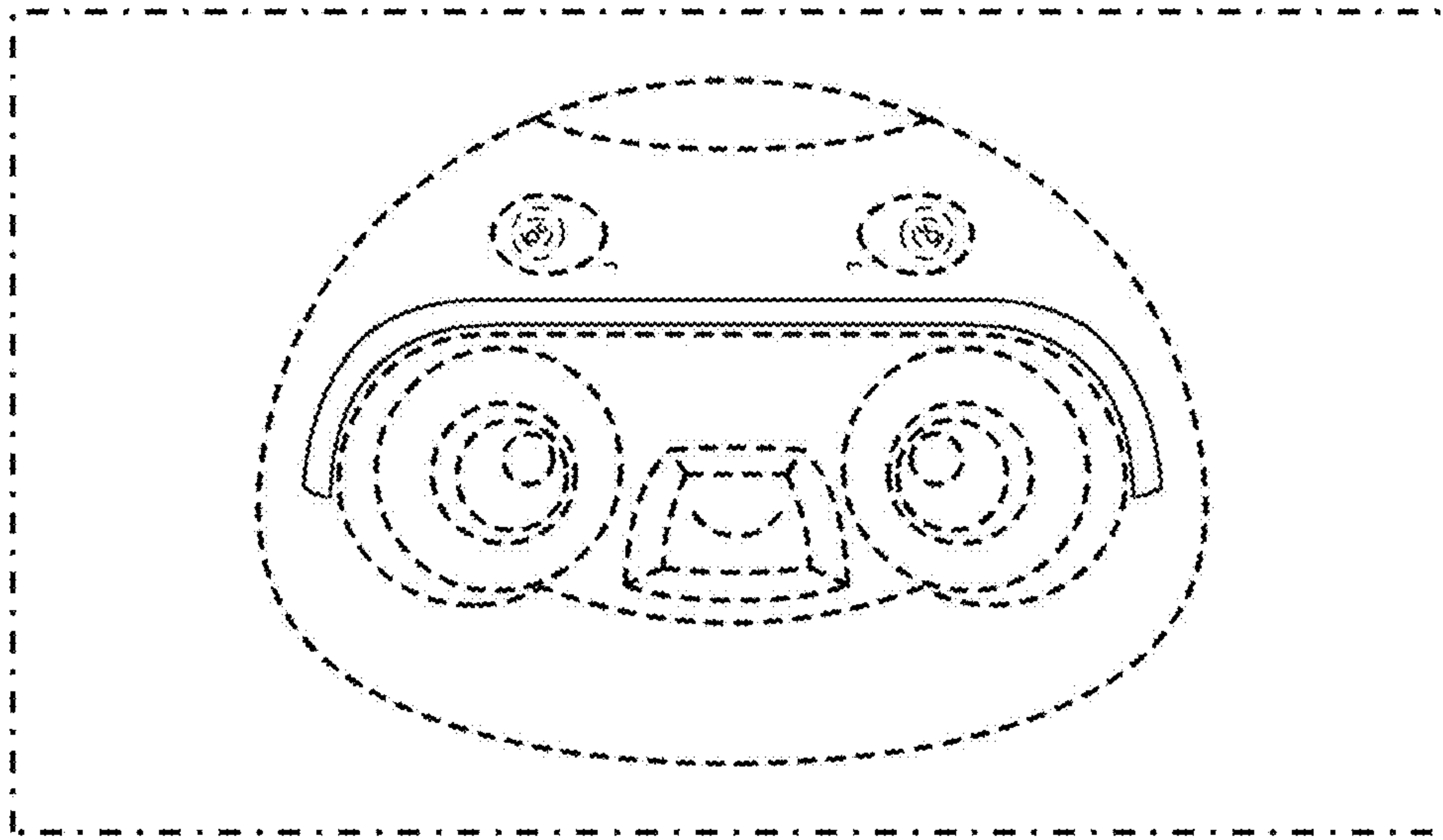


FIG. 1

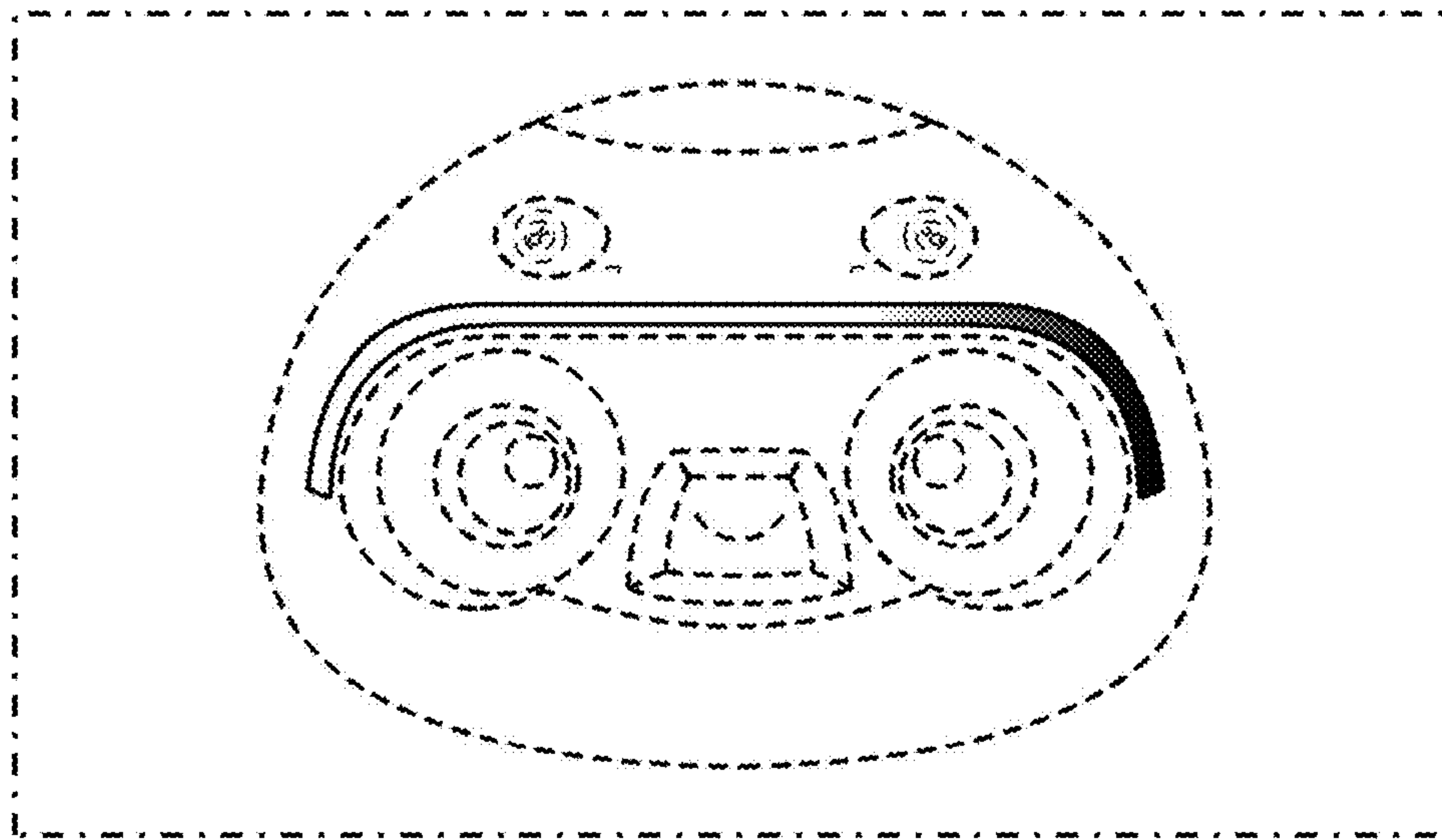


FIG. 2

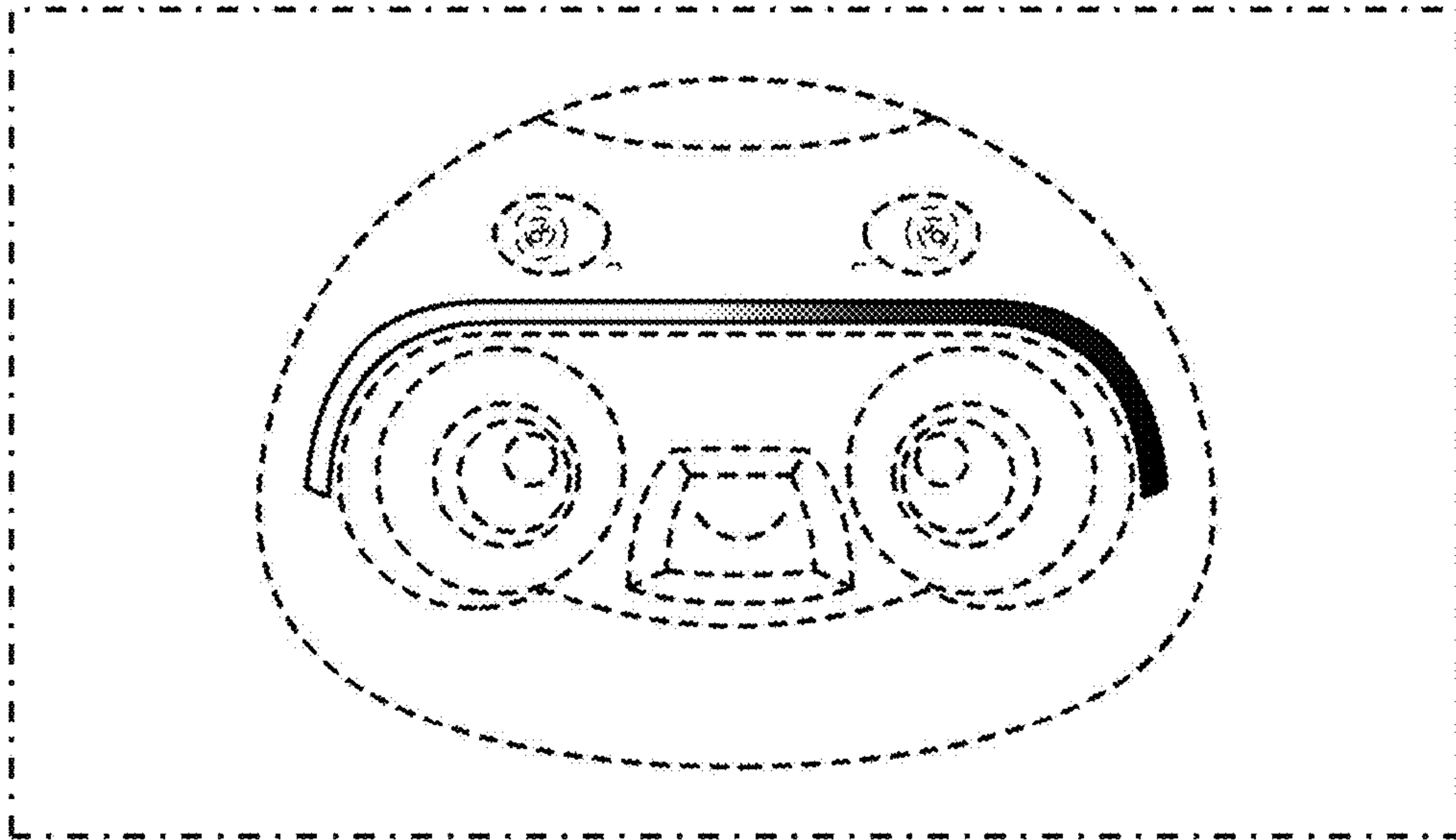


FIG. 3

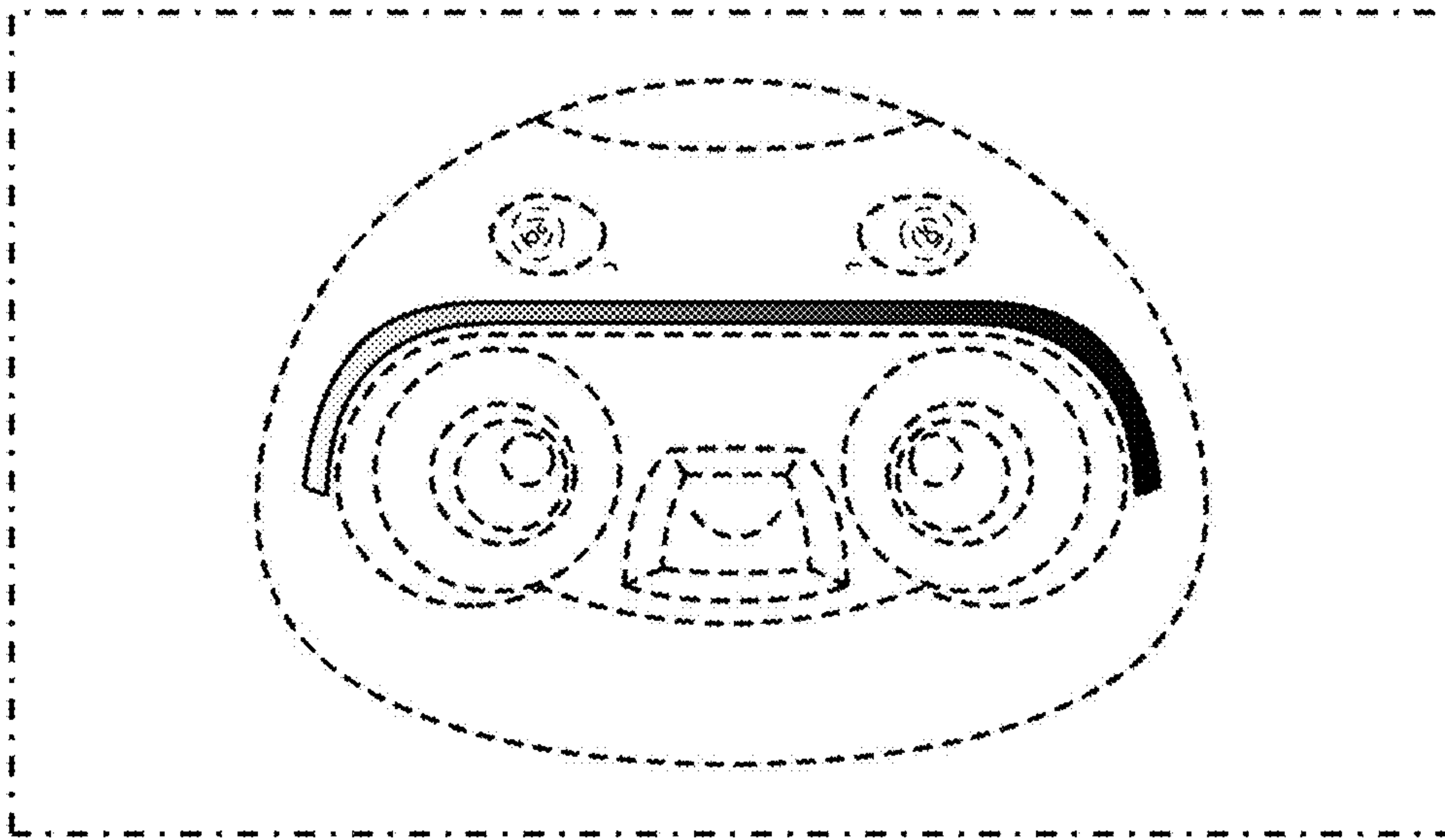


FIG. 4

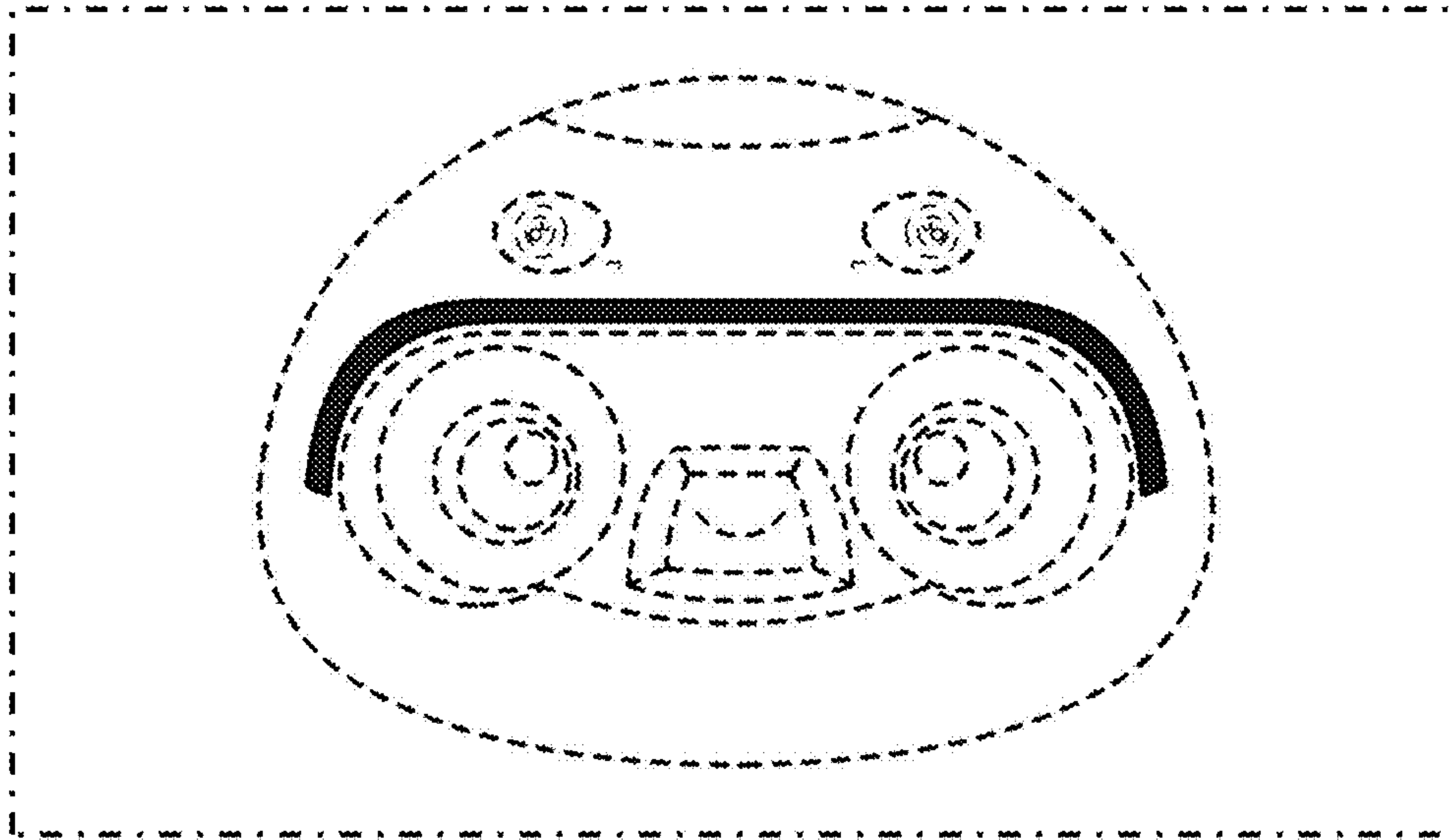


FIG. 5

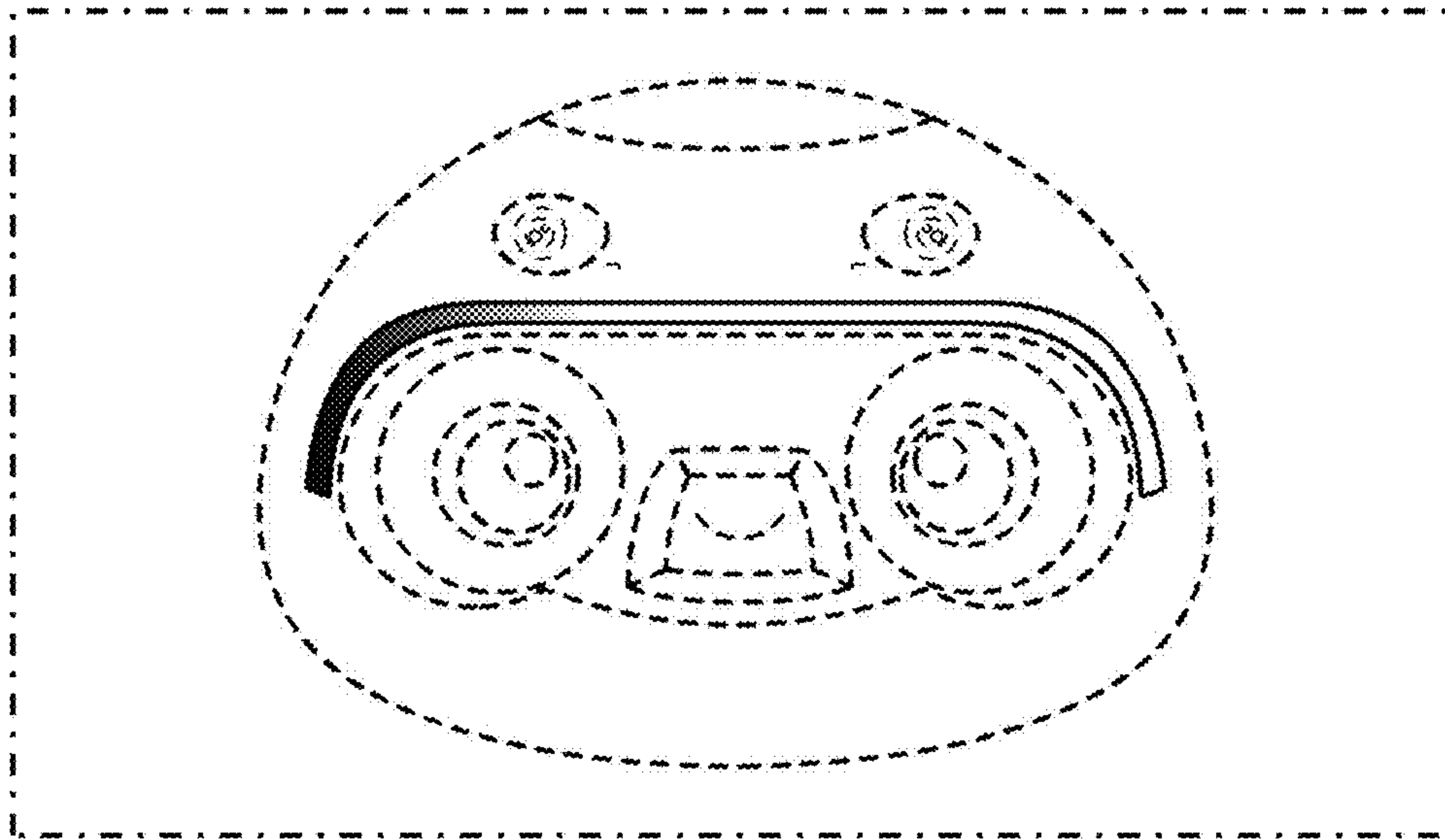


FIG. 6

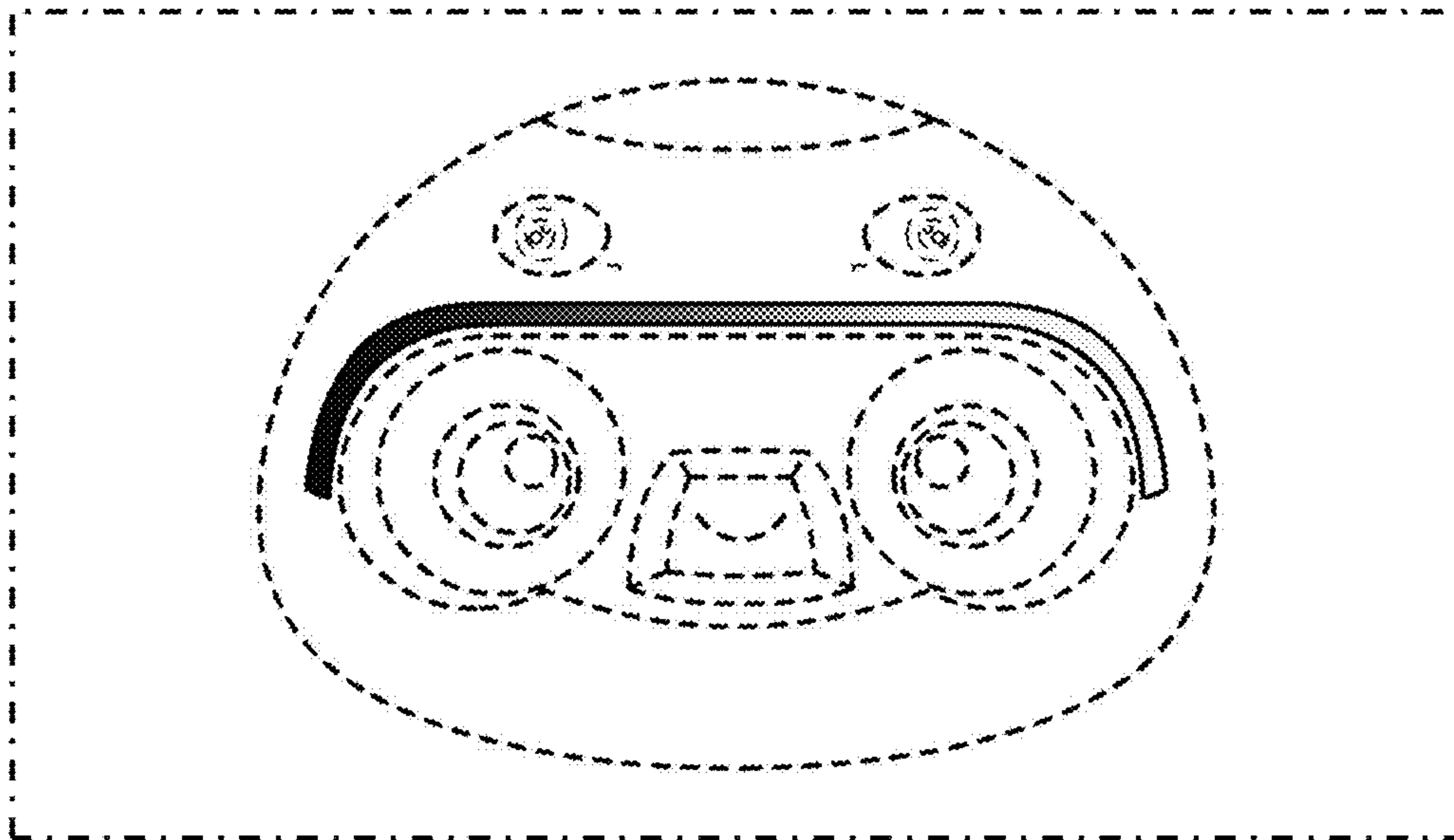


FIG. 7

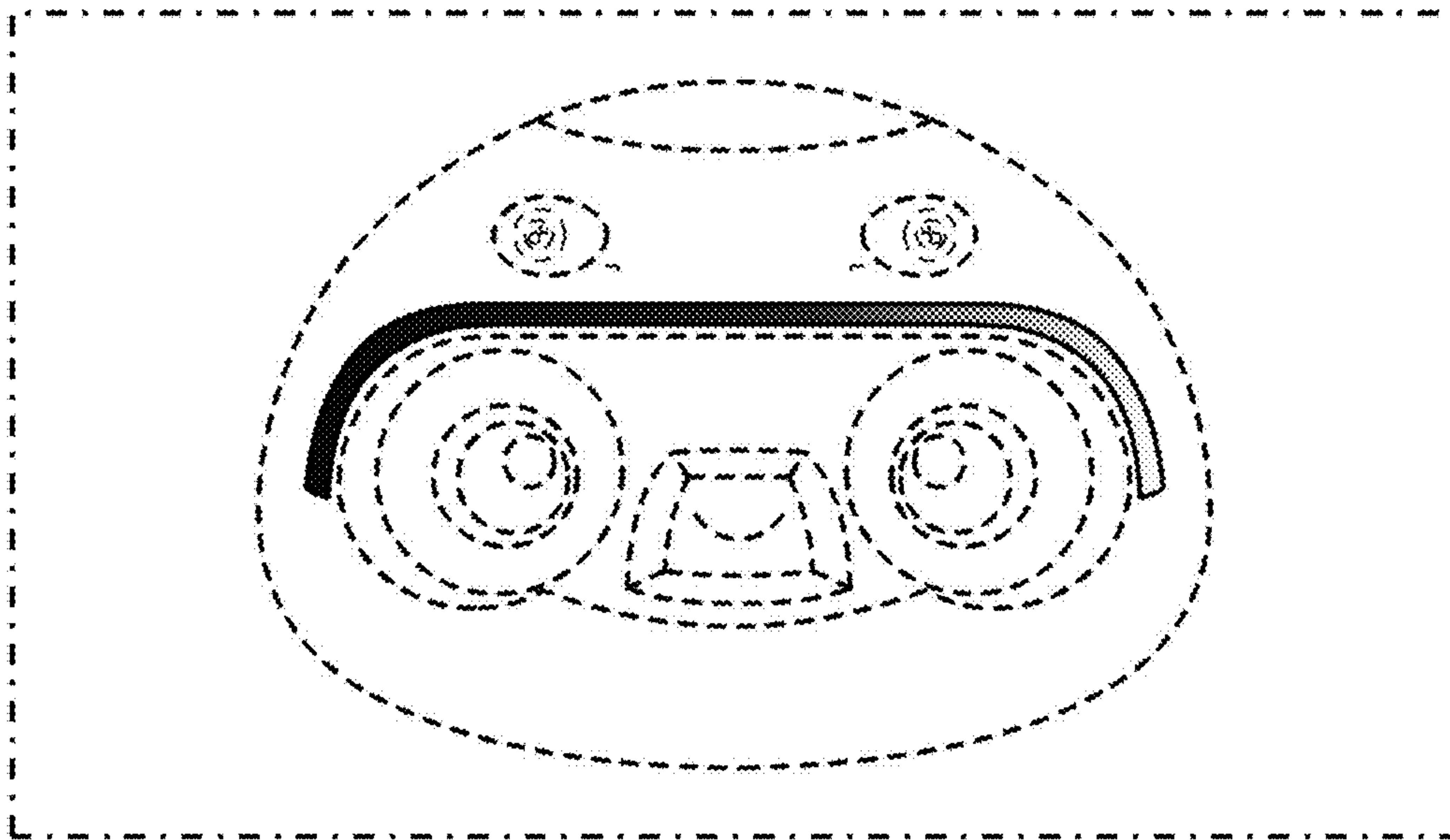


FIG. 8