



US00D848445S

(12) **United States Design Patent** (10) **Patent No.:** **US D848,445 S**
Aulert (45) **Date of Patent:** **** May 14, 2019**

(54) **DONGLE**
(71) Applicant: **RF IDEas, Inc.**, Rolling Meadows, IL (US)
(72) Inventor: **Michael C. Aulert**, Cary, IL (US)
(73) Assignee: **RF IDEAS, INC.**, Rolling Meadows, IL (US)

D688,651 S * 8/2013 Daniel D14/240
D700,372 S * 2/2014 Altman D14/435.1
D707,688 S 6/2014 Wu
D733,651 S * 7/2015 Liu D13/108
D736,150 S * 8/2015 Liu D13/108
D737,201 S * 8/2015 Liu D13/108
D759,003 S * 6/2016 Daniel D14/240
D759,030 S 6/2016 Kim
D764,479 S * 8/2016 Kim D14/480.1
(Continued)

(**) Term: **15 Years**

OTHER PUBLICATIONS

(21) Appl. No.: **29/554,973**
(22) Filed: **Feb. 17, 2016**
(51) **LOC (11) Cl.** **14-03**
(52) **U.S. Cl.**
USPC **D14/480.1**
(58) **Field of Classification Search**
USPC D14/435.1, 480.1–480.7
CPC H05K 5/0278; G06K 19/07732
See application file for complete search history.

No Author Listed, Flexible and Universal Swivel Twist Angle 360 Degree Rotating USB2.0 Male to Female Connector Adapter/ Extension Converter(Black), Amazon. http://www.amazon.com/gp/product/B01488I4N4/ref=pd_lpo_sbs_dp_ss_2?pf_rd_p=1944687702&pf_rd_s=lpo-top-stripe-1&pf_rd_t=201&pf_rd_i=B00RX56GNU&pf_rd_m=ATVPDKIKX0DER&pf_rd_r=07P8JEF7TKBPKBJDWITHG [last accessed Apr. 19, 2016].

(Continued)

Primary Examiner — Angela J Lee
(74) *Attorney, Agent, or Firm* — Hoffmann and Baron, LLP

(56) **References Cited**

U.S. PATENT DOCUMENTS

D444,788 S 7/2001 Do et al.
D454,130 S 3/2002 Do et al.
6,522,534 B1 * 2/2003 Wu G06K 19/041
312/223.2
6,544,075 B1 4/2003 Liao
D532,776 S 11/2006 Griffin
D535,993 S 1/2007 Ueda
D536,695 S * 2/2007 Griffin D14/230
D566,114 S 4/2008 Chu
D597,077 S 7/2009 Brandenburg
D603,864 S * 11/2009 Borislow D14/435.1
D618,240 S * 6/2010 Larmour D14/230
D631,885 S * 2/2011 Maier D14/435.1
D635,142 S * 3/2011 Borislow D14/435.1
D641,364 S * 7/2011 McParland D14/356
D642,585 S * 8/2011 Lan D14/480.5
D668,258 S * 10/2012 Lee D14/480.1
D672,351 S 12/2012 Camacho et al.
D678,187 S * 3/2013 Huang D13/103

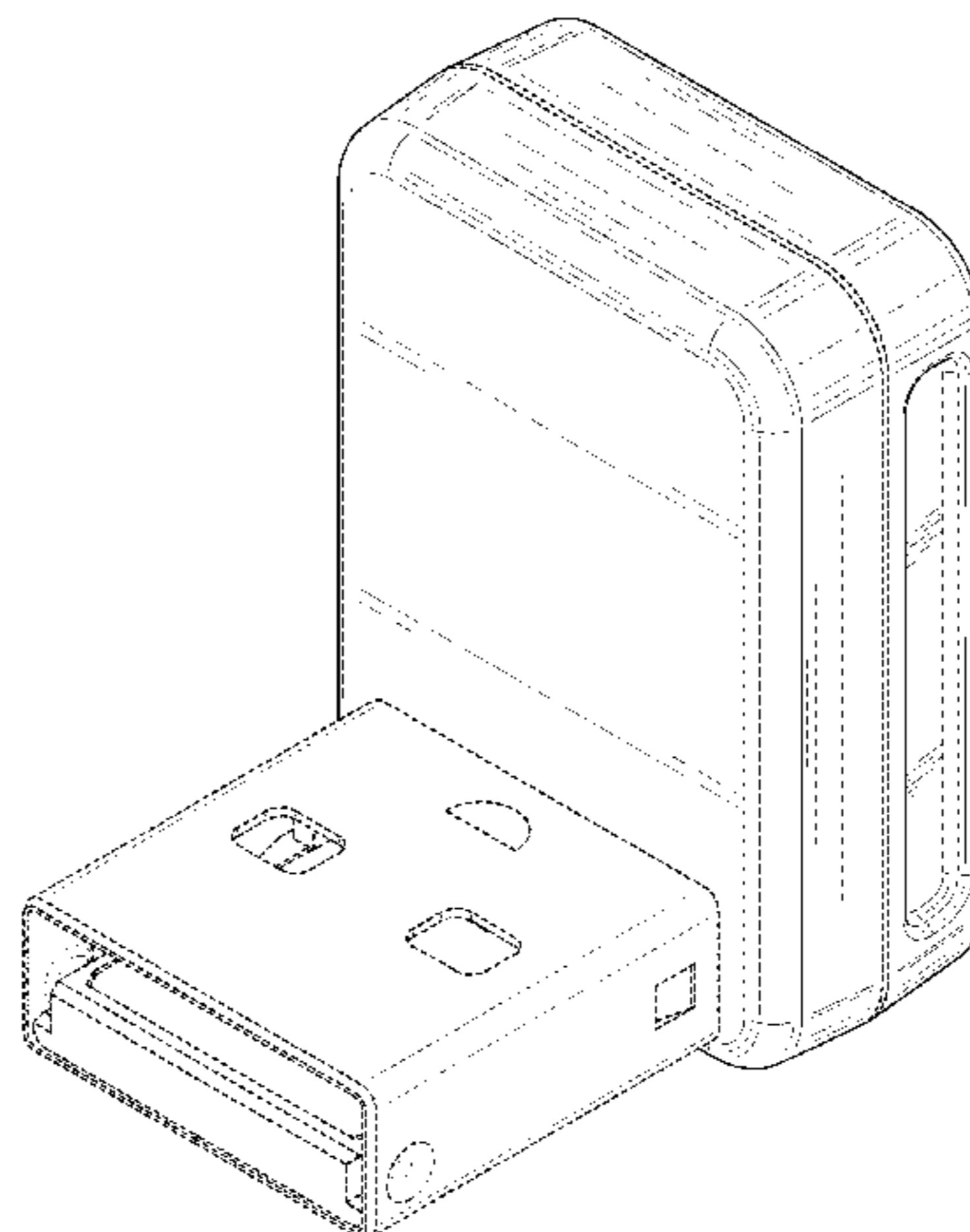
(57) **CLAIM**

The ornamental design for a dongle, as shown and described.

DESCRIPTION

FIG. 1 is a top perspective view of a dongle;
FIG. 2 is a front view thereof;
FIG. 3 is a rear view thereof;
FIG. 4 is a left side view thereof;
FIG. 5 is a right side view thereof;
FIG. 6 is a top view thereof; and,
FIG. 7 is a bottom view thereof.
The dashed lines shown illustrate portions of the dongle that form no part of the claimed design.

1 Claim, 7 Drawing Sheets



(56)

References Cited

U.S. PATENT DOCUMENTS

D765,082 S 8/2016 Allen et al.
D772,879 S 11/2016 Eliyahu
D781,866 S * 3/2017 Aulert D14/480.1
D781,867 S * 3/2017 Aulert D14/480.1
D786,264 S * 5/2017 Lin D14/480.1
D790,465 S * 6/2017 Zhao D13/110
D798,307 S * 9/2017 Otsuka D14/480.1
2007/0229025 A1* 10/2007 Tsai H01R 13/2442
320/111
2008/0144270 A1* 6/2008 Dal Porto H05K 5/0278
361/679.31
2010/0124010 A1* 5/2010 Shiu H05K 3/284
361/679.31

OTHER PUBLICATIONS

No Author Listed, IR remote control for PC and sockets . Part 1.
<https://geektimes.ru/post/257508/> [last accessed Apr. 19, 2016].

No Author Listed, Wireless Mouse M305. http://support.logitech.com/en_us/product/wireless-mouse-m305 [last accessed Apr. 19, 2016].

Chin, Cables Unlimited Wireless USB Adapter Kit Review, Everything USB. <http://www.everythingusb.com/cables-unlimited-wireless-usb-adapter-kit-15823.html> Dec. 2008. [last accessed Apr. 19, 2016].

* cited by examiner

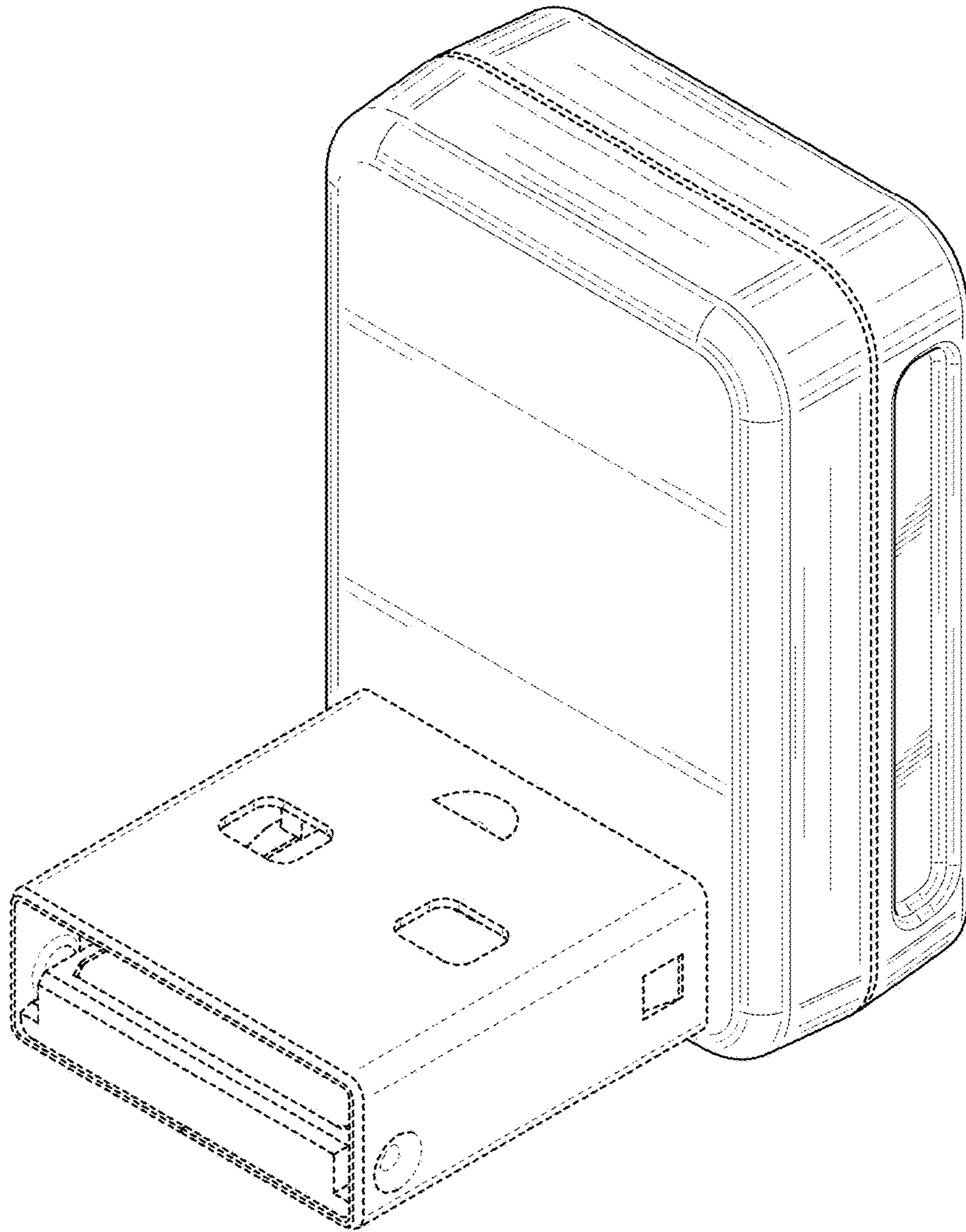


FIG. 1

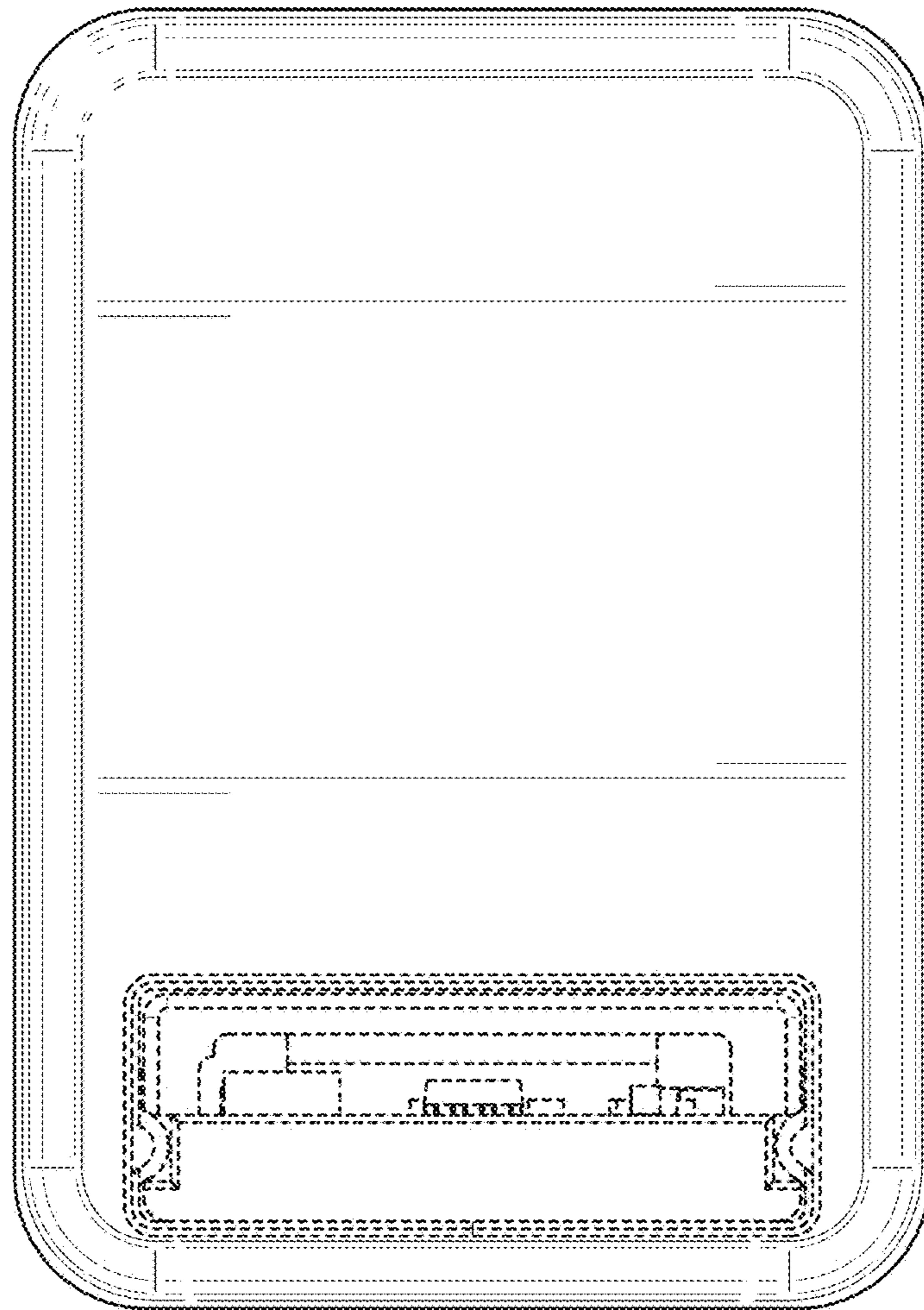


FIG. 2

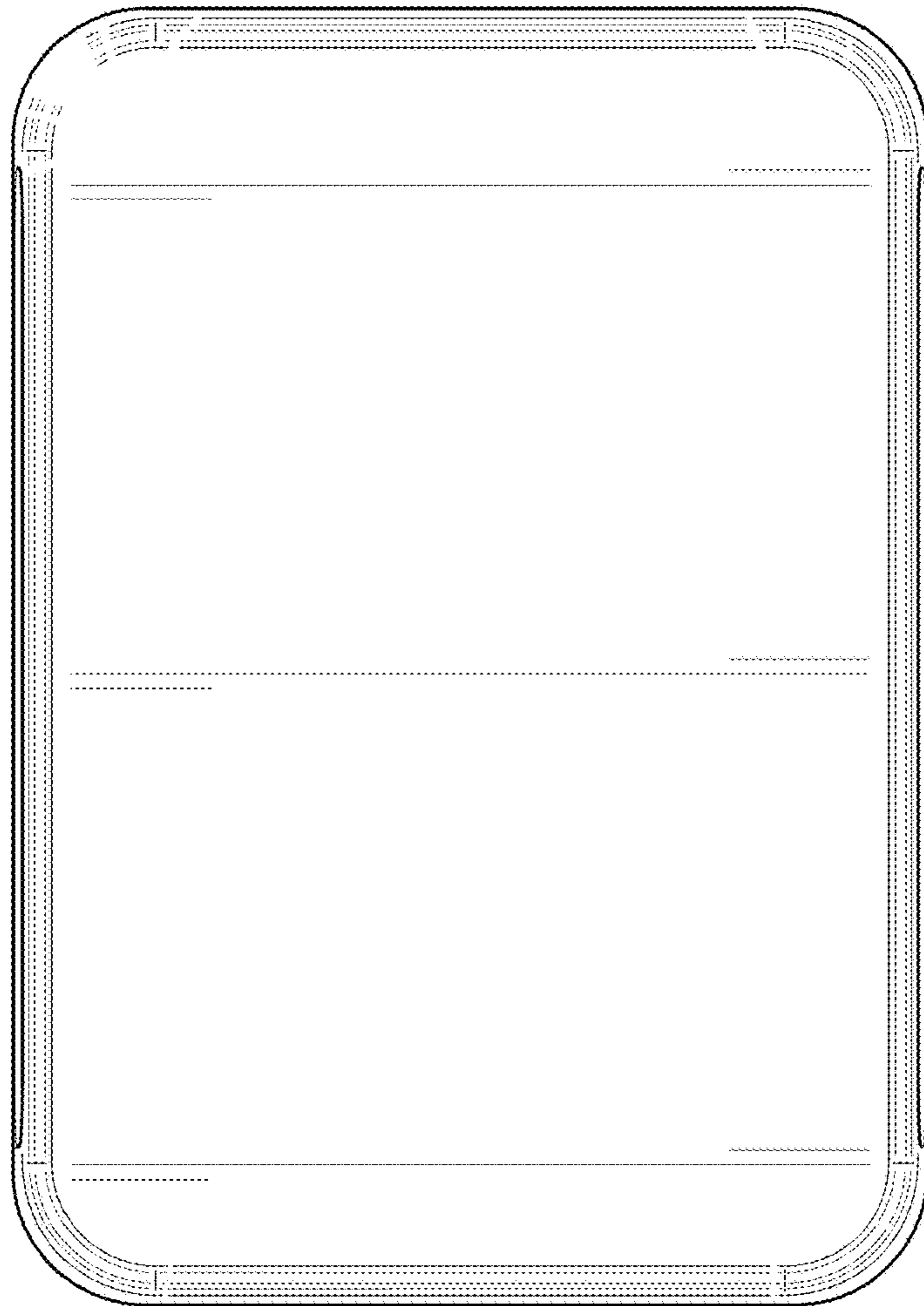


FIG. 3

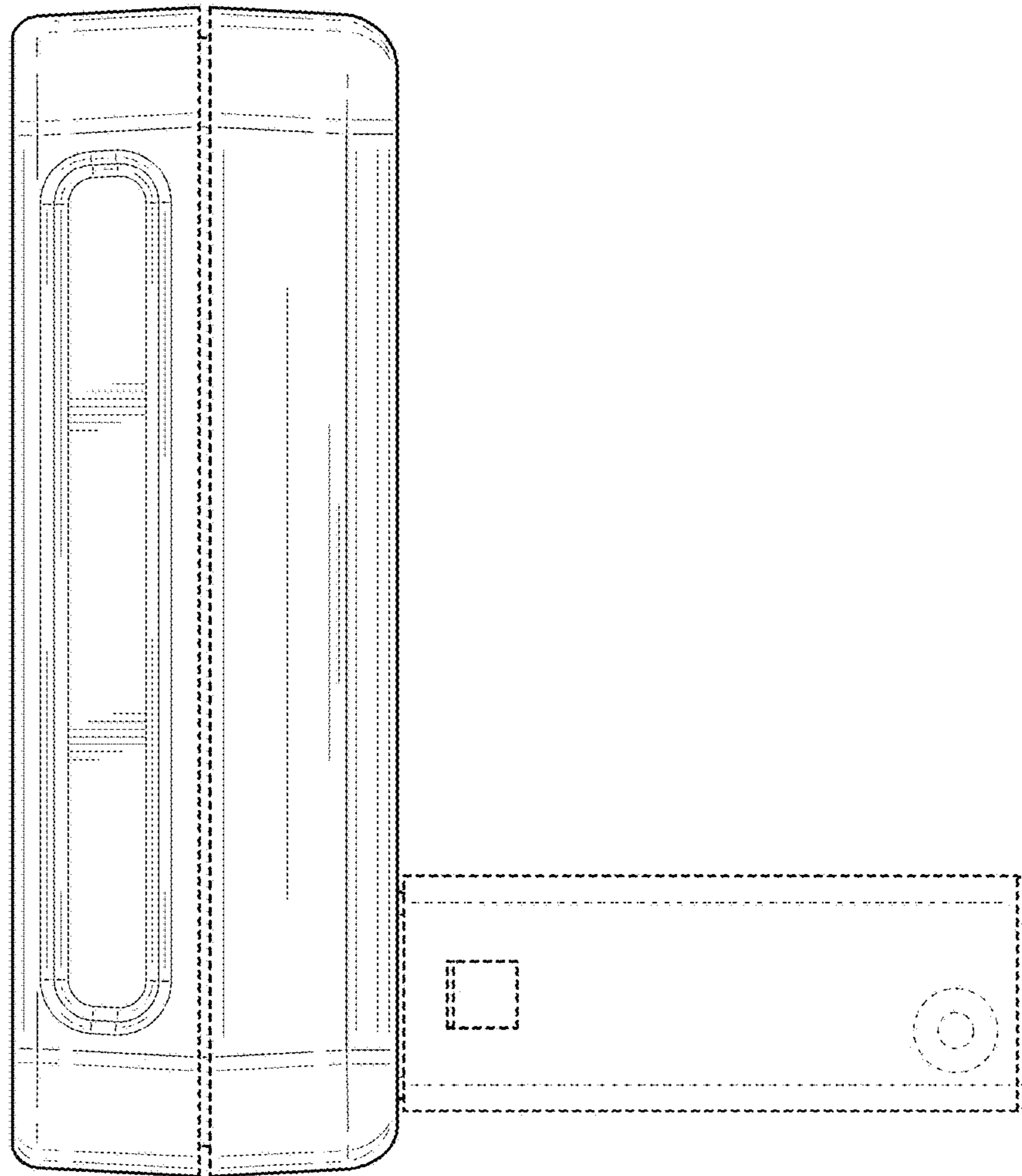


FIG. 4

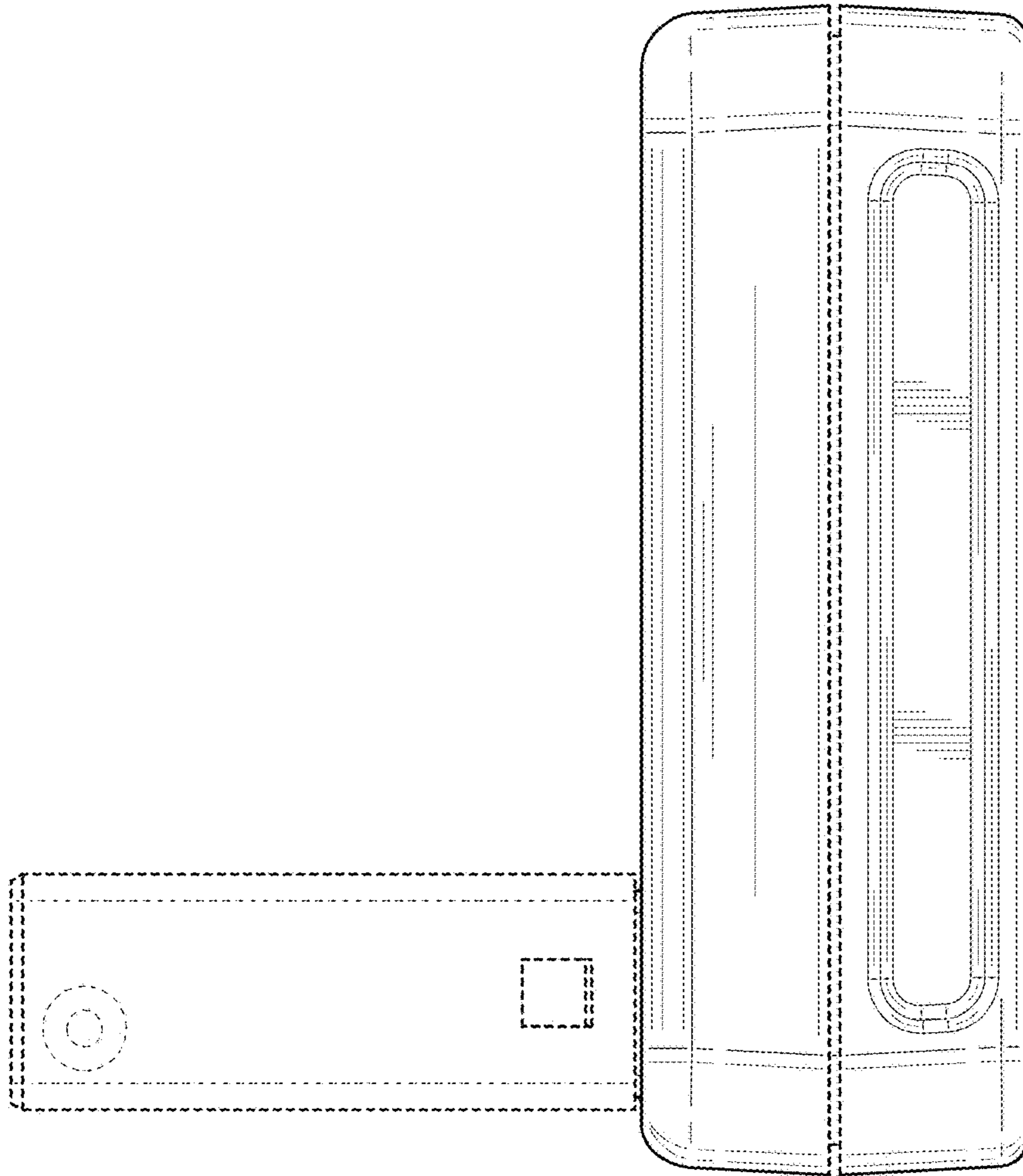


FIG. 5

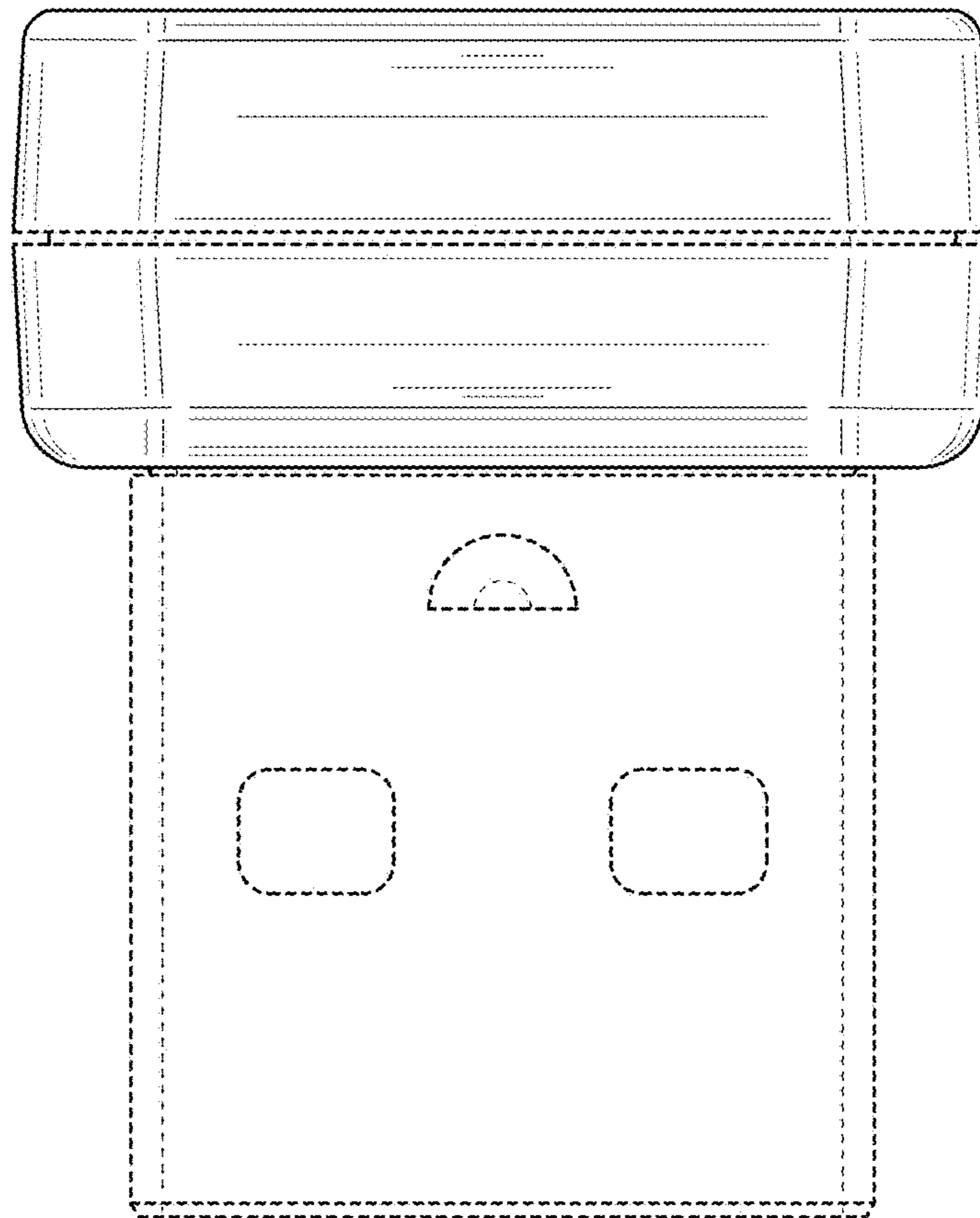


FIG. 6

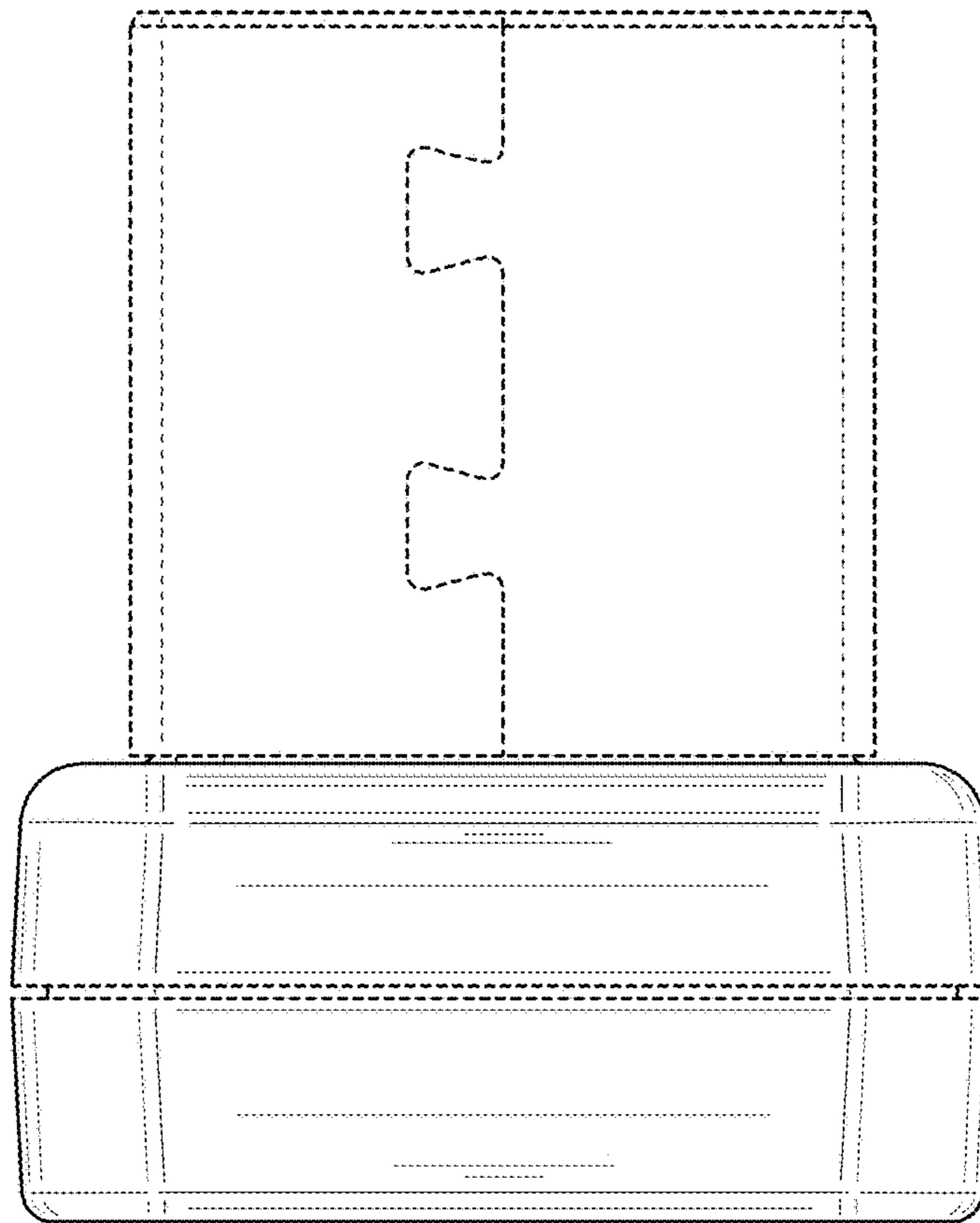


FIG. 7