



US00D848444S

(12) **United States Design Patent** (10) **Patent No.:** **US D848,444 S**
Jung et al. (45) **Date of Patent:** **** May 14, 2019**

(54) **STAND FOR MONITOR**

(71) Applicant: **SAMSUNG ELECTRONICS CO., LTD.**, Suwon-si, Gyeonggi-do (KR)
(72) Inventors: **Min-Joon Jung**, Seoul (KR); **Tae-Yeon Won**, Seoul (KR)
(73) Assignee: **SAMSUNG ELECTRONICS CO., LTD.**, Gyeonggi-Do (KR)

(**) Term: **15 Years**
(21) Appl. No.: **29/615,999**
(22) Filed: **Sep. 1, 2017**

(30) **Foreign Application Priority Data**

Mar. 3, 2017 (KR) 30-2017-0010010

(51) **LOC (11) Cl.** **14-02**

(52) **U.S. Cl.**
USPC **D14/452**

(58) **Field of Classification Search**
USPC D14/447-452, 336, 341, 371, 373, 374, D14/375, 376, 377, 126, 127, 128, 129
CPC F16M 11/105; F16M 11/10; F16M 11/048; F16M 11/12; F16M 13/022
See application file for complete search history.

(56) **References Cited**

U.S. PATENT DOCUMENTS

D555,657 S 11/2007 Loyd
D559,662 S * 1/2008 Sculler D8/380
D654,503 S * 2/2012 Sapper D14/452
D751,566 S * 3/2016 Anderson D14/452
D758,375 S * 6/2016 Won D14/451

(Continued)

FOREIGN PATENT DOCUMENTS

CN 303113781 S 2/2015
CN 303655216 S 4/2016

(Continued)

OTHER PUBLICATIONS

MonitorNerds. Link: <https://www.monitornerds.com/samsung-cfg70-review-144hz-curved-gaming-monitor/>. Nov. 29, 2016. Samsung CFG70 Review—144Hz Curved Gaming Monitor. (Year: 2016).*

Primary Examiner — Susan Bennett Hattan
Assistant Examiner — Lauren D McVey
(74) *Attorney, Agent, or Firm* — Cantor Colburn LLP

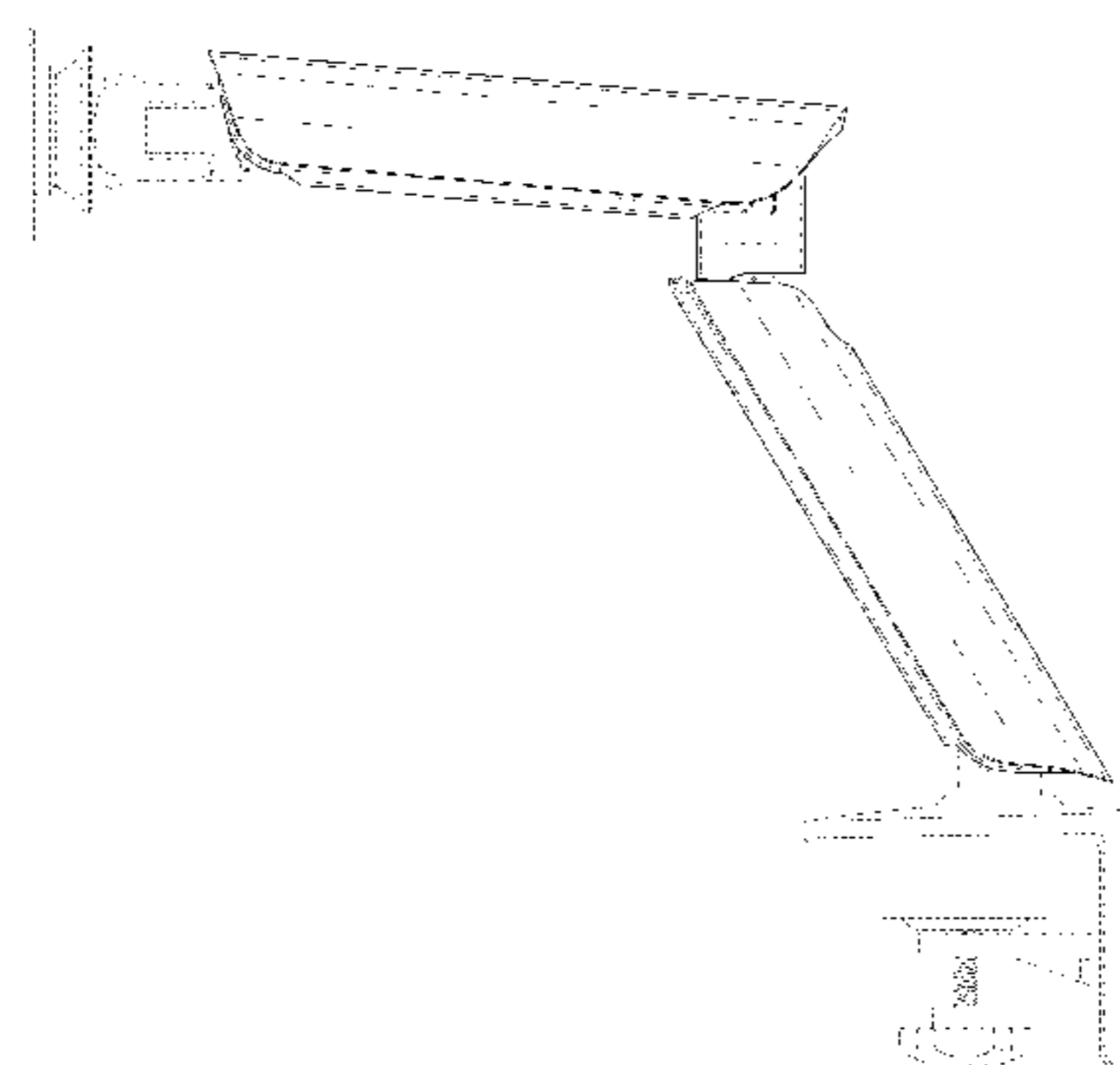
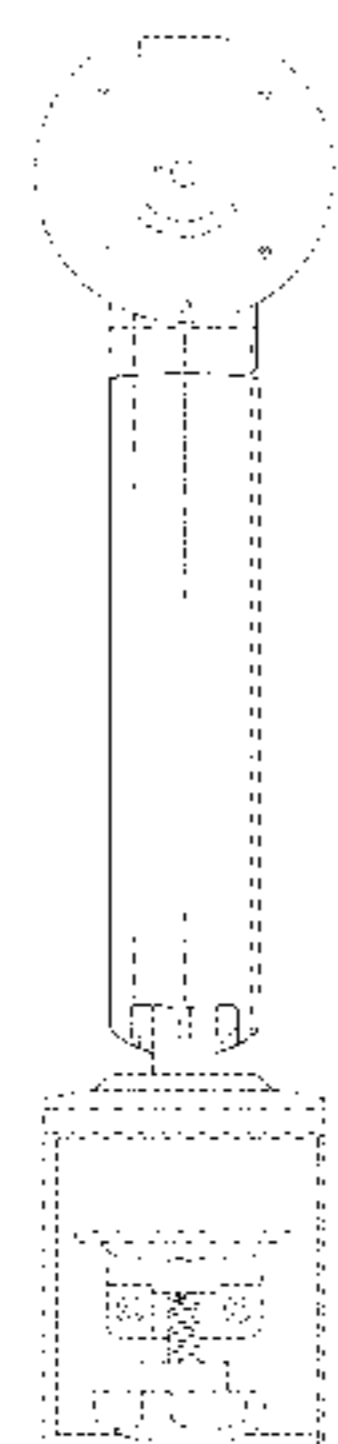
(57) **CLAIM**

The ornamental design for a stand for monitor, as shown and described.

DESCRIPTION

FIG. 1 is a front perspective view of a stand for monitor, showing our new design;
FIG. 2 is a front view thereof;
FIG. 3 is a rear view thereof;
FIG. 4 is a left side view thereof;
FIG. 5 is a right side view thereof;
FIG. 6 is a top plan view thereof;
FIG. 7 is a bottom plan view thereof;
FIG. 8 is a rear perspective view thereof;
FIG. 9 is another front perspective view thereof shown with additional environment;
FIG. 10 is another right side view thereof in shown with additional environment; and,
FIG. 11 is another right side view thereof in shown with additional environment.
The broken lines immediately adjacent to the shaded areas represent the bounds of the claimed design while all other broken lines are directed to environment. In addition, the unshaded surface that directly adjoins the claimed solid line edge forms no part of the claimed design. The broken lines form no part of the claimed design.

1 Claim, 11 Drawing Sheets



(56)

References Cited

U.S. PATENT DOCUMENTS

D762,213	S	*	7/2016	Won	D14/374
D799,483	S	*	10/2017	Won	D14/376
D807,895	S	*	1/2018	Won	D14/452
D809,519	S	*	2/2018	Jung	D14/452
D815,105	S	*	4/2018	Jung	D14/452
D816,671	S	*	5/2018	Jung	D14/374
D828,362	S	*	9/2018	Jung	D14/451
D834,584	S	*	11/2018	Jung	D14/452
2014/0367137	A1	*	12/2014	Leung	H02G 3/045 174/68.3

FOREIGN PATENT DOCUMENTS

EM	002114991-0001		2/2013
JP	D1418368	S	7/2011
WO	D095073-001	*	8/2017
WO	D095073-003	*	8/2017
WO	D090608-001	*	11/2017
WO	D090608-002	*	11/2017

* cited by examiner

FIG. 1

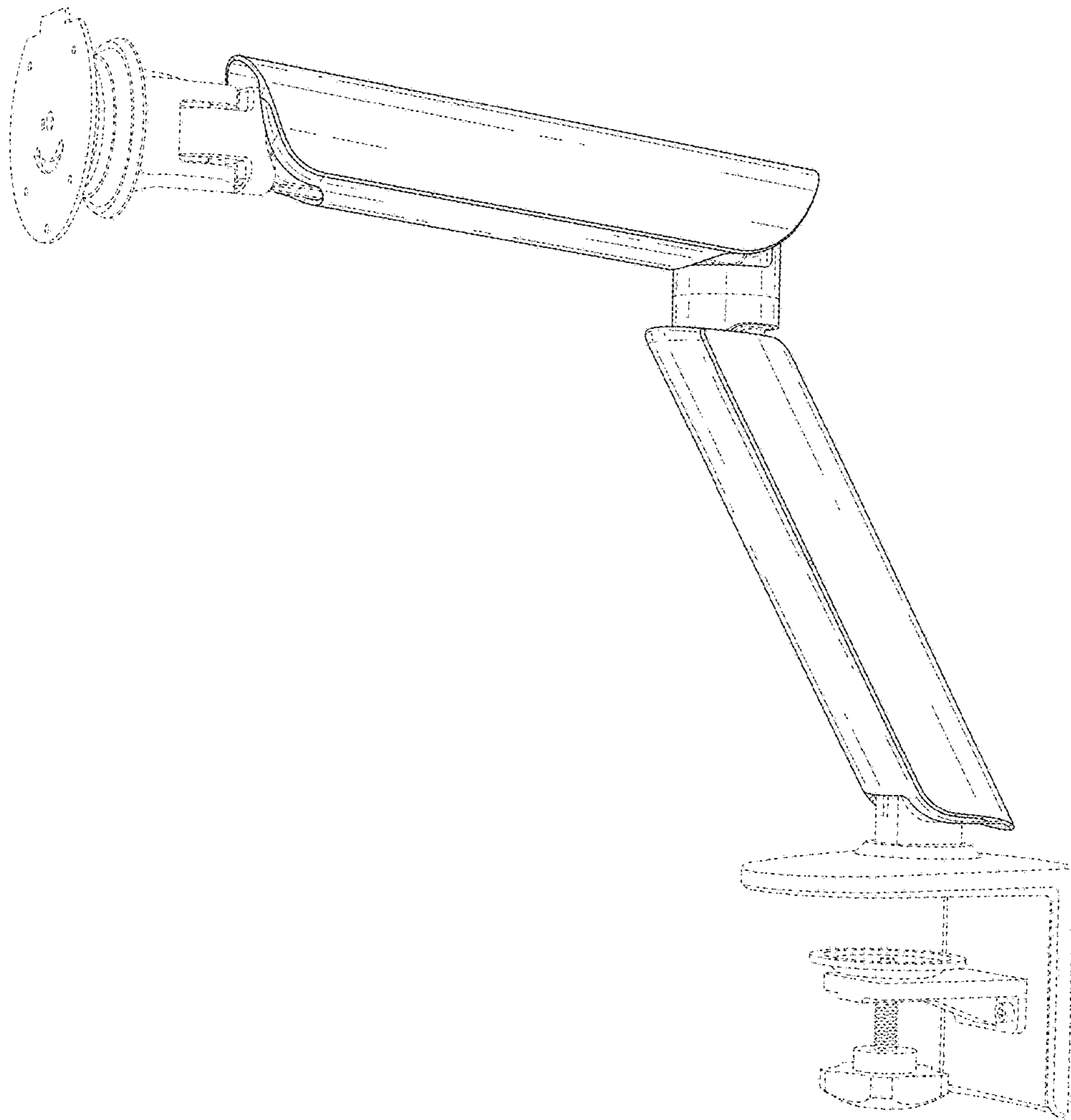


FIG. 2

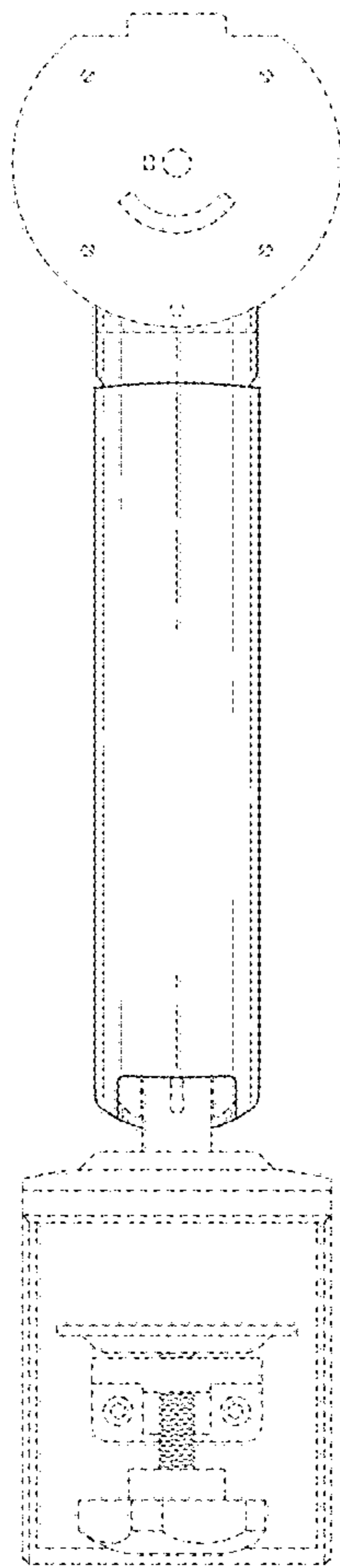


FIG. 3

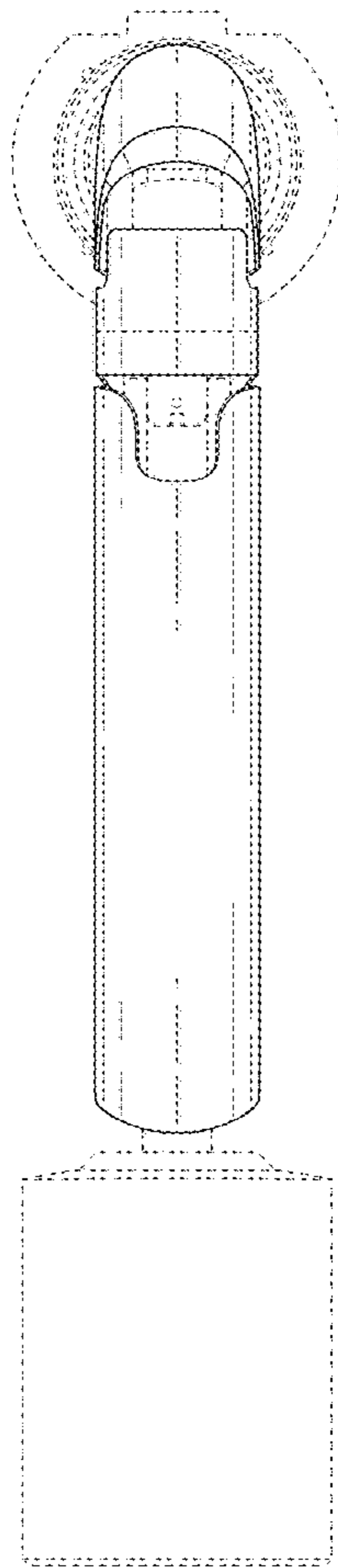


FIG. 4

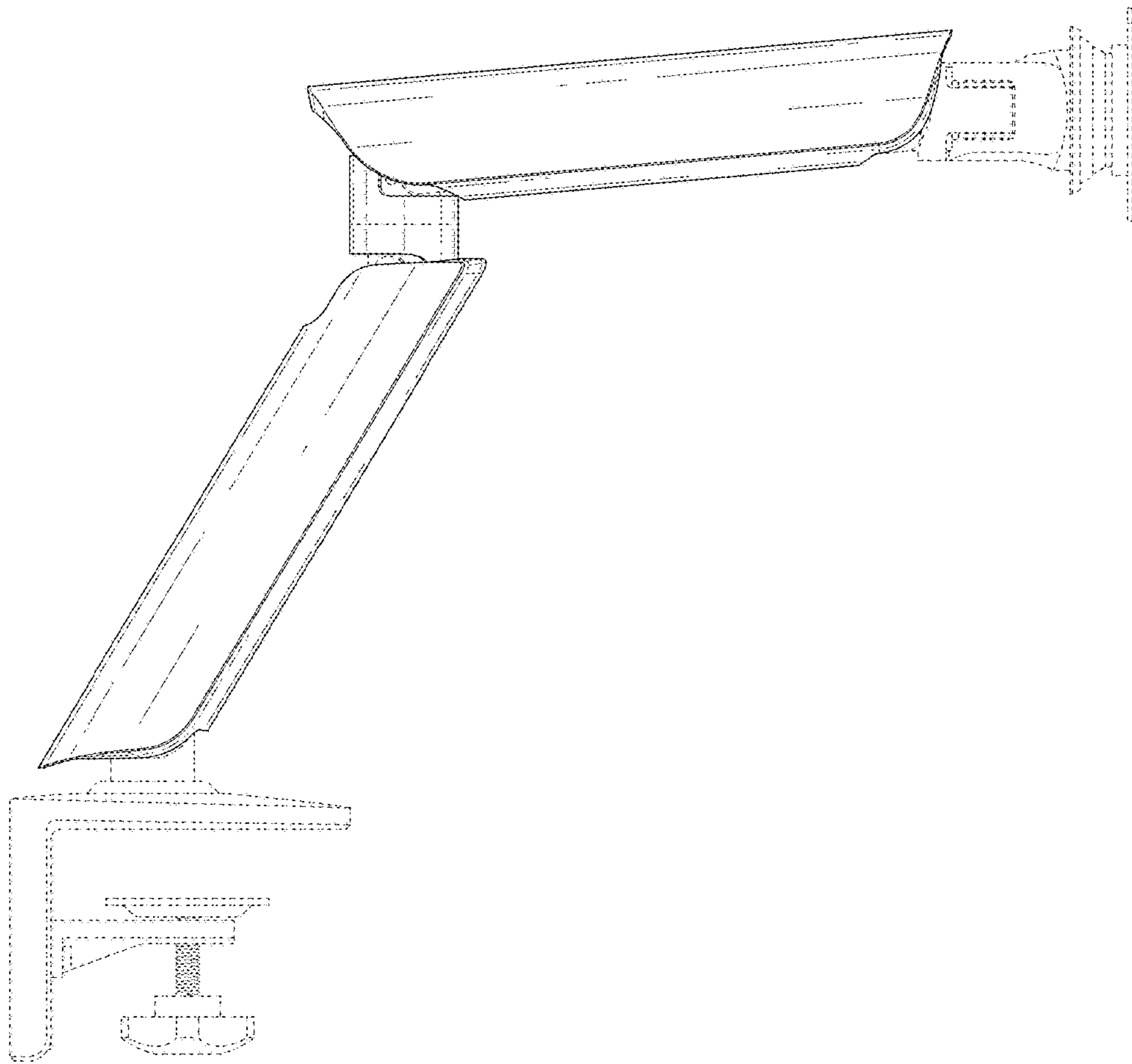


FIG. 5

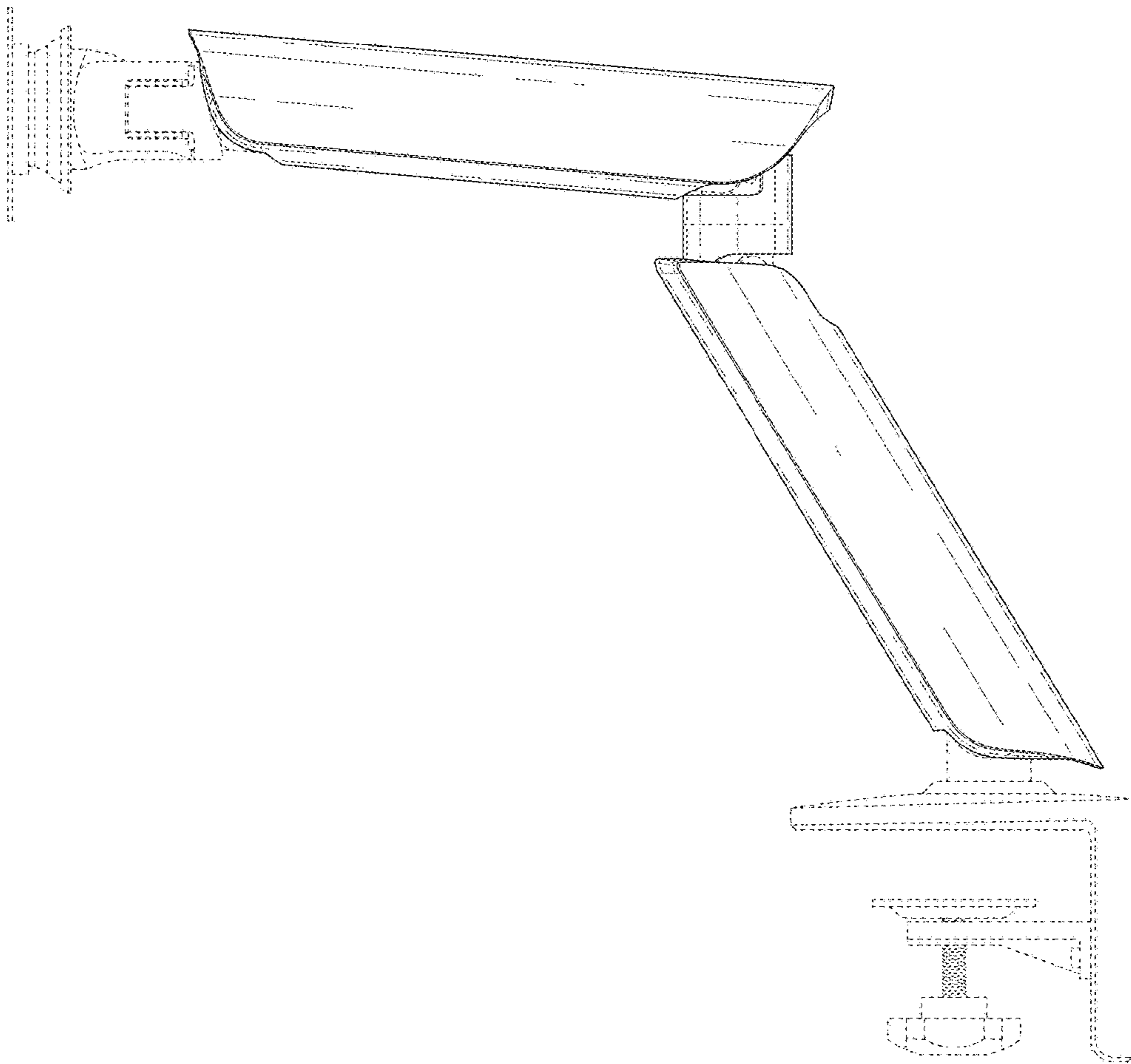


FIG. 6

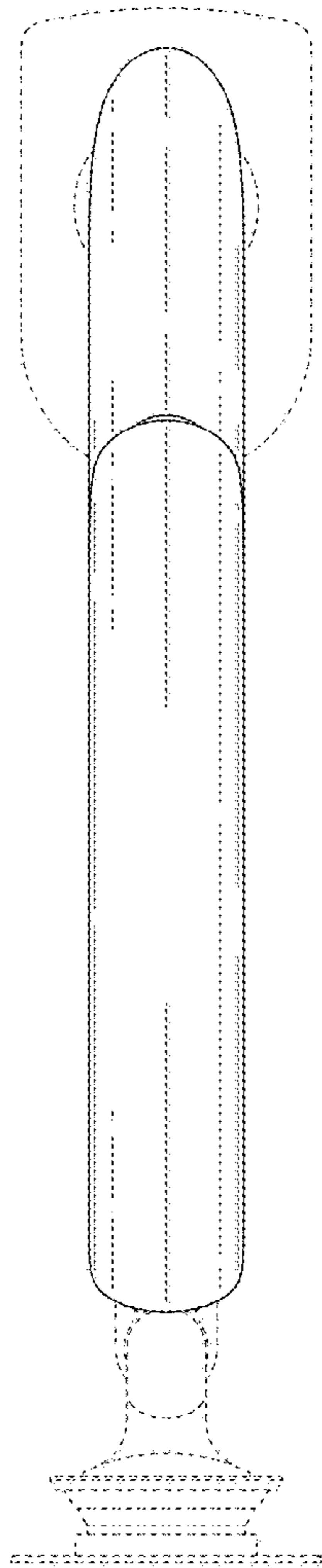


FIG. 7

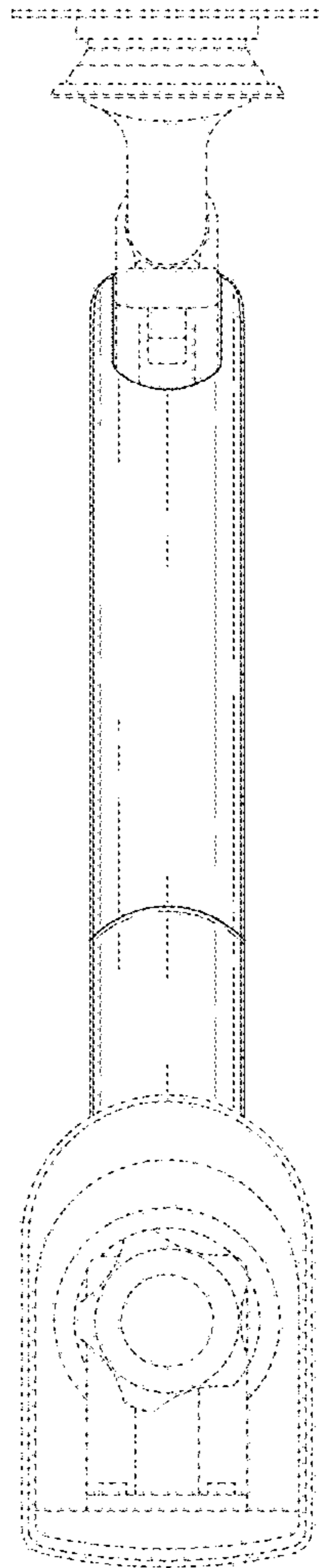


FIG. 8

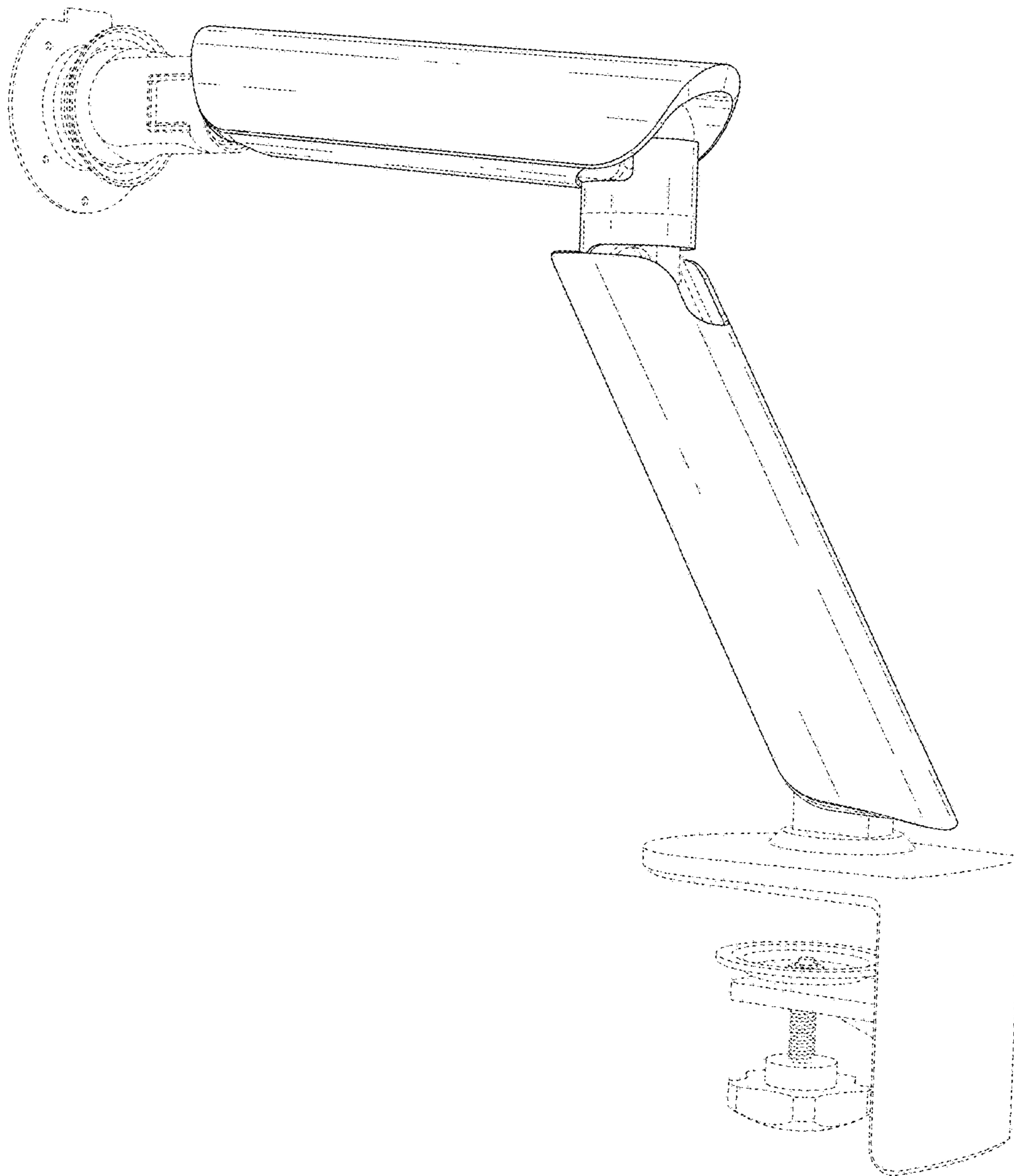


FIG. 9

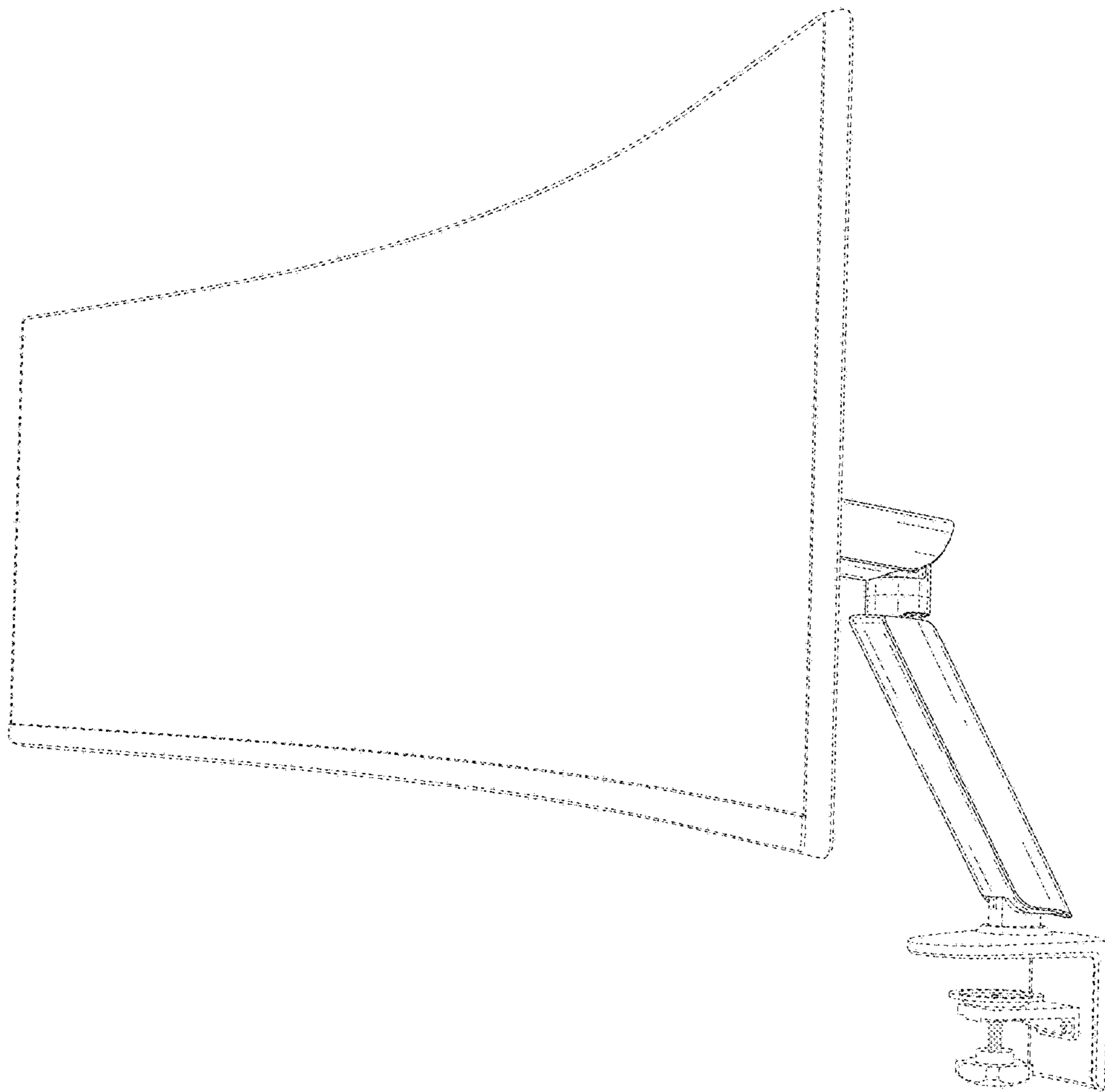


FIG. 10

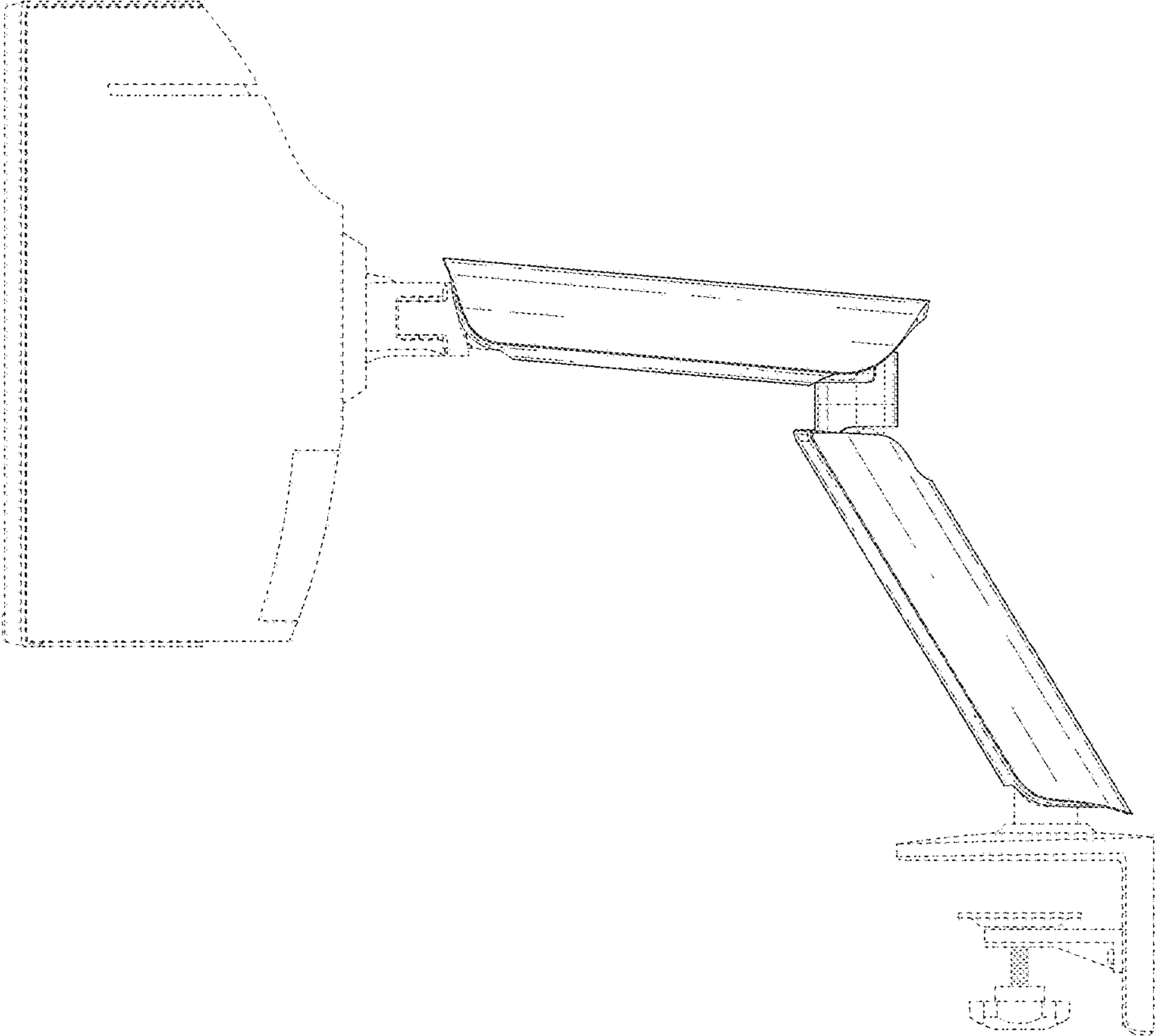


FIG. 11

