



US00D848442S

(12) **United States Design Patent**
Okuley

(10) **Patent No.:** **US D848,442 S**

(45) **Date of Patent:** **** *May 14, 2019**

(54) **ELECTRONIC DEVICE WITH A MODULAR
TABLET STAND**

(71) Applicant: **Intel Corporation**, Santa Clara, CA
(US)

(72) Inventor: **James M. Okuley**, Portland, OR (US)

(73) Assignee: **Intel Corporation**, Santa Clara, CA
(US)

(*) Notice: This patent is subject to a terminal disclaimer.

(**) Term: **15 Years**

(21) Appl. No.: **29/592,438**

(22) Filed: **Jan. 30, 2017**

Related U.S. Application Data

(63) Continuation of application No. 29/513,136, filed on
Dec. 27, 2014, now Pat. No. Des. 783,625.

(51) **LOC (11) Cl.** **08-07**

(52) **U.S. Cl.**
USPC **D14/447**

(58) **Field of Classification Search**
USPC D14/447, 432, 434, 439, 440, 451, 452,
D14/457, 239; D8/363, 373, 380;
D6/406.3, 406.4, 406.5, 406.6; D12/415
(Continued)

(56) **References Cited**

U.S. PATENT DOCUMENTS

D413,872 S 9/1999 Jessen
6,980,420 B2 12/2005 Maskatia et al.
(Continued)

FOREIGN PATENT DOCUMENTS

WO 2016048565 3/2016

OTHER PUBLICATIONS

United States Patent and Trademark Office, Restriction Requirement issued in connection with U.S. Appl. No. 29/513,136, dated Feb. 22, 2016, 5 pages.

(Continued)

Primary Examiner — Angela J Lee

(74) *Attorney, Agent, or Firm* — Hanley, Flight and
Zimmerman, LLC

(57) **CLAIM**

The ornamental design for an electronic device and modular tablet stand, as shown and described.

DESCRIPTION

FIG. 1 is a back view of an electronic device with a modular tablet stand;

FIG. 2 is a side view of the electronic device and modular tablet stand of FIG. 1;

FIG. 3 is another side view of the electronic device and modular tablet stand of FIG. 1;

FIG. 4 is a bottom view of the electronic device and modular tablet stand of FIG. 1;

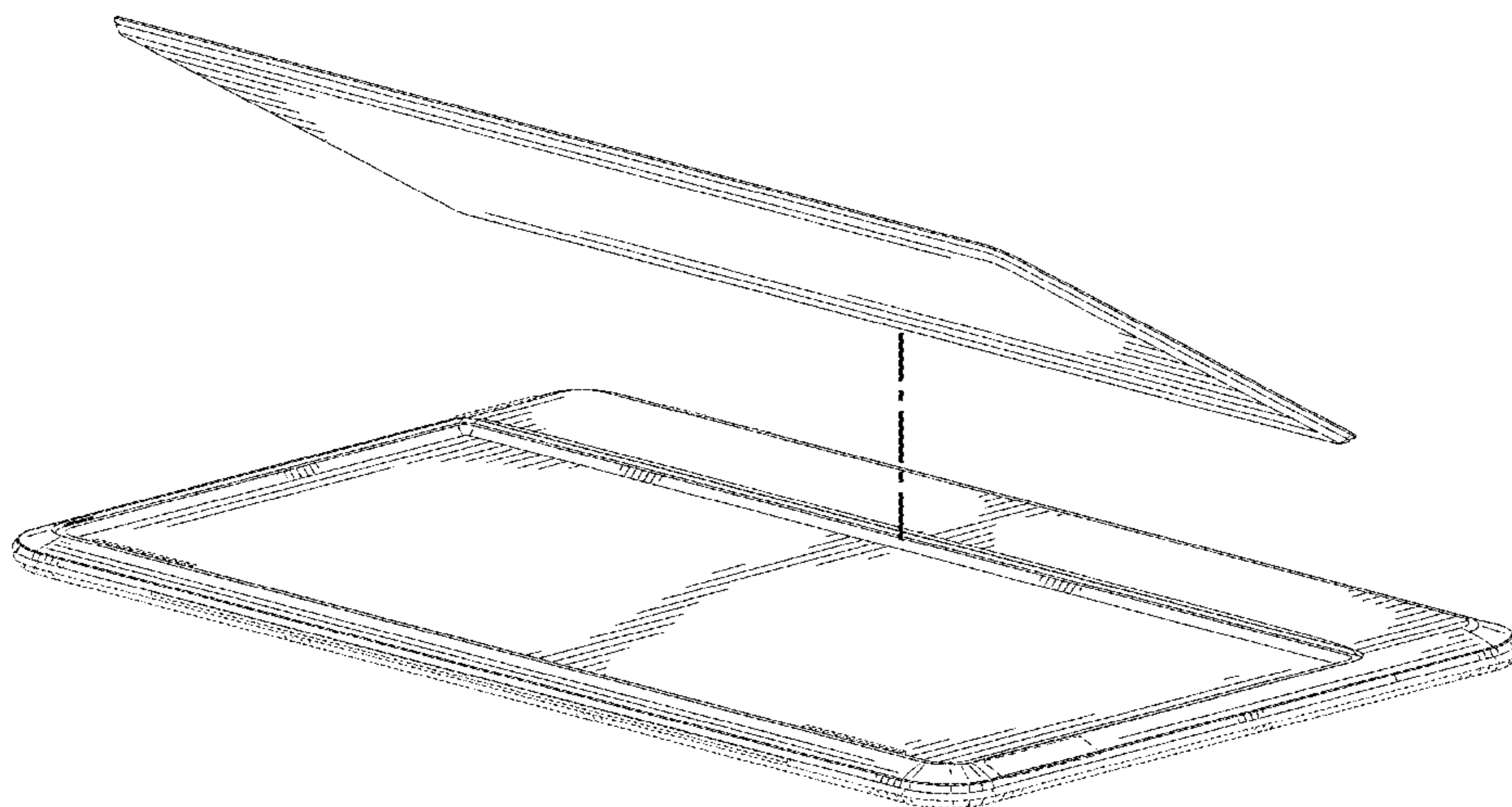
FIG. 5 is a perspective back view of the electronic device and modular tablet stand of FIG. 1, where the stand has been removed;

FIG. 6 is a perspective back view of the electronic device and modular tablet stand of FIG. 1, where the stand has been stored; and,

FIG. 7 is a perspective back view of the electronic device and modular tablet stand of FIG. 1, where the stand is deployed.

The broken lines of the FIGURES are for illustration only. The broken lines and the unshaded regions bounded by broken lines of the preceding FIGURES illustrate boundaries and, therefore, form no part of the claimed design. Line shading is not surface ornamentation.

1 Claim, 6 Drawing Sheets



(58) **Field of Classification Search**
 CPC A47B 21/04; A47B 2097/006; A47B
 2097/005; A47B 2023/049; A45C
 2011/002; A45C 2011/003; F16M
 2200/00; F16M 13/00

See application file for complete search history.

2009/0052296	A1	2/2009	Tracy et al.
2010/0177047	A1	7/2010	Brennenman et al.
2011/0299235	A1	12/2011	Liu et al.
2014/0009877	A1	1/2014	Okamoto et al.
2014/0165366	A1	6/2014	Hochman
2016/0094691	A1	3/2016	Okuley

(56) **References Cited**

U.S. PATENT DOCUMENTS

D557,698	S	12/2007	Lye	
D590,404	S	4/2009	Kim et al.	
D666,174	S *	8/2012	Du	D14/217
D667,831	S	9/2012	Stravitz	
D672,352	S	12/2012	Gengler	
D676,050	S *	2/2013	Sanz	D14/440
D676,853	S	2/2013	Gengler	
D678,886	S	3/2013	Heckler	
D692,010	S	10/2013	Vergheese	
D694,245	S	11/2013	Sanz	
D697,069	S	1/2014	Tak et al.	
D704,200	S *	5/2014	Rayner	D14/447
D714,793	S *	10/2014	Kim	D14/447
D716,817	S	11/2014	Yang	
D719,142	S *	12/2014	Lee	D14/239
D732,543	S	6/2015	Westrup et al.	
D733,155	S *	6/2015	van Hoof	D14/447
D746,292	S *	12/2015	Heckler	D14/447
D750,089	S *	2/2016	Langhein	D14/447
D755,796	S *	5/2016	Gibson	D14/447
D770,459	S *	11/2016	Yoo	D14/447
D771,052	S *	11/2016	Zheng	D14/434
D783,625	S	4/2017	Okuley	
D784,996	S *	4/2017	Fafard	D14/447
D786,259	S *	5/2017	Klabukov	D14/447
2002/0113751	A1	8/2002	Knopf	
2007/0076861	A1	4/2007	Ju	
2007/0164923	A1	7/2007	Kanai et al.	

OTHER PUBLICATIONS

United States Patent and Trademark Office, Non-final Office Action issued in connection with U.S. Appl. No. 29/513,136, dated May 11, 2016, 4 pages.

United States Patent and Trademark Office, Notice of Allowance issued in connection with U.S. Appl. No. 29/513,136, dated Oct. 21, 2016, 7 pages.

U.S. Appl. No. 29/592,421, "Electronic Device with a Modular Tablet Stand," filed Jan. 30, 2017, 7 pages.

International Searching Authority, International Search Report and Written Opinion issued in connection with International Application No. PCT/US2015/047051, dated Nov. 27, 2015, 12 pages.

United States Patent and Trademark Office, Non-Final Office Action issued in connection with U.S. Appl. No. 14/498,812, dated Jan. 6, 2016, 21 pages.

United States Patent and Trademark Office, Final Office Action issued in connection with U.S. Appl. No. 14/498,812 dated Jul. 7, 2016, 24 pages.

United States Patent and Trademark Office, Non-final Office Action issued in connection with U.S. Appl. No. 29/592,421, dated Jun. 15, 2017, 19 pages.

United States Patent and Trademark Office, "Advisory Action," issued in connection with U.S. Appl. No. 29/592,421, dated Mar. 16, 2018, 4 pages.

United States Patent and Trademark Office, "Notice of Allowance," issued in connection with U.S. Appl. No. 29/592,421, dated Apr. 4, 2018, 17 pages.

* cited by examiner

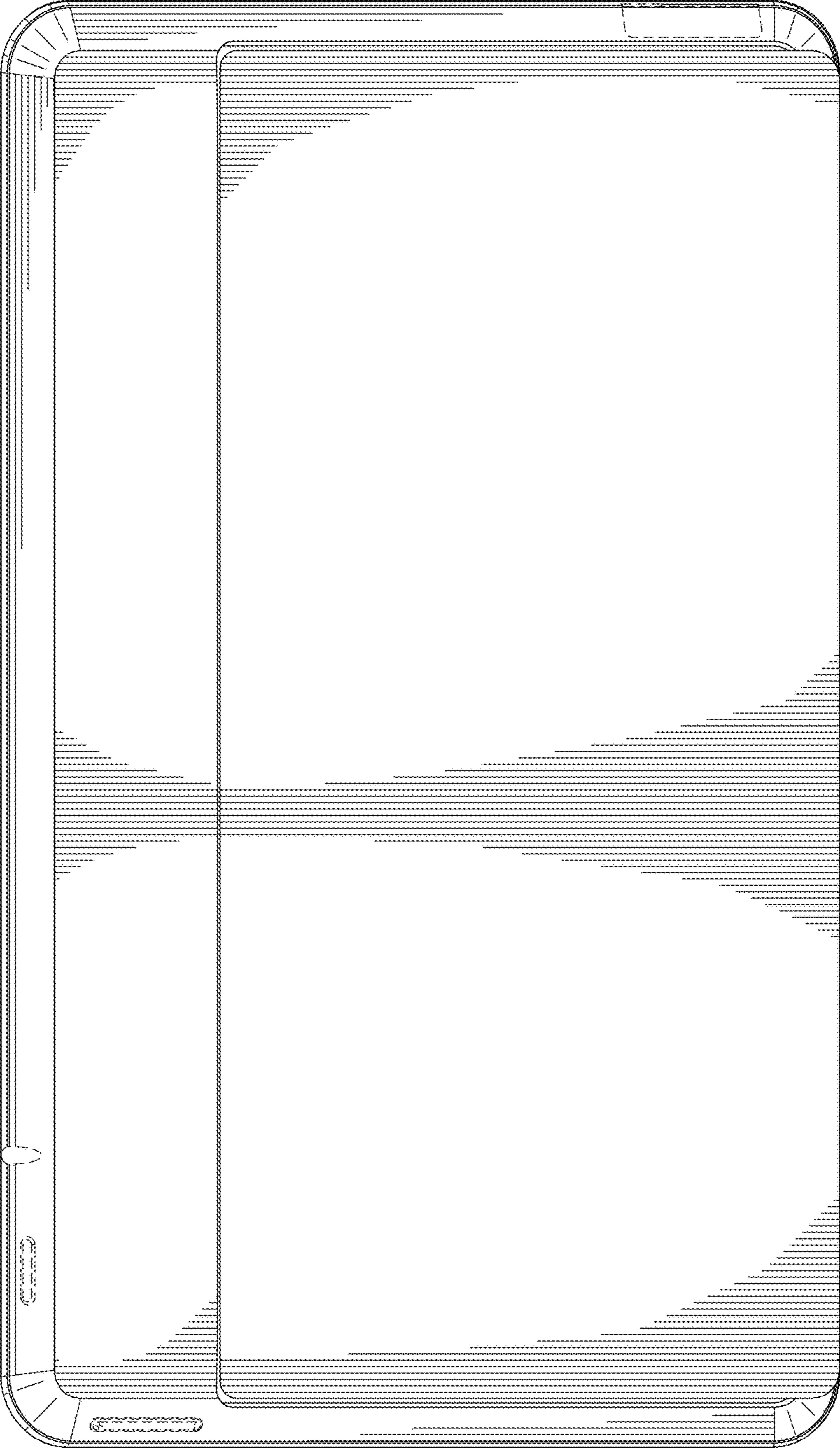


FIG. 1

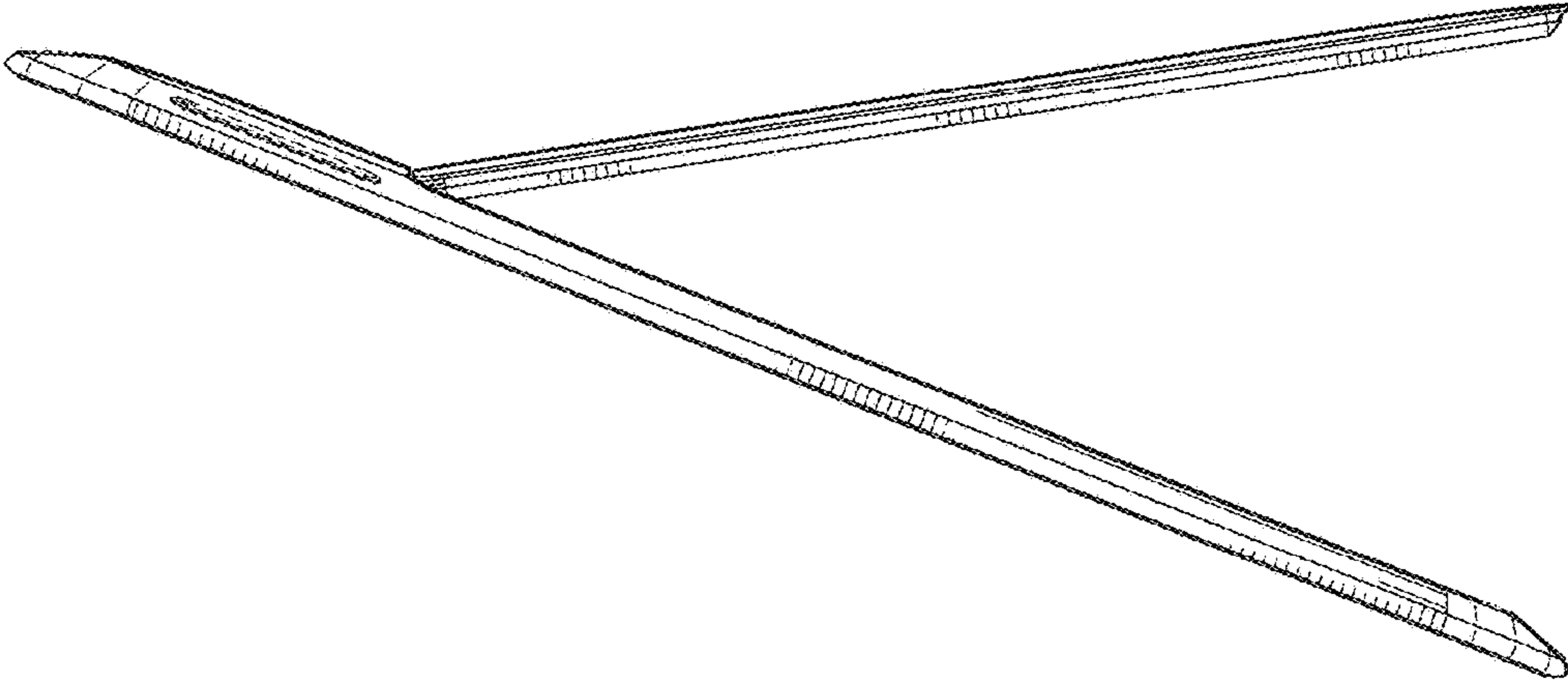


FIG. 3

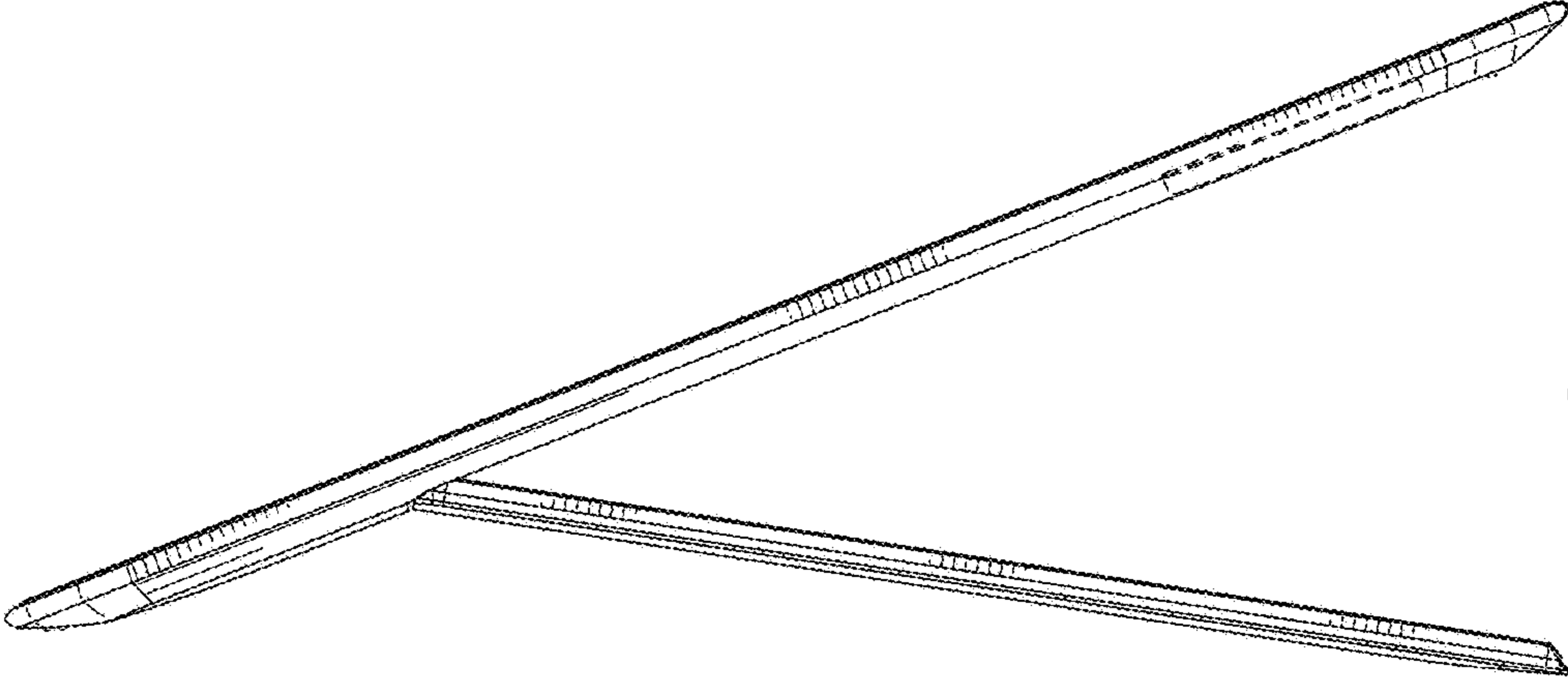


FIG. 2

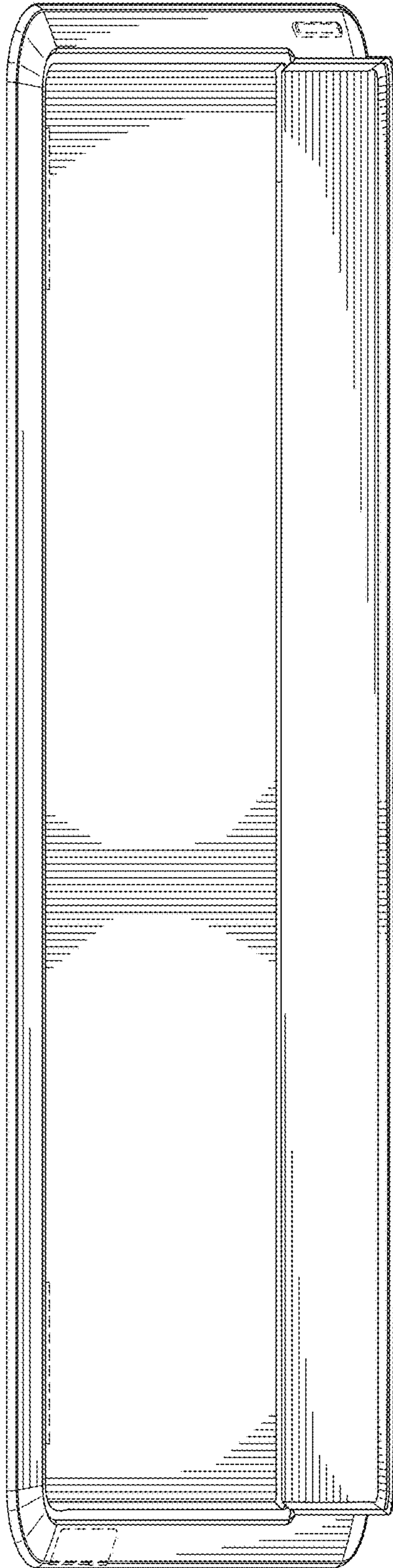


FIG. 4

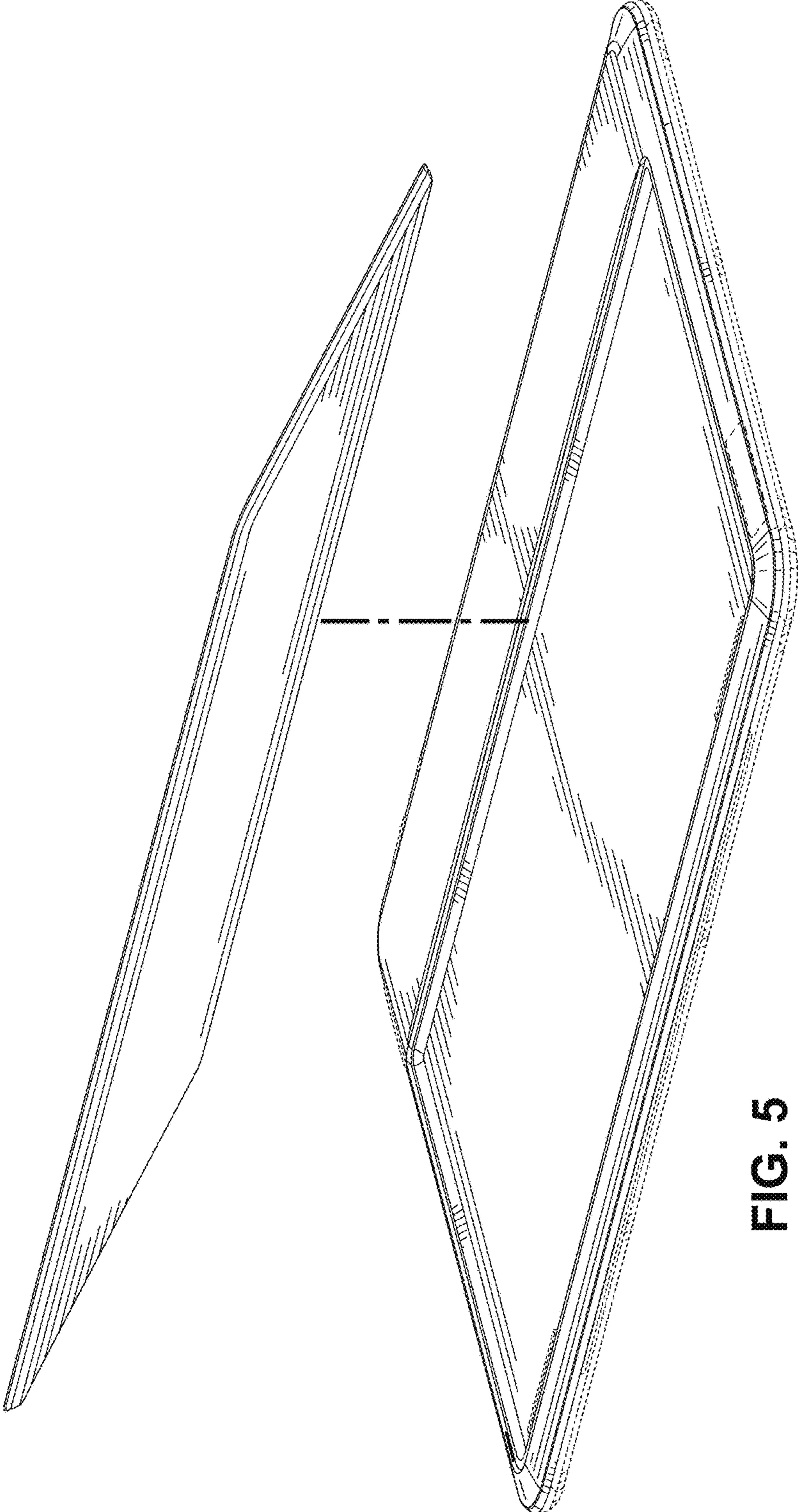


FIG. 5

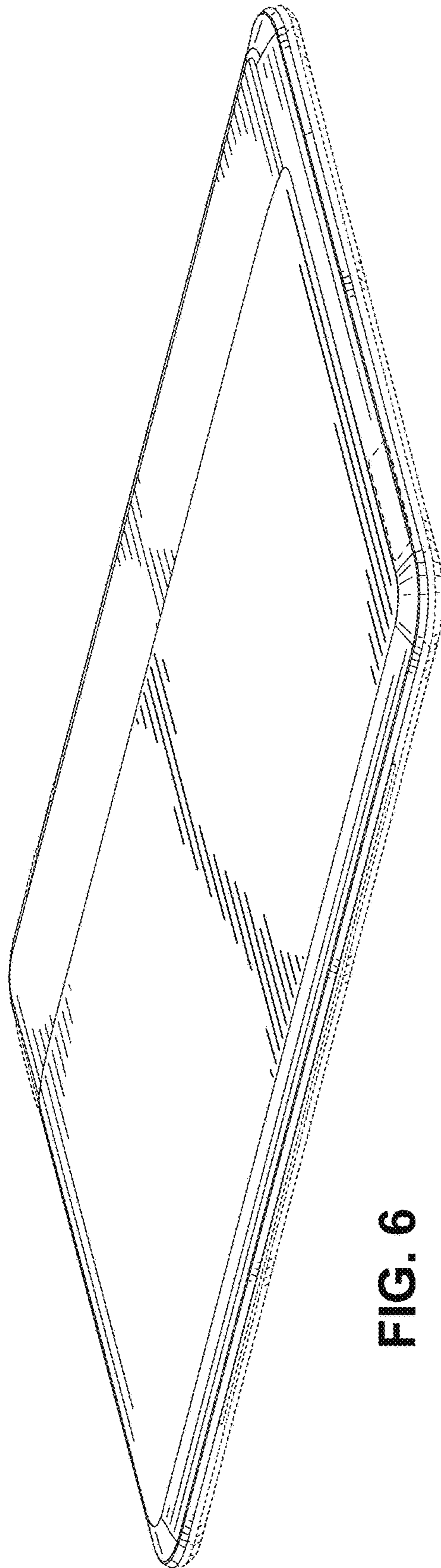


FIG. 6

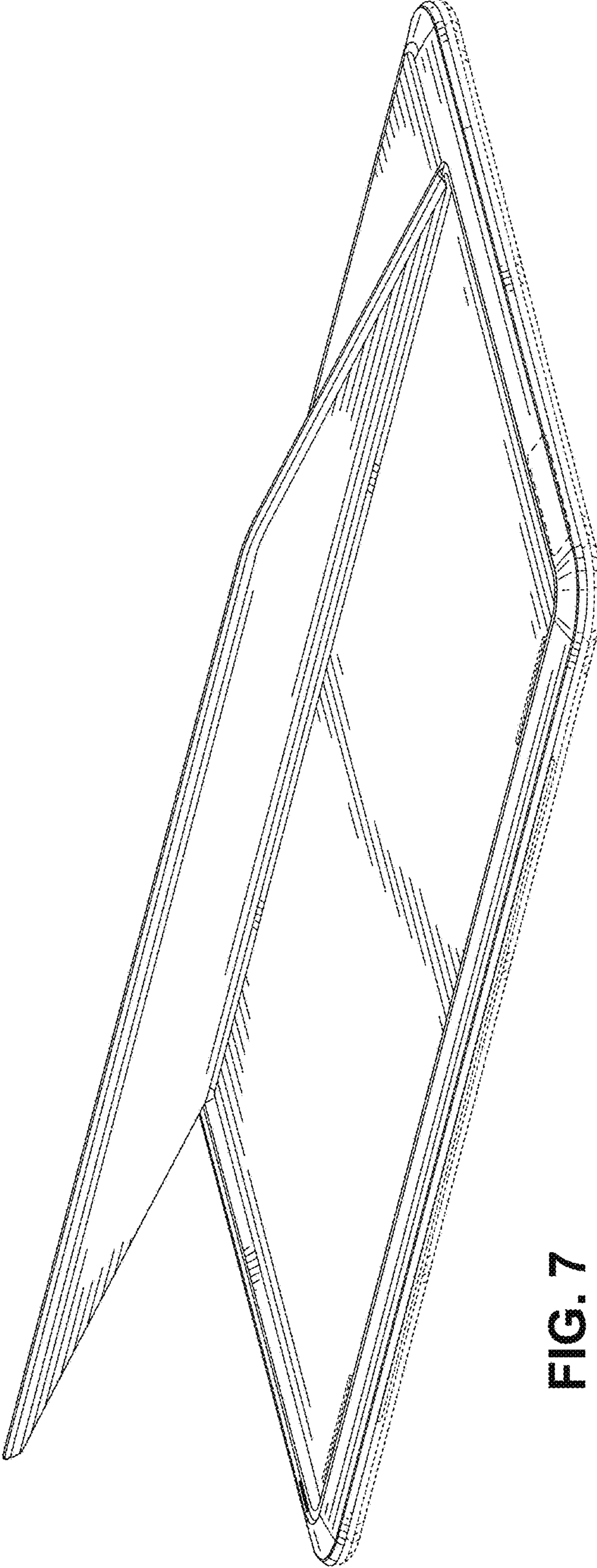


FIG. 7