



US00D848437S

(12) **United States Design Patent** (10) **Patent No.:** **US D848,437 S**
Chapuis et al. (45) **Date of Patent:** **** May 14, 2019**

(54) **HANDLES FOR A TABLET COMPUTER ENCLOSURE**

(71) Applicant: **June20, Inc.**, Hayward, CA (US)

(72) Inventors: **Paul Chapuis**, Woodside, CA (US);
Steven D. Penny, Oakland, CA (US)

(73) Assignee: **JUNE20, INC.**, Hayward, CA (US)

(**) Term: **15 Years**

(21) Appl. No.: **29/639,665**

(22) Filed: **Mar. 7, 2018**

(51) **LOC (11) Cl.** **14-02**

(52) **U.S. Cl.**
USPC **D14/440**

(58) **Field of Classification Search**
USPC D14/440; 206/45.23, 320, 45.2;
361/679.55; 294/25; 224/218
CPC ... G06F 1/1628; G06F 1/1626; A47B 23/044;
H04B 1/3888; H05K 5/0217
See application file for complete search history.

(56) **References Cited**

U.S. PATENT DOCUMENTS

D379,135 S *	5/1997	Vina	D7/543
6,016,248 A *	1/2000	Anzai	G06F 1/1626 248/463
D441,996 S *	5/2001	Wright	D6/525
D451,305 S	12/2001	Chang et al.		
D471,398 S *	3/2003	Swinford	D7/360
D508,818 S *	8/2005	Hawkins	D7/360
D520,239 S *	5/2006	Rand	D3/304
D591,083 S	4/2009	Singler et al.		
D591,979 S	5/2009	Singler et al.		
D608,150 S *	1/2010	Lilly	D7/552.1

(Continued)

FOREIGN PATENT DOCUMENTS

CN 102334864 A 2/2012
CN 103653987 A 3/2014

(Continued)

OTHER PUBLICATIONS

Design U.S. Appl. No. 29/639,664, filed Mar. 7, 2018.

(Continued)

Primary Examiner — Cynthia R Underwood

(74) *Attorney, Agent, or Firm* — Vierra Magen Marcus LLP

(57) **CLAIM**

The ornamental design for handles for a tablet computer enclosure, as shown and described.

DESCRIPTION

FIG. 1 is a front perspective view of handles for a tablet computer enclosure.

FIG. 2 is a front elevation view the handles for a tablet computer enclosure.

FIG. 3 is rear elevation view of the handles for a tablet computer enclosure.

FIG. 4 is a top view of the handles for a table computer enclosure. A bottom view of the handles for a table computer enclosure is a mirror image of FIG. 4.

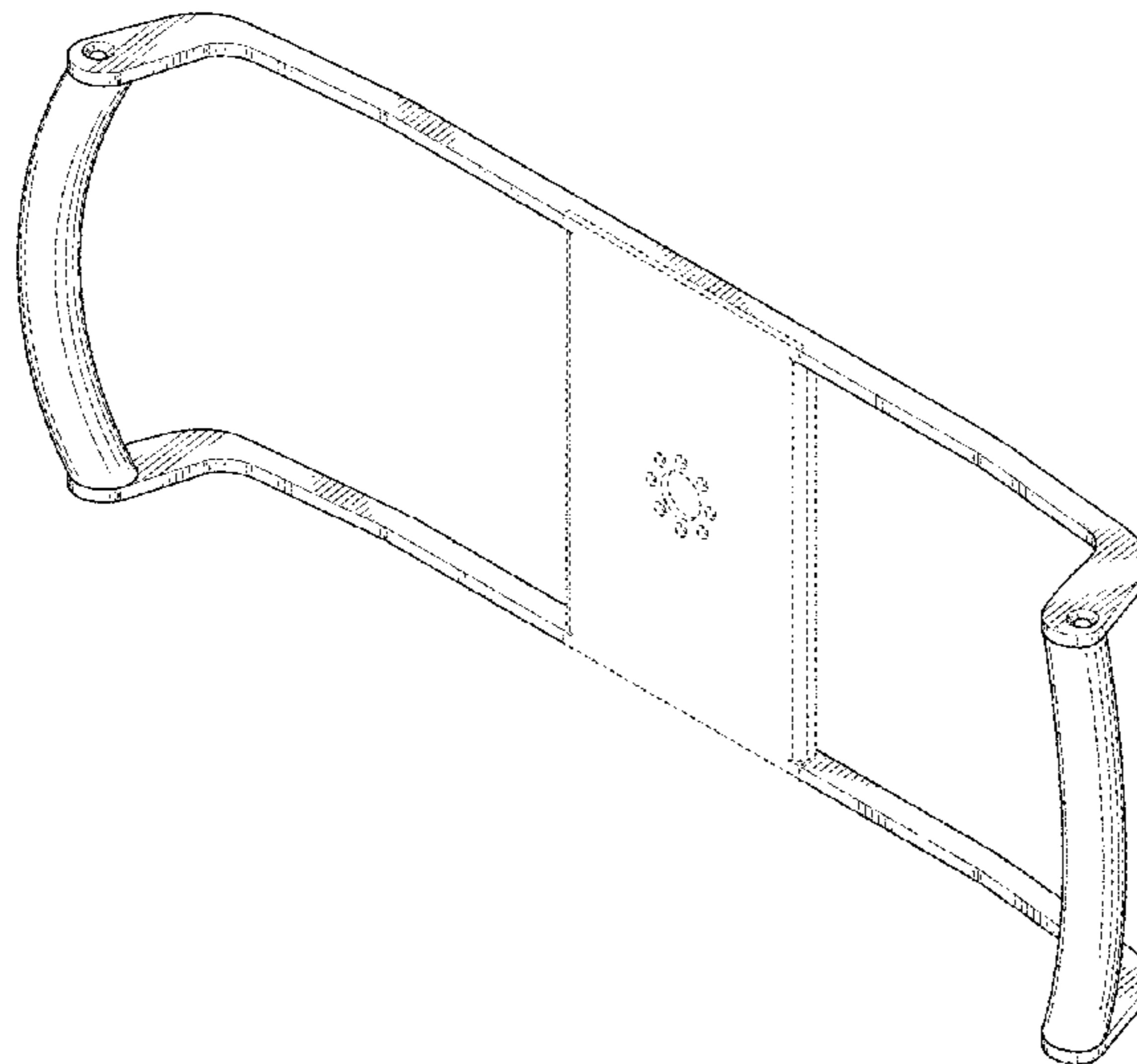
FIG. 5 is a right side view of the handles for a table computer enclosure. A left side view of the handles for a table computer enclosure is a mirror image of FIG. 5; and,

FIG. 6 is front perspective view of the handles for a tablet computer enclosure, attached to an exemplary tablet computer enclosure.

In FIGS. 1-5 of the drawings, the broken lines represent unclaimed portions of the claimed design and form no part of the claimed design.

In FIG. 6 of the drawings, the broken lines depict unclaimed environment and form no part of the claimed design.

1 Claim, 5 Drawing Sheets



(56)

References Cited

U.S. PATENT DOCUMENTS

D609,900 S * 2/2010 Behar D3/201
 7,701,339 B2 4/2010 Irmischer et al.
 D643,234 S 8/2011 Daino
 D645,282 S 9/2011 Daino
 8,401,915 B1 3/2013 Kim
 D680,546 S * 4/2013 Tang D14/440
 D686,626 S * 7/2013 Tan D14/440
 D705,763 S * 5/2014 Fastman D14/250
 8,752,718 B2 6/2014 Stukenberg et al.
 D713,658 S 9/2014 Tio et al.
 D717,304 S * 11/2014 Yturralde D14/250
 D727,666 S 4/2015 Wagemans et al.
 D734,965 S 7/2015 Tio et al.
 D736,020 S 8/2015 Martell et al.
 D741,091 S 10/2015 Tio et al.
 D758,773 S 6/2016 Kim et al.
 D761,261 S * 7/2016 Chen D14/420
 9,395,037 B2 7/2016 Ballhatchet
 D762,630 S * 8/2016 Shin D14/250
 D769,651 S 10/2016 Tio et al.
 D770,203 S 11/2016 Thaler et al.
 D787,239 S 5/2017 Denby et al.
 D790,261 S 6/2017 Rogers
 9,687,090 B2 6/2017 Ireland et al.
 D794,036 S * 8/2017 Hennings D14/250
 D796,234 S 9/2017 Thaler et al.
 D807,086 S 1/2018 Tio et al.
 D807,890 S * 1/2018 Roberts G09F 19/02
 D810,751 S * 2/2018 Aryeh D14/440
 D812,622 S * 3/2018 Moon D14/440
 D812,946 S 3/2018 Chang et al.
 D815,864 S 4/2018 Burton et al.
 D817,334 S * 5/2018 Fenton D14/440
 D826,237 S * 8/2018 Cadalora B62D 1/105
 D829,720 S * 10/2018 Zhang D14/440
 D830,368 S * 10/2018 Zhang D14/440
 D834,026 S * 11/2018 Moore D14/440
 D834,027 S * 11/2018 Chapuis G09F 19/02
 D834,582 S * 11/2018 Zhuang D14/440

2009/0109130 A1 4/2009 Murphy et al.
 2011/0187531 A1 8/2011 Oehl et al.
 2012/0005222 A1 1/2012 Bhagwan et al.
 2012/0232937 A1 9/2012 Calman et al.
 2013/0117153 A1 5/2013 Shen
 2014/0310056 A1 10/2014 Alapati et al.
 2015/0371321 A1 12/2015 Chapuis

FOREIGN PATENT DOCUMENTS

CN 204599980 U 9/2015
 CN 304176357 S 6/2017
 FR 992836-004 8/1999
 JP 2005204815 A 8/2005
 KR 10-20130023520 A 3/2013
 RO 016582-0001 3/2006
 RU 59706 7/2006
 WO D082444-002 4/2014

OTHER PUBLICATIONS

Design U.S. Appl. No. 29/641,209, filed Mar. 20, 2018.
 Design U.S. Appl. No. 29/641,252, filed Mar. 20, 2018.
 Design U.S. Appl. No. 29/641,234, filed Mar. 20, 2018.
 Design U.S. Appl. No. 29/640,276, filed Mar. 13, 2018.
 Design U.S. Appl. No. 29/639,666, filed Mar. 7, 2018.
 Versa Products, Inc., "Versa Center", <https://www.versatables.com/education/versa-center/>, retrieved May 30, 2018.
 Gartner, "Sliding Monitors", <https://web.archive.org/web/20130607163354/http://www.michaelgartner.com/>, dated by web.archive.org at Jun. 7, 2013, pp. 1-5 Accessed Nov. 21, 2017 (Year: 2013).
 JUNE20, Inc., Test Display at Sam's Club, May 2016, Arkansas, US.
 JUNE20, Inc., Test Display at Staples, Dec. 2015, Canada.
 Mike Quinn, LinkedIn.com page, image of post "LM76 Whipser Slide Technology" WSP2 retrieved from Feb. 2, 2018.
 Design U.S. Appl. No. 29/647,762, filed May 15, 2018.
 Design U.S. Appl. No. 29/647,768, filed May 15, 2018.
 Office Action dated May 23, 2018 in U.S. Appl. No. 29/639,664, filed Mar. 7, 2018.

* cited by examiner

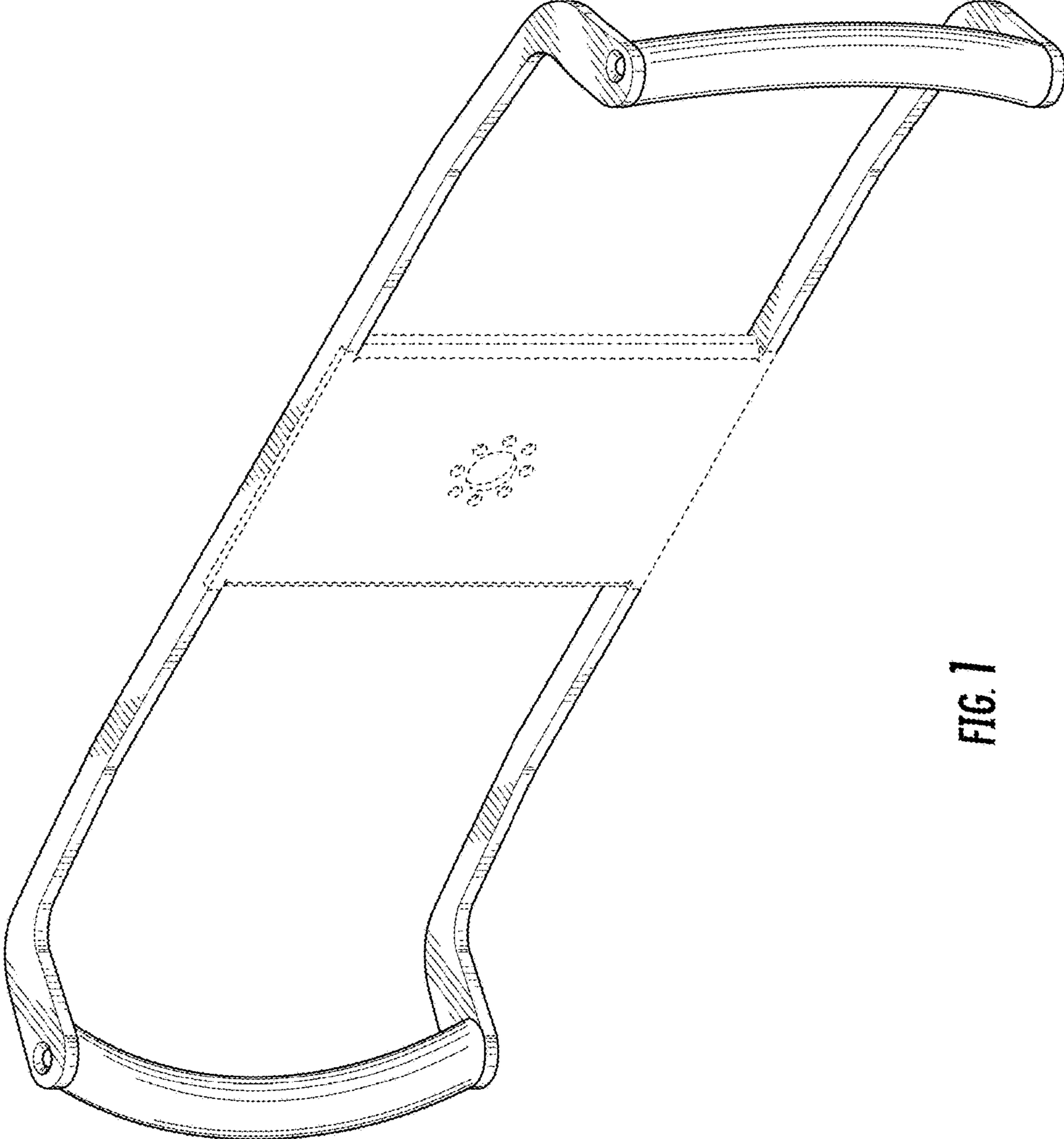


FIG. 1

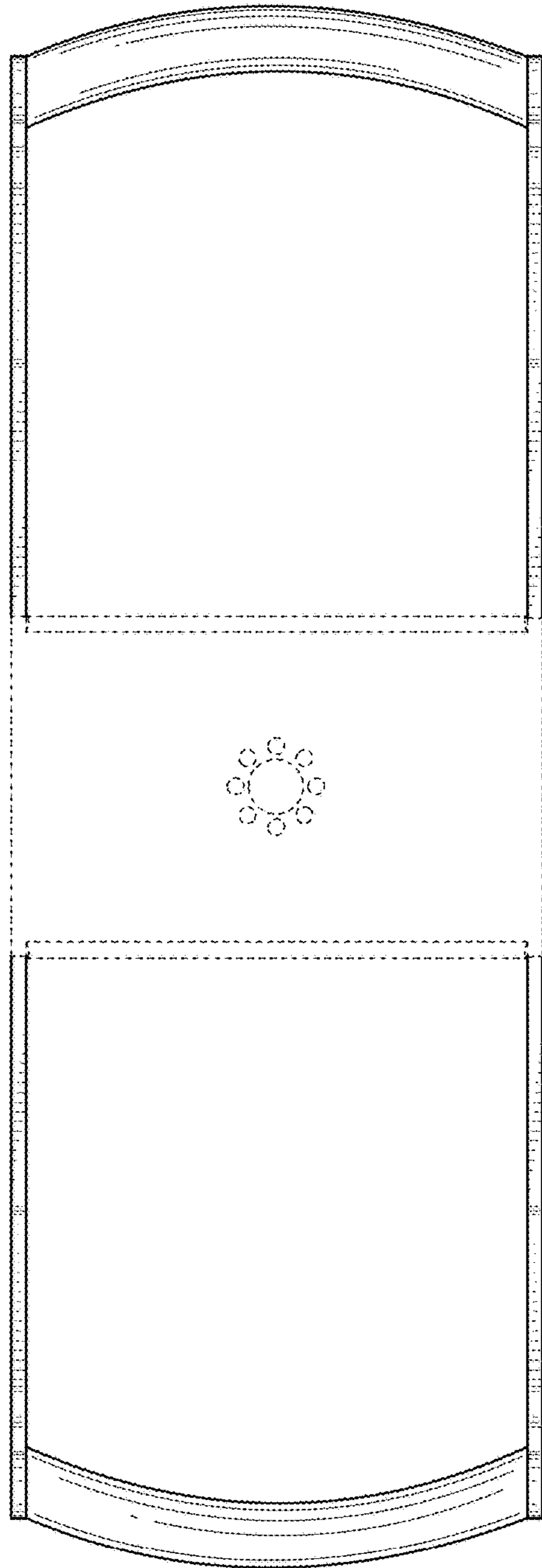


FIG. 2

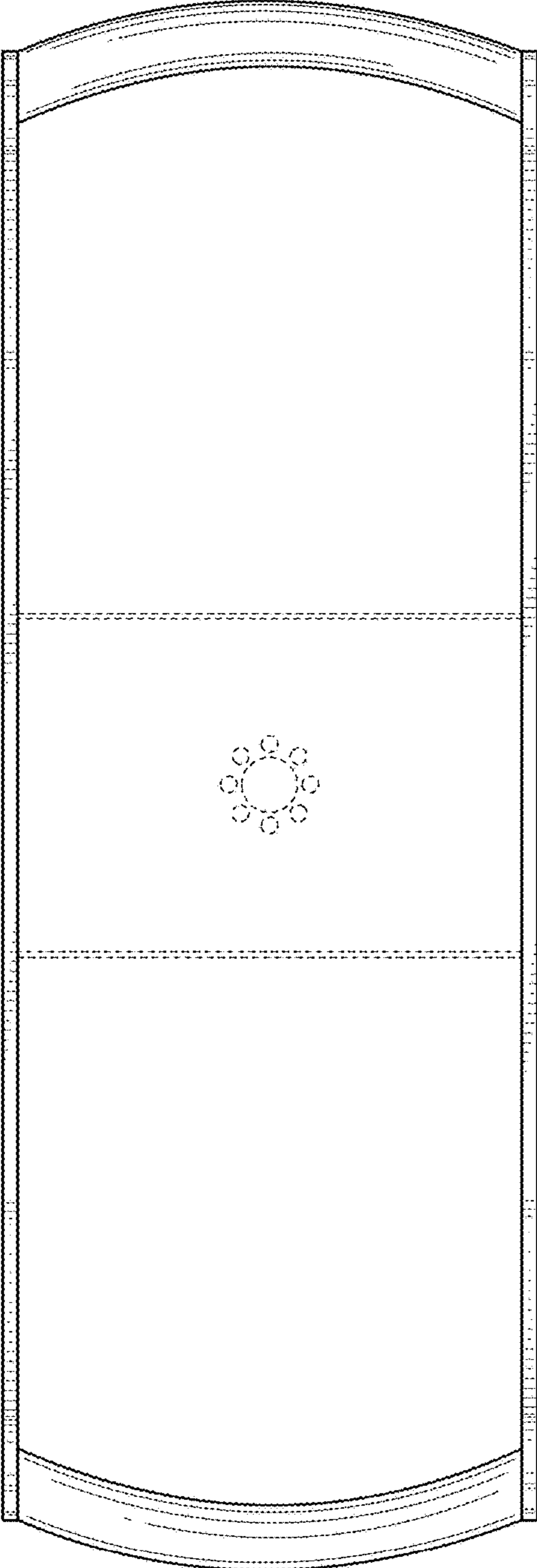


FIG. 3

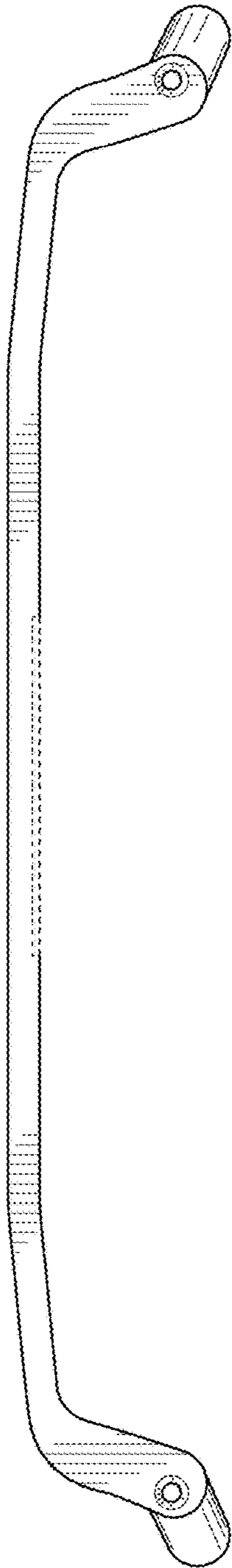


FIG. 4

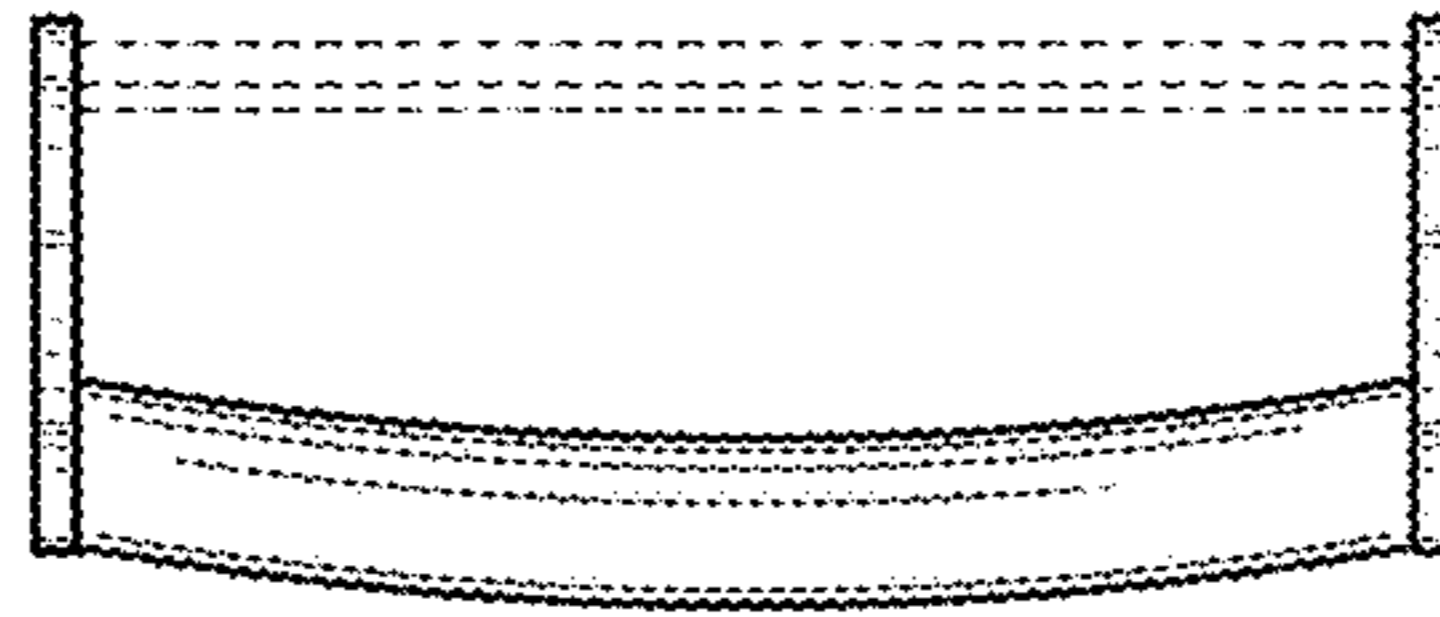


FIG. 5

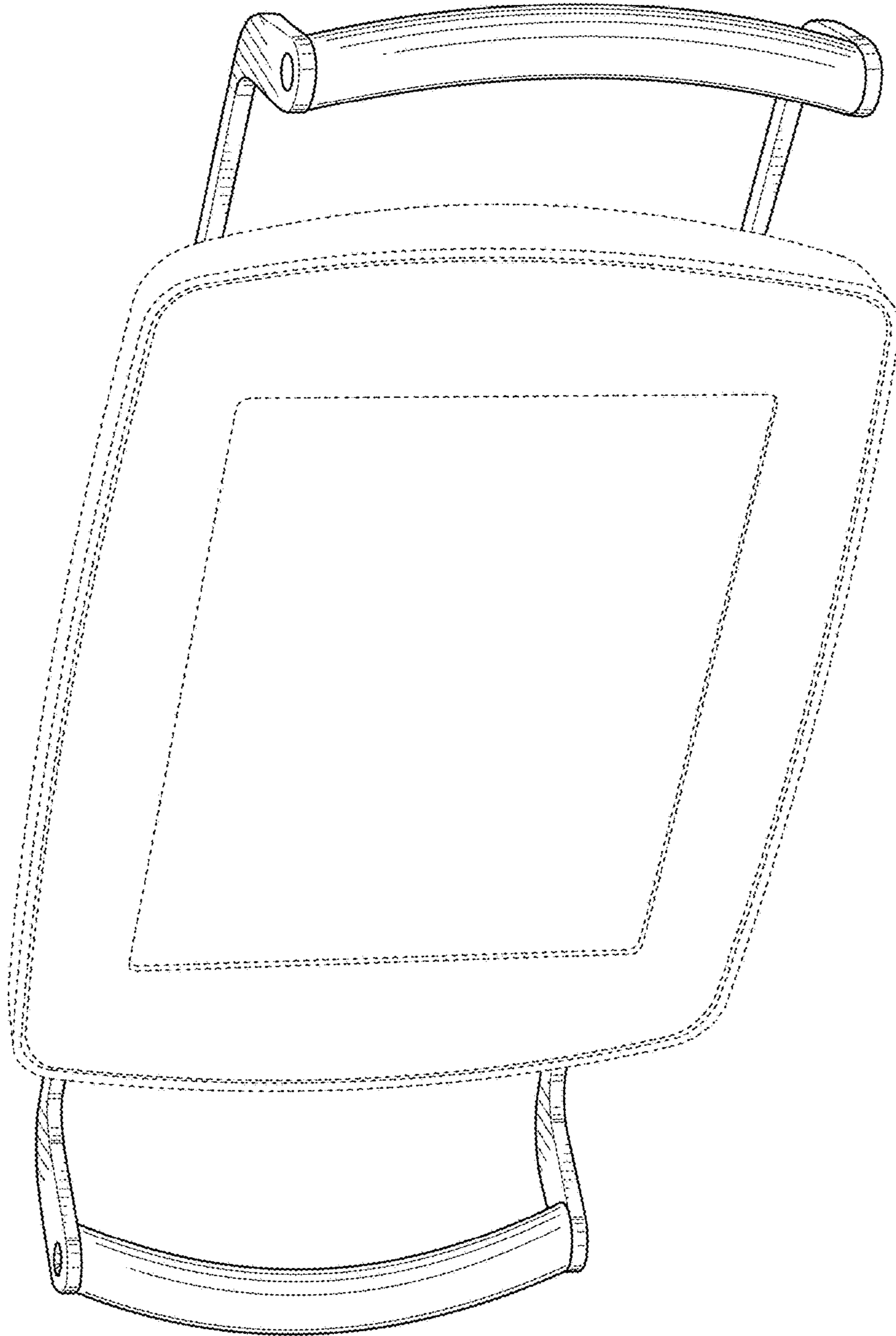


FIG. 6